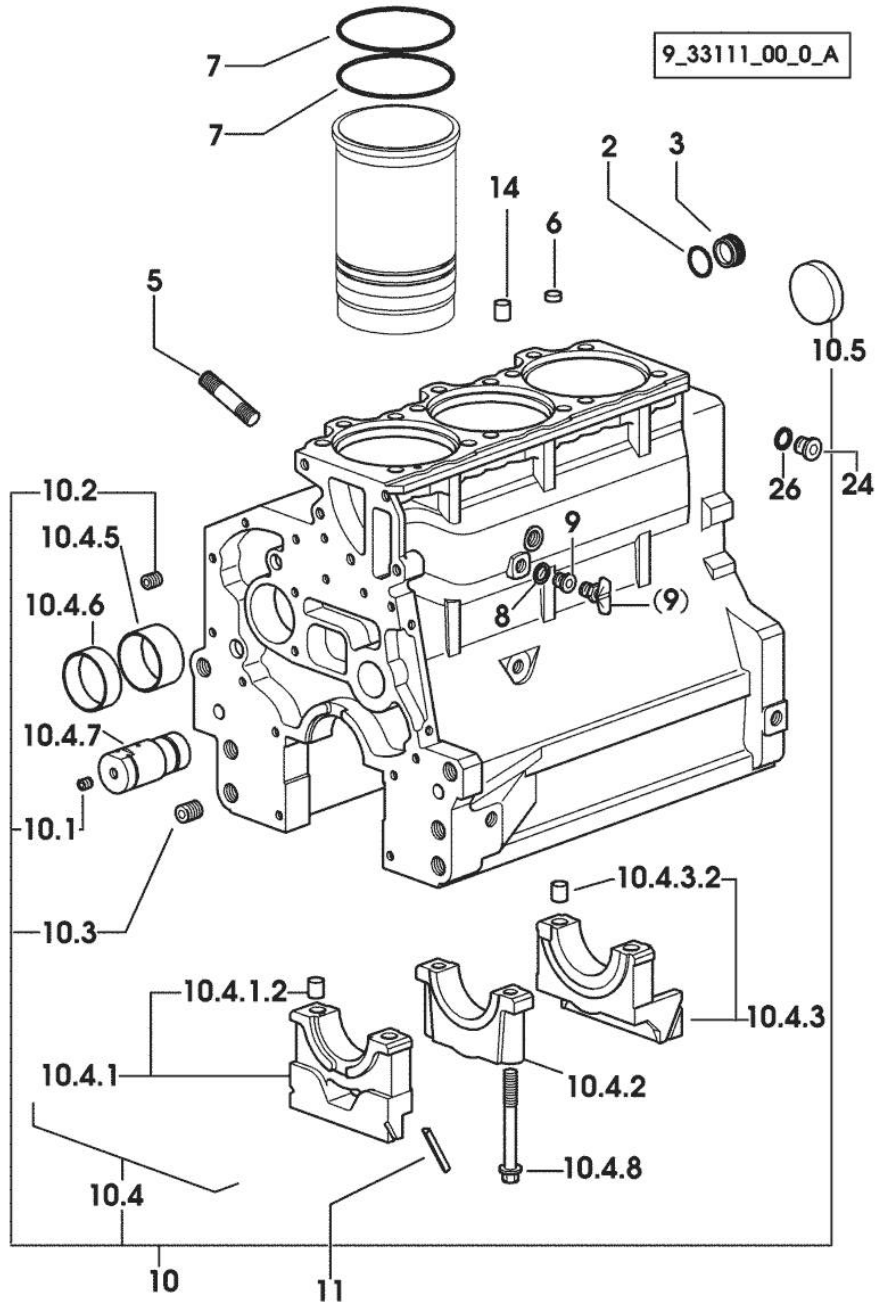


Section: ENGINE
ENGINE BEARING

| Fig. | P/n | QTY | Name |
|------|-----|-----|------|
|------|-----|-----|------|

Notes:
 [XA-656T]

| | | | |
|----------|-----------------|---|---------------------------------|
| 2 | 2.1539.047.0 | 1 | special oil seal 26.7x1.78 |
| 3 | 2.3199.405.2 | 1 | plug m 28 p.1.5 |
| 5 | 2.0432.003.7 | 9 | stud bolt m 8 p.1.25 / p.1 x 20 |
| 6 | 2.1559.188.2 | 3 | bush 11.4 x 14 x 16 |
| 7 | 2.1539.193.0 | 6 | special oil seal 107.62x2.62 |
| 8 | 2.1560.010.0 | 1 | gasket 14.2 x 20 |
| 9 | 2.3199.292.0 | 1 | plug 1/4" gas |
| 10 | 0.070.1110.6/20 | 1 | crankcase |
| 10.1 | 2.3130.001.1 | 9 | plug 1/8" gas |
| 10.2 | 2.3130.002.1 | 2 | plug 1/4" gas |
| 10.3 | 2.3130.003.1 | 2 | plug 3/8" gas |
| 10.4 | 0.000.0000.1 | | cannot be supplied |
| 10.4.1 | 0.065.1112.7 | 1 | support |
| 10.4.1.2 | 2.1699.165.0 | 1 | bush 12.3x15x16 |
| 10.4.2 | 0.065.1114.0/10 | 2 | support |
| 10.4.3 | 0.065.1116.3 | 1 | support |
| 10.4.3.2 | 2.1699.165.0 | 1 | bush 12.3x15x16 |
| 10.4.5 | 0.065.1140.0 | 3 | special bushing 59X55X20 |
| 10.4.6 | 0.065.1141.0 | 1 | special bushing 59X55X30 |
| 10.4.7 | 0.066.1151.0 | 1 | pin |
| 10.4.8 | 0.065.1117.0 | 8 | screw m 12 x 100 |
| 10.5 | 2.3179.012.0 | 1 | plug 60 |
| 11 | 0.066.1152.0/10 | 4 | gasket |
| 14 | 2.1549.154.2 | 3 | bush 4.8x5.8x16 |
| 24 | 2.3120.101.0 | 1 | plug m 18 p.1.5 |
| 26 | 2.1560.014.0 | 1 | washer 18.2 x 24 |



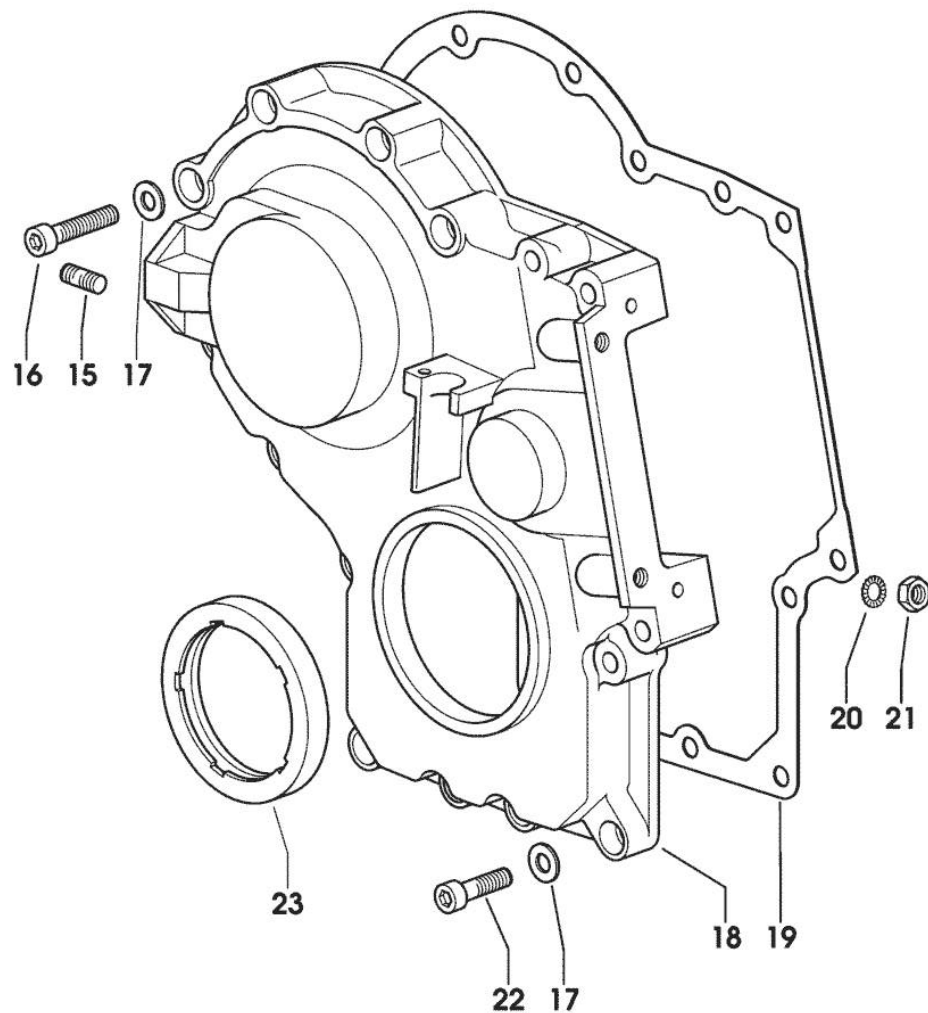
9_33111_00_0_B

XA-656T

Ref: 01.00.5

Section: ENGINE

TIMING CASE



| Fig. | P/n | QTY | Name |
|------|-----|-----|------|
|------|-----|-----|------|

Notes:
[XA-656T]

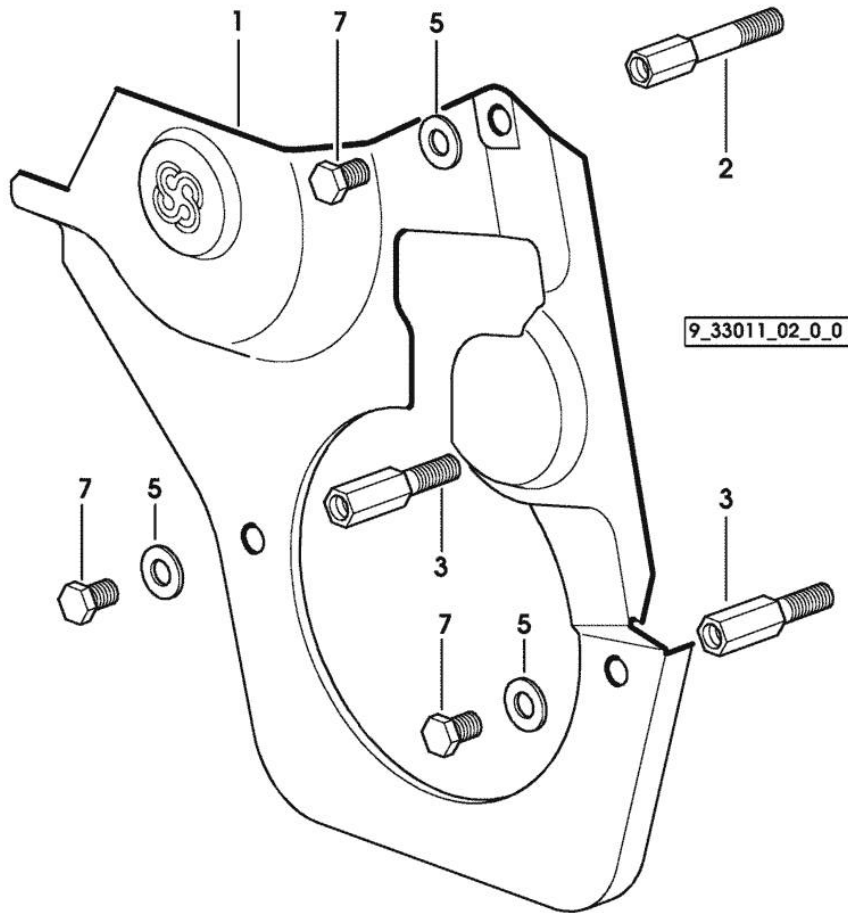
| | | | |
|----|-----------------|----|--|
| 15 | 2.0432.003.7 | 2 | stud bolt m 8 p.1.25 / p.1 x 20 |
| 16 | 2.0312.214.2 | 7 | screw m 8 p.1.25 x 40 |
| 17 | 2.1480.014.1 | 15 | washer 8 |
| 18 | 0.013.4981.0 | 1 | guard X XA-655 -> 1013 X XA-656T |
| 18 | 0.065.1132.0/50 | 1 | guard 1012 <- X XA-656T |
| 19 | 0.065.1150.0/30 | 1 | gasket |
| 20 | 2.1470.004.2 | 4 | lock washer 8 |
| 21 | 2.1011.405.2 | 2 | nut m 8 p.1 |
| 22 | 2.0312.208.2 | 8 | screw m 8 p.1.25 x 25 |
| 23 | 2.1529.141.0 | 1 | special oil seal |

Section: ENGINE
GUARD PLATE

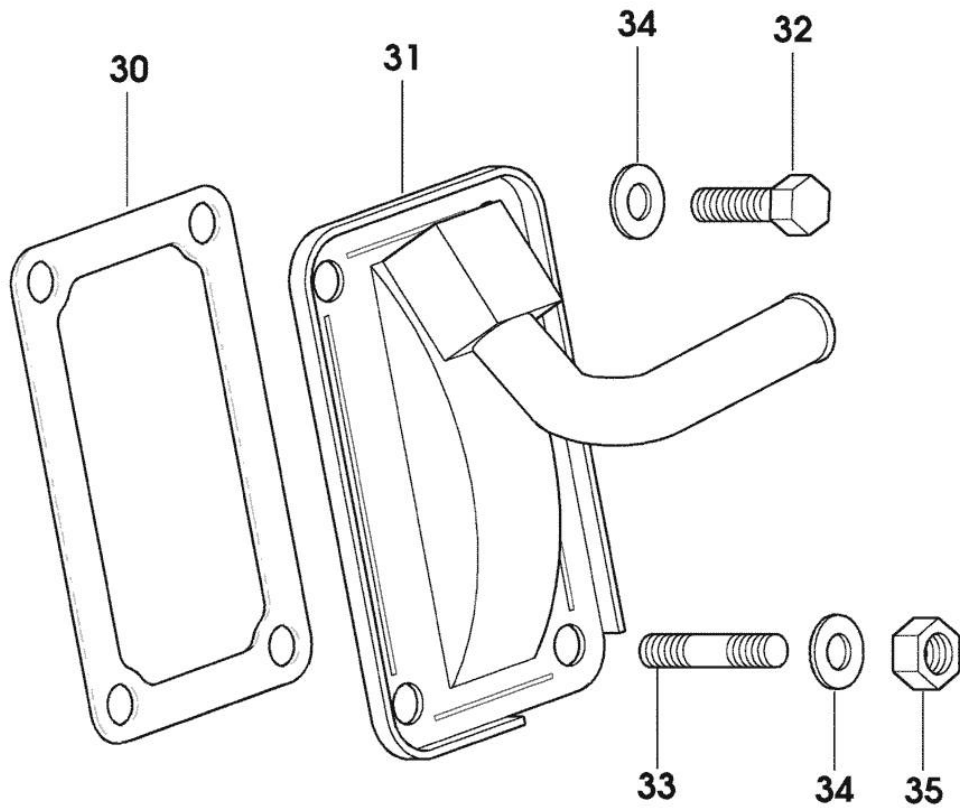
| Fig. | P/n | QTY | Name |
|------|-----|-----|------|
|------|-----|-----|------|

Notes:
 [XA-656T]

| | | | |
|---|-----------------|---|-------------------------------------|
| 1 | 0.007.1262.3/50 | 1 | guard |
| 2 | 0.007.1271.0/10 | 1 | small column m 8 p.1.25 / L = mm 60 |
| 3 | 0.007.1272.0/10 | 2 | small column m 8 p.1.25 / L = mm 50 |
| 5 | 2.1310.004.2 | 3 | flat washer 8.4x17 |
| 7 | 2.0112.203.2 | 3 | screw m 8 p.1.25 x 12 |



Section: ENGINE
CASING COVER



| Fig. | P/n | QTY | Name |
|------|-----|-----|------|
|------|-----|-----|------|

Notes:
 [XA-656T]

| | | | |
|----|-----------------|---|--------------------------------|
| 30 | 0.065.1152.0 | 1 | gasket |
| 31 | 0.010.7368.2/10 | 1 | cover |
| 32 | 2.0112.205.2 | 2 | screw m 8 p.1.25 x 16 |
| 33 | 2.0432.005.7 | 2 | stud bolt m 8 p.1.5 / p.1 x 25 |
| 34 | 2.1310.004.2 | 4 | flat washer 8.4x17 |
| 35 | 2.1011.405.2 | 2 | nut m 8 p.1 |

9_38811_01_0_0

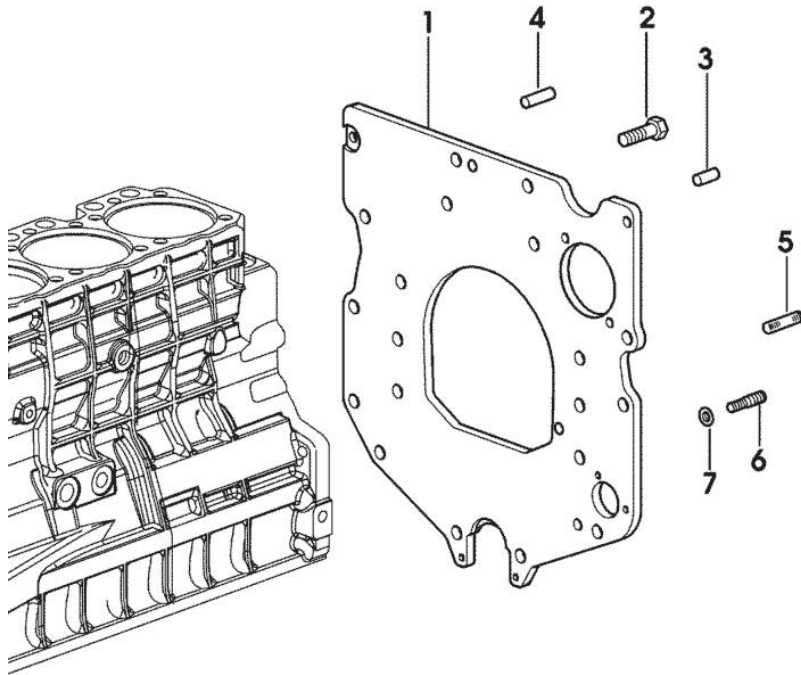
MONOBLOC ENGINE-GEARBOX CONNECTING FLANGE

9_37311_01_0_0

| Fig. | P/n | QTY | Name |
|------|-----|-----|------|
|------|-----|-----|------|

Notes:
[XA-656T]

| | | | |
|---|-----------------|---|-----------------------------------|
| 1 | 0.007.7752.0/30 | 1 | flange |
| 2 | 2.0112.511.2 | 8 | screw m 14 p.2 x 30 |
| 3 | 2.1651.912.0 | 2 | cylindrical plug 12x28 |
| 4 | 2.1651.917.0 | 1 | cylindrical plug 12x40 |
| 5 | 2.0432.257.7 | 1 | stud bolt m 12 p.1.75 - 1.25 x 30 |
| 6 | 2.0439.250.7 | 1 | stud bolt m 12 / m 10 x 30 |
| 7 | 0.011.9294.0/10 | 1 | bush |



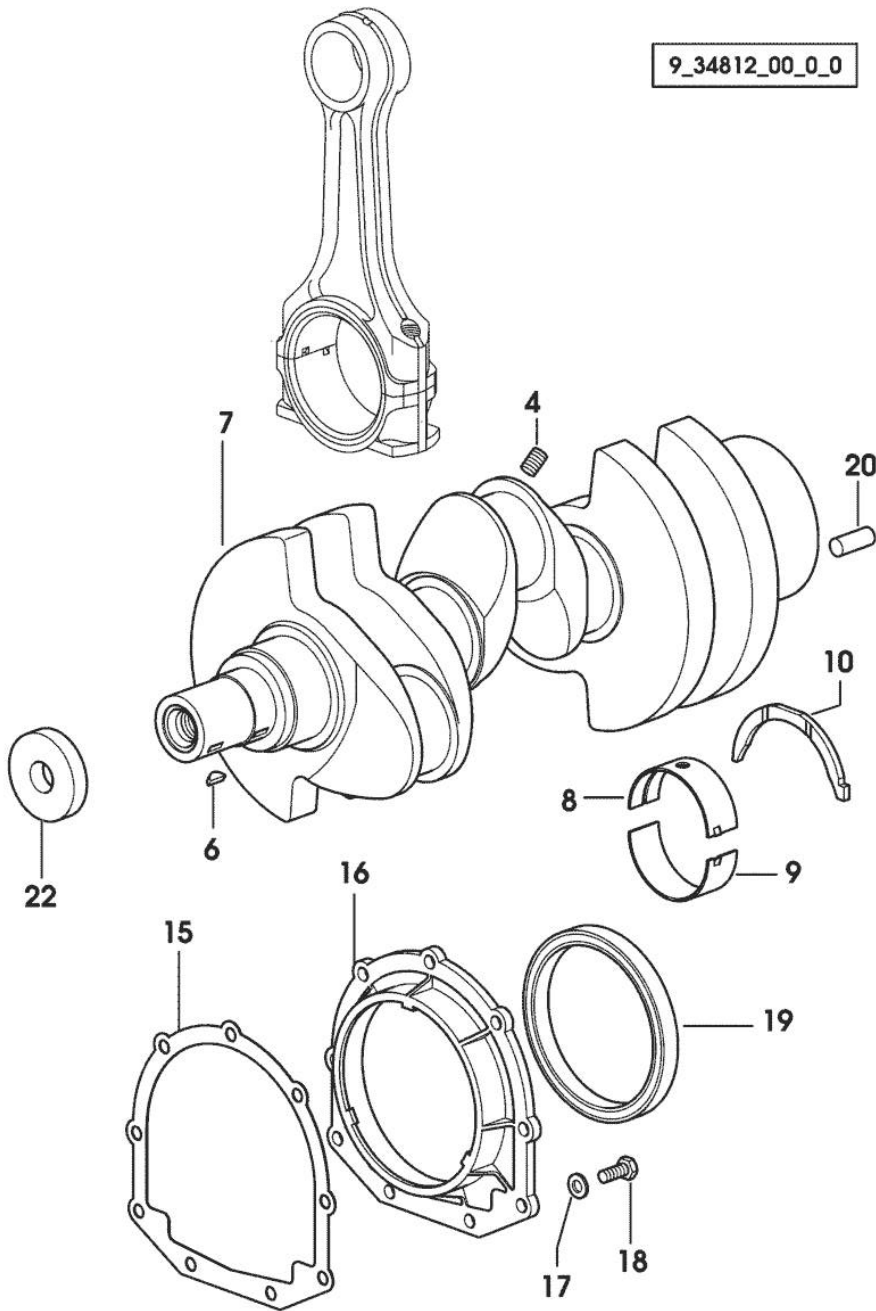
Section: ENGINE
CRANKSHAFT

9_34812_00_0_0

| Fig. | P/n | QTY | Name |
|------|-----|-----|------|
|------|-----|-----|------|

Notes:
 [XA-656T]

| | | | |
|----|-----------------|---|-----------------------------|
| 4 | 2.3130.001.1 | 3 | plug 1/8" gas |
| 6 | 2.1720.006.0 | 2 | key 4x6.5 |
| 7 | 0.007.1554.0/20 | 1 | crankshaft |
| 8 | 0.065.1215.0 | 4 | main half bushing STANDARD |
| 8 | 0.065.1215.7 | | main half bushing - mm 0.25 |
| 8 | 0.065.1215.8 | | main half bushing - mm 0.50 |
| 9 | 0.065.1216.0 | 4 | main half bushing |
| 9 | 0.065.1216.7 | | main half bushing - mm 0.25 |
| 9 | 0.065.1216.8 | | main half bushing - mm 0.50 |
| 10 | 0.065.1218.0 | 4 | shim STANDARD |
| 10 | 0.065.1218.7 | | shim + mm 0.10 |
| 10 | 0.065.1218.8 | | shim + mm 0.15 |
| 15 | 0.065.1254.0/20 | 1 | gasket |
| 16 | 0.007.1711.0/10 | 1 | cover |
| 17 | 2.1475.002.2 | 9 | conical washer 8 |
| 18 | 2.0112.207.2 | 9 | screw m 8 p 1.25 x 20 |
| 19 | 2.1529.073.0 | 1 | special oil seal 110x130x13 |
| 20 | 2.1651.915.0 | 1 | pin 12x35 |
| 22 | 2.1599.524.7 | 1 | washer 21x60x12 |



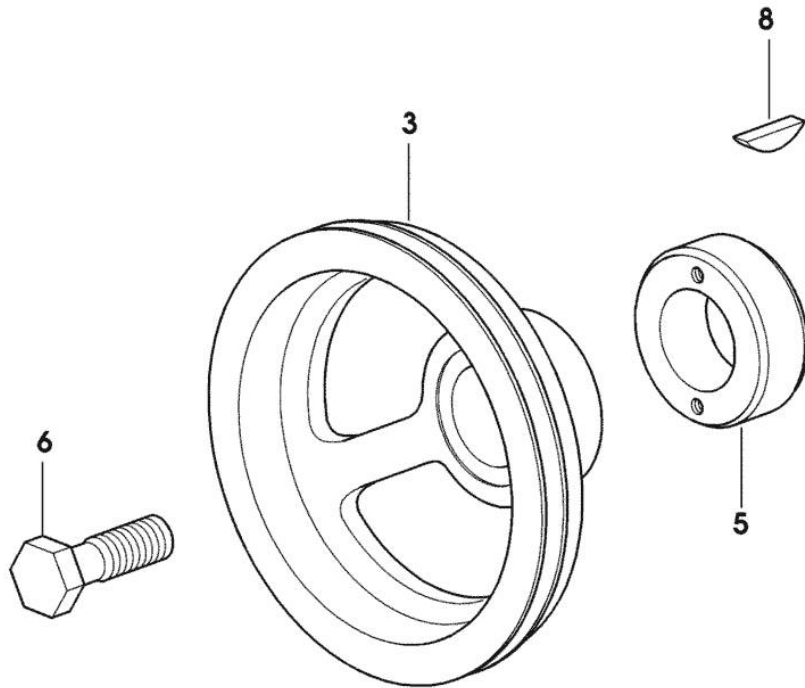
Section: ENGINE

CRANKSHAFT PULLEY

| Fig. | P/n | QTY | Name |
|------|-----|-----|------|
|------|-----|-----|------|

Notes:
[XA-656T]

| | | | |
|---|-----------------|---|---------------------|
| 3 | 0.007.1457.0/20 | 1 | pulley |
| 5 | 0.085.1248.0/10 | 1 | hub |
| 6 | 2.0399.144.7/10 | 1 | screw m 20 p.1.5x51 |
| 8 | 2.1720.006.0 | 1 | key 4x6.5 |



9_33312_02_0_0

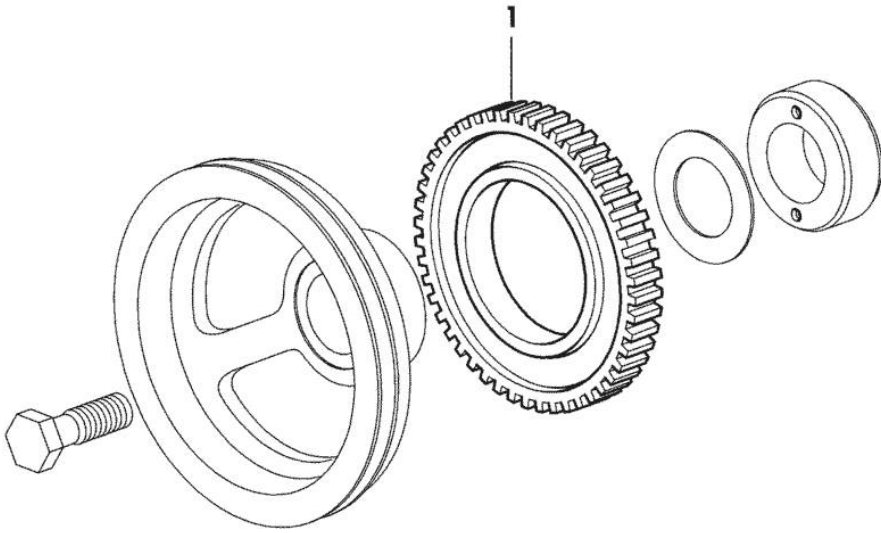
Section: ENGINE

PULSE WHEEL

| Fig. | P/n | QTY | Name |
|------|-----|-----|------|
|------|-----|-----|------|

Notes:
[XA-656T]

| | | | |
|---|--------------|---|-------------|
| 1 | 0.011.3531.0 | 1 | gear Z = 48 |
|---|--------------|---|-------------|



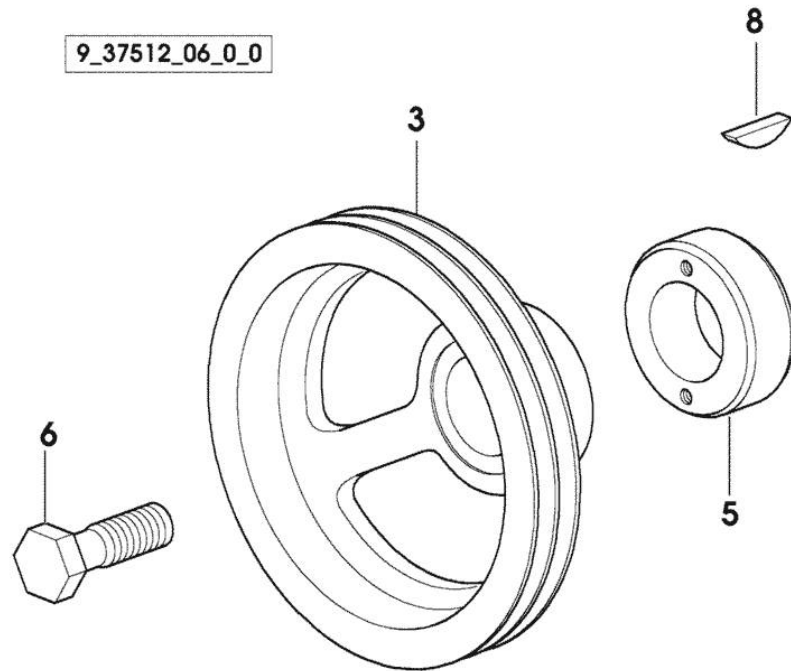
9_36812_05_0_0

PULLEY FOR ACCESSORIES

| Fig. | P/n | QTY | Name |
|------|-----|-----|------|
|------|-----|-----|------|

Notes:
[XA-656T]

| | | | |
|---|-----------------|---|---------------------|
| 3 | 0.007.1458.0/30 | 1 | pulley |
| 5 | 0.085.1248.0/10 | 1 | hub |
| 6 | 2.0399.144.7/10 | 1 | screw m 20 p.1.5x51 |
| 8 | 2.1720.006.0 | 1 | key 4x6.5 |

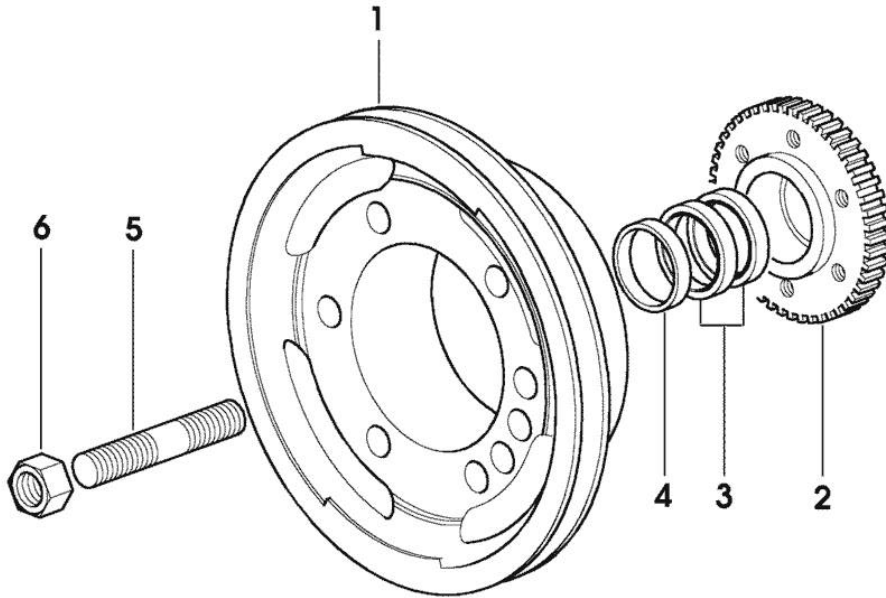


PROVISION FOR FRONT PTO MOUNTING

| Fig. | P/n | QTY | Name |
|------|-----|-----|------|
|------|-----|-----|------|

Notes:
[XA-656T]

| | | | |
|---|-----------------|---|-------------------------|
| 1 | 0.082.1244.0/10 | 1 | pulley |
| 2 | 0.011.3515.0/10 | 1 | hub Z = 48 |
| 3 | 0.065.1256.0 | 2 | ring 45x52 |
| 4 | 2.1579.865.0 | 1 | spacer 45.2x51.8x10 |
| 5 | 2.0439.195.7 | 1 | stud bolt m 20 p.1.5x80 |
| 6 | 2.1019.094.7 | 1 | nut m 20 p.1.5 |



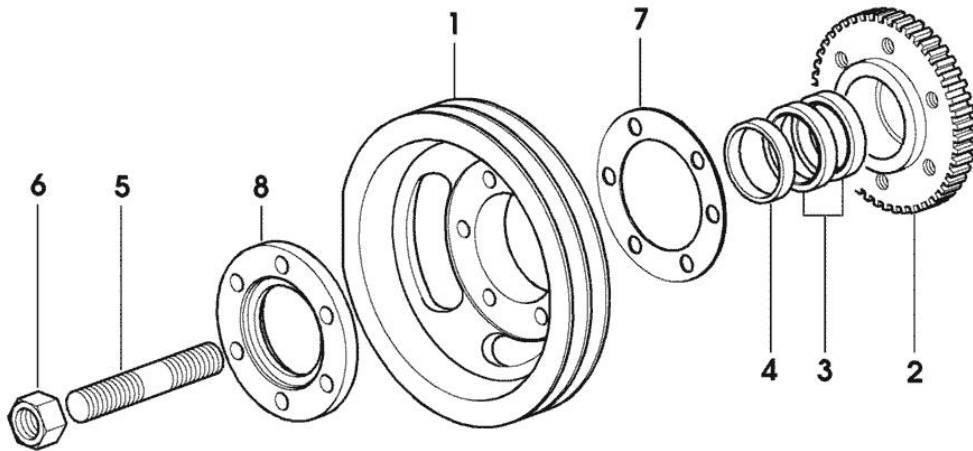
9_34512_07_0_0

PREDISPOSITION FOR FRONT PTO (MODELS WITH AIR CONDITIONING)

| Fig. | P/n | QTY | Name |
|------|-----|-----|------|
|------|-----|-----|------|

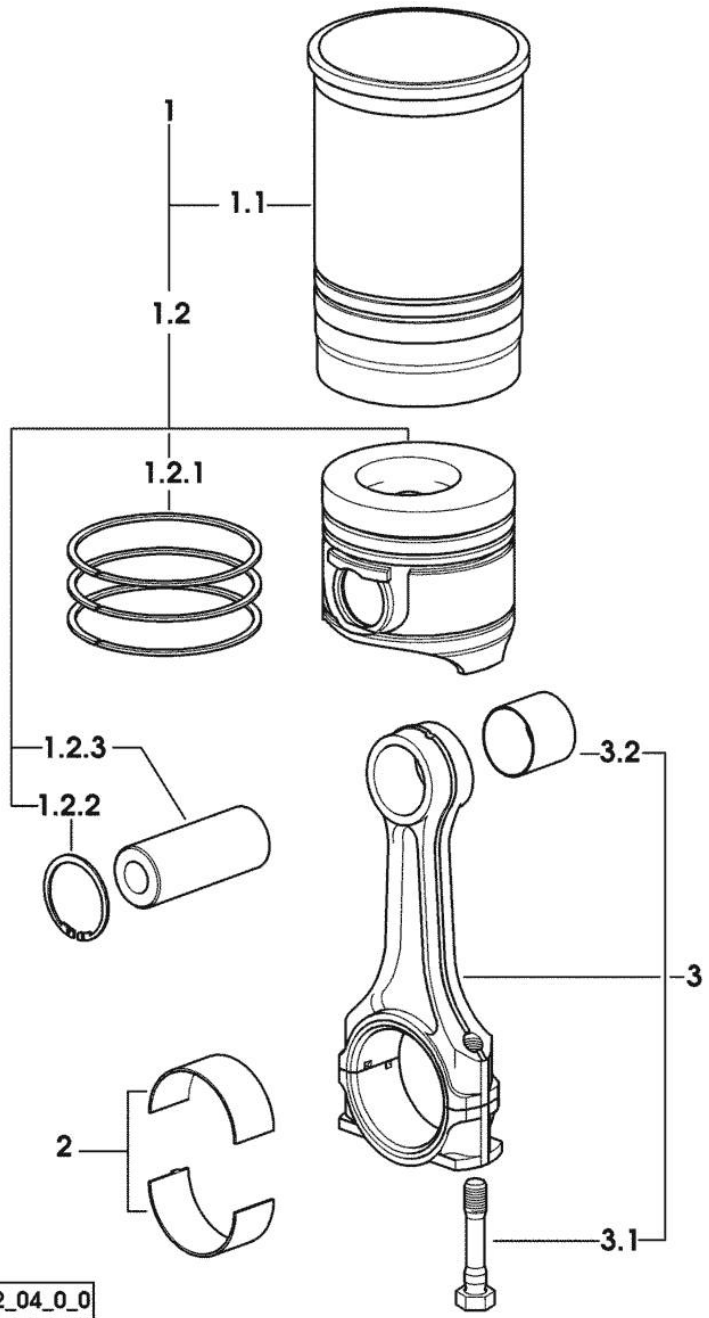
Notes:
[XA-656T]

| | | | |
|---|-----------------|---|-------------------------|
| 1 | 0.010.4274.0 | 1 | pulley |
| 2 | 0.011.3515.0/10 | 1 | hub Z = 48 |
| 3 | 0.065.1256.0 | 2 | ring 45x52 |
| 4 | 2.1579.865.0 | 1 | spacer 45.2x51.8x10 |
| 5 | 2.0439.195.7 | 1 | stud bolt m 20 p.1.5x80 |
| 6 | 2.1019.094.7 | 1 | nut m 20 p.1.5 |
| 7 | 2.1589.137.0 | 3 | shoulder ring 71x110x1 |
| 8 | 0.089.1253.0/10 | 1 | spacer |



9_37512_03_0_0

CYLINDER - PISTON - CONNECTING ROD



| Fig. | P/n | QTY | Name |
|------|-----|-----|------|
|------|-----|-----|------|

Notes:
[XA-656T]

| | | | |
|-------|-----------------|---|---|
| 1 | 0.386.0065.A | 3 | cyl. piston assembly "A" - CLASS A |
| 1 | 0.386.0065.B | 3 | cyl. piston assembly "B" - CLASS B |
| 1.1 | 0.011.0183.0/20 | 1 | engine cylinder 3772 <= X XA-655 1758 <= X XA-656T |
| 1.1 | 0.A12.2675.0 | 1 | engine cylinder "A" => 3773 X XA-655 => 1759 X XA-656T - CLASS A |
| 1.1 | 0.B12.2675.0 | 1 | engine cylinder "B" => 3773 X XA-655 => 1759 X XA-656T - CLASS B |
| 1.2 | 0.379.0060.6/10 | 1 | complete piston 3772 <= X XA-655 1758 <= X XA-656T |
| 1.2 | 0.379.0060.A | 1 | complete piston "A" => 3773 X XA-655 => 1759 X XA-656T - CLASS A |
| 1.2 | 0.379.0060.B | 1 | complete piston "B" => 3773 X XA-655 => 1759 X XA-656T - CLASS B |
| 1.2.1 | 0.086.0052.6/10 | 1 | piston ring set |
| 1.2.2 | 2.1411.014.1 | 2 | circlip 35 |
| 1.2.3 | 0.078.1236.0 | 1 | piston pin Ø 18 / Ø 35 / L = mm 86 |
| 2 | 0.065.1225.0 | 6 | con.rod half bushing STANDARD - A = 28.75 -> 29.00 |
| 2 | 0.065.1225.7 | 6 | con.rod half bushing - mm 0.25 |
| 2 | 0.065.1225.8 | 6 | con.rod half bushing - mm 0.50 |
| 3 | 0.078.1220.3/30 | 3 | engine connecting rod |
| 3.1 | 2.0399.213.0 | 2 | screw m 12 p.1.25x61.5 |
| 3.2 | 2.1559.114.0/10 | 1 | special bushing |

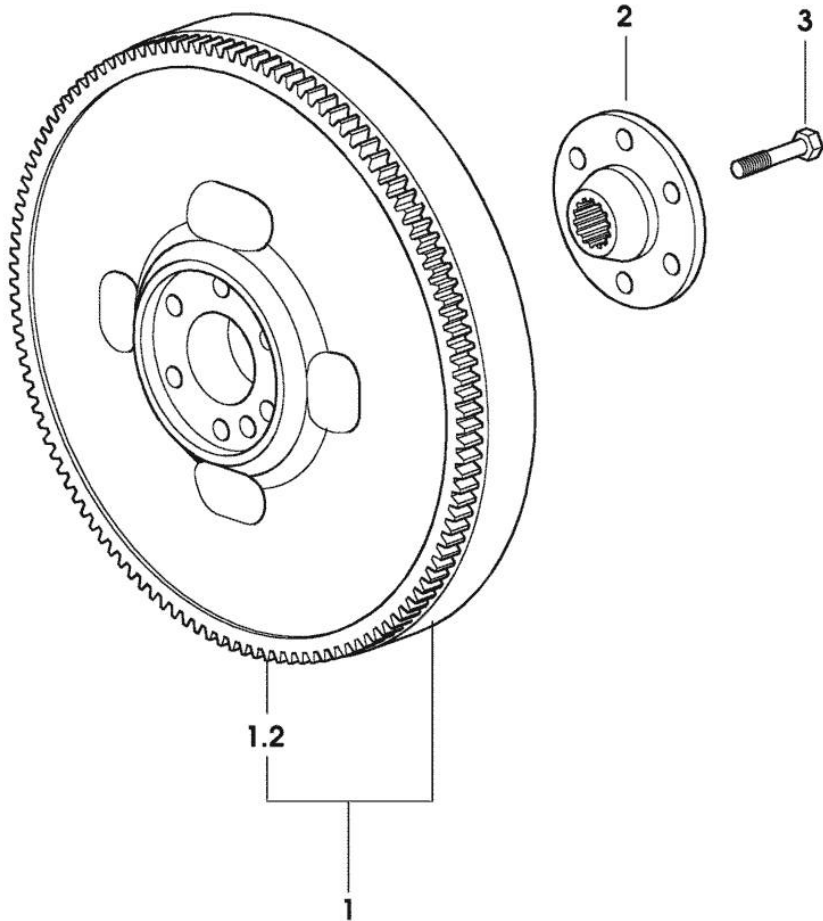
9_38612_04_0_0

FLYWHEEL

| Fig. | P/n | QTY | Name |
|------|-----|-----|------|
|------|-----|-----|------|

Notes:
[XA-656T]

| | | | |
|-----|-----------------|---|----------------------|
| 1 | 0.007.1883.3/10 | 1 | flywheel |
| 1.2 | 0.069.1242.0 | 1 | crown wheel Z = 121 |
| 2 | 0.255.2525.0/10 | 1 | flange |
| 3 | 2.0139.022.2 | 6 | screw m 12 p.1.25x55 |



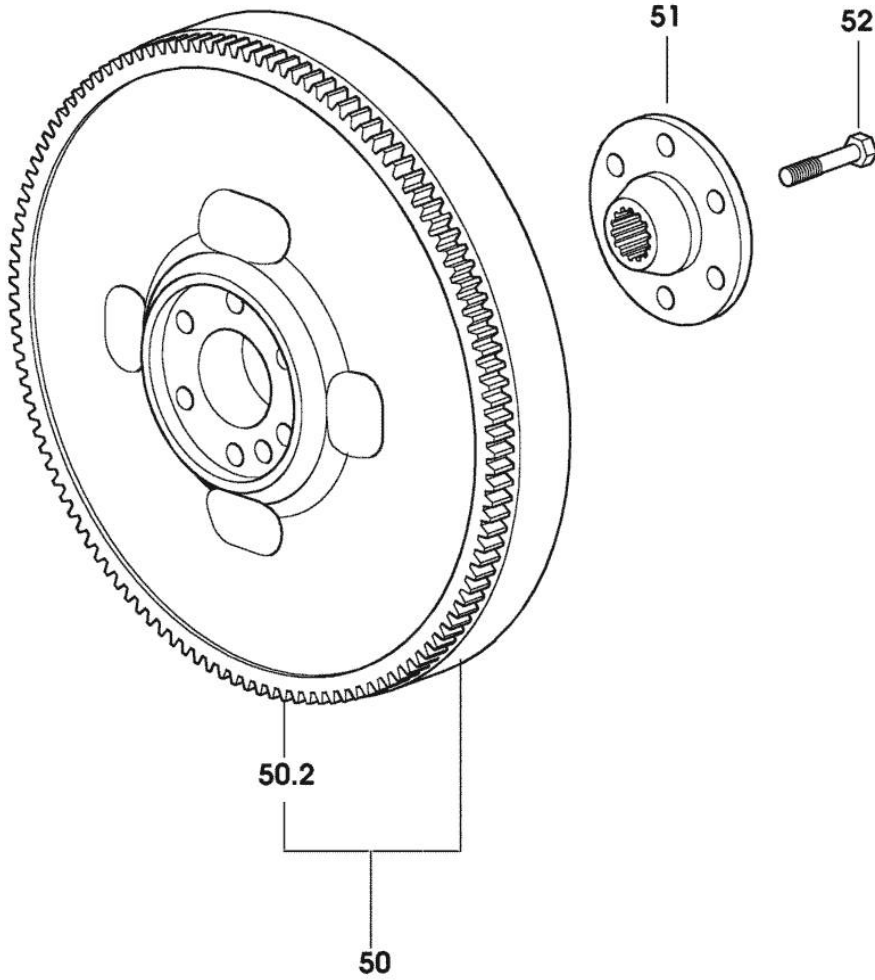
9_37212_08_0_0

FLYWHEEL

| Fig. | P/n | QTY | Name |
|------|-----|-----|------|
|------|-----|-----|------|

Notes:
[XA-656T]

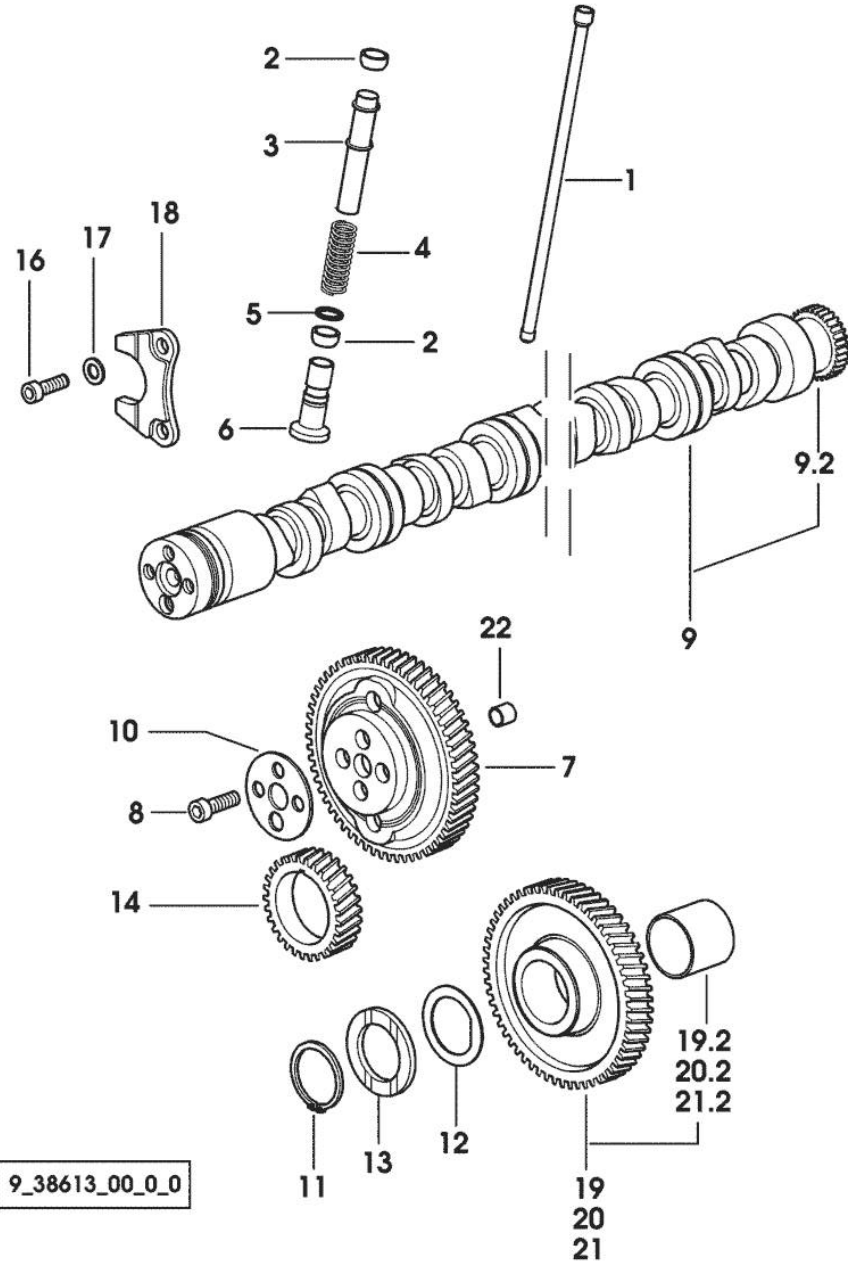
| | | | |
|------|-----------------|---|----------------------|
| 50 | 0.011.2162.3 | 1 | flywheel |
| 50.2 | 0.069.1242.0 | 1 | crown wheel Z = 121 |
| 51 | 0.255.2525.0/10 | 1 | flange |
| 52 | 2.0139.022.2 | 6 | screw m 12 p.1.25x55 |



9_37412_01_0_0

Section: ENGINE

CAMSHAFT



| Fig. | P/n | QTY | Name |
|------|-----|-----|------|
|------|-----|-----|------|

Notes:
[XA-656T]

| | | | |
|------|-----------------|----|---|
| 1 | 0.065.1331.2 | 6 | rod |
| 2 | 2.1569.114.0/10 | 12 | gasket 14x18.5x8 |
| 3 | 0.065.1332.0 | 6 | sleeve |
| 4 | 2.4019.300.1/10 | 6 | spring 18.5x52x2 |
| 5 | 2.1599.437.0 | 6 | shoulder ring |
| 6 | 0.065.1330.0 | 6 | tappets |
| 7 | 0.065.1354.0/20 | 1 | gear z=58 |
| 8 | 2.0132.207.2 | 4 | screw m 10 p.1 x 25 |
| 9 | 0.009.7456.3/10 | 1 | camshaft |
| 9.2 | 0.065.1324.0/10 | 1 | gear Z = 32 |
| 10 | 0.065.1350.0 | 1 | small disc |
| 11 | 2.1410.016.1 | 1 | circlip 40 |
| 12 | 0.065.1352.0 | 1 | shim |
| 13 | 0.065.1351.0 | 2 | shoulder ring |
| 14 | 0.065.1323.0/30 | 1 | gear Z = 29 |
| 16 | 2.0312.205.2 | 2 | screw |
| 17 | 2.1480.014.1 | 2 | washer 8 |
| 18 | 0.065.1353.0 | 1 | small plate |
| 19 | 0.007.1177.3/20 | | gear z = 57 - WITH RED IDENTIFICATION STAMP |
| 19.2 | 2.1559.185.0/10 | 1 | bushing |
| 20 | 0.007.1178.3/20 | | gear z = 57 - WITH YELLOW IDENTIFICATION STAMP |
| 20.2 | 2.1559.185.0/10 | 1 | bushing |
| 21 | 0.007.1179.3/20 | 1 | gear z = 57 - WITH GREEN IDENTIFICATION STAMP |
| 21.2 | 2.1559.185.0/10 | 1 | bushing |
| 22 | 2.1559.398.0 | 1 | bushing 10.5x13x12 |

Thank you so much for reading.
Please click the “Buy Now!”
button below to download the
complete manual.



After you pay.

You can download the most
perfect and complete manual in
the world immediately.

Our support email:

ebooklibonline@outlook.com