

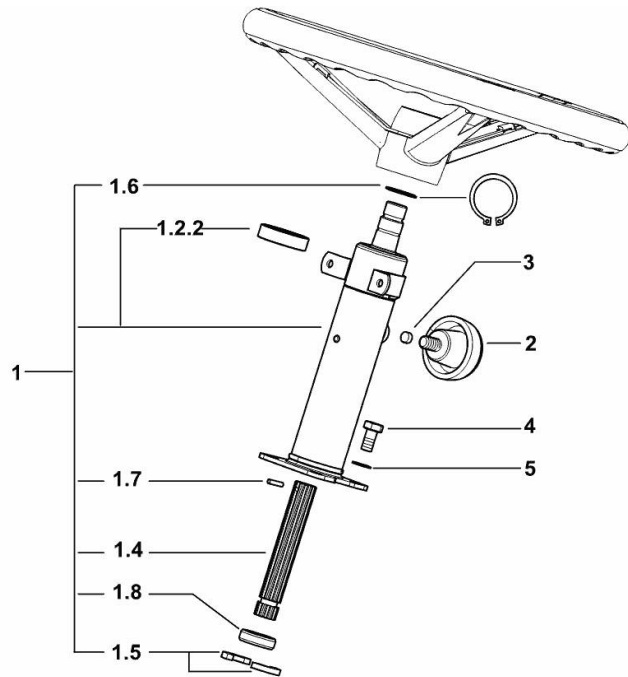
STEERING COLUMN

Fig.	P/n	QTY	Name
------	-----	-----	------

Notes:

[XB 85 T ->1001]

1	0.016.3808.3	1	steering column
1.2.2	2.2021.009.0	1	ball bearing 25 x 47 x 12
1.4	0.007.3756.0	1	shaft
1.5	2.1599.566.2	2	slewing ring 16.5 x 34 x 5
1.6	2.1410.010.7	6	circlip 25
1.7	2.1630.410.0	1	roll pin 4 x 20
1.8	2.1549.390.0	1	spacer
2	0.007.6087.2	1	knob
3	2.1579.883.0	1	spacer 10x5
4	2.0112.307.2	4	screw m 10 p.1.5 x 20
5	2.1470.006.2	4	lock washer 10



9_P9763_00_0-A-001

GEARSHIFT AND REVERSING GEAR UNIT CONTROL

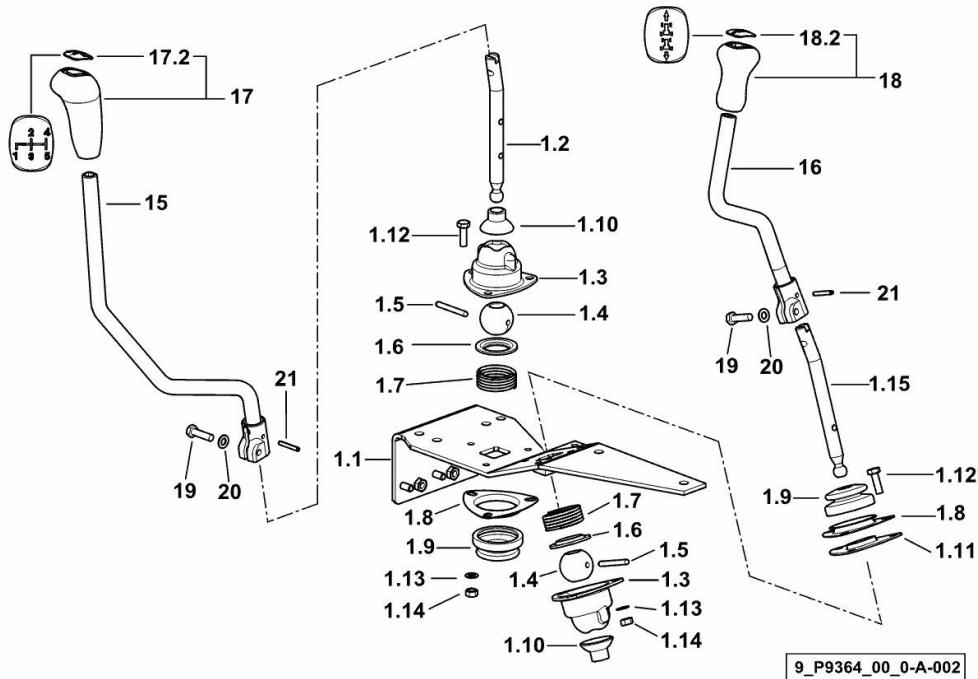


Fig.	P/n	QTY	Name
------	-----	-----	------

Notes:

[XB 85 T ->1001]

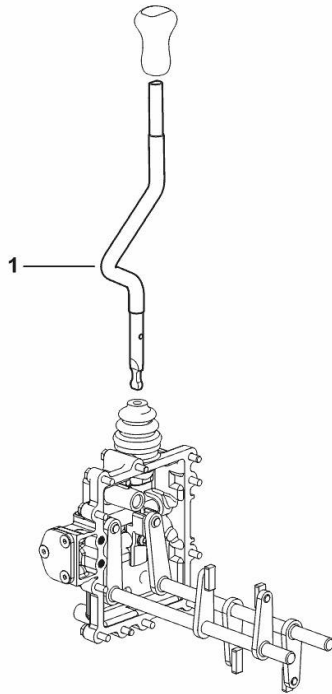
1.1	0.016.4781.3/20	1	support
1.2	0.016.4783.0/30	1	gear lever
1.3	0.467.6412.0	2	support
1.4	0.255.6452.0	2	ball
1.5	2.1699.184.0	2	pin 6x52
1.6	0.255.6465.0	2	cup
1.7	2.4019.309.1/10	2	spring 51x40x4
1.8	0.159.6450.0	2	support
1.9	0.255.6451.0/10	2	bellows
1.10	0.255.6466.0/10	2	guard
1.11	0.290.6455.0/30	1	small plate
1.12	2.0112.209.2	6	screw m 8 p 1.25 x 25
1.13	2.1470.004.2	6	lock washer 8
1.14	2.1011.105.2	6	nut m 8 p.1.25
1.15	0.017.7507.0	1	lever
15	0.016.2115.3/10	1	gear lever
16	0.016.2098.3/10	1	lever
17	0.014.8800.3	1	knob
17.2	0.014.8794.3	1	cap
18	0.015.9762.3	1	knob
18.2	0.010.5546.3/10	1	cap
19	2.0112.211.2	2	screw m 8 p.1.25 x 30
20	2.1310.004.2	2	flat washer 8.4x17
21	2.1631.415.2	2	pin 5x32

RANGE CONTROL

Fig.	P/n	QTY	Name
-------------	------------	------------	-------------

Notes:
[XB 85 T ->1001]

1	0.015.9919.0/30	1	lever
---	-----------------	---	-------



9_P9764_01_0-A-001

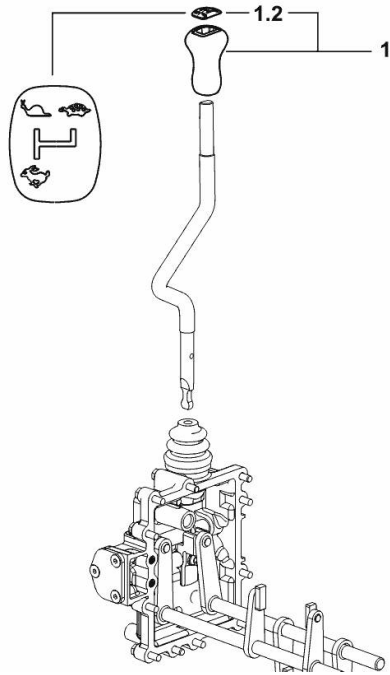
KNOB FOR 3-RANGE GEARBOX

Fig.	P/n	QTY	Name
------	-----	-----	------

Notes:

[XB 85 T ->1001]

1	0.016.4918.3/10	1	knob
1.2	0.016.4919.3	1	cap



9_P9764_03_0-A-001

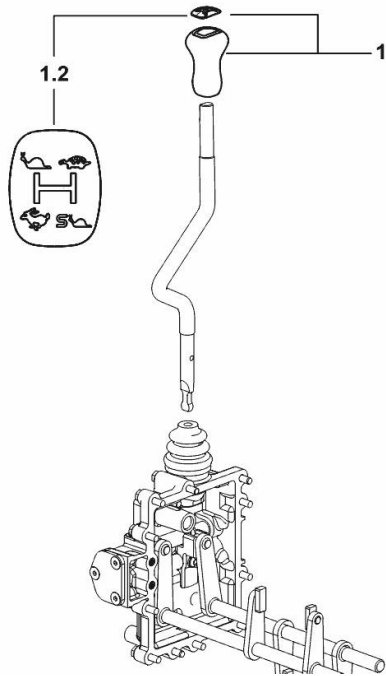
KNOB FOR 4-SPEED RANGE GEARBOX

Fig.	P/n	QTY	Name
------	-----	-----	------

Notes:

[XB 85 T ->1001]

1	0.015.9735.3/10	1	knob
1.2	0.015.9736.3	1	cap



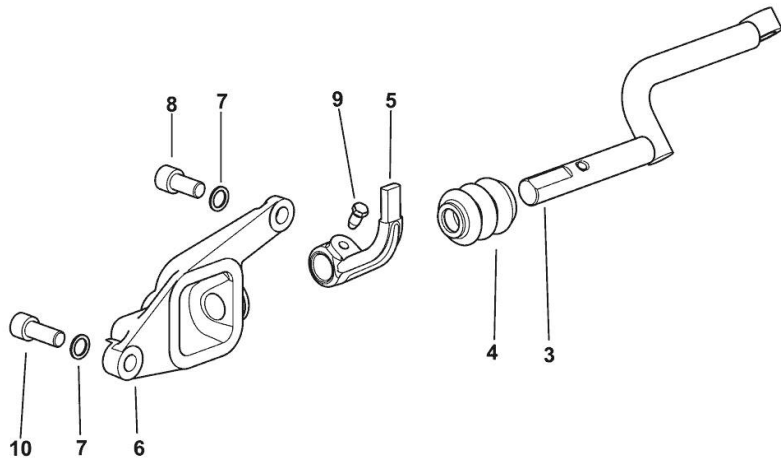
9_P9764_04_0-A-001

Section: G0 - BODYWORK - CAB
REVERSE GEAR CONTROL

Fig.	P/n	QTY	Name
------	-----	-----	------

Notes:
 [XB 85 T ->1001]

3	0.290.6451.2/30	1	lever
4	0.233.6479.0	1	guard
5	0.290.6452.2/20	1	lever
6	0.290.6450.0/40	1	support
7	2.1480.016.2	1	washer 12
8	2.0312.408.2	1	screw m 12 p.1.75 x 25
9	2.0399.019.1	1	screw m 8 p.1 x 16
10	2.0312.410.2	1	screw m 12 p.1.75 x 30



9_R1433_01_0-B-001

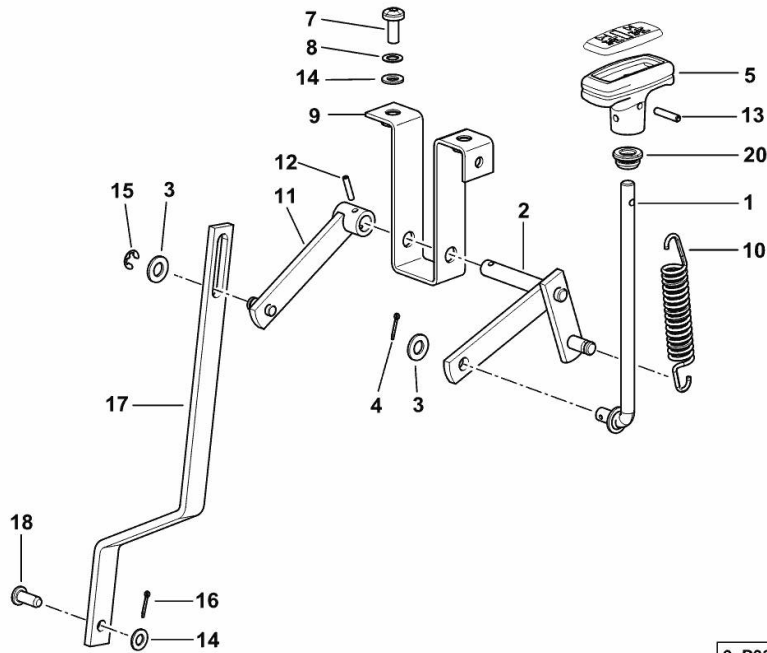
4WD - ENGAGEMENT CONTROL

Fig.	P/n	QTY	Name
------	-----	-----	------

Notes:

[XB 85 T ->1001]

1	0.016.3798.3	1	rod
2	0.290.3840.2/10	1	lever
3	2.1310.006.2	2	flat washer 10.5x21
4	2.1690.207.2	1	split pin 2x18
5	0.009.9885.0/10	1	knob
7	2.0330.507.2	2	screw m 8 p.1.25 x 20
8	2.1470.004.2	2	lock washer 8
9	0.290.3850.2	1	support
10	2.4049.139.1/10	1	spring
11	0.014.1886.2	1	lever
12	2.1632.409.2	1	roll pin 4 x 20
13	2.1630.511.0	1	roll pin 5x24
14	2.1310.004.2	3	flat washer 8.4x17
15	2.1430.008.7	1	circlip 7
16	2.1690.206.2	1	split pin A2x15
17	0.016.3766.0	1	rod
18	2.1671.304.2	1	pin 8x20
20	0.255.6858.0/10	1	rubber plug 18x5



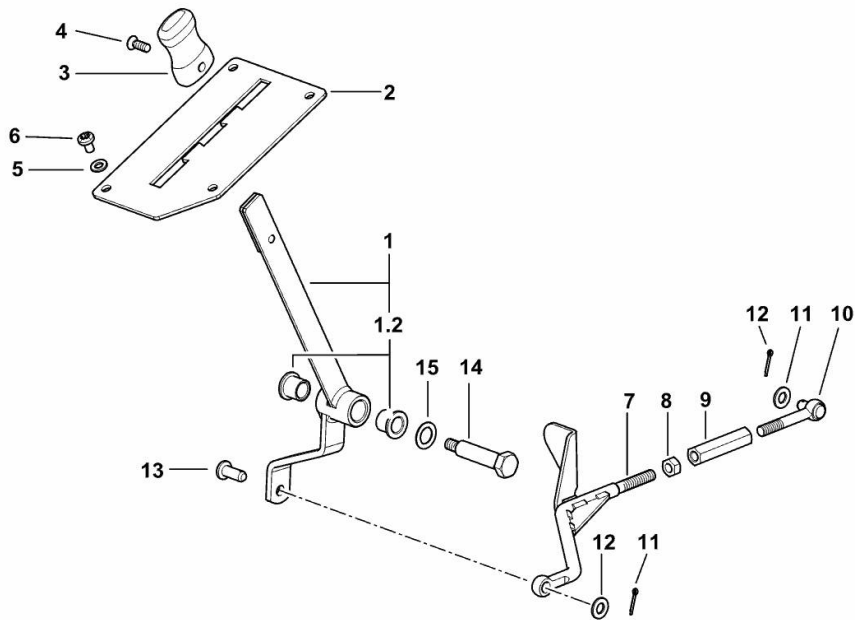
9_P9368_01_0-A-001

P.T.O. SHAFT DRIVE

Fig.	P/n	QTY	Name
------	-----	-----	------

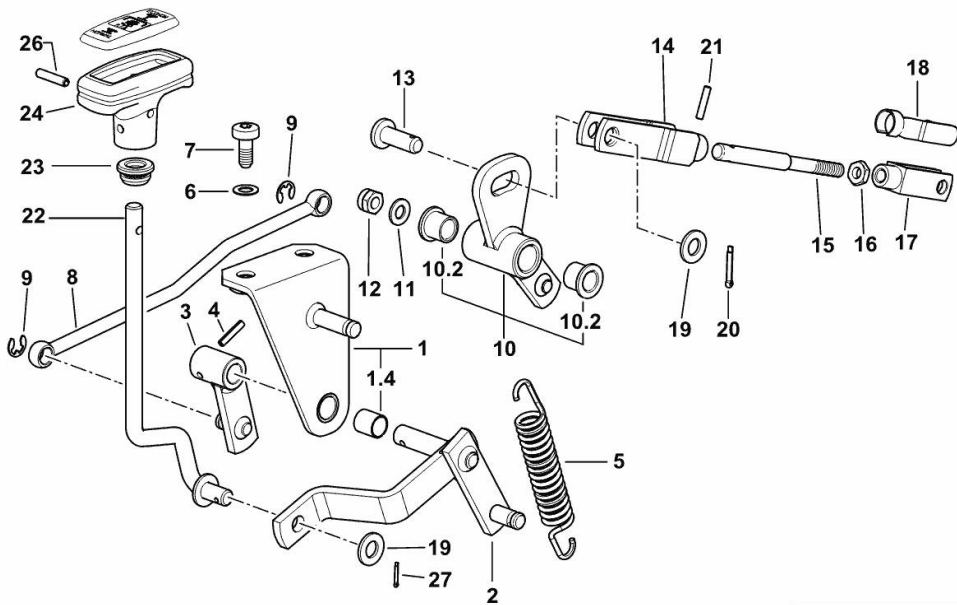
Notes:
[XB 85 T ->1001]

1	0.016.3942.3	1	lever
1.2	2.1559.243.0	2	special bushing 12x16x15
2	0.016.0157.0/10	1	plate
3	0.014.9079.0	1	knob
4	2.0322.406.6	1	screw m 6 p.1.0 x 16
5	2.1310.002.3	4	flat washer 6.4 x 12 x 1.6
6	2.0332.403.3	4	screw m 6 p.1 x 10
7	0.016.3943.2	1	rod
8	2.1011.105.2	1	nut m 8 p.1.25
9	2.1099.167.2	1	nut
10	0.015.3923.2	1	terminal
11	2.1310.004.2	2	flat washer 8.4x17
12	2.1690.207.2	2	split pin 2x18
13	2.1671.304.2	1	pin 8x20
14	2.0399.251.2	1	pin
15	2.1470.007.2	1	lock washer 12



9_P9768_15_0-A-001

P.T.O. - ECONOMICAL CONTROL

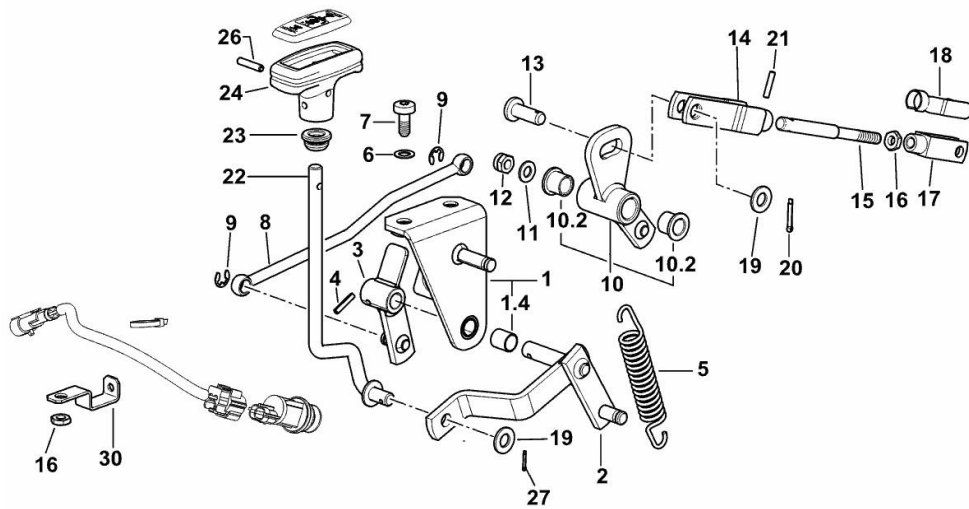


9_P9768_05_0-A-001

Fig.	P/n	QTY	Name
Notes:			
[XB 85 T ->1001] 1002 <-			
1	0.016.3181.3	1	bracket
1.4	2.1555.206.0	1	bushing 12 x 14 x 15
2	0.016.2421.2	1	lever
3	0.016.2439.2	1	lever
4	2.1632.409.2	1	roll pin 4 x 20
5	2.4049.139.1/10	1	spring
6	2.1470.004.2	2	lock washer 8
7	2.0362.307.2	2	screw m 8 x 20
8	0.016.3774.0	1	rod
9	2.1430.008.7	2	circlip 7
10	0.016.2247.3	1	lever
10.2	2.1559.243.0	2	special bushing 12x16x15
11	2.1310.004.2	1	flat washer 8.4x17
12	2.1120.105.2	1	self-locking nut m 8 p.1.25
13	2.1671.407.2	1	pin 10 x 28
14	0.016.3999.2	1	fork
15	0.016.4005.0	1	rod
16	2.1011.205.2	1	nut m 8 p.1.25
17	2.3510.014.2	1	fork m 8x32
18	2.1673.007.2	1	pin m 8x32
19	2.1310.006.2	2	flat washer 10.5x21
20	2.1690.307.2	1	split pin 3.2x18
21	2.1630.410.0	1	roll pin 4 x 20
22	0.016.2653.3	1	rod
23	0.255.6858.0/10	1	rubber plug 18x5
24	0.009.9885.0/10	1	knob
26	2.1630.511.0	1	roll pin 5x24
27	2.1690.207.2	1	split pin 2x18

Section: G0 - BODYWORK - CAB

P.T.O. - ECONOMICAL CONTROL



9_P9768_05_0-A-002

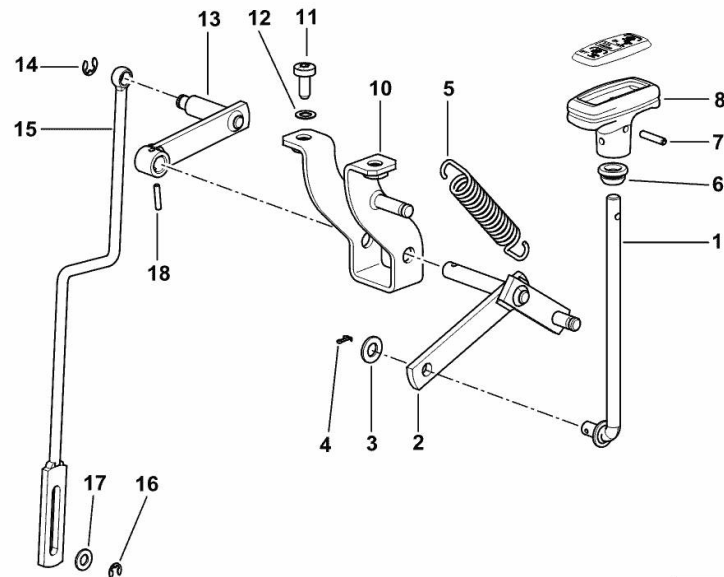
Fig.	P/n	QTY	Name
Notes:			
[XB 85 T ->1001]			
1	0.016.3181.3/10	1	bracket
1.4	2.1555.206.0	1	bushing 12 x 14 x 15
2	0.016.2421.2	1	lever
3	0.016.2439.2/10	1	lever
4	2.1632.409.2	1	roll pin 4 x 20
5	2.4049.139.1/10	1	spring
6	2.1470.004.2	2	lock washer 8
7	2.0362.307.2	2	screw m 8 x 20
8	0.016.3774.0	1	rod
9	2.1430.008.7	2	circlip 7
10	0.016.2247.3	1	lever
10.2	2.1559.243.0	2	special bushing 12x16x15
11	2.1310.004.2	1	flat washer 8.4x17
12	2.1120.105.2	1	self-locking nut m 8 p.1.25
13	2.1671.407.2	1	pin 10 x 28
14	0.016.3999.2	1	fork
15	0.016.4005.0	1	rod
16	2.1011.205.2	2	nut m 8 p.1.25
17	2.3510.014.2	1	fork m 8x32
18	2.1673.007.2	1	pin m 8x32
19	2.1310.006.2	2	flat washer 10.5x21
20	2.1690.307.2	1	split pin 3.2x18
21	2.1630.410.0	1	roll pin 4 x 20
22	0.016.2653.3	1	rod
23	0.255.6858.0/10	1	rubber plug 18x5
24	0.009.9885.0/10	1	knob
26	2.1630.511.0	1	roll pin 5x24
27	2.1690.207.2	1	split pin 2x18
30	0.019.0435.0	1	bracket

GROUNDSPEED - PTO - CONTROL

Fig.	P/n	QTY	Name
------	-----	-----	------

Notes:

[XB 85 T ->1001]



1	0.016.3798.3	1	rod
2	0.016.3800.2	1	lever
3	2.1310.006.2	1	flat washer 10.5x21
4	2.1690.207.2	1	split pin 2x18
5	2.4049.139.1/10	1	spring
6	0.255.6858.0/10	1	rubber plug 18x5
7	2.1630.511.0	1	roll pin 5x24
8	0.009.9885.0/10	1	knob
10	0.016.3799.3	1	bracket
11	2.0362.307.2	2	screw m 8 x 20
12	2.1470.004.2	2	lock washer 8
13	0.016.3870.2	1	lever
14	2.1430.008.7	1	circlip 7
15	0.016.0120.2	1	rod
16	2.1439.003.0	1	circlip 6, d128
17	2.1310.004.2	1	flat washer 8.4x17
18	2.1630.410.0	1	roll pin 4 x 20

9_P9368_02_0-A-001

Thank you so much for reading.
Please click the “Buy Now!”
button below to download the
complete manual.



After you pay.

You can download the most
perfect and complete manual in
the world immediately.

Our support email:

ebooklibonline@outlook.com