

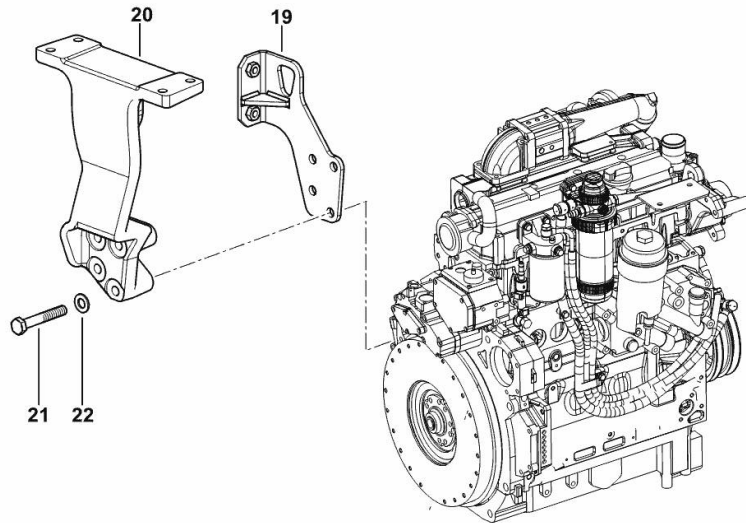
SUPPORTS

Fig.	P/n	QTY	Name
------	-----	-----	------

Notes:

[XB MAX 100 -> 20001]

19	0.014.9247.3/20	1	bracket
20	0.010.6442.0/10	1	bracket
21	2.0112.322.2	4	screw m 10 p.1.5x65
22	2.1475.003.2	4	washer 10



9_O3016_01_0-B-001

FASTENINGS

Fig.	P/n	QTY	Name
------	-----	-----	------

Notes:

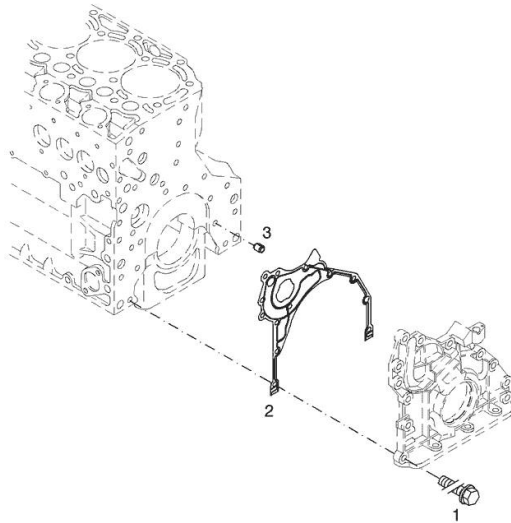
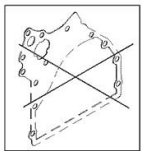
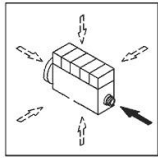
[XB MAX 100 -> 20001]

Engine serial number:

10600577 10756594 10765687 10765696 10765698 10765699 10765703 10771129 10825295 10825933 10830680
 10834156 10836923 10843929 10860845 10861225 10861228 10861229 10863544 10863546 10863552 10863554
 10877945 10877948 10925144 10942246 10985010 10985544 11002615 11007991 11031028 11072446 11136074
 11165163 11167090 11173902 11173905 11173907 11176613 11188518 11212194

1	01183645	12	screw EN 1662 -F-M8X35-10.9-ZNAL-A
2	04504325	1	gasket
3	01181406	1	bushing H 2341 -B11X8-FE/ZN12C*

003 ©



BLEEDING TUBE

Fig.	P/n	QTY	Name
------	-----	-----	------

Notes:

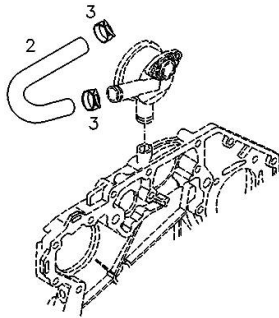
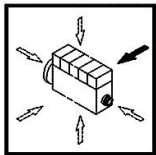
[XB MAX 100 -> 20001]

Engine serial number:

10756594 10765687 10765696 10765698 10765699 10765703 10771129 10825295 10825933 10830680 10834156
 10836923 10843929 10860845 10861225 10861228 10861229 10863544 10863546 10863552 10863554 10877945
 10877948 10925144 10942246 10985010 10985544 11002615 11007991 11031028 11072446 11136074 11165163
 11167090 11173902 11173905 11173907 11176613 11188518 11212194

2	04258132	1	tube
3	01178750	2	clamp DIN 3021 -A-29X15

000 ©



CRANKCASE BREATHER

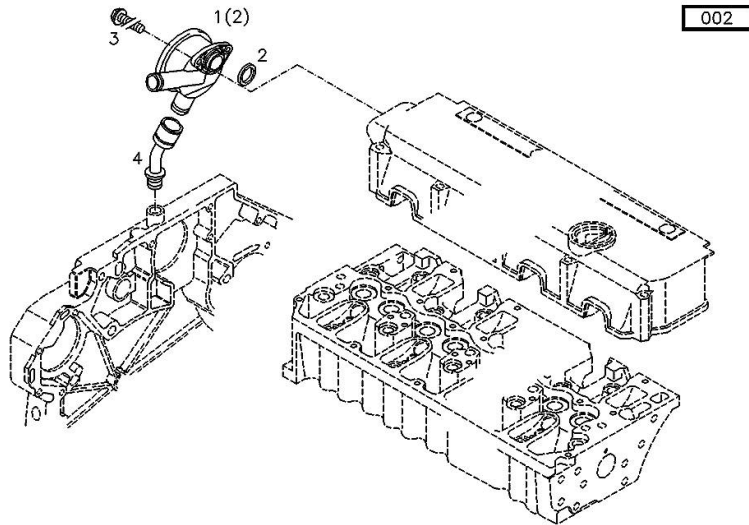
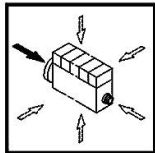
Fig.	P/n	QTY	Name
------	-----	-----	------

Notes:

[XB MAX 100 -> 20001]

Engine serial number:

10600577 10756594 10765687 10765696 10765698 10765699 10765703 10771129 10825295 10825933 10830680
 10834156 10836923 10843929 10860845 10861225 10861228 10861229 10863544 10863546 10863552 10863554
 10877945 10877948 10925144 10942246 10985010 10985544 11002615 11007991 11031028 11072446 11136074
 11165163 11167090 11173902 11173905 11173907 11176613 11188518 11212194



1	04203321	1	valve WITH POS.... (2)
2	04206233	1	gasket
3	01148431	2	screw - FROM THE MONTH OF ASSEMBLY SEE POS. (B) - UP TO THE MONTH OF ASSEMBLY (A) FROM THE MONTH OF ASSEMBLY A = 09.1995 B = POS. 950 ISO 4762 -M6X20-8.8-ZNAL-A
4	04207290	1	pipng
5	01124654	2	washer 6,4 d433 ISO 7092 -6-140HV-A4C*
950	01181965	2	screw - UP TO MONTH OF ASSEMBLY (A) - FROM MONTH OF ASSEMBLY SEE POS. (B) A = 08.1995 B = POS. 3 EN 1662 -F-M6X20-10.9-ZNAL-A

Section: B0 - ENGINE
KURBELGEHAEUSE

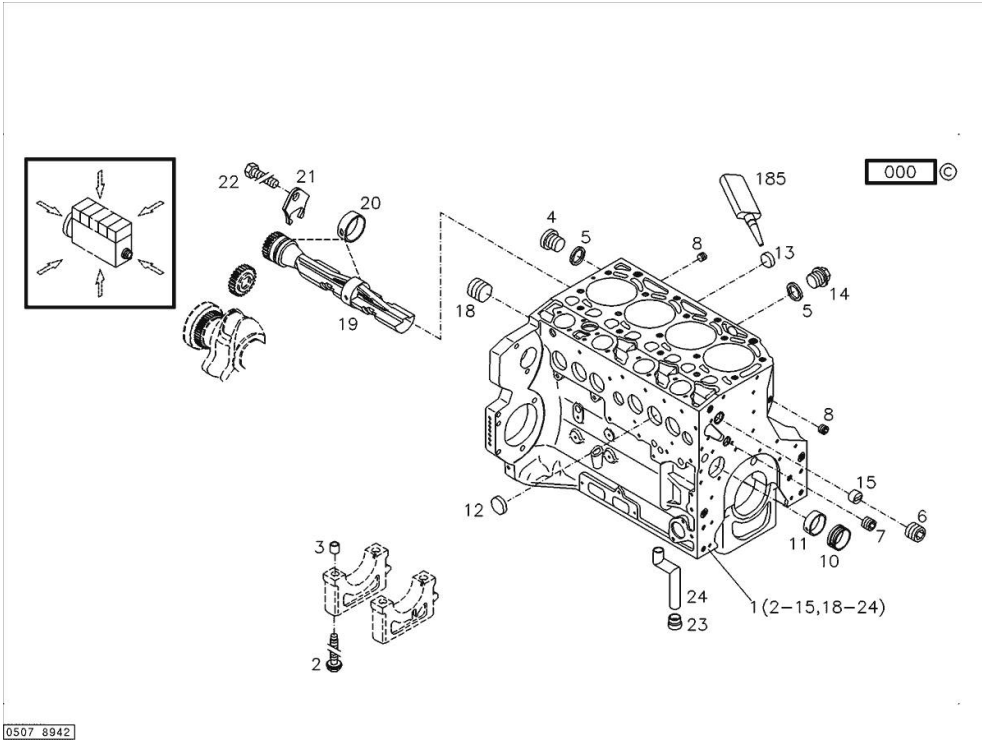
Fig.	P/n	QTY	Name
------	-----	-----	------

Notes:

[XB MAX 100 -> 20001]

Engine serial number:

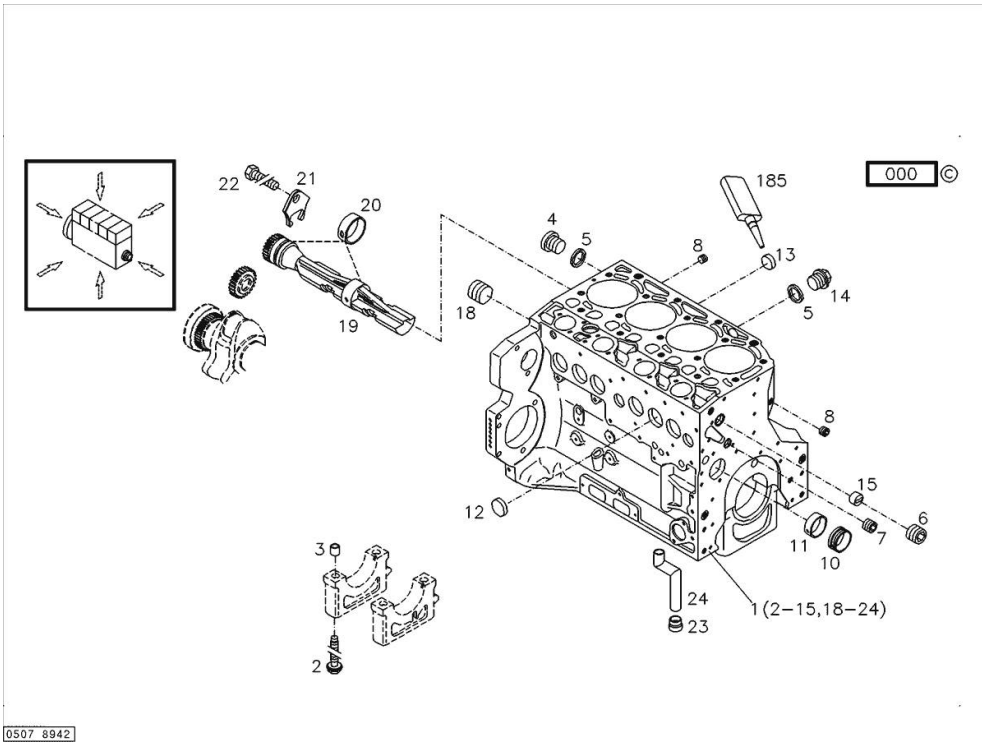
10600577



185	01319911	1	sealing compound ml. 50
1	04289939	1	crankcase MIT POS.... (2-15,18-24)
2	04254240	10	screw 50 Nm , 90° , 90°
3	04160764	10	bushing
4	01110423	1	screw 35 Nm DIN 908 -M14X1,5-ST-ZNPHRF
5	01118693	3	gasket 14x20 DIN 7603 -A14X20-CU
6	01180890	1	screw 95 Nm H 2812 -906-M30X1,5-ST-A4C-PRE80
7	01180906	1	screw H 2812 -906-M22X1,5-ST-A4C-PRE80
8	01182031	2	screw 35 Nm H 2812 -906-M14X1,5-ST-A3C-LOCTITE506
10	04251884	4	plug
11	04250086	1	ring
12	01148032	6	cover DIN 443 -A45-ZNPHR
13	01179634	4	plug H 2860 -A36-ST-FE/ZNPHR
14	01100940	2	screw 35 Nm DIN 7604 -AM14X1,5-ST-A4C
15	04202518	1	sleeve
18	04226536	1	bottom 30 Nm
19	04259301	2	shaft
20	04252834	4	bush
21	04251810	2	plug
22	01181672	2	nut H 2091 -4017-M8X16-10.9-GESCHW-MK-1.0

KURBELGEHAEUSE

Fig.	P/n	QTY	Name
23	04255998	1	ring
24	04254026	1	pipng



OIL FILLER NECK

Fig.	P/n	QTY	Name
------	-----	-----	------

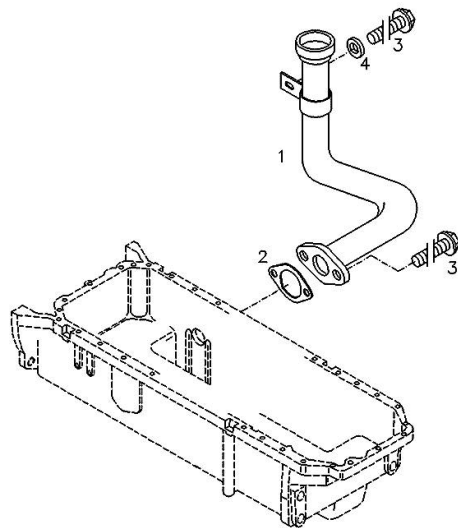
Notes:

[XB MAX 100 -> 20001]

Engine serial number:

10600577 10756594 10765687 10765696 10765698 10765699 10765703 10771129 10825295 10825933 10830680
 10834156 10836923 10843929 10860845 10861225 10861228 10861229 10863544 10863546 10863552 10863554
 10877945 10877948 10925144 10942246 10985010 10985544 11002615 11007991 11031028 11072446 11136074
 11165163 11167090 11173902 11173905 11173907 11176613 11188518 11212194

1	04251494	1	tube
2	01178421	1	gasket DIN 71511 -35X58X1,5-DEUTZFW31
3	01181433	3	screw EN 1662 -F-M8X20-LG2,5-10.9-ZNAL-A
4	01214459	1	washer 8,5x20x5



000

ACCESSORIES

Fig.	P/n	QTY	Name
-------------	------------	------------	-------------

Notes:

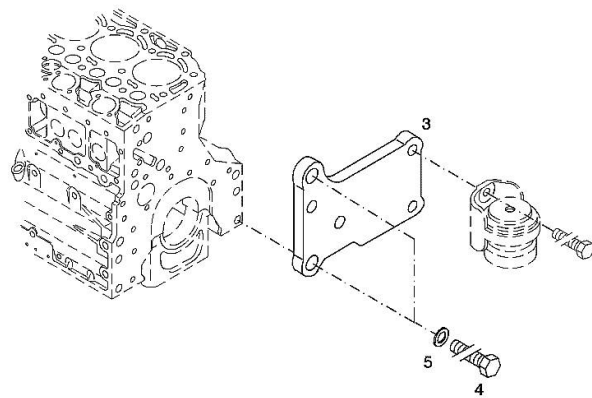
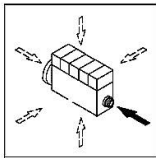
[XB MAX 100 -> 20001]

Engine serial number:

10600577 10756594 10765687 10765696 10765698 10765699 10765703 10771129 10825295 10825933 10830680
 10834156 10836923 10843929 10860845 10861225 10861228 10861229 10863544 10863546 10863552 10863554
 10877945 10877948 10925144 10942246 10985010 10985544 11002615 11007991 11031028 11072446 11136074
 11165163 11167090 11173902 11173905 11173907 11176613 11188518 11212194

006 ©

3	04288659	1	support
4	01148261	2	screw ISO 4017 -M16X40-10.9-ZNAL-A
5	01181400	2	washer H 2308 -18X25X1,5-A4C



ACCESSORIES

Fig.	P/n	QTY	Name
------	-----	-----	------

Notes:

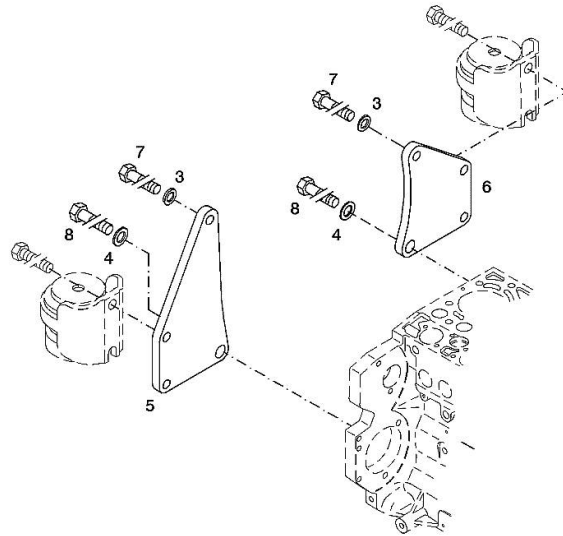
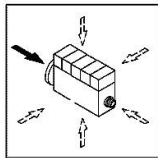
[XB MAX 100 -> 20001]

Engine serial number:

10600577 10756594 10765687 10765696 10765698 10765699 10765703 10771129 10825295 10825933 10830680
 10834156 10836923 10843929 10860845 10861225 10861228 10861229 10863544 10863546 10863552 10863554
 10877945 10877948 10925144 10942246 10985010 10985544 11002615 11007991 11031028 11072446 11136074
 11165163 11167090 11173902 11173905 11173907 11176613 11188518 11212194

003 ©

3	01182016	2	disc H 2308 -13X24X3-ZNAL-A
4	01181400	2	washer H 2308 -18X25X1,5-A4C
5	04206926	1	plate dx/rh/re
6	04206927	1	plate sx/lh/li
7	01148137	2	screw - UP TO MONTH OF ASSEMBLY (A) - FROM MONTH OF ASSEMBLY SEE POS. (B) A = 06.2009 B = POS. 950 DIN 931 -M12X75-10.9-ZNAL-A
8	01148037	2	screw UP TO MONTH OF ASSEMBLY (A) - FROM MONTH OF ASSEMBLY SEE POS. (B) A = 06.2009 B = POS. 951 ISO 4014 -M16X75-10.9-OELGESCHW
950	01149017	2	screw - FROM MONTH OF ASSEMBLY SEE POS. (B) - UP TO MONTH OF ASSEMBLY (A) FROM MONTH OF ASSEMBLY A = 07.2009 B = 7 DIN 34800 -BM12X75-10.9-ZNAL-A
951	01180235	2	screw - FROM MONTH OF ASSEMBLY SEE POS. (B) - UP TO MONTH OF ASSEMBLY (A) FROM MONTH OF ASSEMBLY A = 07.2009 B= Pos.8 H 2032 -HBM16X75-10.9-GESCHW



ACCESSORIES

Fig.	P/n	QTY	Name
-------------	------------	------------	-------------

Notes:

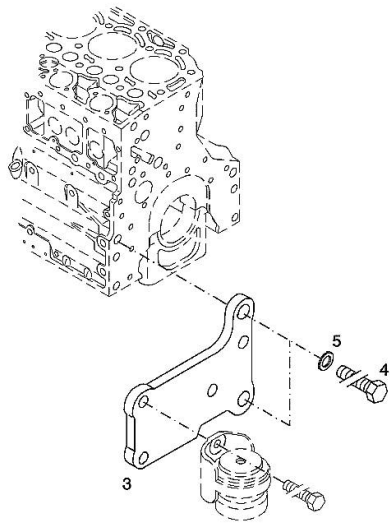
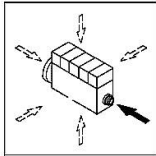
[XB MAX 100 -> 20001]

Engine serial number:

10600577 10756594 10765687 10765696 10765698 10765699 10765703 10771129 10825295 10825933 10830680
 10834156 10836923 10843929 10860845 10861225 10861228 10861229 10863544 10863546 10863552 10863554
 10877945 10877948 10925144 10942246 10985010 10985544 11002615 11007991 11031028 11072446 11136074
 11165163 11167090 11173902 11173905 11173907 11176613 11188518 11212194

003 ©

3	04288660	1	support
4	01148261	2	screw ISO 4017 -M16X40-10.9-ZNAL-A
5	01181400	2	washer H 2308 -18X25X1,5-A4C



FILLER CAP

Fig.	P/n	QTY	Name
------	-----	-----	------

Notes:

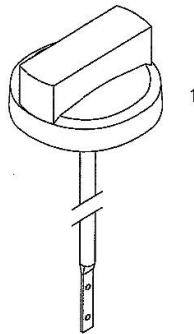
[XB MAX 100 -> 20001]

Engine serial number:

10600577 10756594 10765687 10765696 10765698 10765699 10765703 10771129 10825295 10825933 10830680
10834156 10836923 10843929 10860845 10861225 10861228 10861229 10863544 10863546 10863552 10863554
10877945 10877948 10925144 10942246 10985010 10985544 11002615 11007991 11031028 11072446 11136074
11165163 11167090 11173902 11173905 11173907 11176613 11188518 11212194

1	01180286	1	plug H 2875 -B2-OL40-166X4-130X12
---	----------	---	--------------------------------------

000



0507 1178

Thank you so much for reading.
Please click the “Buy Now!”
button below to download the
complete manual.



After you pay.

You can download the most
perfect and complete manual in
the world immediately.

Our support email:

ebooklibonline@outlook.com