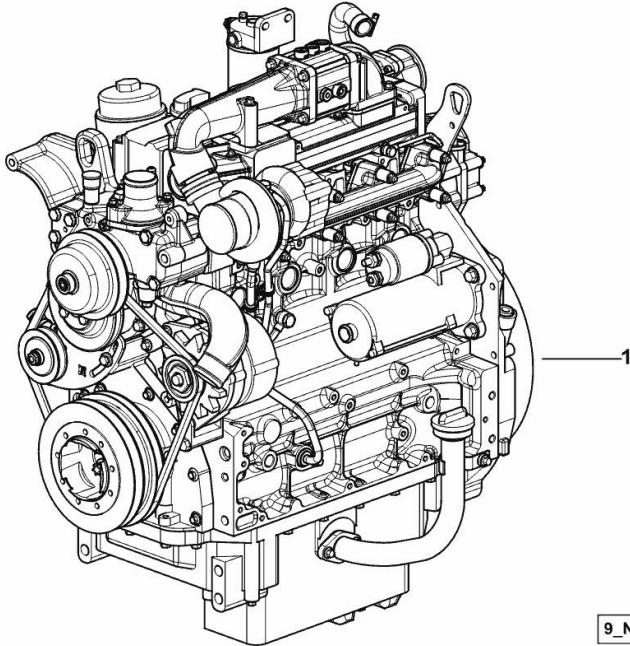


**ENGINE**

<b>Fig.</b>	<b>P/n</b>	<b>QTY</b>	<b>Name</b>
-------------	------------	------------	-------------

**Notes:**  
[XB MAX 100 -> 5001]

1	25007772	1	engine ON ORDERING PLEASE ENGINE NO. REQUIRED
---	----------	---	---



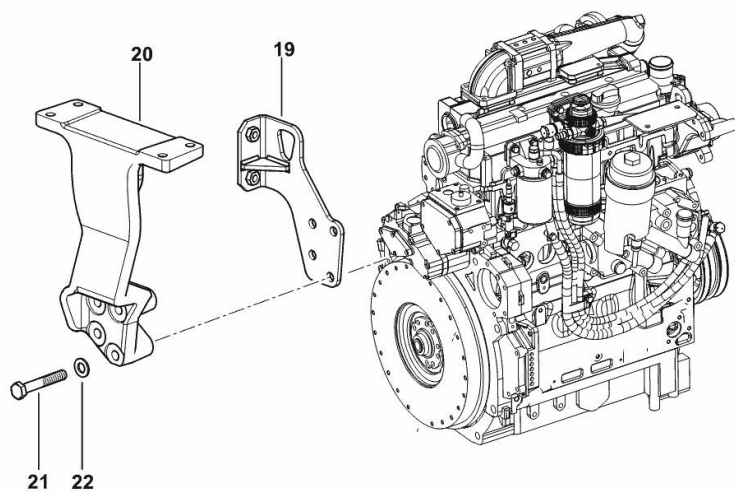
**SUPPORTS**

<b>Fig.</b>	<b>P/n</b>	<b>QTY</b>	<b>Name</b>
-------------	------------	------------	-------------

**Notes:**

[XB MAX 100 -> 5001]

19	0.014.9247.3/20	1	bracket
20	0.010.6442.0/10	1	bracket
21	2.0112.322.2	4	screw m 10 p.1.5x65
22	2.1475.003.2	4	washer 10



9\_N9116\_01\_0-B-001

**FASTENINGS**

Fig.	P/n	QTY	Name
------	-----	-----	------

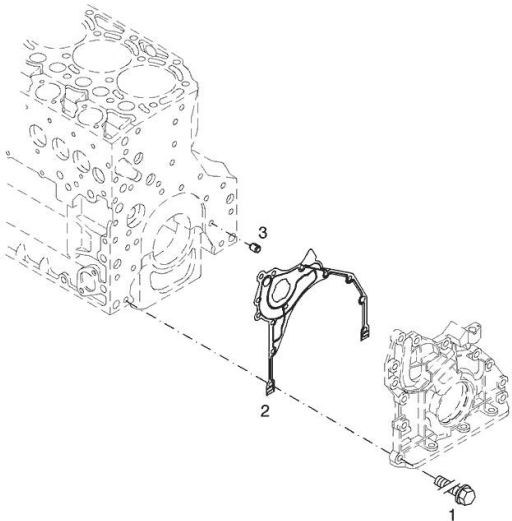
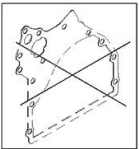
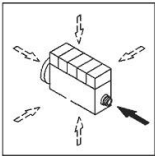
**Notes:**

[XB MAX 100 -> 5001]

**Engine serial number:**

10361908 10394555 10398521 10398535 10408509 10423040 10423054 10423151 10423157 10423160 10423938  
10423967 10444473 10444475 10455873 10455886 10455889 10455896 10457235 10465918 10478905 10483685  
10483715 10483731 10483733 10486384 10486403 10490537 10490542 10490571 10498534 10498537 10498538  
10498539 10498543 10498547 10498556 10498557 10498558 10498561 10508188 10512526 10530402 10533857  
10538250 10538256 10538257 10538269 10538275 10554730 10570495 10584256 10606298 10618331 10618336  
10670379 10670401 10670402 10670404 10670408 10670409 10674553 10683379 10707767 10707778 10727611  
10727619 10733657 10748626 10748648 10748654 10748719 10748725 10748728 10748729 10748733 10750067  
10750074 10750076 10750083 10750085 10750093 10750660 10755901 10780436

1	01183645	12	screw EN 1662 -F-M8X35-10.9-ZNAL-A
2	04504325	1	gasket
3	01181406	1	bushing H 2341 -B11X8-FE/ZN12C*



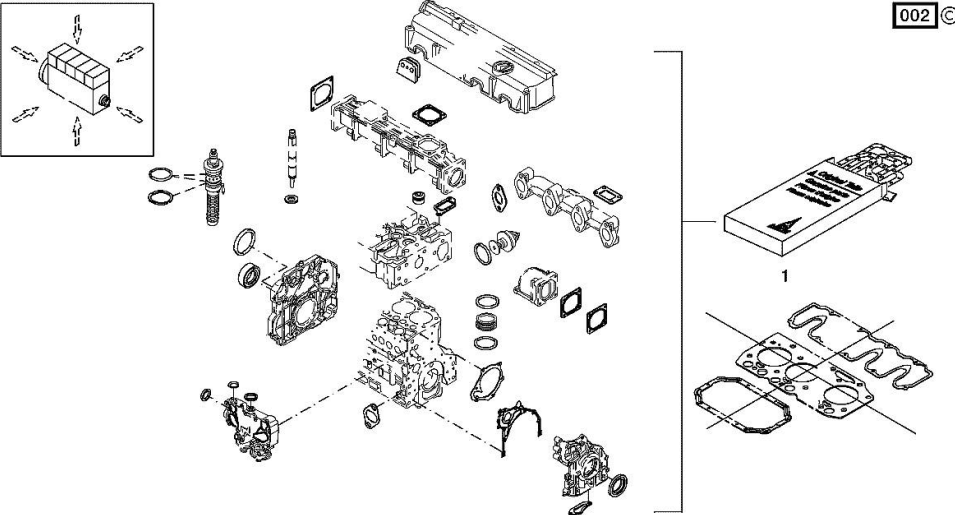
003 ©

Section: B0 - ENGINE  
SERIE GUARNIZIONI

Fig.	P/n	QTY	Name
------	-----	-----	------

Notes:  
[XB MAX 100 -> 5001]

**Engine serial number:**  
 10361908 10394555 10398521 10398535 10408509 10423040 10423054 10423151 10423157 10423160 10423938  
 10423967 10444473 10444475 10455873 10455886 10455889 10455896 10457235 10465918 10478905 10483685  
 10483715 10483731 10483733 10486384 10486403 10490537 10490542 10490571 10498534 10498537 10498538  
 10498539 10498543 10498547 10498556 10498557 10498558 10498561 10508188 10512526 10530402 10533857  
 10538250 10538256 10538257 10538269 10538275 10554730 10570495 10584256 10606298 10618331 10618336  
 10670379 10670401 10670402 10670404 10670408 10670409 10674553 10683379 10707767 10707778 10727611  
 10727619 10733657 10748626 10748648 10748654 10748719 10748725 10748728 10748729 10748733 10750067  
 10750074 10750076 10750083 10750085 10750093 10750660 10755901 10780436



1	02937585	1	gasket set THE KIT DOES NOT CONTAIN ALL THE GASKETS: SEE SM 0199-99-9449
---	----------	---	--

**BUSH**

Fig.	P/n	QTY	Name
------	-----	-----	------

**Notes:**

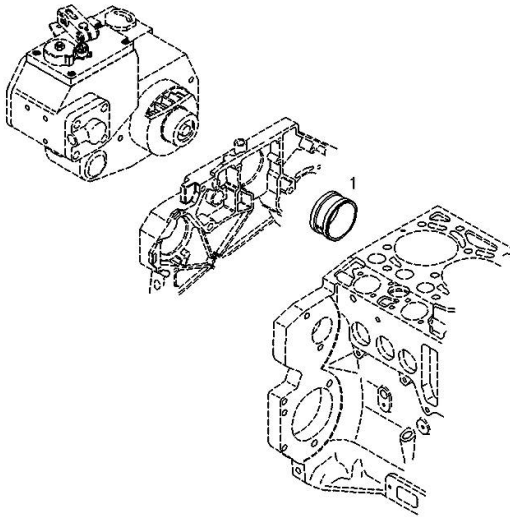
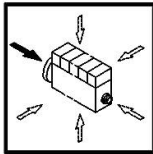
[XB MAX 100 -> 5001]

**Engine serial number:**

10361908 10394555 10398521 10398535 10408509 10423040 10423054 10423151 10423157 10423160 10423938  
 10423967 10444473 10444475 10455873 10455886 10455889 10455896 10457235 10465918 10478905 10483685  
 10483715 10483731 10483733 10486384 10486403 10490537 10490542 10490571 10498534 10498537 10498538  
 10498539 10498543 10498547 10498556 10498557 10498558 10498561 10508188 10512526 10530402 10533857  
 10538250 10538256 10538257 10538269 10538275 10554730 10570495 10584256 10606298 10618331 10618336  
 10670379 10670401 10670402 10670404 10670408 10670409 10674553 10683379 10707767 10707778 10727611  
 10727619 10733657 10748626 10748648 10748654 10748719 10748725 10748728 10748729 10748733 10750067  
 10750074 10750076 10750083 10750085 10750093 10750660 10755901 10780436

002

1	02111679	1	bush
---	----------	---	------



0507 2810

Section: B0 - ENGINE

**BLEEDING TUBE**

Fig.	P/n	QTY	Name
------	-----	-----	------

**Notes:**

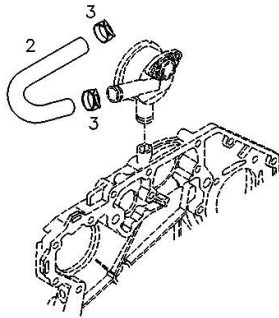
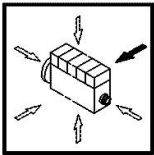
[XB MAX 100 -> 5001]

**Engine serial number:**

10361908 10394555 10398521 10398535 10408509 10423040 10423054 10423151 10423157 10423160 10423938  
 10423967 10444473 10444475 10455873 10455886 10455889 10455896 10457235 10465918 10478905 10483685  
 10483715 10483731 10483733 10486384 10486403 10490537 10490542 10490571 10498534 10498537 10498538  
 10498539 10498543 10498547 10498556 10498557 10498558 10498561 10508188 10512526 10530402 10533857  
 10538250 10538256 10538257 10538269 10538275 10554730 10570495 10584256 10606298 10618331 10618336  
 10670379 10670401 10670402 10670404 10670408 10670409 10674553 10683379 10707767 10707778 10727611  
 10727619 10733657 10748626 10748648 10748654 10748719 10748725 10748728 10748729 10748733 10750067  
 10750074 10750076 10750083 10750085 10750093 10750660 10755901 10780436

000 ©

2	04258132	1	tube
3	01178750	2	clamp DIN 3021 -A-29X15



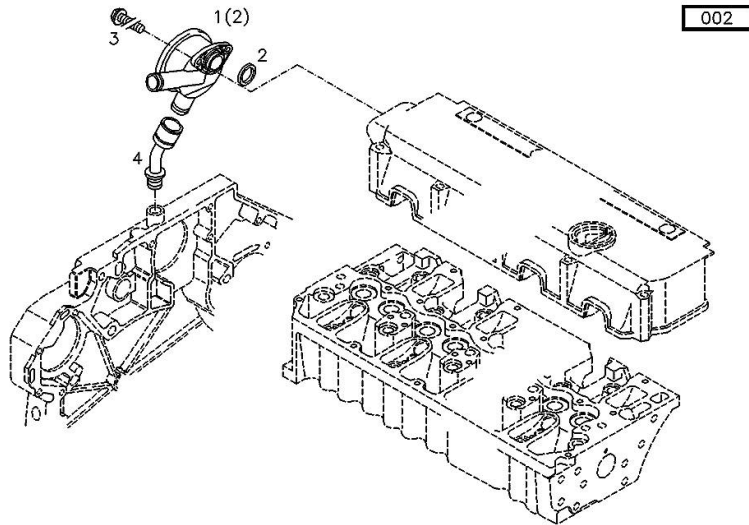
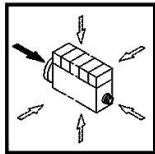
Section: B0 - ENGINE  
**CRANKCASE BREATHER**

Fig.	P/n	QTY	Name
------	-----	-----	------

**Notes:**  
 [XB MAX 100 -> 5001]

**Engine serial number:**

10361908 10394555 10398521 10398535 10408509 10423040 10423054 10423151 10423157 10423160 10423938  
 10423967 10444473 10444475 10455873 10455886 10455889 10455896 10457235 10465918 10478905 10483685  
 10483715 10483731 10483733 10486384 10486403 10490537 10490542 10490571 10498534 10498537 10498538  
 10498539 10498543 10498547 10498556 10498557 10498558 10498561 10508188 10512526 10530402 10533857  
 10538250 10538256 10538257 10538269 10538275 10554730 10570495 10584256 10606298 10618331 10618336  
 10670379 10670401 10670402 10670404 10670408 10670409 10674553 10683379 10707767 10707778 10727611  
 10727619 10733657 10748626 10748648 10748654 10748719 10748725 10748728 10748729 10748733 10750067  
 10750074 10750076 10750083 10750085 10750093 10750660 10755901 10780436



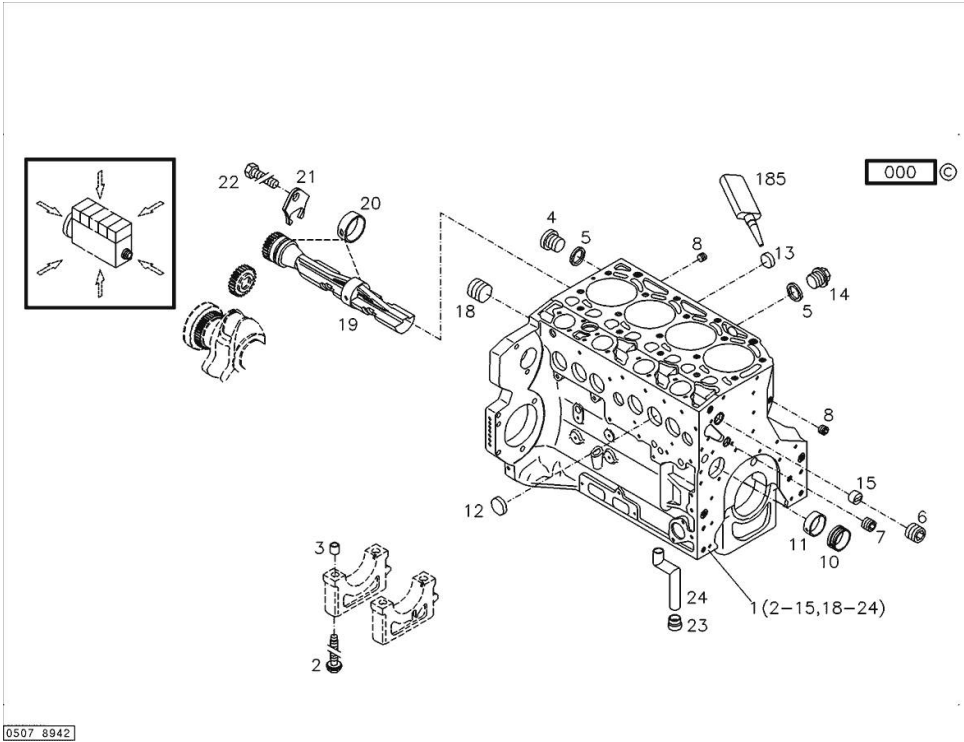
1	04203321	1	valve WITH POS.... (2)
2	04206233	1	gasket
3	01148431	2	screw - FROM THE MONTH OF ASSEMBLY SEE POS. ( B ) - UP TO THE MONTH OF ASSEMBLY ( A ) FROM THE MONTH OF ASSEMBLY A = 09.1995 B = POS. 950 ISO 4762 -M6X20-8.8-ZNAL-A
4	04207290	1	pipng
5	01124654	2	washer 6,4 d433 ISO 7092 -6-140HV-A4C*
950	01181965	2	screw - UP TO MONTH OF ASSEMBLY ( A ) - FROM MONTH OF ASSEMBLY SEE POS. ( B ) A = 08.1995 B = POS. 3 EN 1662 -F-M6X20-10.9-ZNAL-A

Section: B0 - ENGINE  
**KURBELGEHAEUSE**

Fig.	P/n	QTY	Name
------	-----	-----	------

Notes:  
[XB MAX 100 -> 5001]

**Engine serial number:**  
10361908 10394555 10398521 10398535 10408509 10423040 10423054 10423151 10423157 10423160 10423938  
10423967 10444473 10444475 10455873 10455886 10455889 10455896 10457235 10465918 10478905 10483685  
10483715 10483731 10483733 10486384 10486403 10490537 10490542 10490571 10498534 10498537 10498538  
10498539 10498543 10498547 10498556 10498557 10498558 10498561 10508188 10512526 10530402 10533857  
10538250 10538256 10538257 10538269 10538275 10554730 10570495 10584256 10606298 10618331 10618336  
10670379 10670401 10670402 10670404 10670408 10670409 10674553 10683379 10707767 10707778 10727611  
10727619 10733657



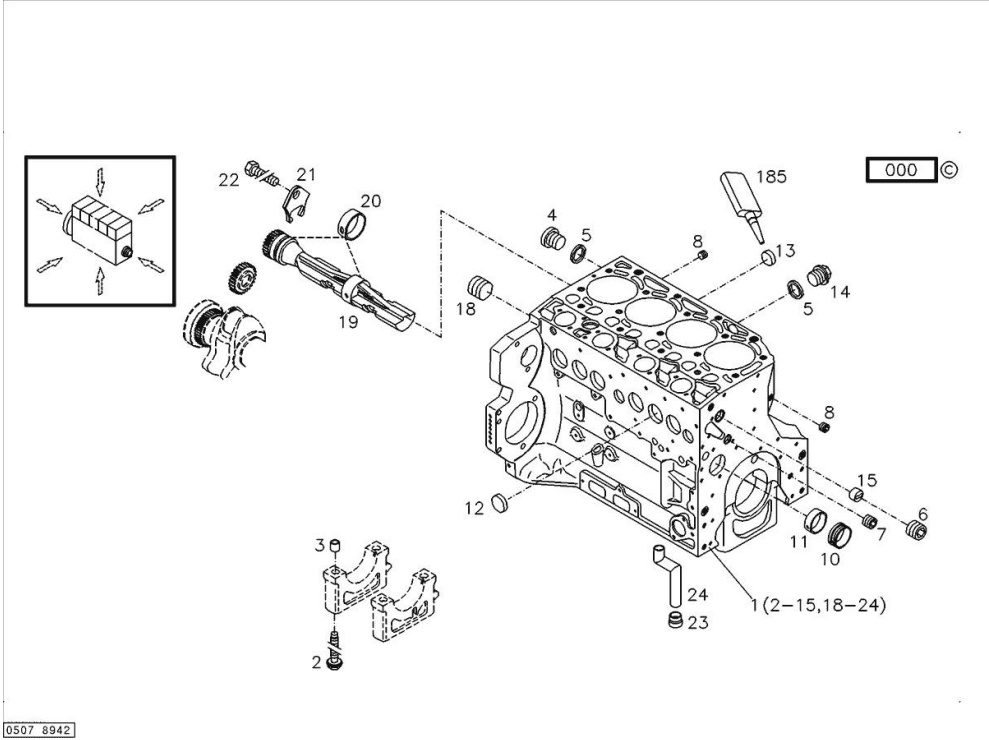
185	01319911	1	sealing compound ml. 50
1	04289939	1	crankcase MIT POS... (2-15,18-24)
2	04254240	10	screw 50 Nm , 90° , 90°
3	04160764	10	bushing
4	01110423	1	screw 35 Nm DIN 908 -M14X1,5-ST-ZNPHRF
5	01118693	3	gasket 14x20 DIN 7603 -A14X20-CU
6	01180890	1	screw 95 Nm H 2812 -906-M30X1,5-ST-A4C-PRE80
7	01180906	1	screw H 2812 -906-M22X1,5-ST-A4C-PRE80
8	01182031	2	screw 35 Nm H 2812 -906-M14X1,5-ST-A3C-LOCTITE506
10	04251884	4	plug
11	04250086	1	ring
12	01148032	6	cover DIN 443 -A45-ZNPHR
13	01179634	4	plug H 2860 -A36-ST-FE/ZNPHR
14	01100940	2	screw 35 Nm DIN 7604 -AM14X1,5-ST-A4C
15	04202518	1	sleeve
18	04226536	1	bottom 30 Nm

0507 8942



Section: B0 - ENGINE  
KURBELGEHAEUSE

Fig.	P/n	QTY	Name
19	04259301	2	shaft
20	04252834	4	bush
21	04251810	2	plug
22	01181672	2	nut
23	04255998	1	ring
24	04254026	1	ring



0507 8942

**OIL FILLER NECK**

Fig.	P/n	QTY	Name
------	-----	-----	------

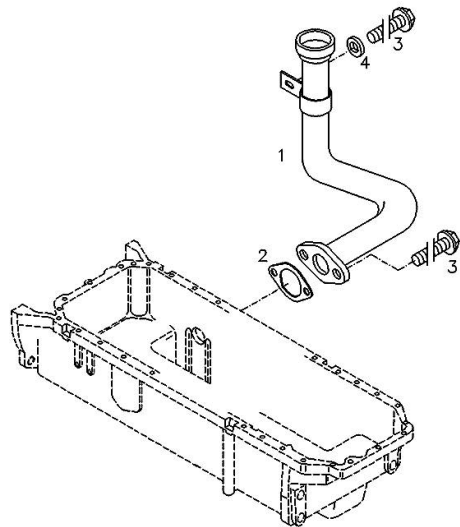
**Notes:**

[XB MAX 100 -> 5001]

**Engine serial number:**

10361908 10394555 10398521 10398535 10408509 10423040 10423054 10423151 10423157 10423160 10423938  
 10423967 10444473 10444475 10455873 10455886 10455889 10455896 10457235 10465918 10478905 10483685  
 10483715 10483731 10483733 10486384 10486403 10490537 10490542 10490571 10498534 10498537 10498538  
 10498539 10498543 10498547 10498556 10498557 10498558 10498561 10508188 10512526 10530402 10533857  
 10538250 10538256 10538257 10538269 10538275 10554730 10570495 10584256 10606298 10618331 10618336  
 10670379 10670401 10670402 10670404 10670408 10670409 10674553 10683379 10707767 10707778 10727611  
 10727619 10733657 10748626 10748648 10748654 10748719 10748725 10748728 10748729 10748733 10750067  
 10750074 10750076 10750083 10750085 10750093 10750660 10755901 10780436

000



1	04251494	1	tube
2	01178421	1	gasket DIN 71511 -35X58X1,5-DEUTZFW31
3	01181433	3	screw EN 1662 -F-M8X20-LG2,5-10.9-ZNAL-A
4	01214459	1	washer 8,5x20x5

**ACCESSORIES**

<b>Fig.</b>	<b>P/n</b>	<b>QTY</b>	<b>Name</b>
-------------	------------	------------	-------------

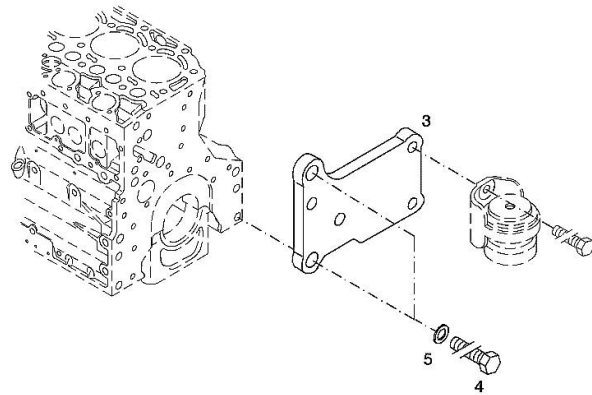
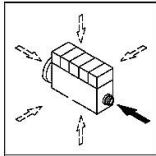
**Notes:**

[XB MAX 100 -> 5001]

**Engine serial number:**

10361908 10394555 10398521 10398535 10408509 10423040 10423054 10423151 10423157 10423160 10423938  
 10423967 10444473 10444475 10455873 10455886 10455889 10455896 10457235 10465918 10478905 10483685  
 10483715 10483731 10483733 10486384 10486403 10490537 10490542 10490571 10498534 10498537 10498538  
 10498539 10498543 10498547 10498556 10498557 10498558 10498561 10508188 10512526 10530402 10533857  
 10538250 10538256 10538257 10538269 10538275 10554730 10570495 10584256 10606298 10618331 10618336  
 10670379 10670401 10670402 10670404 10670408 10670409 10674553 10683379 10707767 10707778 10727611  
 10727619 10733657 10748626 10748648 10748654 10748719 10748725 10748728 10748729 10748733 10750067  
 10750074 10750076 10750083 10750085 10750093 10750660 10755901 10780436

006 ©



3	04288659	1	support
4	01148261	2	screw ISO 4017 -M16X40-10.9-ZNAL-A
5	01181400	2	washer H 2308 -18X25X1,5-A4C

Thank you so much for reading.  
Please click the “Buy Now!”  
button below to download the  
complete manual.



After you pay.

You can download the most  
perfect and complete manual in  
the world immediately.

Our support email:

[ebooklibonline@outlook.com](mailto:ebooklibonline@outlook.com)