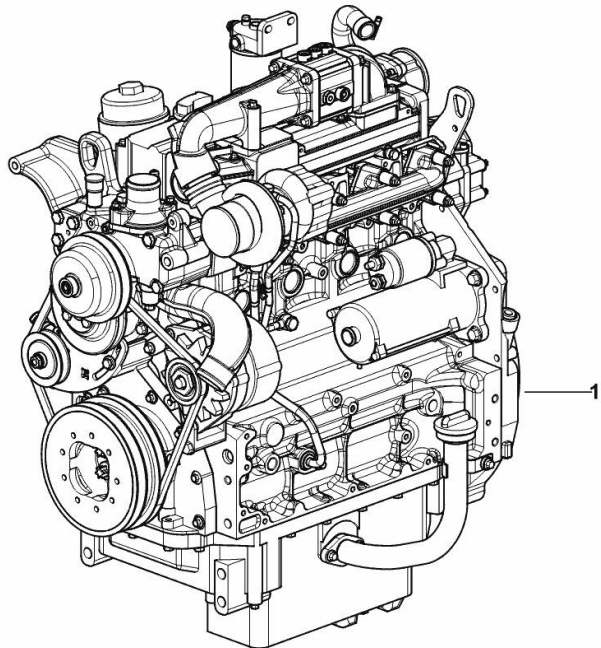


ENGINE

Fig.	P/n	QTY	Name
-------------	------------	------------	-------------

Notes:
[XB MAX 100 TRADITION]

1	25007152	1	engine ON ORDERING PLEASE ENGINE NO. REQUIRED
---	----------	---	---



9_N9219_01_0-A-001

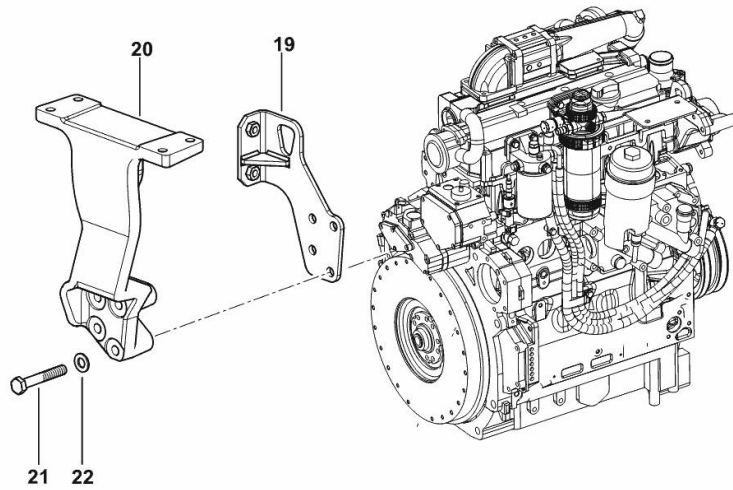
SUPPORTS

Fig.	P/n	QTY	Name
------	-----	-----	------

Notes:

[XB MAX 100 TRADITION]

19	0.014.9247.3/20	1	bracket
20	0.010.6442.0/10	1	bracket
21	2.0112.322.2	4	screw m 10 p.1.5x65
22	2.1475.003.2	4	washer 10



9_N9116_01_0-B-001

SERIE GUARNIZIONI

Fig.	P/n	QTY	Name
------	-----	-----	------

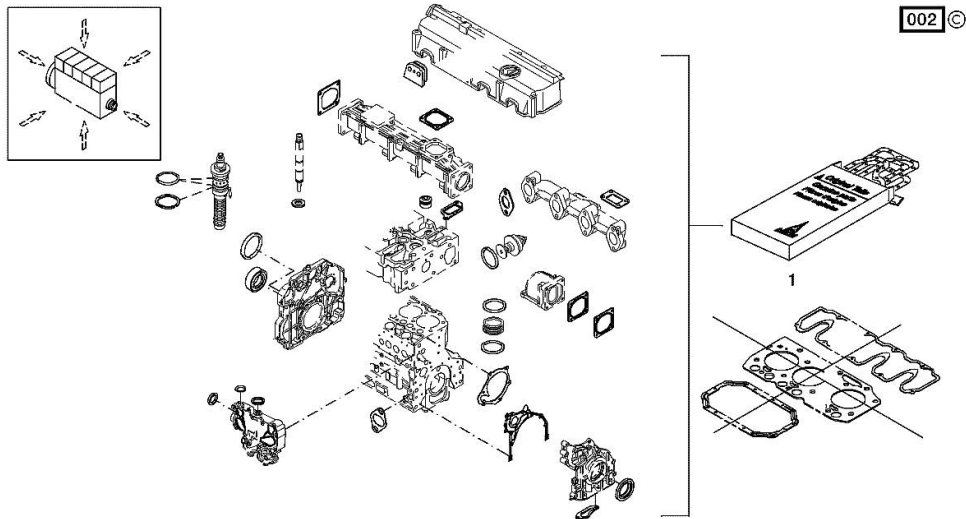
Notes:

[XB MAX 100 TRADITION]

Engine serial number:

10448707 10449505 10449508 10449514 10511671 10511680 10511682 10511685 10511688 10511691 10511692
 10724069 10731254 10731261 10740255 10740266 10742184 10744384 10744392 10782432

1	02937585	1	gasket set THE KIT DOES NOT CONTAIN ALL THE GASKETS: SEE SM 0199-99-9449
---	----------	---	--



FASTENINGS

Fig.	P/n	QTY	Name
------	-----	-----	------

Notes:

[XB MAX 100 TRADITION]

Engine serial number:

10448707 10449505 10449508 10449514 10511671 10511680 10511682 10511685 10511688 10511691 10511692
 10724069 10731254 10731261 10740255 10740266 10742184 10744384 10744392 10782432

1	01183645	12	screw EN 1662 -F-M8X35-10.9-ZNAL-A
2	04504325	1	gasket
3	01181406	1	bushing H 2341 -B11X8-FE/ZN12C*



BUSH

Fig.	P/n	QTY	Name
------	-----	-----	------

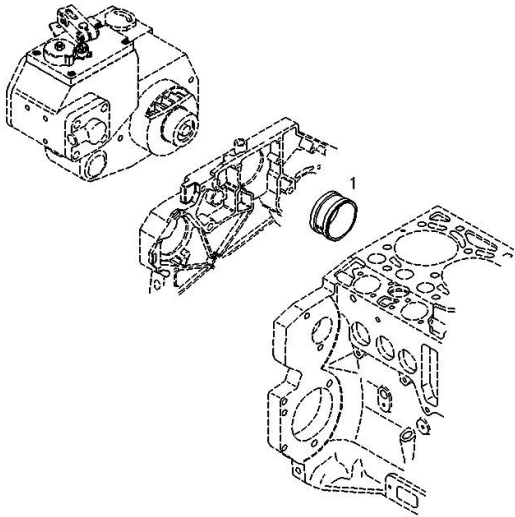
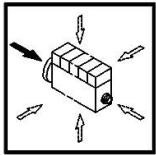
Notes:

[XB MAX 100 TRADITION]

Engine serial number:

10448707 10449505 10449508 10449514 10511671 10511680 10511682 10511685 10511688 10511691 10511692
 10724069 10731254 10731261 10740255 10740266 10742184 10744384 10744392 10782432

1	02111679	1	bush
---	----------	---	------



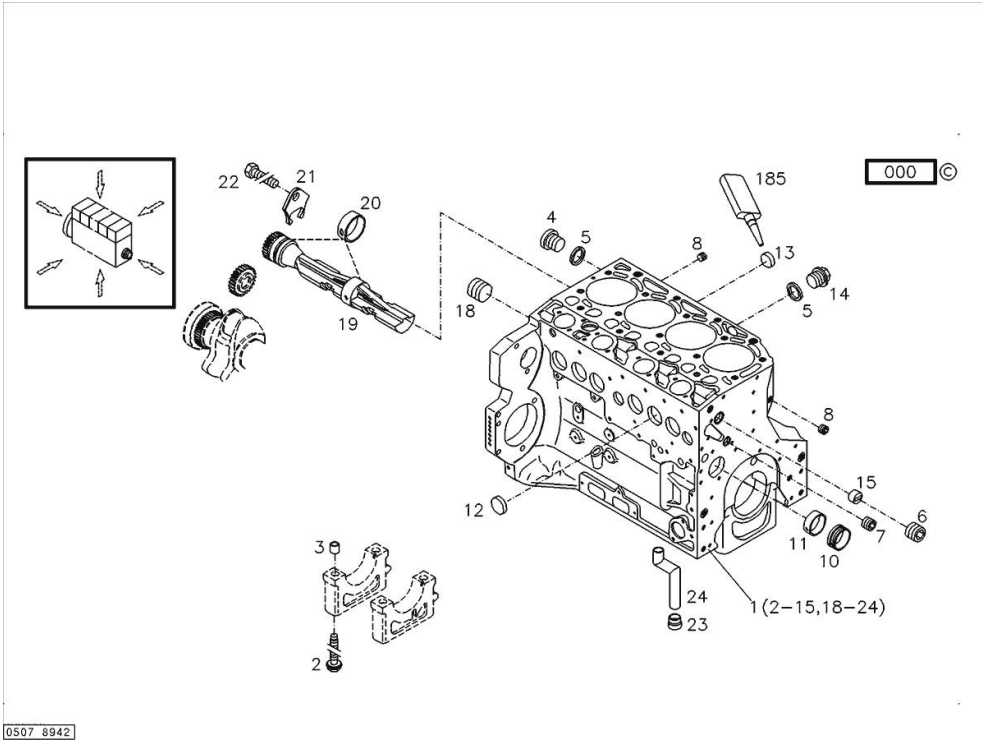
002

0507 2810

Fig.	P/n	QTY	Name
------	-----	-----	------

Notes:
 [XB MAX 100 TRADITION]

Engine serial number:
 10448707 10449505 10449508 10449514 10511671 10511680 10511682 10511685 10511688 10511691 10511692
 10724069 10731254 10731261

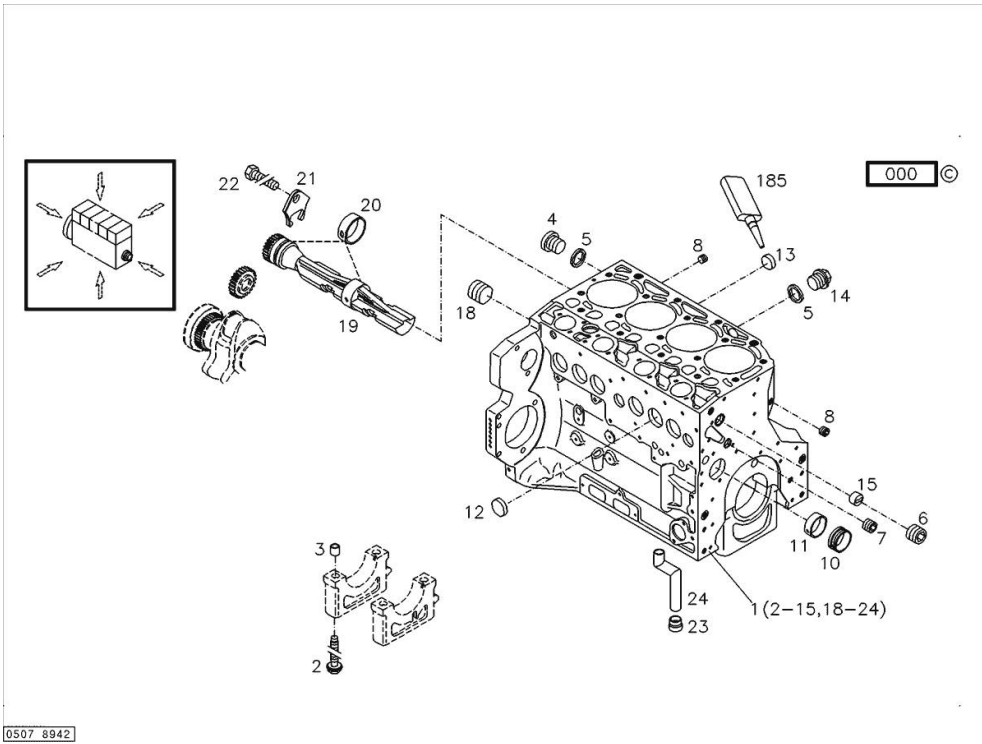


185	01319911	1	sealing compound ml. 50
1	04289939	1	crankcase MIT POS... (2-15,18-24)
2	04254240	10	screw 50 Nm , 90° , 90°
3	04160764	10	bushing
4	01110423	1	screw 35 Nm DIN 908 -M14X1,5-ST-ZNPHRF
5	01118693	3	gasket 14x20 DIN 7603 -A14X20-CU
6	01180890	1	screw 95 Nm H 2812 -906-M30X1,5-ST-A4C-PRE80
7	01180906	1	screw H 2812 -906-M22X1,5-ST-A4C-PRE80
8	01182031	2	screw 35 Nm H 2812 -906-M14X1,5-ST-A3C-LOCTITE506
10	04251884	4	plug
11	04250086	1	ring
12	01148032	6	cover DIN 443 -A45-ZNPHR
13	01179634	4	plug H 2860 -A36-ST-FE/ZNPHR
14	01100940	2	screw 35 Nm DIN 7604 -AM14X1,5-ST-A4C
15	04202518	1	sleeve
18	04226536	1	bottom 30 Nm
19	04259301	2	shaft
20	04252834	4	bush
21	04251810	2	plug
22	01181672	2	nut H 2091 -4017-M8X16-10.9-GESCHW-MK-1.0

0507 8942

KURBELGEHAEUSE

Fig.	P/n	QTY	Name
23	04255998	1	ring
24	04254026	1	pipng



BLEEDING TUBE

Fig.	P/n	QTY	Name
------	-----	-----	------

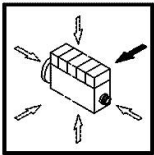
Notes:

[XB MAX 100 TRADITION]

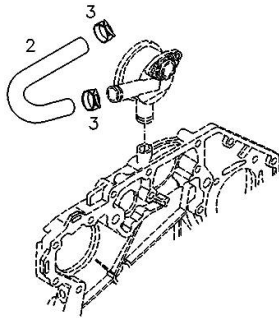
Engine serial number:

10448707 10449505 10449508 10449514 10511671 10511680 10511682 10511685 10511688 10511691 10511692
 10724069 10731254 10731261 10740255 10740266 10742184 10744384 10744392 10782432

2	04258132	1	tube
3	01178750	2	clamp
DIN 3021 -A-29X15			



000 ©



0507 8829

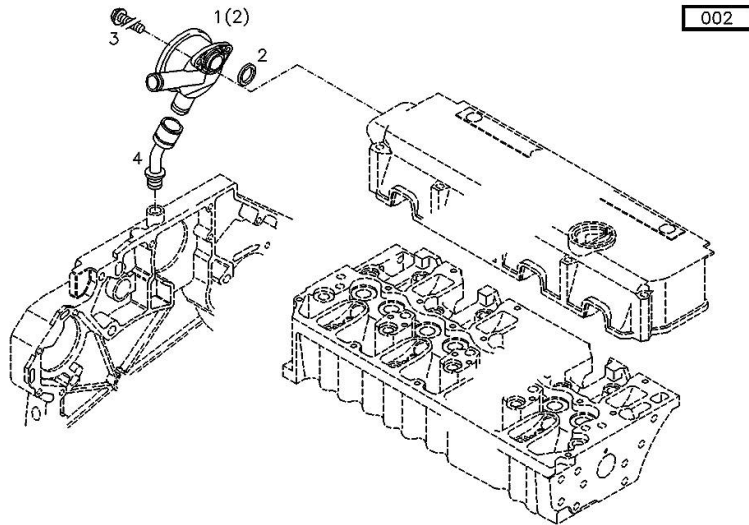
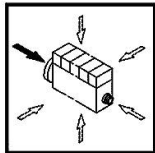
CRANKCASE BREATHER

Fig.	P/n	QTY	Name
------	-----	-----	------

Notes:
[XB MAX 100 TRADITION]

Engine serial number:
10448707 10449505 10449508 10449514 10511671 10511680 10511682 10511685 10511688 10511691 10511692
10724069 10731254 10731261 10740255 10740266 10742184 10744384 10744392 10782432

1	04203321	1	valve WITH POS.... (2)
2	04206233	1	gasket
3	01148431	2	screw - FROM THE MONTH OF ASSEMBLY SEE POS. (B) - UP TO THE MONTH OF ASSEMBLY (A) FROM THE MONTH OF ASSEMBLY A = 09.1995 B = POS. 950 ISO 4762 -M6X20-8.8-ZNAL-A
4	04207290	1	pipng
5	01124654	2	washer 6,4 d433 ISO 7092 -6-140HV-A4C*
950	01181965	2	screw - UP TO MONTH OF ASSEMBLY (A) - FROM MONTH OF ASSEMBLY SEE POS. (B) A = 08.1995 B = POS. 3 EN 1662 -F-M6X20-10.9-ZNAL-A



OIL FILLER NECK

Fig.	P/n	QTY	Name
------	-----	-----	------

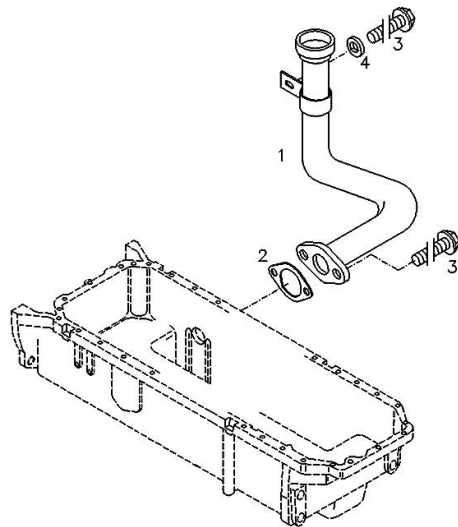
Notes:

[XB MAX 100 TRADITION]

Engine serial number:

10448707 10449505 10449508 10449514 10511671 10511680 10511682 10511685 10511688 10511691 10511692
 10724069 10731254 10731261 10740255 10740266 10742184 10744384 10744392 10782432

1	04251494	1	tube
2	01178421	1	gasket DIN 71511 -35X58X1,5-DEUTZFW31
3	01181433	3	screw EN 1662 -F-M8X20-LG2,5-10.9-ZNAL-A
4	01214459	1	washer 8,5x20x5



000

ACCESSORIES

Fig.	P/n	QTY	Name
------	-----	-----	------

Notes:

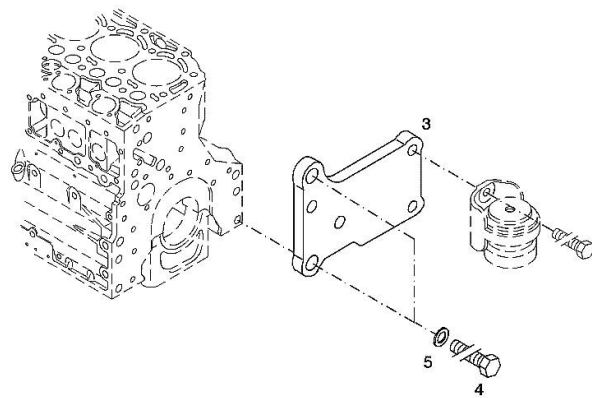
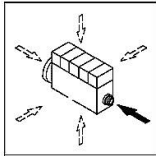
[XB MAX 100 TRADITION]

Engine serial number:

10448707 10449505 10449508 10449514 10511671 10511680 10511682 10511685 10511688 10511691 10511692
 10724069 10731254 10731261 10740255 10740266 10742184 10744384 10744392 10782432

3	04288659	1	support
4	01148261	2	screw ISO 4017 -M16X40-10.9-ZNAL-A
5	01181400	2	washer H 2308 -18X25X1,5-A4C

006 ©



Thank you so much for reading.
Please click the “Buy Now!”
button below to download the
complete manual.



After you pay.

You can download the most
perfect and complete manual in
the world immediately.

Our support email:

ebooklibonline@outlook.com