

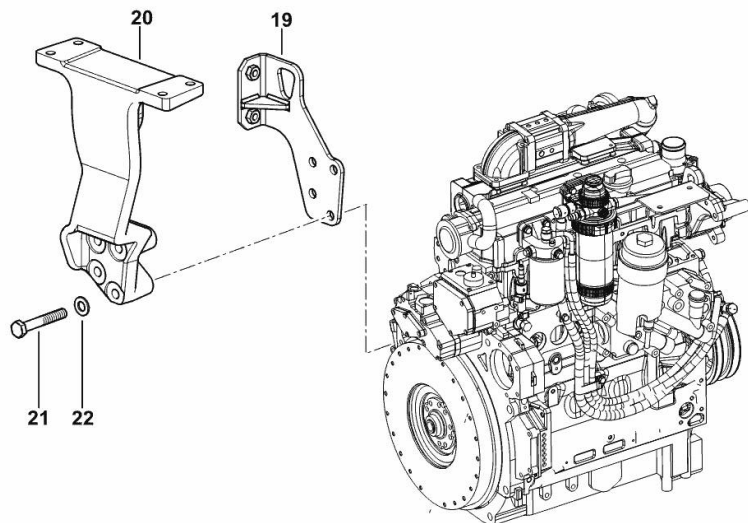
SUPPORTS

Fig.	P/n	QTY	Name
------	-----	-----	------

Notes:

[XB MAX 110 -> 1001]

19	0.014.9247.3/20	1	bracket
20	0.010.6442.0/10	1	bracket
21	2.0112.322.2	4	screw m 10 p.1.5x65
22	2.1475.003.2	4	washer 10



9_O3016_01_0-B-001

FASTENINGS

Fig.	P/n	QTY	Name
------	-----	-----	------

Notes:

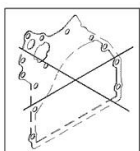
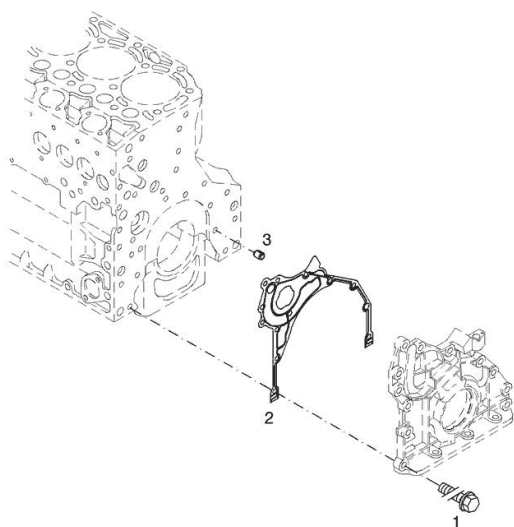
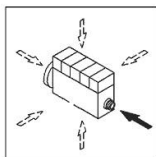
[XB MAX 110 -> 1001]

Engine serial number:

10793422 10793424 10793426 10793428 10793429 10793431 10800803 10805836 10817195 10831164 10831166
 10831168 10832324 10844769 10863561 10863565 10868189 10869448 10872474 10876213 10877963 10895568
 10895571 10896261 10922371 10925147 10957250 10973272 10973363 10973365 10986672 10986903 11003639
 11003666 11006363 11006365 11083020 11083021 11083077 11084035 11100955 11125061 11125066 11131175
 11155355 11155356 11155392 11185863 11212322 11212323 11212329 11212356 11212368

003 ©

1	01183645	12	screw EN 1662 -F-M8X35-10.9-ZNAL-A
2	04504325	1	gasket
3	01181406	1	bushing H 2341 -B11X8-FE/ZN12C*



BLEEDING TUBE

Fig.	P/n	QTY	Name
------	-----	-----	------

Notes:

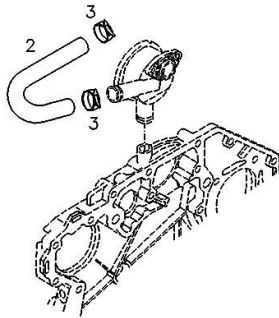
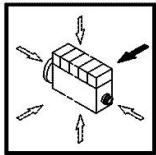
[XB MAX 110 -> 1001]

Engine serial number:

10793422 10793424 10793426 10793428 10793429 10793431 10800803 10805836 10817195 10831164 10831166
 10831168 10832324 10844769 10863561 10863565 10868189 10869448 10872474 10876213 10877963 10895568
 10895571 10896261 10922371 10925147 10957250 10973272 10973363 10973365 10986672 10986903 11003639
 11003666 11006363 11006365 11083020 11083021 11083077 11084035 11100955 11125061 11125066 11131175
 11155355 11155356 11155392 11185863 11212322 11212323 11212329 11212356 11212368

2	04258132	1	tube
3	01178750	2	clamp DIN 3021 -A-29X15

000 ©



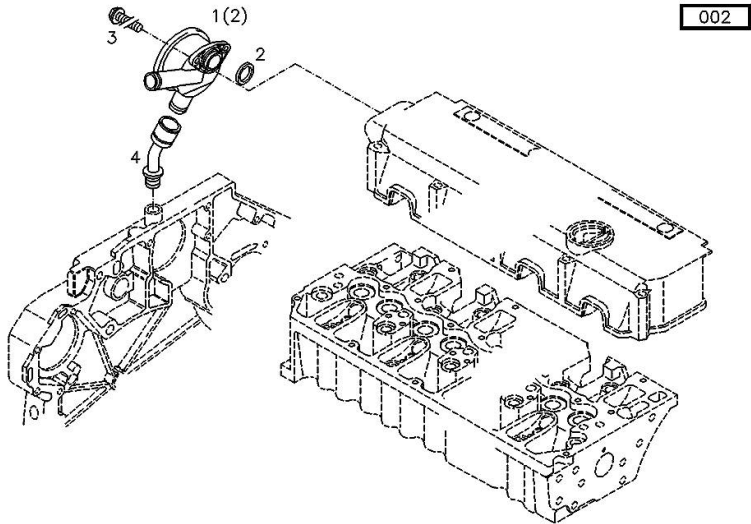
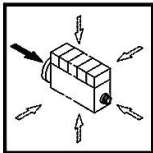
Section: B0 - ENGINE
CRANKCASE BREATHER

Fig.	P/n	QTY	Name
------	-----	-----	------

Notes:
[XB MAX 110 -> 1001]

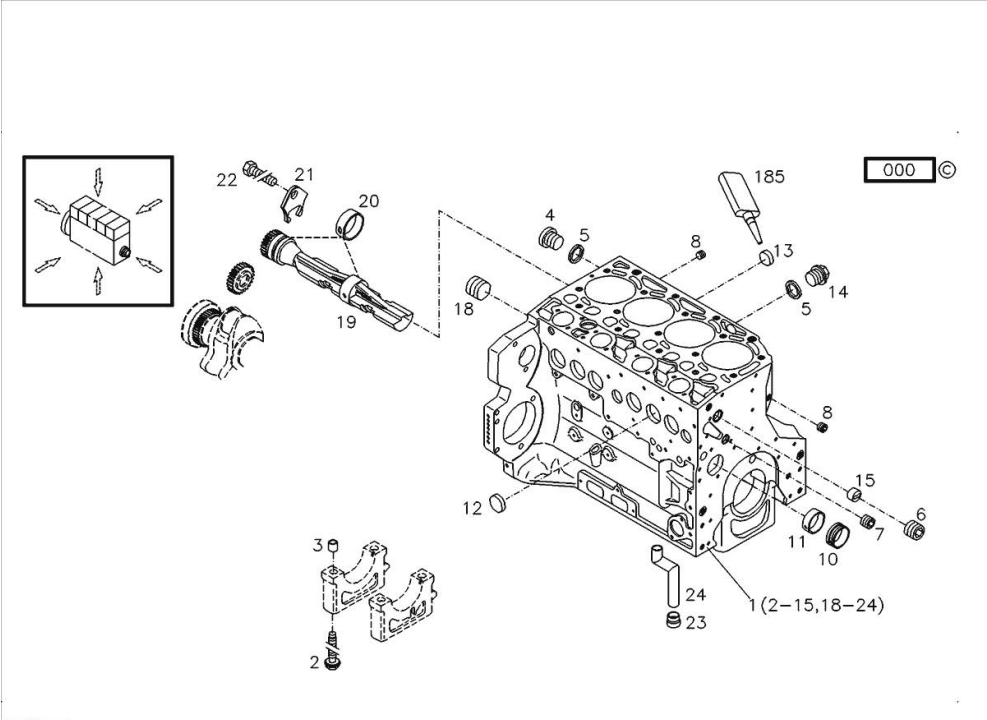
Engine serial number:
10793422 10793424 10793426 10793428 10793429 10793431 10800803 10805836 10817195 10831164 10831166
10831168 10832324 10844769 10863561 10863565 10868189 10869448 10872474 10876213 10877963 10895568
10895571 10896261 10922371 10925147 10957250 10973272 10973363 10973365 10986672 10986903 11003639
11003666 11006363 11006365 11083020 11083021 11083077 11084035 11100955 11125061 11125066 11131175
11155355 11155356 11155392 11185863 11212322 11212323 11212329 11212356 11212368

1	04203321	1	valve WITH POS.... (2)
2	04206233	1	gasket
3	01148431	2	screw - FROM THE MONTH OF ASSEMBLY SEE POS. (B) - UP TO THE MONTH OF ASSEMBLY (A) FROM THE MONTH OF ASSEMBLY A = 09.1995 B = POS. 950 ISO 4762 -M6X20-8.8-ZNAL-A
4	04207290	1	pipng
5	01124654	2	washer 6,4 d433 ISO 7092 -6-140HV-A4C*
950	01181965	2	screw - UP TO MONTH OF ASSEMBLY (A) - FROM MONTH OF ASSEMBLY SEE POS. (B) A = 08.1995 B = POS. 3 EN 1662 -F-M6X20-10.9-ZNAL-A



0507 1876

Section: B0 - ENGINE
KURBELGEHAEUSE



0507 8942

Fig.	P/n	QTY	Name
Notes:			
[XB MAX 110 -> 1001]			
185	01319911	1	sealing compound ml. 50
1	04289939	1	crankcase MIT POS.... (2-15,18-24)
2	04254240	10	screw 50 Nm , 90° , 90°
3	04160764	10	bushing
4	01110423	1	screw 35 Nm DIN 908 -M14X1,5-ST-ZNPHRF
5	01118693	3	gasket 14x20 DIN 7603 -A14X20-CU
6	01180890	1	screw 95 Nm H 2812 -906-M30X1,5-ST-A4C-PRE80
7	01180906	1	screw H 2812 -906-M22X1,5-ST-A4C-PRE80
8	01182031	2	screw 35 Nm H 2812 -906-M14X1,5-ST-A3C-LOCTITE506
10	04251884	4	plug
11	04250086	1	ring
12	01148032	6	cover DIN 443 -A45-ZNPHR
13	01179634	4	plug H 2860 -A36-ST-FE/ZNPHR
14	01100940	2	screw 35 Nm DIN 7604 -AM14X1,5-ST-A4C
15	04202518	1	sleeve
18	04226536	1	bottom 30 Nm
19	04259301	2	shaft
20	04252834	4	bush
21	04251810	2	plug
22	01181672	2	nut H 2091 -4017-M8X16-10.9-GESCHW-MK-1.0
23	04255998	1	ring
24	04254026	1	piping

OIL FILLER NECK

Fig.	P/n	QTY	Name
------	-----	-----	------

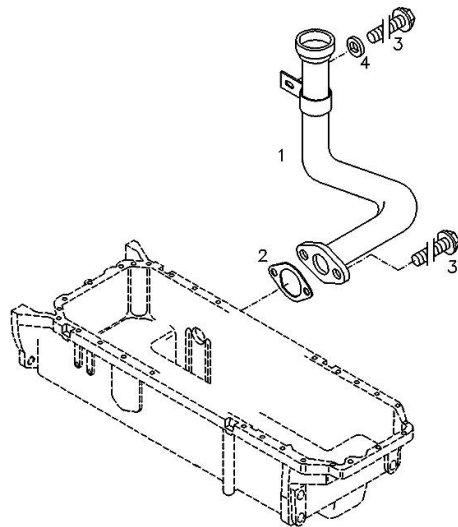
Notes:

[XB MAX 110 -> 1001]

Engine serial number:

10793422 10793424 10793426 10793428 10793429 10793431 10800803 10805836 10817195 10831164 10831166
 10831168 10832324 10844769 10863561 10863565 10868189 10869448 10872474 10876213 10877963 10895568
 10895571 10896261 10922371 10925147 10957250 10973272 10973363 10973365 10986672 10986903 11003639
 11003666 11006363 11006365 11083020 11083021 11083077 11084035 11100955 11125061 11125066 11131175
 11155355 11155356 11155392 11185863 11212322 11212323 11212329 11212356 11212368

1	04251494	1	tube
2	01178421	1	gasket DIN 71511 -35X58X1,5-DEUTZFW31
3	01181433	3	screw EN 1662 -F-M8X20-LG2,5-10.9-ZNAL-A
4	01214459	1	washer 8,5x20x5



000

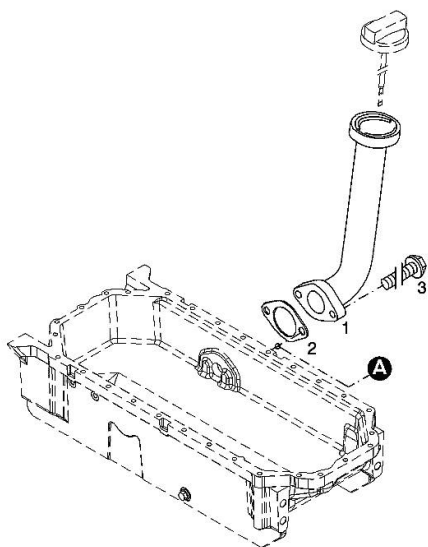
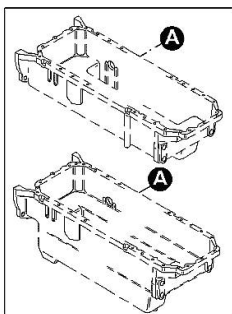
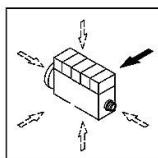
OIL FILLER NECK

Fig.	P/n	QTY	Name
------	-----	-----	------

Notes:

[XB MAX 110 -> 1001]

1	04207099	1	tube
2	01178421	1	gasket
3	01181433	2	screw
			30 Nm



001 ©

ACCESSORIES

Fig.	P/n	QTY	Name
-------------	------------	------------	-------------

Notes:

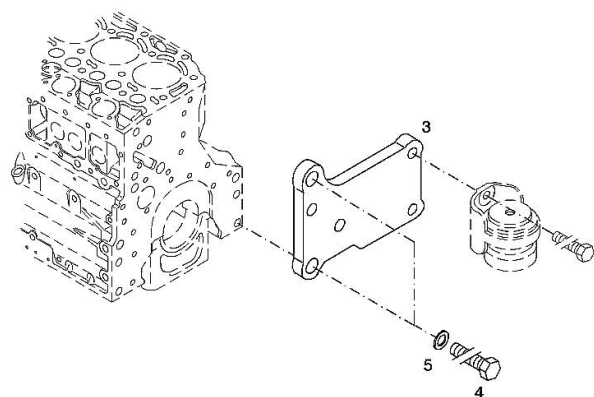
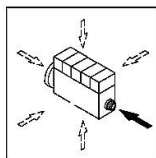
[XB MAX 110 -> 1001]

Engine serial number:

10793422 10793424 10793426 10793428 10793429 10793431 10800803 10805836 10817195 10831164 10831166
 10831168 10832324 10844769 10863561 10863565 10868189 10869448 10872474 10876213 10877963 10895568
 10895571 10896261 10922371 10925147 10957250 10973272 10973363 10973365 10986672 10986903 11003639
 11003666 11006363 11006365 11083020 11083021 11083077 11084035 11100955 11125061 11125066 11131175
 11155355 11155356 11155392 11185863 11212322 11212323 11212329 11212356 11212368

006 ©

3	04288659	1	support
4	01148261	2	screw ISO 4017 -M16X40-10.9-ZNAL-A
5	01181400	2	washer H 2308 -18X25X1,5-A4C

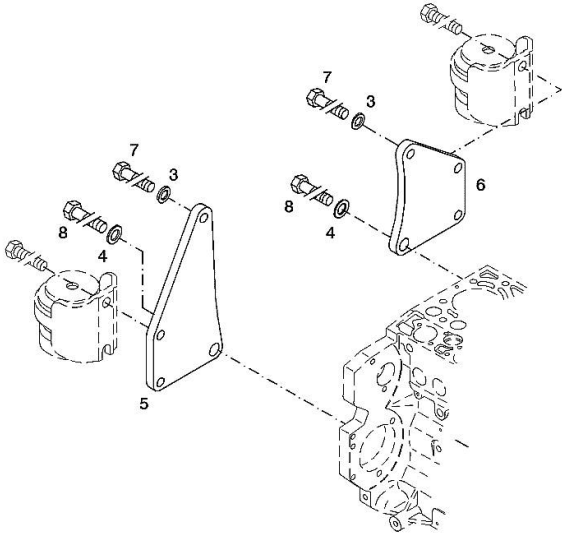
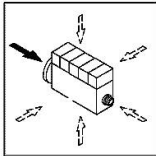


ACCESSORIES

Fig.	P/n	QTY	Name
------	-----	-----	------

Notes:
[XB MAX 110 -> 1001]

Engine serial number:
10793422 10793424 10793426 10793428 10793429 10793431 10800803 10805836 10817195 10831164 10831166
10831168 10832324 10844769 10863561 10863565 10868189 10869448 10872474 10876213 10877963 10895568
10895571 10896261 10922371 10925147 10957250 10973272 10973363 10973365 10986672 10986903 11003639
11003666 11006363 11006365 11083020 11083021 11083077 11084035 11100955 11125061 11125066 11131175
11155355 11155356 11155392 11185863 11212322 11212323 11212329 11212356 11212368



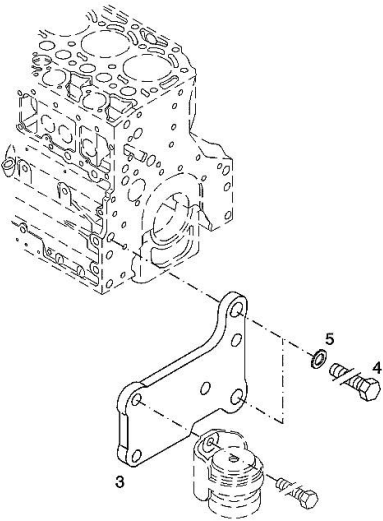
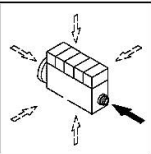
003 ©	3	01182016	2	disc H 2308 -13X24X3-ZNAL-A
	4	01181400	2	washer H 2308 -18X25X1,5-A4C
	5	04206926	1	plate dx/rh/re
	6	04206927	1	plate sx/lh/li
	7	01148137	2	screw - UP TO MONTH OF ASSEMBLY (A) - FROM MONTH OF ASSEMBLY SEE POS. (B) A = 06.2009 B = POS. 950 DIN 931 -M12X75-10.9-ZNAL-A
	8	01148037	2	screw UP TO MONTH OF ASSEMBLY (A) - FROM MONTH OF ASSEMBLY SEE POS. (B) A = 06.2009 B = POS. 951 ISO 4014 -M16X75-10.9-OELGESCHW
	950	01149017	2	screw - FROM MONTH OF ASSEMBLY SEE POS. (B) - UP TO MONTH OF ASSEMBLY (A) FROM MONTH OF ASSEMBLY A = 07.2009 B = 7 DIN 34800 -BM12X75-10.9-ZNAL-A
	951	01180235	2	screw - FROM MONTH OF ASSEMBLY SEE POS. (B) - UP TO MONTH OF ASSEMBLY (A) FROM MONTH OF ASSEMBLY A = 07.2009 B= Pos.8 H 2032 -HBM16X75-10.9-GESCHW

ACCESSORIES

Fig.	P/n	QTY	Name
------	-----	-----	------

Notes:
 [XB MAX 110 -> 1001]

Engine serial number:
 10793422 10793424 10793426 10793428 10793429 10793431 10800803 10805836 10817195 10831164 10831166
 10831168 10832324 10844769 10863561 10863565 10868189 10869448 10872474 10876213 10877963 10895568
 10895571 10896261 10922371 10925147 10957250 10973272 10973363 10973365 10986672 10986903 11003639
 11003666 11006363 11006365 11083020 11083021 11083077 11084035 11100955 11125061 11125066 11131175
 11155355 11155356 11155392 11185863 11212322 11212323 11212329 11212356 11212368



003 ©

3	04288660	1	support
4	01148261	2	screw ISO 4017 -M16X40-10.9-ZNAL-A
5	01181400	2	washer H 2308 -18X25X1,5-A4C

FILLER CAP

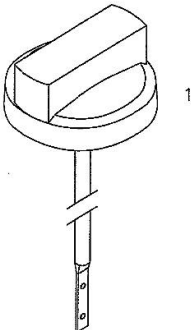
Fig.	P/n	QTY	Name
------	-----	-----	------

Notes:
[XB MAX 110 -> 1001]

Engine serial number:
10793422 10793424 10793426 10793428 10793429 10793431 10800803 10805836 10817195 10831164 10831166
10831168 10832324 10844769 10863561 10863565 10868189 10869448 10872474 10876213 10877963 10895568
10895571 10896261 10922371 10925147 10957250 10973272 10973363 10973365 10986672 10986903 11003639
11003666 11006363 11006365 11083020 11083021 11083077 11084035 11100955 11125061 11125066 11131175
11155355 11155356 11155392 11185863 11212322 11212323 11212329 11212356 11212368

000

1	01180286	1	plug H 2875 -B2-OL40-166X4-130X12
---	----------	---	--------------------------------------



Thank you so much for reading.
Please click the “Buy Now!”
button below to download the
complete manual.



After you pay.

You can download the most
perfect and complete manual in
the world immediately.

Our support email:

ebooklibonline@outlook.com