

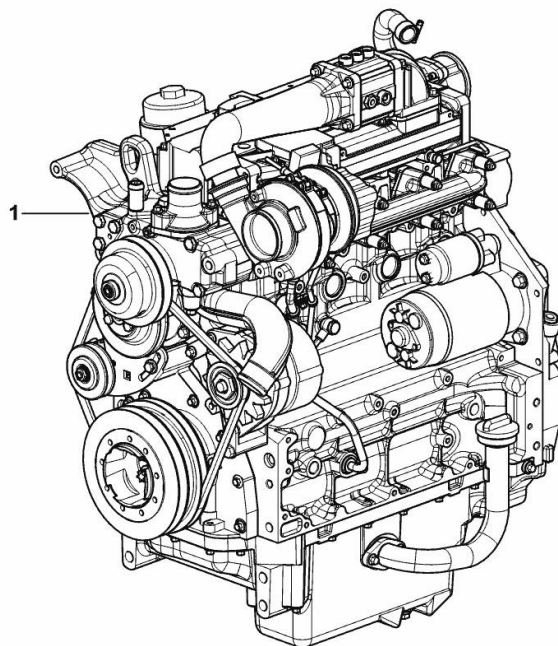
**ENGINE**

<b>Fig.</b>	<b>P/n</b>	<b>QTY</b>	<b>Name</b>
-------------	------------	------------	-------------

**Notes:**

EXPORT USA [XB MAX 85 -> 16001]

1	25009885	1	engine ON ORDERING PLEASE ENGINE NO. REQUIRED
---	----------	---	---



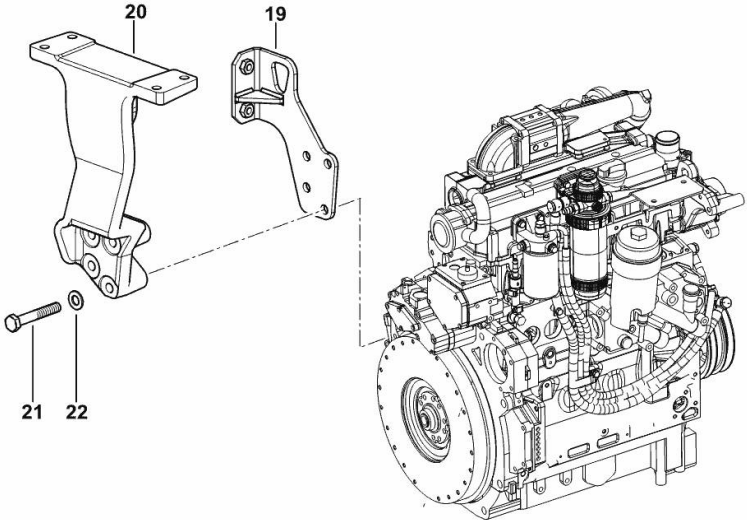
9\_O2919\_07\_0-A-001

**SUPPORTS**

<b>Fig.</b>	<b>P/n</b>	<b>QTY</b>	<b>Name</b>
-------------	------------	------------	-------------

**Notes:**  
[XB MAX 85 -> 16001]

19	0.014.9247.3/20	1	bracket
20	0.010.6442.0/10	1	bracket
21	2.0112.322.2	4	screw m 10 p.1.5x65
22	2.1475.003.2	4	washer 10



9\_O3016\_01\_0-B-001

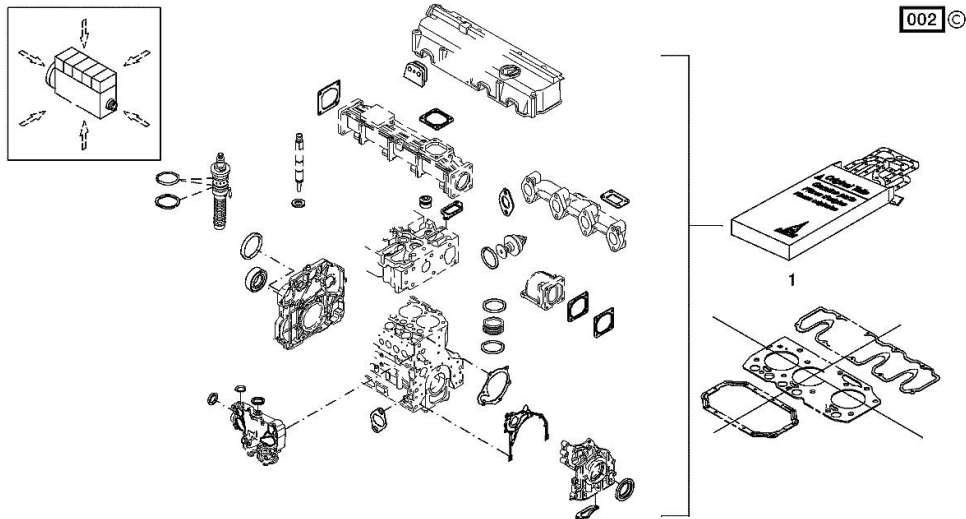
Section: B0 - ENGINE  
**SERIE GUARNIZIONI**

Fig.	P/n	QTY	Name
------	-----	-----	------

**Notes:**  
 [XB MAX 85 -> 16001]

**Engine serial number:**  
 10823713 10823715 10823719 10823720 10823733 10825252 10842406 10842700 10842708 10848751 10863120  
 10863658 10871012 10969116 11068335 11126845 11205272

1	02937585	1	gasket set THE KIT DOES NOT CONTAIN ALL THE GASKETS: SEE SM 0199-99-9449
---	----------	---	--



**FASTENINGS**

<b>Fig.</b>	<b>P/n</b>	<b>QTY</b>	<b>Name</b>
-------------	------------	------------	-------------

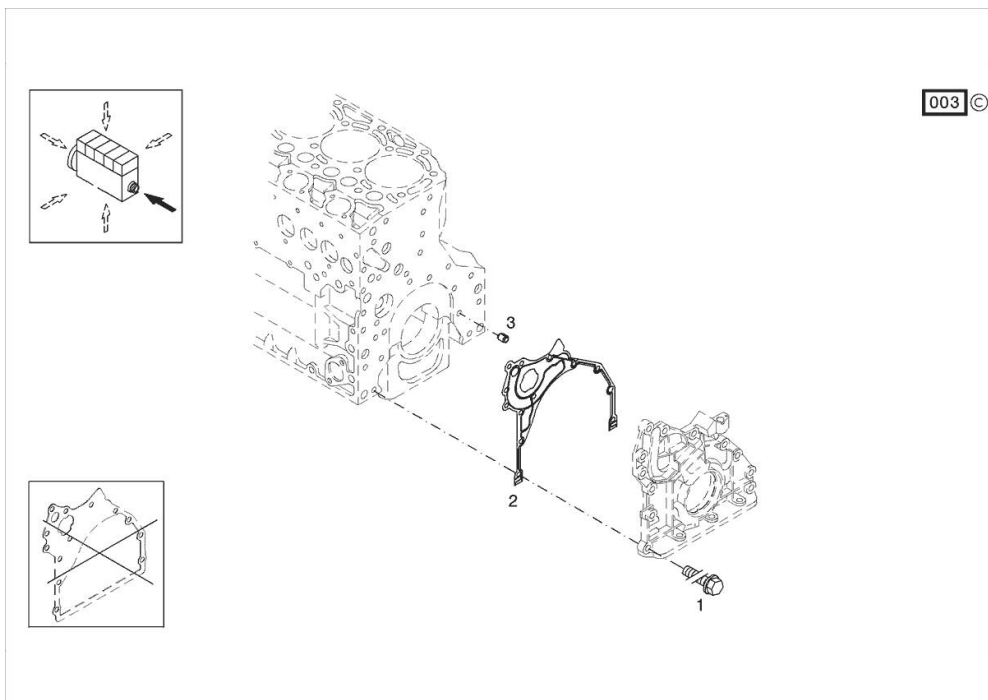
**Notes:**

[XB MAX 85 -> 16001]

**Engine serial number:**

10823713 10823715 10823719 10823720 10823733 10825252 10842406 10842700 10842708 10848751 10863120  
10863658 10871012 10969116 11068335 11126845 11205272

1	01183645	12	screw EN 1662 -F-M8X35-10.9-ZNAL-A
2	04504325	1	gasket
3	01181406	1	bushing H 2341 -B11X8-FE/ZN12C*



Section: B0 - ENGINE

**BLEEDING TUBE**

Fig.	P/n	QTY	Name
------	-----	-----	------

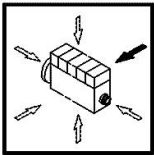
**Notes:**

[XB MAX 85 -> 16001]

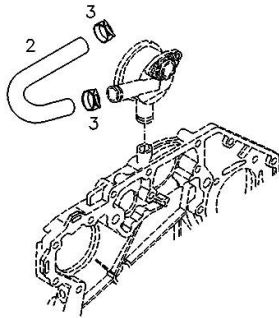
**Engine serial number:**

10823713 10823715 10823719 10823720 10823733 10825252 10842406 10842700 10842708 10848751 10863120  
10863658 10871012 10969116 11068335 11126845 11205272

2	04258132	1	tube
3	01178750	2	clamp DIN 3021 -A-29X15



000 ©



0507 8829

**CRANKCASE BREATHER**

Fig.	P/n	QTY	Name
------	-----	-----	------

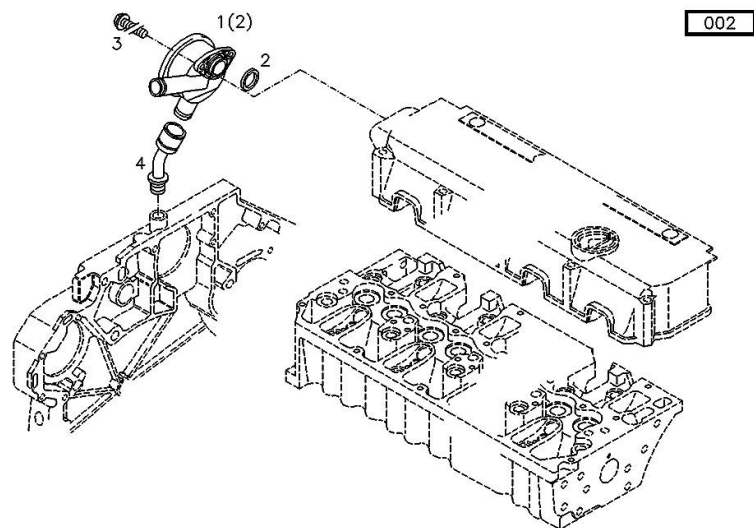
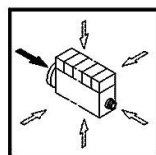
**Notes:**

[XB MAX 85 -> 16001]

**Engine serial number:**

10823713 10823715 10823719 10823720 10823733 10825252 10842406 10842700 10842708 10848751 10863120  
10863658 10871012 10969116 11068335 11126845 11205272

1	04203321	1	valve WITH POS.... (2)
2	04206233	1	gasket
3	01148431	2	screw - FROM THE MONTH OF ASSEMBLY SEE POS. ( B ) - UP TO THE MONTH OF ASSEMBLY ( A ) FROM THE MONTH OF ASSEMBLY A = 09.1995 B = POS. 950 ISO 4762 -M6X20-8.8-ZNAL-A
4	04207290	1	pipng
5	01124654	2	washer 6,4 d433 ISO 7092 -6-140HV-A4C*
950	01181965	2	screw - UP TO MONTH OF ASSEMBLY ( A ) - FROM MONTH OF ASSEMBLY SEE POS. ( B ) A = 08.1995 B = POS. 3 EN 1662 -F-M6X20-10.9-ZNAL-A

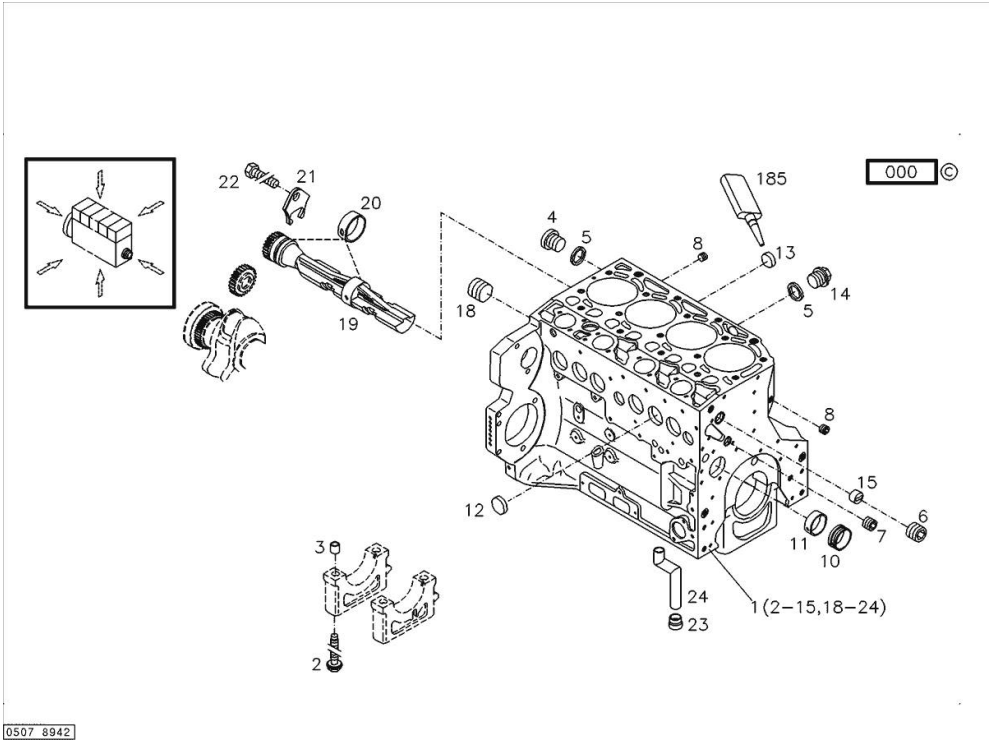


Section: B0 - ENGINE  
KURBELGEHAEUSE

Fig.	P/n	QTY	Name
------	-----	-----	------

Notes:  
[XB MAX 85 -> 16001]

185	01319911	1	sealing compound ml. 50
1	04289939	1	crankcase MIT POS.... (2-15,18-24)
2	04254240	10	screw 50 Nm , 90° , 90°
3	04160764	10	bushing
4	01110423	1	screw 35 Nm DIN 908 -M14X1,5-ST-ZNPHRF
5	01118693	3	gasket 14x20 DIN 7603 -A14X20-CU
6	01180890	1	screw 95 Nm H 2812 -906-M30X1,5-ST-A4C-PRE80
7	01180906	1	screw H 2812 -906-M22X1,5-ST-A4C-PRE80
8	01182031	2	screw 35 Nm H 2812 -906-M14X1,5-ST-A3C-LOCTITE506
10	04251884	4	plug
11	04250086	1	ring
12	01148032	6	cover DIN 443 -A45-ZNPHR
13	01179634	4	plug H 2860 -A36-ST-FE/ZNPHR
14	01100940	2	screw 35 Nm DIN 7604 -AM14X1,5-ST-A4C
15	04202518	1	sleeve
18	04226536	1	bottom 30 Nm
19	04259301	2	shaft
20	04252834	4	bush
21	04251810	2	plug
22	01181672	2	nut H 2091 -4017-M8X16-10.9-GESCHW-MK-1.0
23	04255998	1	ring
24	04254026	1	piping



0507 8942

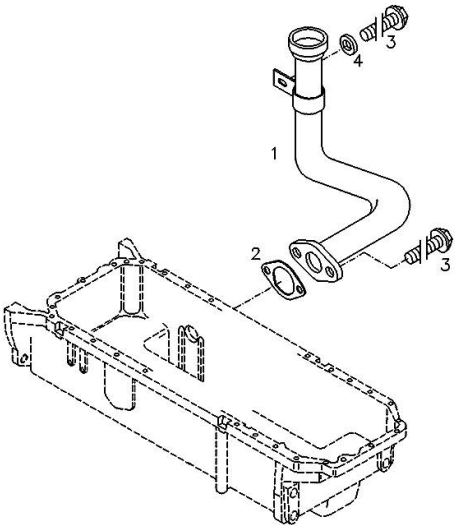
Section: B0 - ENGINE  
**OIL FILLER NECK**

Fig.	P/n	QTY	Name
------	-----	-----	------

Notes:  
[XB MAX 85 -> 16001]

Engine serial number:  
10823713 10823715 10823719 10823720 10823733 10825252 10842406 10842700 10842708 10848751 10863120  
10863658 10871012 10969116 11068335 11126845 11205272

1	04251494	1	tube
2	01178421	1	gasket DIN 71511 -35X58X1,5-DEUTZFW31
3	01181433	3	screw EN 1662 -F-M8X20-LG2,5-10.9-ZNAL-A
4	01214459	1	washer 8,5x20x5



000



**ACCESSORIES**

<b>Fig.</b>	<b>P/n</b>	<b>QTY</b>	<b>Name</b>
-------------	------------	------------	-------------

**Notes:**

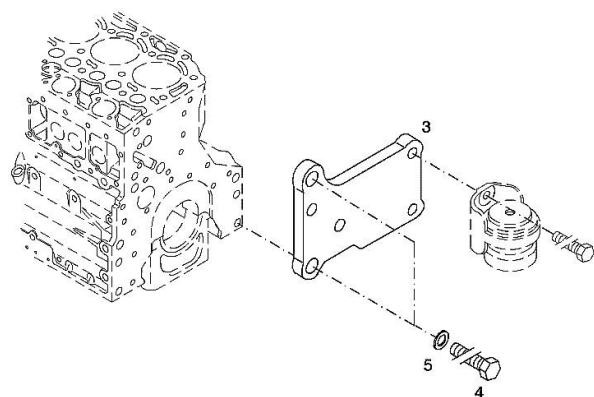
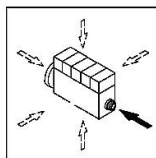
[XB MAX 85 -> 16001]

**Engine serial number:**

10823713 10823715 10823719 10823720 10823733 10825252 10842406 10842700 10842708 10848751 10863120  
10863658 10871012 10969116 11068335 11126845 11205272

3	04288659	1	support
4	01148261	2	screw ISO 4017 -M16X40-10.9-ZNAL-A
5	01181400	2	washer H 2308 -18X25X1,5-A4C

006 ©



Section: B0 - ENGINE  
ACCESSORIES

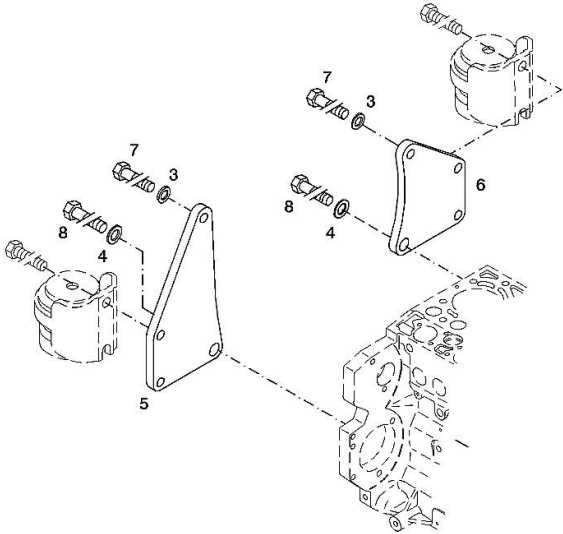
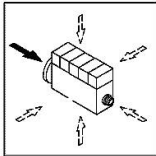
Fig.	P/n	QTY	Name
------	-----	-----	------

Notes:  
[XB MAX 85 -> 16001]

Engine serial number:  
10823713 10823715 10823719 10823720 10823733 10825252 10842406 10842700 10842708 10848751 10863120  
10863658 10871012 10969116 11068335 11126845 11205272

3	01182016	2	disc H 2308 -13X24X3-ZNAL-A
4	01181400	2	washer H 2308 -18X25X1,5-A4C
5	04206926	1	plate dx/rh/re
6	04206927	1	plate sx/lh/li
7	01148137	2	screw - UP TO MONTH OF ASSEMBLY ( A ) - FROM MONTH OF ASSEMBLY SEE POS. ( B ) A = 06.2009 B = POS. 950 DIN 931 -M12X75-10.9-ZNAL-A
8	01148037	2	screw UP TO MONTH OF ASSEMBLY ( A ) - FROM MONTH OF ASSEMBLY SEE POS. ( B ) A = 06.2009 B = POS. 951 ISO 4014 -M16X75-10.9-OELGESCHW
950	01149017	2	screw - FROM MONTH OF ASSEMBLY SEE POS. ( B ) - UP TO MONTH OF ASSEMBLY (A) FROM MONTH OF ASSEMBLY A = 07.2009 B = 7 DIN 34800 -BM12X75-10.9-ZNAL-A
951	01180235	2	screw - FROM MONTH OF ASSEMBLY SEE POS. ( B ) - UP TO MONTH OF ASSEMBLY ( A ) FROM MONTH OF ASSEMBLY A = 07.2009 B= Pos.8 H 2032 -HBM16X75-10.9-GESCHW

003 ©



**ACCESSORIES**

<b>Fig.</b>	<b>P/n</b>	<b>QTY</b>	<b>Name</b>
-------------	------------	------------	-------------

**Notes:**

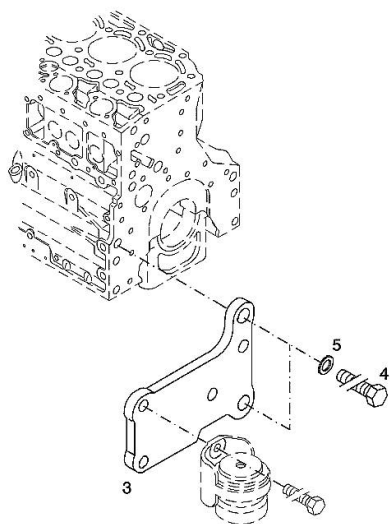
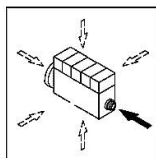
[XB MAX 85 -> 16001]

**Engine serial number:**

10823713 10823715 10823719 10823720 10823733 10825252 10842406 10842700 10842708 10848751 10863120  
10863658 10871012 10969116 11068335 11126845 11205272

3	04288660	1	support
4	01148261	2	screw ISO 4017 -M16X40-10.9-ZNAL-A
5	01181400	2	washer H 2308 -18X25X1,5-A4C

003 ©



**FILLER CAP**

Fig.	P/n	QTY	Name
------	-----	-----	------

**Notes:**

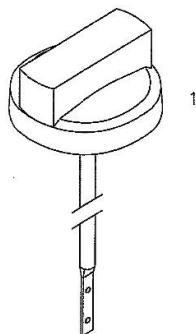
[XB MAX 85 -> 16001]

**Engine serial number:**

10823713 10823715 10823719 10823720 10823733 10825252 10842406 10842700 10842708 10848751 10863120  
10863658 10871012 10969116 11068335 11126845 11205272

1	01180286	1	plug H 2875 -B2-OL40-166X4-130X12
---	----------	---	--------------------------------------

000



0507 1178

**PISTON COOL.NOZZLE**

Fig.	P/n	QTY	Name
------	-----	-----	------

**Notes:**

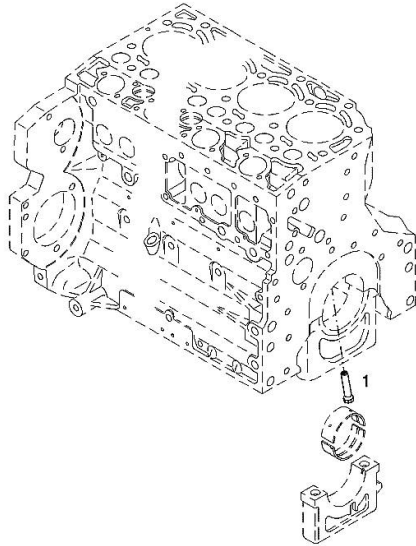
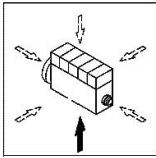
[XB MAX 85 -> 16001]

**Engine serial number:**

10823713 10823715 10823719 10823720 10823733 10825252 10842406 10842700 10842708 10848751 10863120  
10863658 10871012 10969116 11068335 11126845 11205272

1	04207521	1	sprayers
---	----------	---	----------

001 ©



**FLANGE**

Fig.	P/n	QTY	Name
------	-----	-----	------

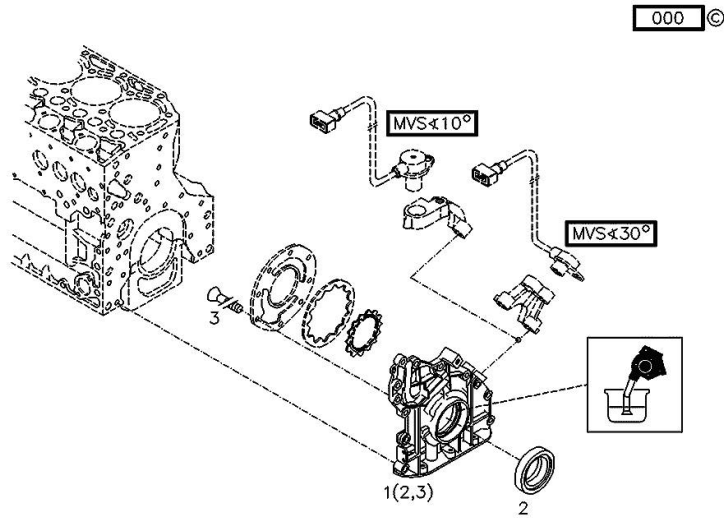
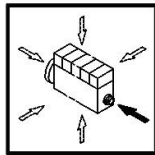
**Notes:**

[XB MAX 85 -> 16001]

**Engine serial number:**

10823713 10823715 10823719 10823720 10823733 10825252 10842406 10842700 10842708 10848751 10863120  
10863658 10871012 10969116

1	04283992	1	oil pump WITH POS.... (2,3)
2	04253372	1	oil seal
3	01133718	8	screw DIN 7991 -M6X16-8.8-A4C

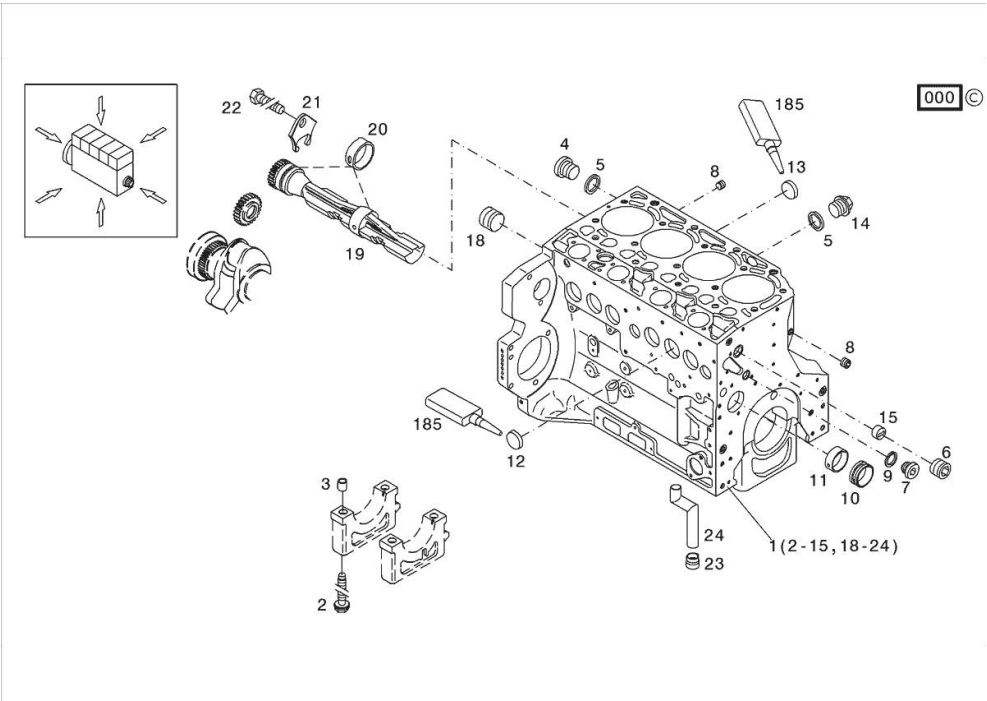


Section: B0 - ENGINE  
**KURBELGEHAEUSE**

Fig.	P/n	QTY	Name
------	-----	-----	------

**Notes:**  
 [XB MAX 85 -> 16001]

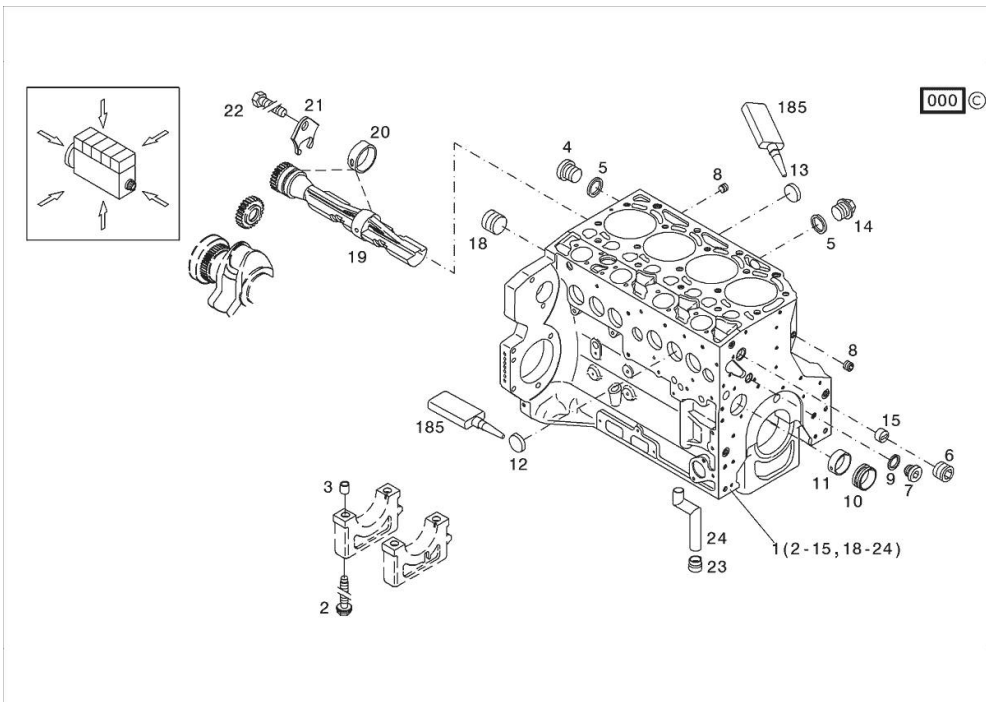
**Engine serial number:**  
 10823713 10823715 10823719 10823720 10823733 10825252 10842406 10842700 10842708 10848751 10863120  
 10863658 10871012 10969116 11068335 11126845 11205272



185	01319911	1	sealing compound ml. 50
1	04297344	1	crankcase MIT POS... (2-15,18-24)
2	04254240	10	screw 50 Nm , 90° , 90°
3	04160764	10	bushing
4	01110423	1	screw 35 Nm DIN 908 -M14X1,5-ST-ZNPHRF
5	01118693	3	gasket 14x20 DIN 7603 -A14X20-CU
6	01180890	1	screw 95 Nm H 2812 -906-M30X1,5-ST-A4C-PRE80
7	04292706	1	plug 80 Nm
8	01182031	2	screw 35 Nm H 2812 -906-M14X1,5-ST-A3C-LOCTITE506
9	01101342	1	oil seal DIN 7603 -D22X27-CU
10	04251884	4	plug
11	04250086	1	ring
12	01148032	6	cover DIN 443 -A45-ZNPHR
13	01148031	4	plug DIN 443 -A36-ZNPHR
14	01100940	2	screw 35 Nm DIN 7604 -AM14X1,5-ST-A4C
15	04202518	1	sleeve
18	04226536	1	bottom 30 Nm
19	04298243	2	shaft
20	04252834	4	bush
21	04251810	2	plug

**KURBELGEHAEUSE**

Fig.	P/n	QTY	Name
22	01181672	2	nut H 2091 -4017-M8X16-10.9-GESCHW-MK-1.0
23	04255998	1	ring
24	04291215	1	tube



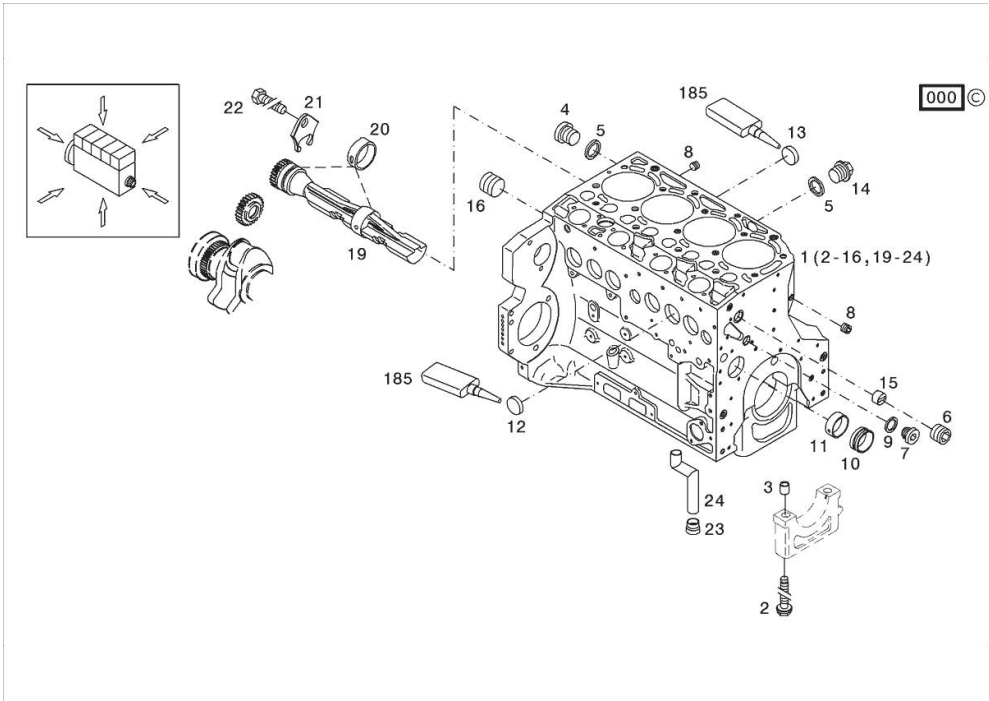


Section: B0 - ENGINE  
**KURBELGEHAEUSE**

Fig.	P/n	QTY	Name
------	-----	-----	------

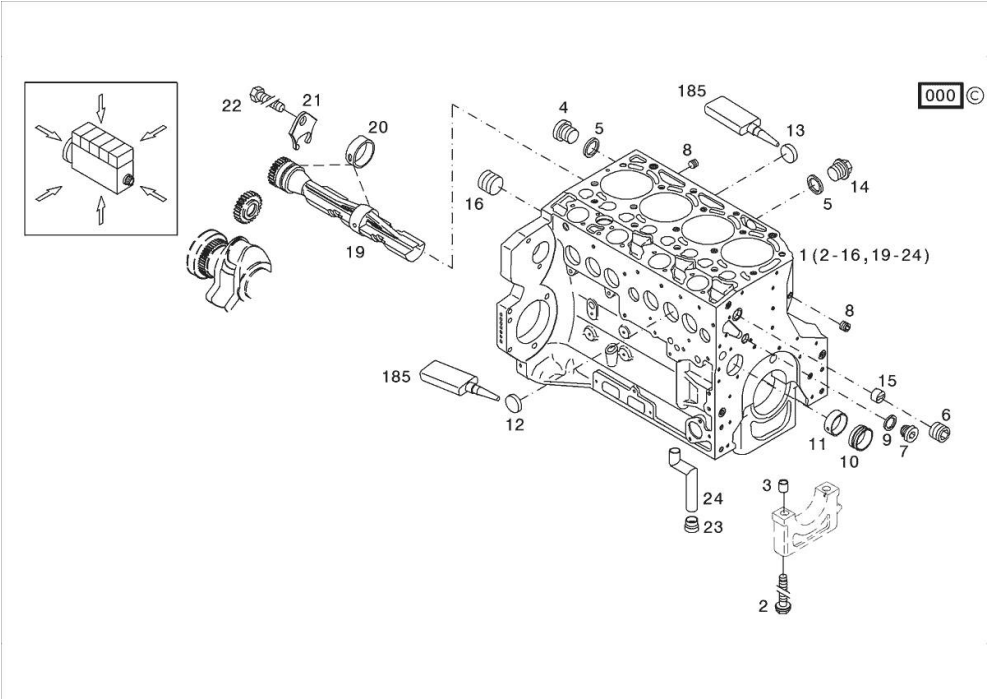
Notes:  
[XB MAX 85 -> 16001]

1	04506875	1	crankcase MIT POS.... (2-16,19-24)
2	04254240	10	screw 50 Nm , 90° , 90°
3	04160764	10	bushing
4	01110423	1	screw 35 Nm DIN 908 -M14X1,5-ST-ZNPHRF
5	01118693	3	gasket 14x20 DIN 7603 -A14X20-CU
6	01180890	1	screw 95 Nm H 2812 -906-M30X1,5-ST-A4C-PRE80
7	04292706	1	plug 80 Nm
8	01182031	2	screw 35 Nm H 2812 -906-M14X1,5-ST-A3C-LOCTITE506
9	01101342	1	oil seal DIN 7603 -D22X27-CU
10	04251884	4	plug
11	04250086	1	ring
12	01148032	6	cover DIN 443 -A45-ZNPHR
13	01148031	4	plug DIN 443 -A36-ZNPHR
14	01100940	2	screw 35 Nm DIN 7604 -AM14X1,5-ST-A4C
15	04202518	1	sleeve
16	04226536	1	bottom 30 Nm
19	04298243	2	shaft
20	04252834	4	bush
21	04251810	2	plug
22	01181672	2	nut 29 Nm H 2091 -4017-M8X16-10.9-GESCHW-MK-1.0
23	04255998	1	ring
24	04291215	1	tube



Section: B0 - ENGINE  
**KURBELGEHAEUSE**

Fig.	P/n	QTY	Name
185	01319911	1	sealing compound ml. 50



**FLANGE**

<b>Fig.</b>	<b>P/n</b>	<b>QTY</b>	<b>Name</b>
-------------	------------	------------	-------------

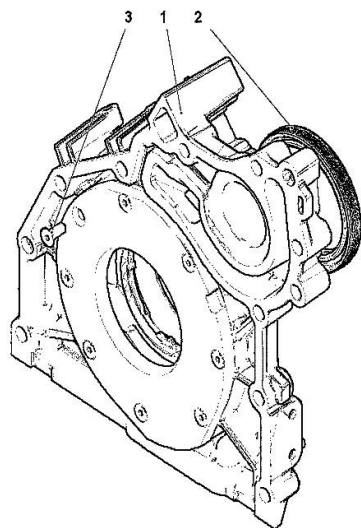
**Notes:**

[XB MAX 85 -> 16001]

**Engine serial number:**

11068335 11126845 11205272

1	04502446	1	oil pump WITH POS.... (2,3)
2	04502202	1	special oil seal
3	01133718	8	screw 8.5 Nm DIN 7991 -M6X16-8.8-A4C



000



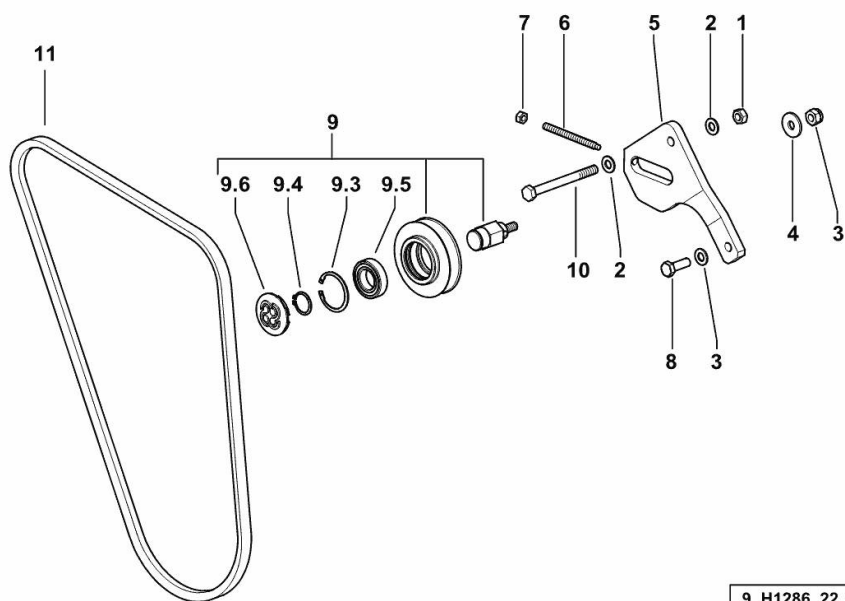
**COOLANT PUMP DRIVEBELT AND BELT TENSIONER**

Fig.	P/n	QTY	Name
------	-----	-----	------

**Notes:**

[XB MAX 85 -> 16001]

1	2.1011.106.2	1	nut m 10 p.1.5
2	2.1310.006.2	3	flat washer 10.5x21
3	2.1120.221.2	1	self-locking nut m 10 p.1.25
4	2.1579.520.2	1	washer 10.5x30x3
5	0.014.8009.0/10	1	bracket
6	2.0399.221.2	1	screw m 8 p.1.25 x 95
7	2.1011.105.2	1	nut m 8 p.1.25
8	2.0112.311.2	1	screw m 10 p.1.5 x 30
9	0.014.2193.4	1	tensioner
9.3	2.1411.019.7	1	circlip 47
9.4	2.1410.010.7	1	circlip 25
9.5	2.2999.330.0	1	special bearing 25 x 47 x 12
9.6	2.3199.089.0	1	small cover
10	2.0112.331.2	1	screw m 10 p.1.5x110
11	2.4119.005.0	1	belt AV 15x1465 mm



9\_H1286\_22\_0-A-001

Thank you so much for reading.  
Please click the “Buy Now!”  
button below to download the  
complete manual.



After you pay.

You can download the most  
perfect and complete manual in  
the world immediately.

Our support email:

[ebooklibonline@outlook.com](mailto:ebooklibonline@outlook.com)