

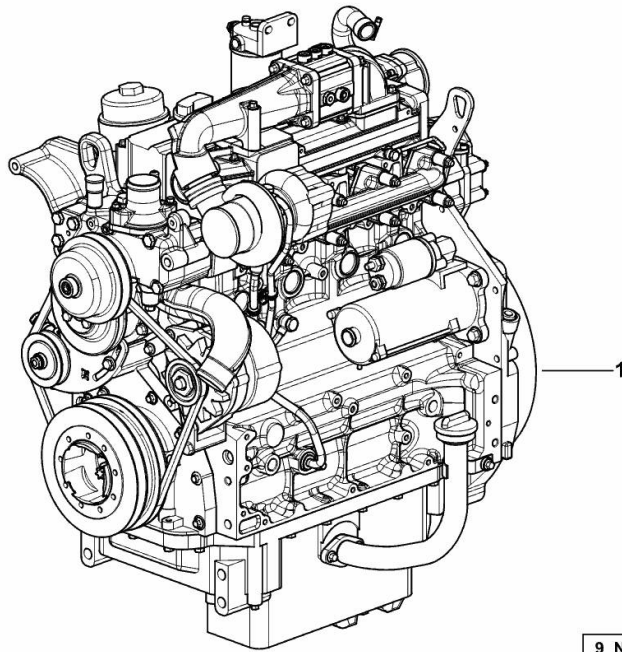
ENGINE

Fig.	P/n	QTY	Name
-------------	------------	------------	-------------

Notes:

[XB MAX 85 -> 5001]

1	25007771	1	engine ON ORDERING PLEASE ENGINE NO. REQUIRED
---	----------	---	-----------------------------------------------------



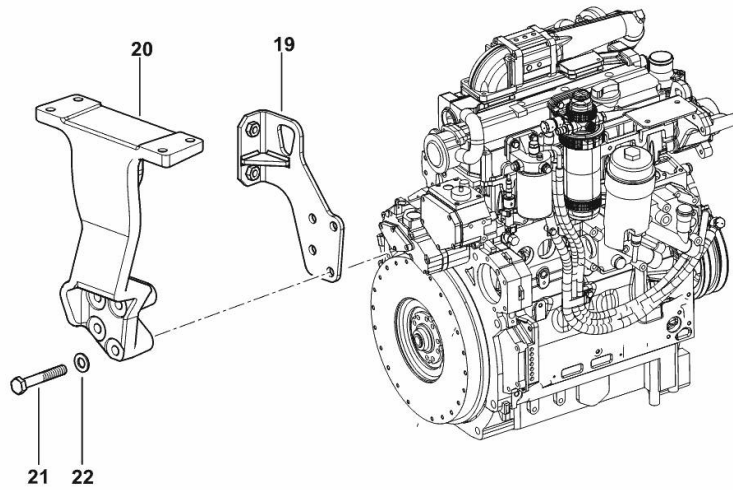
SUPPORTS

Fig.	P/n	QTY	Name
------	-----	-----	------

Notes:

[XB MAX 85 -> 5001]

19	0.014.9247.3/20	1	bracket
20	0.010.6442.0/10	1	bracket
21	2.0112.322.2	4	screw m 10 p.1.5x65
22	2.1475.003.2	4	washer 10



9_N9116_01_0-B-001

FASTENINGS

Fig.	P/n	QTY	Name
------	-----	-----	------

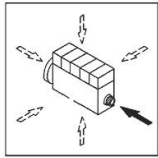
Notes:

[XB MAX 85 -> 5001]

Engine serial number:

10252041 10263870 10369977 10424117 10424119 10476020 10482695 10493564 10507243 10528863 10528876
 10541001 10541005 10541011 10548061 10559039 10559168 10567056 10603913 10603916 10642555 10656070
 10656083 10656085 10691922 10691940 10691965 10716024 10745837 10745845 10745847 10752698

1	01183645	12	screw EN 1662 -F-M8X35-10.9-ZNAL-A
2	04504325	1	gasket
3	01181406	1	bushing H 2341 -B11X8-FE/ZN12C*



003 ©

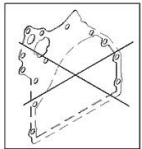
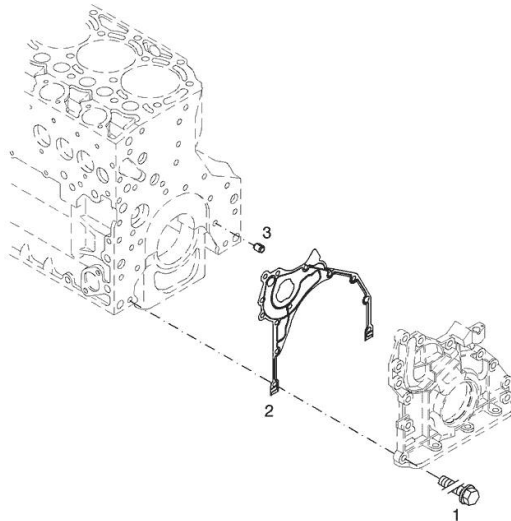


Fig.	P/n	QTY	Name
------	-----	-----	------

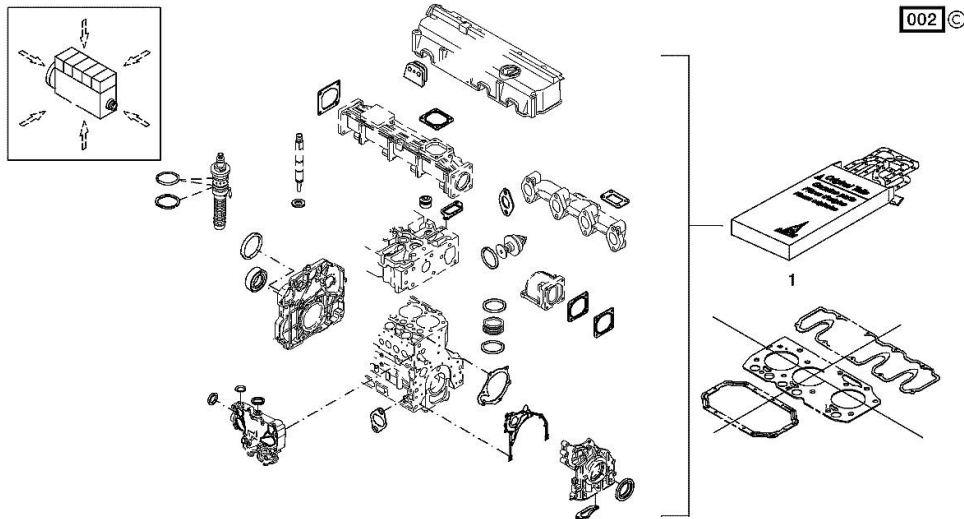
Notes:

[XB MAX 85 -> 5001]

Engine serial number:

10252041 10263870 10369977 10424117 10424119 10476020 10482695 10493564 10507243 10528863 10528876
 10541001 10541005 10541011 10548061 10559039 10559168 10567056 10603913 10603916 10642555 10656070
 10656083 10656085 10691922 10691940 10691965 10716024 10745837 10745845 10745847 10752698

1	02937585	1	gasket set THE KIT DOES NOT CONTAIN ALL THE GASKETS: SEE SM 0199-99-9449
---	----------	---	--------------------------------------------------------------------------------



BUSH

Fig.	P/n	QTY	Name
------	-----	-----	------

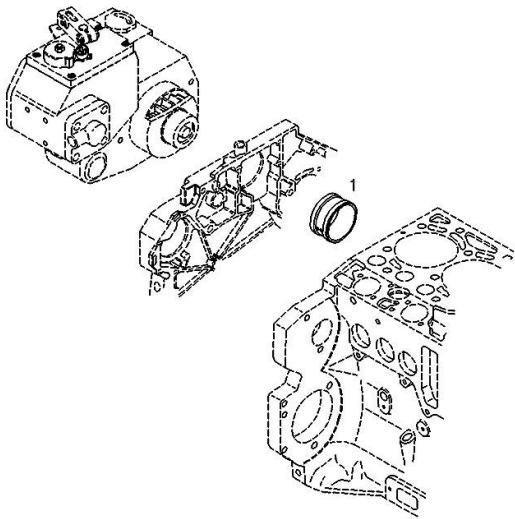
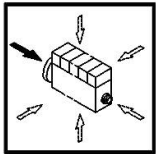
Notes:

[XB MAX 85 -> 5001]

Engine serial number:

10252041 10263870 10369977 10424117 10424119 10476020 10482695 10493564 10507243 10528863 10528876
 10541001 10541005 10541011 10548061 10559039 10559168 10567056 10603913 10603916 10642555 10656070
 10656083 10656085 10691922 10691940 10691965 10716024 10745837 10745845 10745847 10752698

1	02111679	1	bush
---	----------	---	------



002

0507 2810

BLEEDING TUBE

Fig.	P/n	QTY	Name
------	-----	-----	------

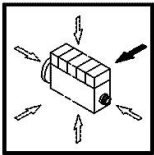
Notes:

[XB MAX 85 -> 5001]

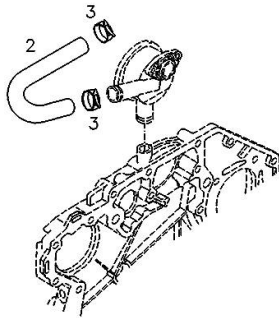
Engine serial number:

10252041 10263870 10369977 10424117 10424119 10476020 10482695 10493564 10507243 10528863 10528876
 10541001 10541005 10541011 10548061 10559039 10559168 10567056 10603913 10603916 10642555 10656070
 10656083 10656085 10691922 10691940 10691965 10716024 10745837 10745845 10745847 10752698

2	04258132	1	tube
3	01178750	2	clamp DIN 3021 -A-29X15



000 ©



CRANKCASE BREATHER

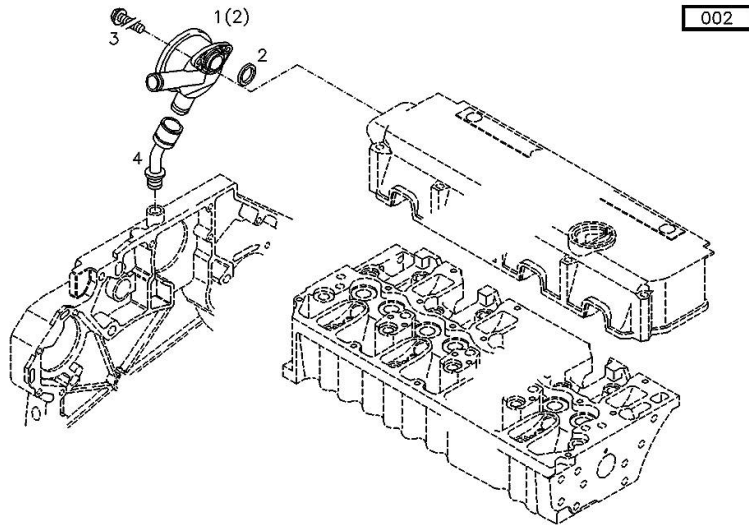
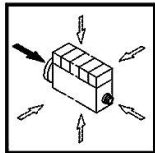
Fig.	P/n	QTY	Name
------	-----	-----	------

Notes:

[XB MAX 85 -> 5001]

Engine serial number:

10252041 10263870 10369977 10424117 10424119 10476020 10482695 10493564 10507243 10528863 10528876
 10541001 10541005 10541011 10548061 10559039 10559168 10567056 10603913 10603916 10642555 10656070
 10656083 10656085 10691922 10691940 10691965 10716024 10745837 10745845 10745847 10752698



1	04203321	1	valve WITH POS.... (2)
2	04206233	1	gasket
3	01148431	2	screw - FROM THE MONTH OF ASSEMBLY SEE POS. (B) - UP TO THE MONTH OF ASSEMBLY (A) FROM THE MONTH OF ASSEMBLY A = 09.1995 B = POS. 950 ISO 4762 -M6X20-8.8-ZNAL-A
4	04207290	1	pipng
5	01124654	2	washer 6,4 d433 ISO 7092 -6-140HV-A4C*
950	01181965	2	screw - UP TO MONTH OF ASSEMBLY (A) - FROM MONTH OF ASSEMBLY SEE POS. (B) A = 08.1995 B = POS. 3 EN 1662 -F-M6X20-10.9-ZNAL-A

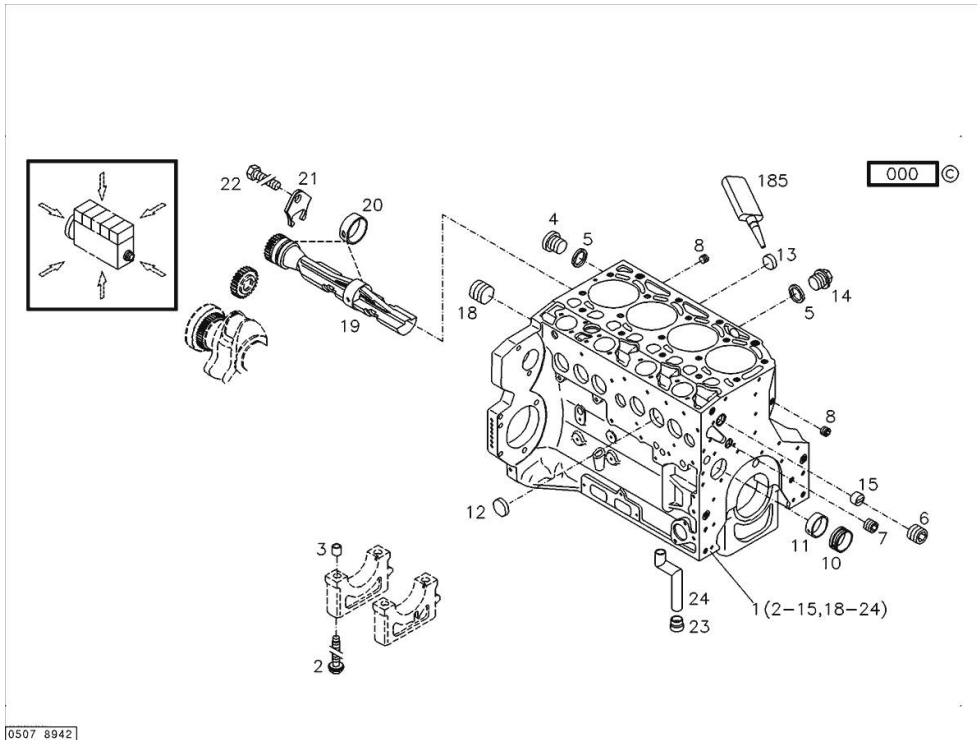
Section: B0 - ENGINE
KURBELGEHAEUSE

Fig.	P/n	QTY	Name
------	-----	-----	------

Notes:
 [XB MAX 85 -> 5001]

Engine serial number:

10252041 10263870 10369977 10424117 10424119 10476020 10482695 10493564 10507243 10528863 10528876
 10541001 10541005 10541011 10548061 10559039 10559168 10567056 10603913 10603916 10642555 10656070
 10656083 10656085 10691922 10691940 10691965 10716024

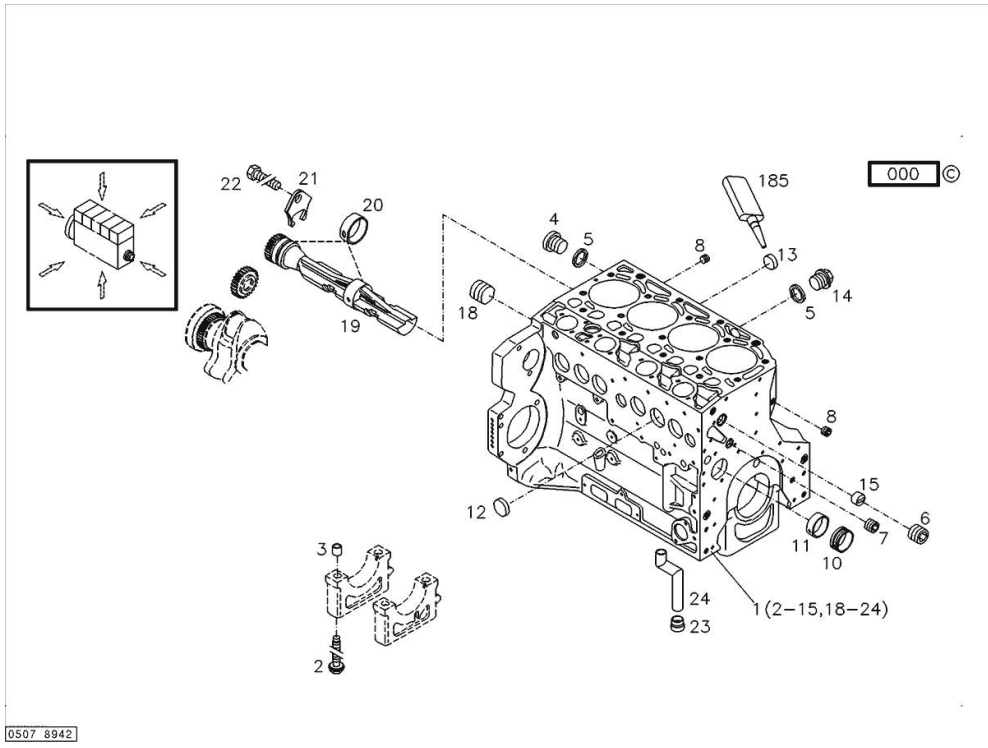


185	01319911	1	sealing compound ml. 50
1	04289939	1	crankcase MIT POS.... (2-15,18-24)
2	04254240	10	screw 50 Nm , 90° , 90°
3	04160764	10	bushing
4	01110423	1	screw 35 Nm DIN 908 -M14X1,5-ST-ZNPHRF
5	01118693	3	gasket 14x20 DIN 7603 -A14X20-CU
6	01180890	1	screw 95 Nm H 2812 -906-M30X1,5-ST-A4C-PRE80
7	01180906	1	screw H 2812 -906-M22X1,5-ST-A4C-PRE80
8	01182031	2	screw 35 Nm H 2812 -906-M14X1,5-ST-A3C-LOCTITE506
10	04251884	4	plug
11	04250086	1	ring
12	01148032	6	cover DIN 443 -A45-ZNPHR
13	01179634	4	plug H 2860 -A36-ST-FE/ZNPHR
14	01100940	2	screw 35 Nm DIN 7604 -AM14X1,5-ST-A4C
15	04202518	1	sleeve
18	04226536	1	bottom 30 Nm
19	04259301	2	shaft
20	04252834	4	bush
21	04251810	2	plug
22	01181672	2	nut

0507 8942

Section: B0 - ENGINE
KURBELGEHAEUSE

Fig.	P/n	QTY	Name
23	04255998	1	H 2091 -4017-M8X16-10.9-GESCHW-MK-1.0 ring
24	04254026	1	piping



OIL FILLER NECK

Fig.	P/n	QTY	Name
------	-----	-----	------

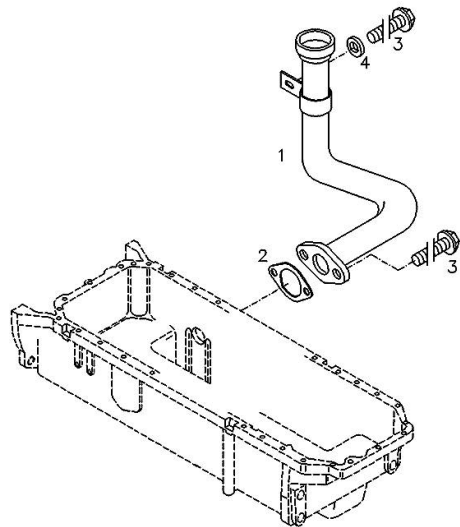
Notes:

[XB MAX 85 -> 5001]

Engine serial number:

10252041 10263870 10369977 10424117 10424119 10476020 10482695 10493564 10507243 10528863 10528876
 10541001 10541005 10541011 10548061 10559039 10559168 10567056 10603913 10603916 10642555 10656070
 10656083 10656085 10691922 10691940 10691965 10716024 10745837 10745845 10745847 10752698

1	04251494	1	tube
2	01178421	1	gasket DIN 71511 -35X58X1,5-DEUTZFW31
3	01181433	3	screw EN 1662 -F-M8X20-LG2,5-10.9-ZNAL-A
4	01214459	1	washer 8,5x20x5



000

ACCESSORIES

Fig.	P/n	QTY	Name
-------------	------------	------------	-------------

Notes:

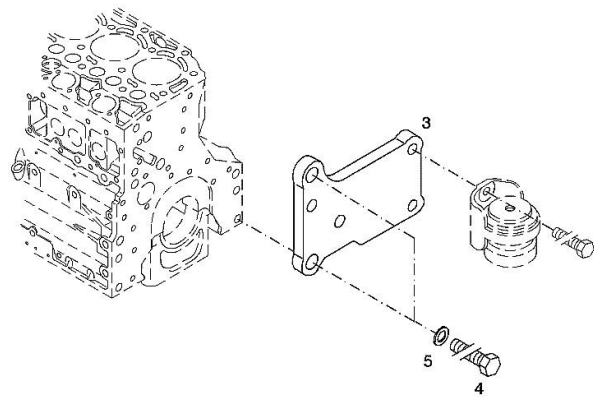
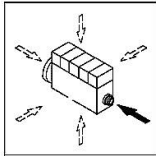
[XB MAX 85 -> 5001]

Engine serial number:

10252041 10263870 10369977 10424117 10424119 10476020 10482695 10493564 10507243 10528863 10528876
 10541001 10541005 10541011 10548061 10559039 10559168 10567056 10603913 10603916 10642555 10656070
 10656083 10656085 10691922 10691940 10691965 10716024 10745837 10745845 10745847 10752698

3	04288659	1	support
4	01148261	2	screw ISO 4017 -M16X40-10.9-ZNAL-A
5	01181400	2	washer H 2308 -18X25X1,5-A4C

006 ©



ACCESSORIES

Fig.	P/n	QTY	Name
------	-----	-----	------

Notes:

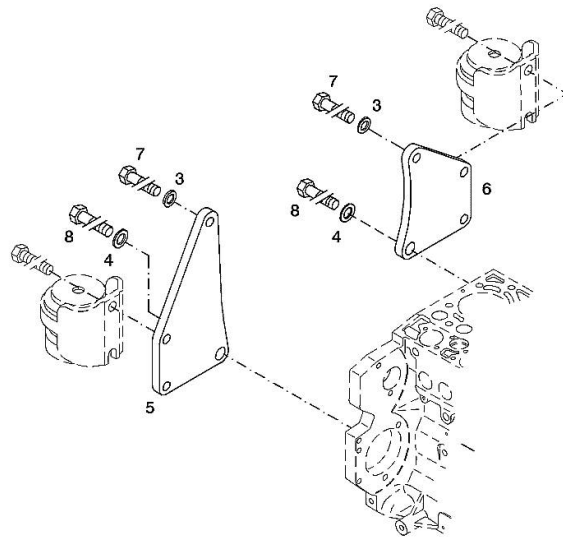
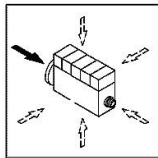
[XB MAX 85 -> 5001]

Engine serial number:

10252041 10263870 10369977 10424117 10424119 10476020 10482695 10493564 10507243 10528863 10528876
 10541001 10541005 10541011 10548061 10559039 10559168 10567056 10603913 10603916 10642555 10656070
 10656083 10656085 10691922 10691940 10691965 10716024 10745837 10745845 10745847 10752698

3	01182016	2	disc H 2308 -13X24X3-ZNAL-A
4	01181400	2	washer H 2308 -18X25X1,5-A4C
5	04206926	1	plate dx/rh/re
6	04206927	1	plate sx/lh/li
7	01148137	2	screw - UP TO MONTH OF ASSEMBLY (A) - FROM MONTH OF ASSEMBLY SEE POS. (B) A = 06.2009 B = POS. 950 DIN 931 -M12X75-10.9-ZNAL-A
8	01148037	2	screw UP TO MONTH OF ASSEMBLY (A) - FROM MONTH OF ASSEMBLY SEE POS. (B) A = 06.2009 B = POS. 951 ISO 4014 -M16X75-10.9-OELGESCHW
950	01149017	2	screw - FROM MONTH OF ASSEMBLY SEE POS. (B) - UP TO MONTH OF ASSEMBLY (A) FROM MONTH OF ASSEMBLY A = 07.2009 B = 7 DIN 34800 -BM12X75-10.9-ZNAL-A
951	01180235	2	screw - FROM MONTH OF ASSEMBLY SEE POS. (B) - UP TO MONTH OF ASSEMBLY (A) FROM MONTH OF ASSEMBLY A = 07.2009 B= Pos.8 H 2032 -HBM16X75-10.9-GESCHW

003 ©



ACCESSORIES

Fig.	P/n	QTY	Name
-------------	------------	------------	-------------

Notes:

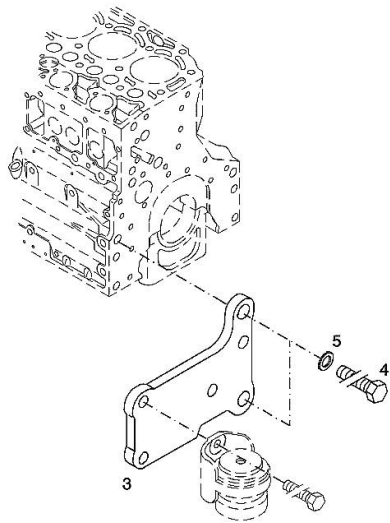
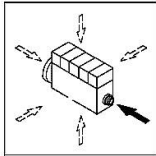
[XB MAX 85 -> 5001]

Engine serial number:

10252041 10263870 10369977 10424117 10424119 10476020 10482695 10493564 10507243 10528863 10528876
 10541001 10541005 10541011 10548061 10559039 10559168 10567056 10603913 10603916 10642555 10656070
 10656083 10656085 10691922 10691940 10691965 10716024 10745837 10745845 10745847 10752698

3	04288660	1	support
4	01148261	2	screw ISO 4017 -M16X40-10.9-ZNAL-A
5	01181400	2	washer H 2308 -18X25X1,5-A4C

003 ©



FILLER CAP

Fig.	P/n	QTY	Name
------	-----	-----	------

Notes:

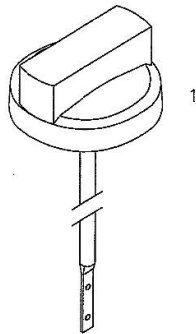
[XB MAX 85 -> 5001]

Engine serial number:

10252041 10263870 10369977 10424117 10424119 10476020 10482695 10493564 10507243 10528863 10528876
10541001 10541005 10541011 10548061 10559039 10559168 10567056 10603913 10603916 10642555 10656070
10656083 10656085 10691922 10691940 10691965 10716024 10745837 10745845 10745847 10752698

1	01180286	1	plug H 2875 -B2-OL40-166X4-130X12
---	----------	---	--------------------------------------

000



0507 1178

PISTON COOL.NOZZLE

Fig.	P/n	QTY	Name
------	-----	-----	------

Notes:

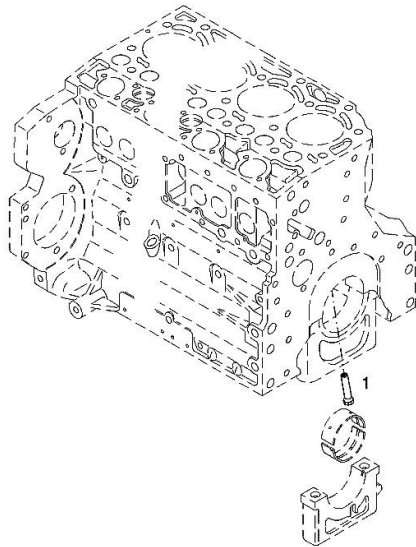
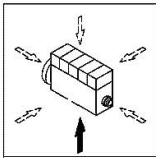
[XB MAX 85 -> 5001]

Engine serial number:

10252041 10263870 10369977 10424117 10424119 10476020 10482695 10493564 10507243 10528863 10528876
 10541001 10541005 10541011 10548061 10559039 10559168 10567056 10603913 10603916 10642555 10656070
 10656083 10656085 10691922 10691940 10691965 10716024 10745837 10745845 10745847 10752698

1	04207521	1	sprayers
---	----------	---	----------

001 ©



FLANGE

Fig.	P/n	QTY	Name
------	-----	-----	------

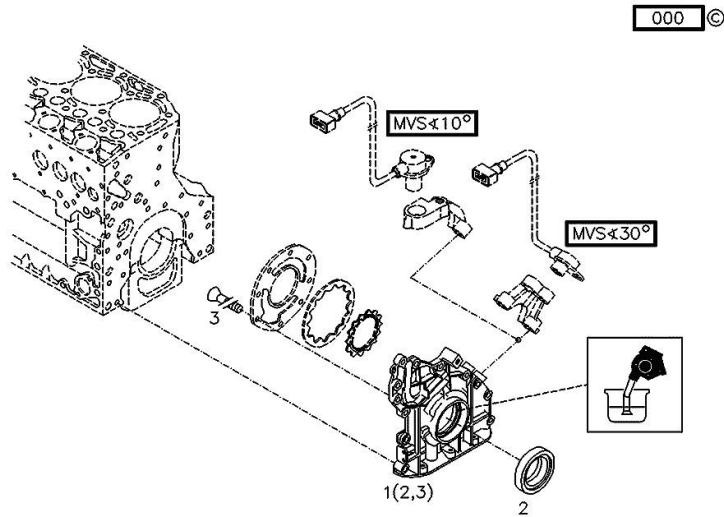
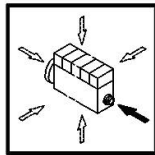
Notes:

[XB MAX 85 -> 5001]

Engine serial number:

10252041 10263870 10369977 10424117 10424119 10476020 10482695 10493564 10507243 10528863 10528876
 10541001 10541005 10541011 10548061 10559039 10559168 10567056 10603913 10603916 10642555 10656070
 10656083 10656085 10691922 10691940 10691965 10716024 10745837 10745845 10745847 10752698

1	04283992	1	oil pump WITH POS.... (2,3)
2	04253372	1	oil seal
3	01133718	8	screw DIN 7991 -M6X16-8.8-A4C

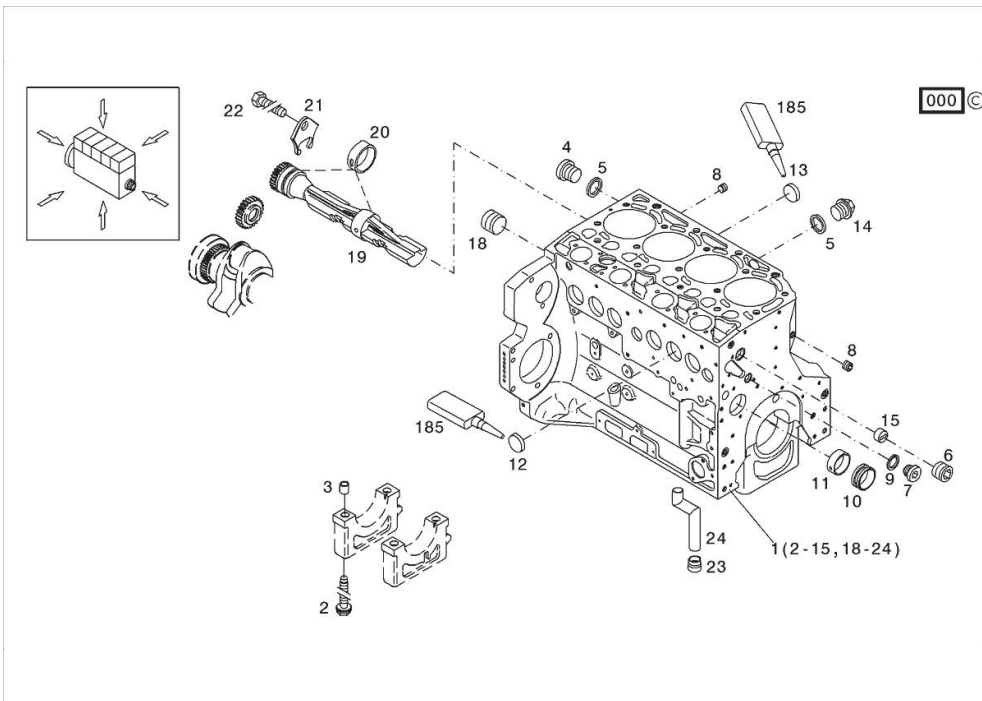


Section: B0 - ENGINE
KURBELGEHAEUSE

Fig.	P/n	QTY	Name
------	-----	-----	------

Notes:
 [XB MAX 85 -> 5001]

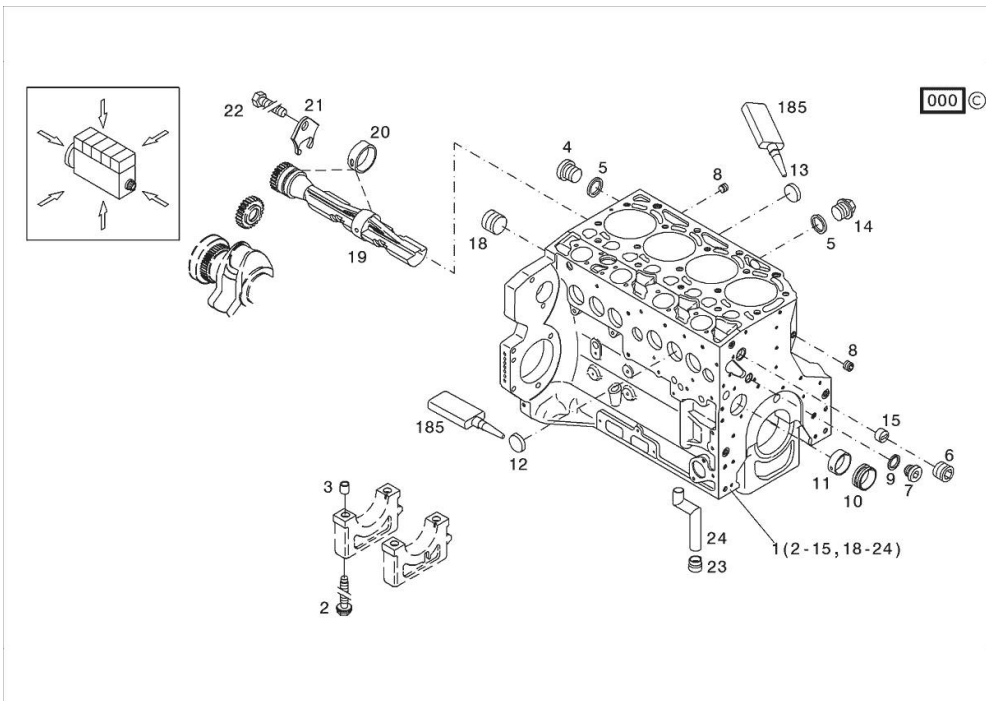
Engine serial number:
 10745837 10745845 10745847 10752698



185	01319911	1	sealing compound ml. 50
1	04297344	1	crankcase MIT POS.... (2-15,18-24)
2	04254240	10	screw 50 Nm , 90° , 90°
3	04160764	10	bushing
4	01110423	1	screw 35 Nm DIN 908 -M14X1,5-ST-ZNPHRF
5	01118693	3	gasket 14x20 DIN 7603 -A14X20-CU
6	01180890	1	screw 95 Nm H 2812 -906-M30X1,5-ST-A4C-PRE80
7	04292706	1	plug 80 Nm
8	01182031	2	screw 35 Nm H 2812 -906-M14X1,5-ST-A3C-LOCTITE506
9	01101342	1	oil seal DIN 7603 -D22X27-CU
10	04251884	4	plug
11	04250086	1	ring
12	01148032	6	cover DIN 443 -A45-ZNPHR
13	01148031	4	plug DIN 443 -A36-ZNPHR
14	01100940	2	screw 35 Nm DIN 7604 -AM14X1,5-ST-A4C
15	04202518	1	sleeve
18	04226536	1	bottom 30 Nm
19	04298243	2	shaft
20	04252834	4	bush
21	04251810	2	plug

Section: B0 - ENGINE
KURBELGEHAEUSE

Fig.	P/n	QTY	Name
22	01181672	2	nut H 2091 -4017-M8X16-10.9-GESCHW-MK-1.0
23	04255998	1	ring
24	04291215	1	tube



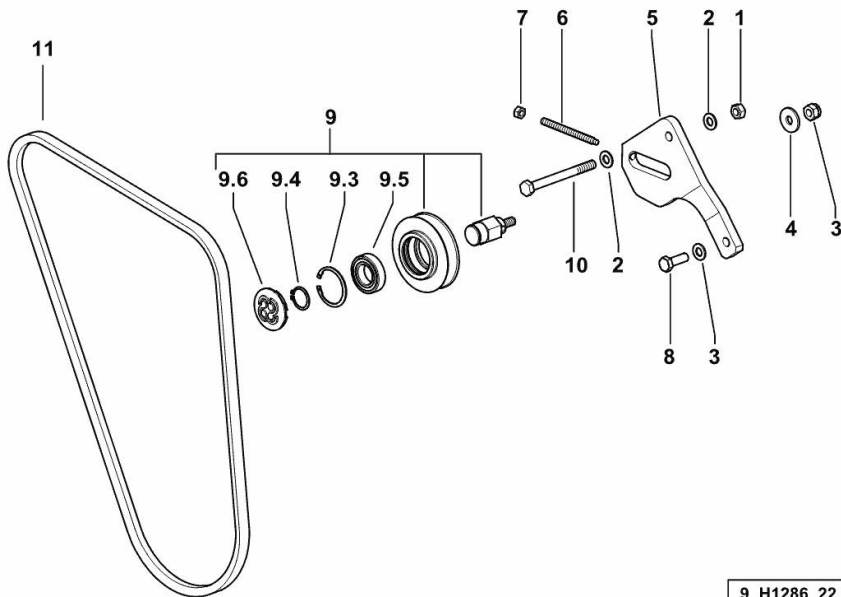
COOLANT PUMP DRIVEBELT AND BELT TENSIONER

Fig.	P/n	QTY	Name
------	-----	-----	------

Notes:

- FOR TRACTORS WITHOUT AIR CONDITIONING [XB MAX 85 -> 5001]

1	2.1011.106.2	1	nut m 10 p.1.5
2	2.1310.006.2	3	flat washer 10.5x21
3	2.1120.221.2	1	self-locking nut m 10 p.1.25
4	2.1579.520.2	1	washer 10.5x30x3
5	0.014.8009.0/10	1	bracket
6	2.0399.221.2	1	screw m 8 p.1.25 x 95
7	2.1011.105.2	1	nut m 8 p.1.25
8	2.0112.311.2	1	screw m 10 p.1.5 x 30
9	0.014.2193.4	1	tensioner
9.3	2.1411.019.7	1	circlip 47
9.4	2.1410.010.7	1	circlip 25
9.5	2.2999.330.0	1	special bearing 25 x 47 x 12
9.6	2.3199.089.0	1	small cover
10	2.0112.331.2	1	screw m 10 p.1.5x110
11	2.4119.005.0	1	belt AV 15x1465 mm



9_H1286_22_0-A-001

Thank you so much for reading.
Please click the “Buy Now!”
button below to download the
complete manual.



After you pay.

You can download the most
perfect and complete manual in
the world immediately.

Our support email:

ebooklibonline@outlook.com