

Section: B0 - ENGINE

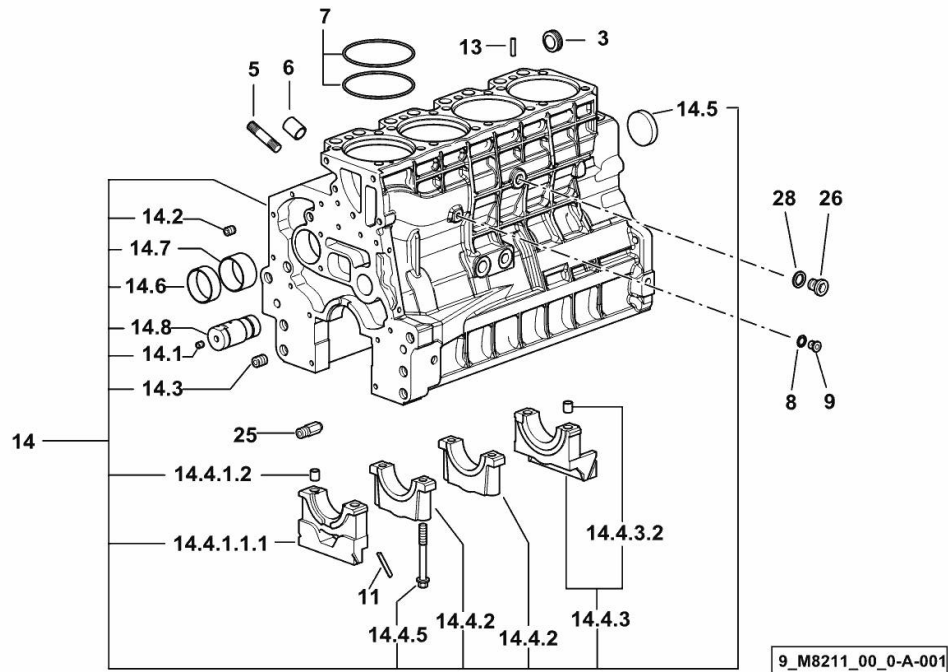
**CRANKCASE**

| Fig. | P/n | QTY | Name |
|------|-----|-----|------|
|------|-----|-----|------|

**Notes:**

[XF-90 -> 6001]

|            |                 |    |                              |
|------------|-----------------|----|------------------------------|
| 3          | 2.3199.312.2/20 | 1  | plug m 35x1.5x9.5            |
| 5          | 2.0439.273.7    | 8  | stud bolt m 8                |
| 6          | 2.1559.188.2    | 4  | bush 11.4 x 14 x16           |
| 7          | 2.1539.259.0    | 8  | special oil seal 107.62x2.62 |
| 8          | 2.1560.010.0    | 1  | gasket 14.2 x 20             |
| 9          | 2.3199.292.0    | 1  | plug 1/4" gas                |
| 11         | 0.066.1152.0/10 | 4  | gasket                       |
| 13         | 2.1549.154.2    | 4  | bush 4.8x5.8x16              |
| 14         | 0.015.2988.4/10 | 1  | crankcase                    |
| 14.1       | 2.3130.001.1    | 10 | plug 1/8" gas                |
| 14.2       | 2.3130.002.1    | 2  | plug 1/4" gas                |
| 14.3       | 2.3130.003.1    | 6  | plug 3/8" gas                |
| 14.4.1.1.1 | 0.065.1112.7/10 | 1  | support                      |
| 14.4.1.2   | 2.1699.165.0    | 1  | bush 12.3x15x16              |
| 14.4.2     | 0.065.1114.0/10 | 3  | support                      |
| 14.4.3     | 0.065.1116.3    | 1  | support                      |
| 14.4.3.2   | 2.1699.165.0    | 1  | bush 12.3x15x16              |
| 14.4.5     | 0.065.1117.0    | 10 | screw m 12 x 100             |
| 14.5       | 2.3179.012.0    | 1  | plug 60                      |
| 14.6       | 0.065.1140.0    | 4  | special bushing 59X55X20     |
| 14.7       | 0.065.1141.0    | 1  | special bushing 59X55X30     |
| 14.8       | 0.014.1340.0/10 | 1  | pin mm 85                    |
| 25         | 0.013.4946.0/10 | 1  | sprayer nozzle               |
| 26         | 2.3120.101.0    | 1  | plug m 18 p.1.5              |
| 28         | 2.1560.014.0    | 1  | washer 18.2 x 24             |



Section: B0 - ENGINE

**CRANKCASE**

| Fig. | P/n | QTY | Name |
|------|-----|-----|------|
|------|-----|-----|------|

**Notes:**

- EXPORT U.S.A. [XF-90 -> 6001]



9\_O1011\_00\_0-A-001

|            |                 |    |                              |
|------------|-----------------|----|------------------------------|
| 3          | 2.3199.312.2/20 | 1  | plug m 35x1.5x9.5            |
| 5          | 2.0439.279.7    | 8  | stud bolt m 8 p.1 x 25       |
| 6          | 2.1559.188.2    | 4  | bush 11.4 x 14 x16           |
| 7          | 2.1539.259.0    | 8  | special oil seal 107.62x2.62 |
| 8          | 2.1560.010.0    | 1  | gasket 14.2 x 20             |
| 9          | 2.3199.292.0    | 1  | plug 1/4" gas                |
| 10         | 0.014.9655.4/30 | 1  | crankcase                    |
| 10.1       | 2.3130.001.1    | 14 | plug 1/8" gas                |
| 10.2       | 2.3130.002.1    | 4  | plug 1/4" gas                |
| 10.3       | 2.3130.003.1    | 6  | plug 3/8" gas                |
| 10.4.1.1.1 | 0.065.1112.7/10 | 1  | support                      |
| 10.4.1.2   | 2.1699.165.0    | 1  | bush 12.3x15x16              |
| 10.4.2     | 0.065.1114.0/10 | 3  | support                      |
| 10.4.3     | 0.065.1116.3    | 1  | support                      |
| 10.4.3.2   | 2.1699.165.0    | 1  | bush 12.3x15x16              |
| 10.4.8     | 0.065.1117.0    | 10 | screw m 12 x 100             |
| 10.5       | 2.3179.012.0    | 1  | plug 60                      |
| 10.6       | 0.065.1140.0    | 4  | special bushing 59X55X20     |
| 10.7       | 0.065.1141.0    | 1  | special bushing 59X55X30     |
| 10.8       | 0.014.1340.0/10 | 1  | pin mm 85                    |
| 11         | 0.066.1152.0/10 | 4  | gasket                       |
| 13         | 2.1549.154.2    | 4  | bush 4.8x5.8x16              |
| 25         | 0.013.4946.0/10 | 1  | sprayer nozzle               |
| 26         | 2.3120.101.0    | 1  | plug m 18 p.1.5              |
| 28         | 2.1560.014.0    | 1  | washer 18.2 x 24             |

Section: B0 - ENGINE

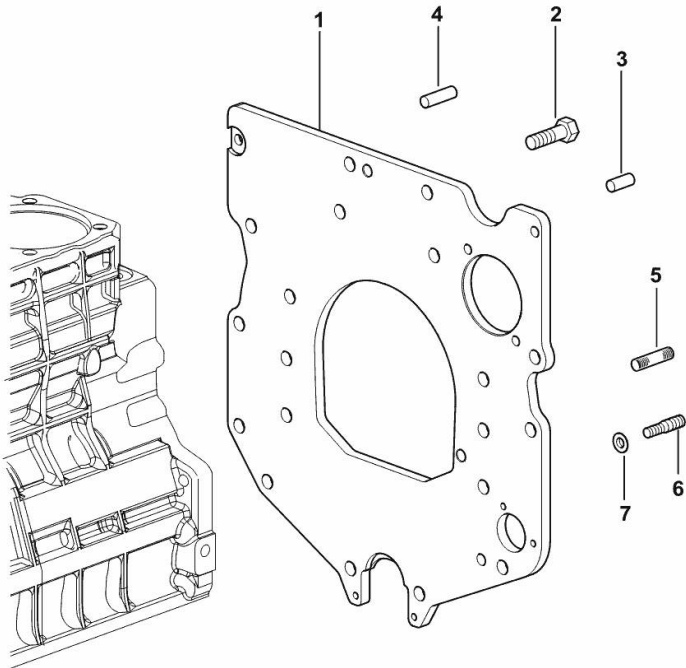
**MONOBLOC ENGINE-GEARBOX CONNECTING FLANGE**

| Fig. | P/n | QTY | Name |
|------|-----|-----|------|
|------|-----|-----|------|

**Notes:**

[XF-90 -&gt; 6001]

|   |                 |   |                                   |
|---|-----------------|---|-----------------------------------|
| 1 | 0.007.7752.0/30 | 1 | flange                            |
| 2 | 2.0112.511.2    | 8 | screw m 14 p.2 x 30               |
| 3 | 2.1651.912.0    | 2 | cylindrical plug 12x28            |
| 4 | 2.1651.917.0    | 1 | cylindrical plug 12x40            |
| 5 | 2.0432.257.7    | 1 | stud bolt m 12 p.1.75 - 1.25 x 30 |
| 6 | 2.0439.250.7    | 1 | stud bolt m 12 / m 10 x 30        |
| 7 | 0.011.9294.0/10 | 1 | bush                              |



9\_37311\_01\_0-A-001

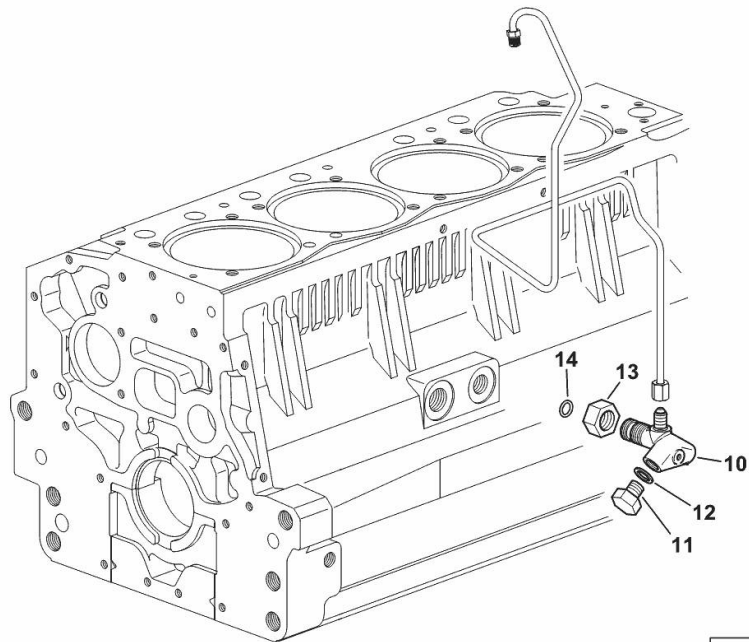
**ENGINE OIL AND TURBO PRESSURE SWITCH UNION**

| Fig. | P/n | QTY | Name |
|------|-----|-----|------|
|------|-----|-----|------|

**Notes:**

[XF-90 -&gt; 6001]

|    |                 |   |                     |
|----|-----------------|---|---------------------|
| 10 | 2.3339.787.0/10 | 1 | pipe fitting 7/16"  |
| 11 | 2.3110.403.1    | 1 | plug m 14 p.1.5x12  |
| 12 | 2.1560.010.0    | 2 | gasket 14.2 x 20    |
| 13 | 2.1019.129.2/10 | 1 | nut m 18 p.1.5x12   |
| 14 | 2.1533.038.0    | 1 | oil seal 15.45x2.62 |



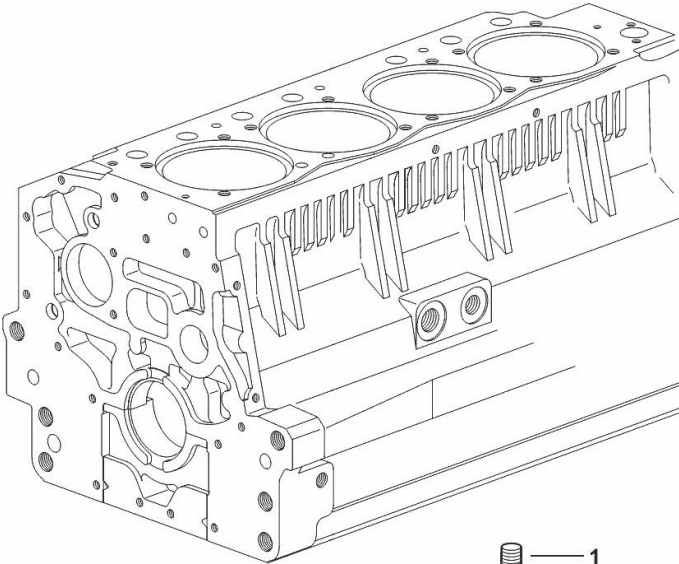
9\_36615\_01\_0-B-001

**PLUG**

| Fig. | P/n | QTY | Name |
|------|-----|-----|------|
|------|-----|-----|------|

Notes:  
[XF-90 -> 6001]

|   |              |   |               |
|---|--------------|---|---------------|
| 1 | 2.3130.003.1 | 1 | plug 3/8" gas |
|---|--------------|---|---------------|



1

9\_34311\_06\_0-A-001

Section: B0 - ENGINE

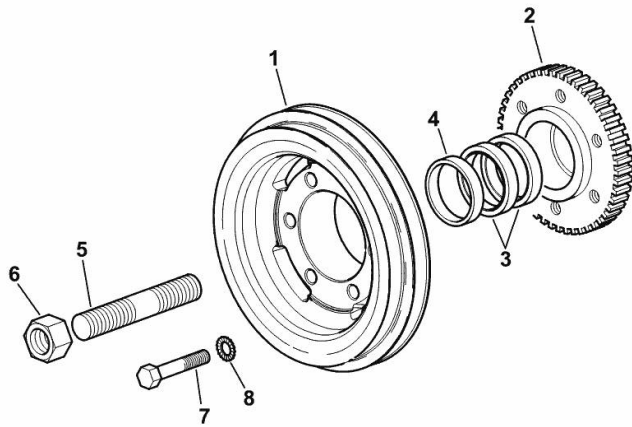
**CRANKSHAFT PULLEY**

| Fig. | P/n | QTY | Name |
|------|-----|-----|------|
|------|-----|-----|------|

**Notes:**

[XF-90 -&gt; 6001]

|   |                 |   |                         |
|---|-----------------|---|-------------------------|
| 1 | 0.013.6349.0/10 | 1 | pulley                  |
| 2 | 0.011.3515.0/20 | 1 | hub Z = 48              |
| 3 | 0.065.1256.0    | 2 | ring 45x52              |
| 4 | 2.1579.865.0    | 1 | spacer 45.2x51.8x10     |
| 5 | 2.0439.195.7    | 1 | stud bolt m 20 p.1.5x80 |
| 6 | 2.1019.094.7    | 1 | nut m 20 p.1.5          |
| 7 | 2.0112.320.2    | 6 | screw m 10 p.1.5 x 55   |
| 8 | 2.1470.006.2    | 6 | lock washer 10          |



9\_N1412\_03\_0-A-001

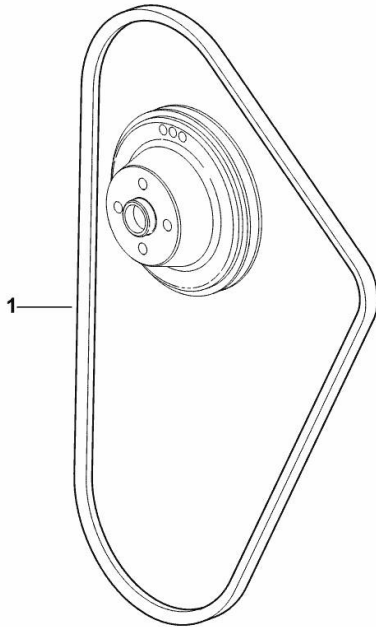
**COOLANT PUMP AND ALTERNATOR DRIVEBELT**

| Fig. | P/n | QTY | Name |
|------|-----|-----|------|
|------|-----|-----|------|

**Notes:**

[XF-90 -&gt; 6001]

|   |                 |   |                      |
|---|-----------------|---|----------------------|
| 1 | 2.4119.190.0/10 | 1 | belt AV 12.7x1240 mm |
|---|-----------------|---|----------------------|



9\_N1517\_02\_0-A-001

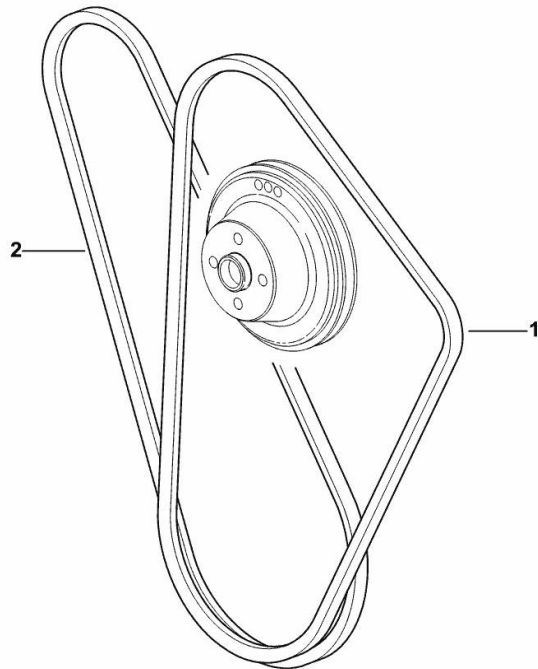
**COOLANT PUMP AND ALTERNATOR DRIVEBELT**

| Fig. | P/n | QTY | Name |
|------|-----|-----|------|
|------|-----|-----|------|

**Notes:**

- FOR MODELS WITH COMPRESSOR [XF-90 -&gt; 6001]

|   |                 |   |                      |
|---|-----------------|---|----------------------|
| 1 | 2.4119.190.0/10 | 1 | belt AV 12.7x1240 mm |
| 2 | 2.4119.143.0    | 1 | belt AV 12.7x1225 mm |

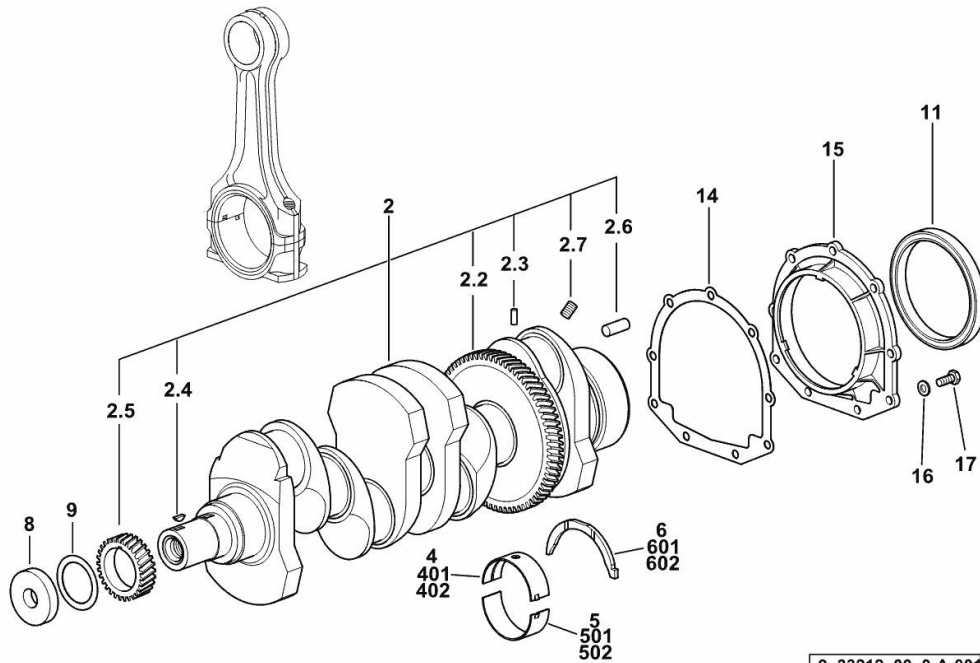


9\_N1517\_04\_0-A-001



Section: B0 - ENGINE

**CRANKSHAFT**



9\_33212\_00\_0-A-001

| Fig. | P/n | QTY | Name |
|------|-----|-----|------|
|------|-----|-----|------|

**Notes:**

[XF-90 -> 6001]

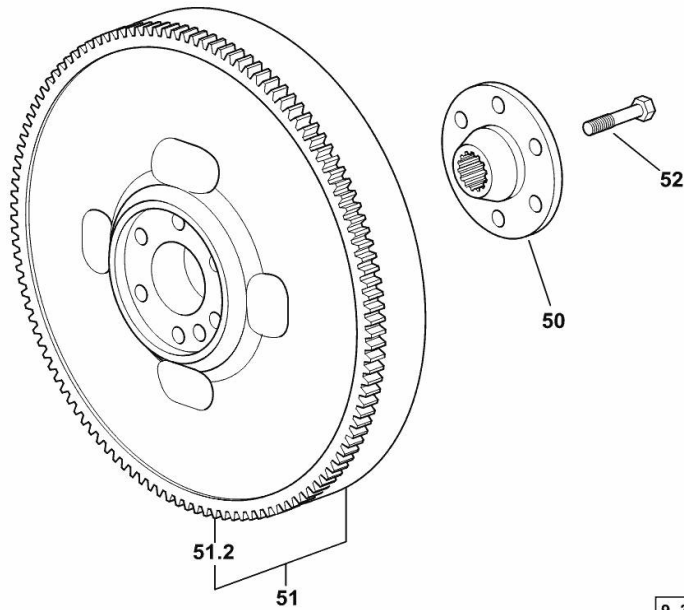
|     |                 |   |                             |
|-----|-----------------|---|-----------------------------|
| 2   | 0.086.1210.3/40 | 1 | crankshaft                  |
| 2.2 | 0.065.1211.0/10 | 1 | crown wheel                 |
| 2.3 | 2.1630.608.0    | 1 | pin 6x16                    |
| 2.4 | 2.1720.006.0    | 1 | key 4x6.5                   |
| 2.5 | 0.065.1323.0/30 | 1 | gear Z = 29                 |
| 2.6 | 2.1651.915.0    | 1 | pin 12x35                   |
| 2.7 | 2.3130.001.1    | 4 | plug 1/8" gas               |
| 4   | 0.065.1215.0/10 | 5 | main half bushing STANDARD  |
| 5   | 0.065.1216.0/10 | 5 | main half bushing STANDARD  |
| 6   | 0.065.1218.0    | 4 | shim STANDARD               |
| 8   | 2.1599.524.7    | 1 | washer 21x60x12             |
| 9   | 2.1589.189.0    | 2 | shoulder ring mm 1.00       |
| 11  | 2.1529.073.0    | 1 | special oil seal 110x130x13 |
| 14  | 0.065.1254.0/20 | 1 | gasket                      |
| 15  | 0.007.1711.0/10 | 1 | cover                       |
| 16  | 2.1475.002.2    | 9 | conical washer 8            |
| 17  | 2.0112.207.2    | 9 | screw m 8 p 1.25 x 20       |
| 401 | 0.065.1215.7    |   | main half bushing - mm 0.25 |
| 402 | 0.065.1215.8    |   | main half bushing - mm 0.50 |
| 501 | 0.065.1216.7    |   | main half bushing - mm 0.25 |
| 502 | 0.065.1216.8    |   | main half bushing - mm 0.50 |
| 601 | 0.065.1218.7    |   | shim + mm 0.10              |
| 602 | 0.065.1218.8    |   | shim + mm 0.15              |

Section: B0 - ENGINE  
**ENGINE FLYWHEEL**

| Fig. | P/n | QTY | Name |
|------|-----|-----|------|
|------|-----|-----|------|

Notes:  
 [XF-90 -> 6001]

|      |                 |   |                      |
|------|-----------------|---|----------------------|
| 50   | 0.255.2525.0/10 | 1 | flange               |
| 51   | 0.076.1247.3/30 | 1 | flywheel             |
| 51.2 | 0.065.1242.0    | 1 | crown wheel Z = 123  |
| 52   | 2.0139.022.2    | 6 | screw m 12 p.1.25x55 |



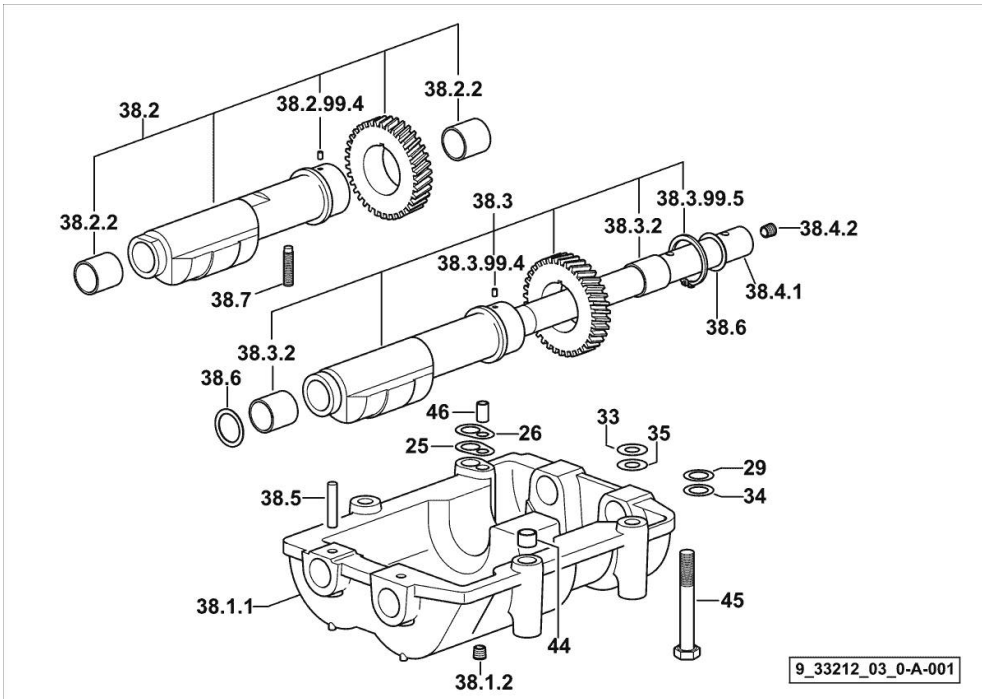
9\_33212\_07\_0-A-001

Section: B0 - ENGINE  
**COUNTERWEIGHTS**

| Fig. | P/n | QTY | Name |
|------|-----|-----|------|
|------|-----|-----|------|

Notes:  
 [XF-90 -> 6001]

|           |                 |   |                           |
|-----------|-----------------|---|---------------------------|
| 25        | 2.1589.139.0    | 1 | shoulder ring mm 0.3      |
| 26        | 2.1589.140.0    | 3 | shoulder ring mm 0.1      |
| 29        | 2.1579.628.0    | 3 | spacer 16.5x26x0.1        |
| 33        | 2.1579.629.0    | 6 | spacer 12.5x26x0.1        |
| 34        | 2.1589.048.0    | 1 | shoulder ring 16.5x26x0.3 |
| 35        | 2.1589.049.0    | 1 | shoulder ring 12.5x26x0.3 |
| 38.1.1    | 0.086.1231.0/10 | 1 | box                       |
| 38.1.2    | 2.3130.001.1    | 4 | plug 1/8" gas             |
| 38.2      | 0.086.1233.3/30 | 1 | mass sx/lh/li             |
| 38.2.2    | 2.1559.115.0    | 2 | special bushing 26x30x30  |
| 38.2.99.4 | 2.1651.302.0    | 1 | roll pin 4x6              |
| 38.3      | 0.065.1233.3/30 | 1 | mass dx/rh/re             |
| 38.3.2    | 2.1559.115.0    | 2 | special bushing 26x30x30  |
| 38.3.99.4 | 2.1651.302.0    | 1 | roll pin 4x6              |
| 38.3.99.5 | 2.1410.018.7    | 1 | circlip 45                |
| 38.4.1    | 0.065.1234.0/10 | 1 | shaft                     |
| 38.4.2    | 2.3130.001.1    | 1 | plug 1/8" gas             |
| 38.5      | 2.1631.717.0    | 2 | roll pin 8 x 40           |
| 38.6      | 2.1589.185.0    | 4 | shoulder ring 26.1x34x1   |
| 38.7      | 2.0522.212.7    | 1 | screw m 8 p.1.25 x 30     |
| 44        | 2.1579.626.0    | 2 | spacer 13.2x16x11         |
| 45        | 2.0139.028.2    | 4 | screw m 12                |
| 46        | 2.1699.191.0    | 1 | bush 7x10x16              |



Section: B0 - ENGINE

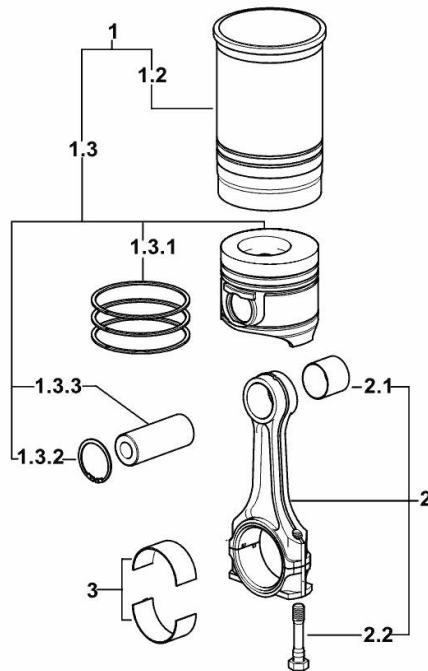
**CYLINDER - PISTON - CONNECTING ROD**

| Fig. | P/n | QTY | Name |
|------|-----|-----|------|
|------|-----|-----|------|

**Notes:**

[XF-90 -> 6001]

|       |                 |   |  |
|-------|-----------------|---|--|
| 1     | 0.099.0065.A    | 4 | cyl. piston assembly "A"<br>- CLASS A              |
| 1     | 0.099.0065.B    | 4 | cyl. piston assembly "B"<br>- CLASS B              |
| 1.2   | 0.A12.2675.0    | 1 | engine cylinder "A"<br>- CLASS A                   |
| 1.2   | 0.B12.2675.0    | 1 | engine cylinder "B"<br>- CLASS B                   |
| 1.3   | 0.099.0060.A    | 1 | complete piston "A"<br>- CLASS A                   |
| 1.3   | 0.099.0060.B    | 1 | complete piston "B"<br>- CLASS B                   |
| 1.3.1 | 0.081.0090.6/10 | 1 | piston ring set                                    |
| 1.3.2 | 2.1411.014.1    | 2 | circlip 35   |
| 1.3.3 | 0.078.1236.0    | 1 | piston pin Ø 18 / Ø 35 / L = mm 86                 |
| 2     | 0.078.1220.3/30 | 4 | engine connecting rod                              |
| 2.1   | 2.1559.114.0/10 | 1 | special bushing                                    |
| 2.2   | 2.0399.213.0    | 2 | screw m 12 p.1.25x61.5                             |
| 3     | 0.065.1225.0    | 8 | con.rod half bushing STANDARD - A = 28.75 -> 29.00 |
| 3     | 0.065.1225.7    | 8 | con.rod half bushing - mm 0.25                     |
| 3     | 0.065.1225.8    | 8 | con.rod half bushing - mm 0.50                     |



9\_M5212\_01\_M-A-001

Section: B0 - ENGINE

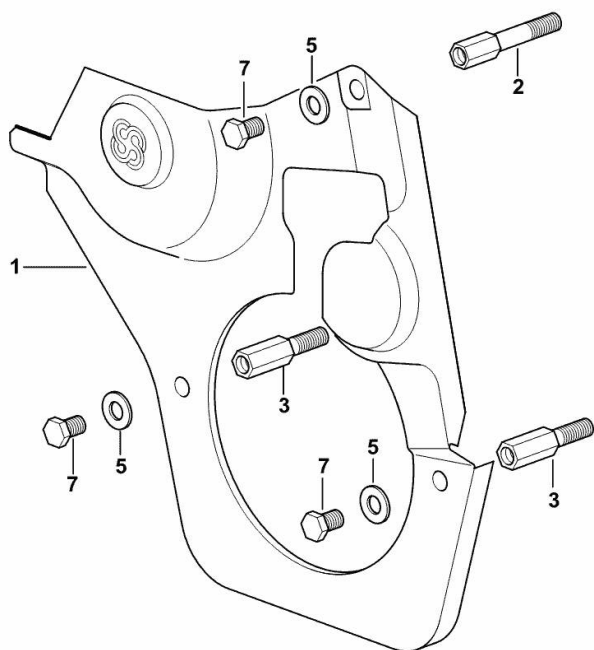
**GUARD PLATE**

| Fig. | P/n | QTY | Name |
|------|-----|-----|------|
|------|-----|-----|------|

**Notes:**

[XF-90 -&gt; 6001]

|   |                 |   |                                     |
|---|-----------------|---|-------------------------------------|
| 1 | 0.007.1262.3/50 | 1 | guard                               |
| 2 | 0.007.1271.0/10 | 1 | small column m 8 p.1.25 / L = mm 60 |
| 3 | 0.007.1272.0/10 | 2 | small column m 8 p.1.25 / L = mm 50 |
| 5 | 2.1310.004.2    | 3 | flat washer 8.4x17                  |
| 7 | 2.0112.203.2    | 3 | screw m 8 p.1.25 x 12               |



9\_33011\_02\_0-A-001

Section: B0 - ENGINE

**TIMING CASE**

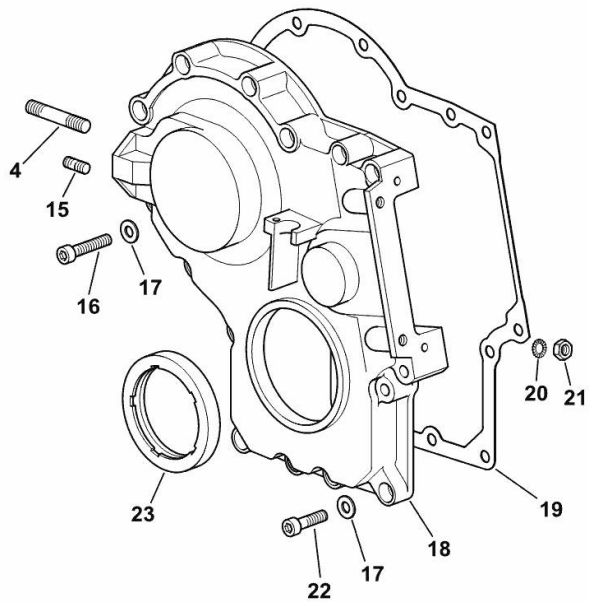
| Fig. | P/n | QTY | Name |
|------|-----|-----|------|
|------|-----|-----|------|

**Notes:**

[XF-90 -> 6001]

|    |                 |    |                                  |
|----|-----------------|----|----------------------------------|
| 4  | 2.0432.009.7    | 1  | stud bolt m 8 p.1.25 / p. 1 x 35 |
| 15 | 2.0432.003.7    | 1  | stud bolt m 8 p.1.25 / p.1 x 20  |
| 16 | 2.0312.214.2    | 7  | screw m 8 p.1.25 x 40            |
| 17 | 2.1480.014.1    | 15 | washer 8                         |
| 18 | 0.013.4981.0    | 1  | guard                            |
| 19 | 0.065.1150.0/30 | 1  | gasket                           |
| 20 | 2.1470.004.2    | 4  | lock washer 8                    |
| 21 | 2.1011.405.2    | 2  | nut m 8 p.1                      |
| 22 | 2.0312.208.2    | 8  | screw m 8 p.1.25 x 25            |
| 23 | 2.1529.167.0    | 1  | oil seal                         |

9\_M8211\_00\_0-B-001



Section: B0 - ENGINE

**TIMING CASE**

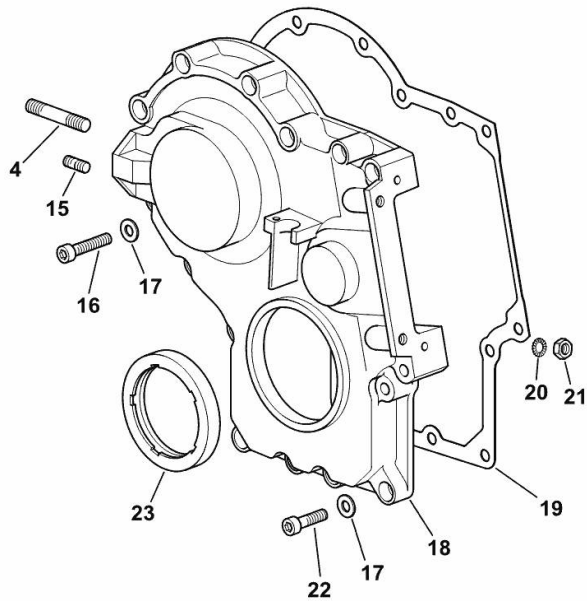
| Fig. | P/n | QTY | Name |
|------|-----|-----|------|
|------|-----|-----|------|

**Notes:**

- EXPORT U.S.A. [XF-90 -&gt; 6001]

|    |                 |    |                                  |
|----|-----------------|----|----------------------------------|
| 4  | 2.0432.009.7    | 1  | stud bolt m 8 p.1.25 / p. 1 x 35 |
| 15 | 2.0432.003.7    | 1  | stud bolt m 8 p.1.25 / p.1 x 20  |
| 16 | 2.0312.214.2    | 7  | screw m 8 p.1.25 x 40            |
| 17 | 2.1480.014.1    | 15 | washer 8                         |
| 18 | 0.013.4981.0    | 1  | guard                            |
| 19 | 0.065.1150.0/30 | 1  | gasket                           |
| 20 | 2.1470.004.2    | 4  | lock washer 8                    |
| 21 | 2.1011.405.2    | 2  | nut m 8 p.1                      |
| 22 | 2.0312.208.2    | 8  | screw m 8 p.1.25 x 25            |
| 23 | 2.1529.167.0    | 1  | oil seal                         |

9\_O1011\_00\_0-B-001



Thank you so much for reading.  
Please click the “Buy Now!”  
button below to download the  
complete manual.



After you pay.

You can download the most  
perfect and complete manual in  
the world immediately.

Our support email:

[ebooklibonline@outlook.com](mailto:ebooklibonline@outlook.com)