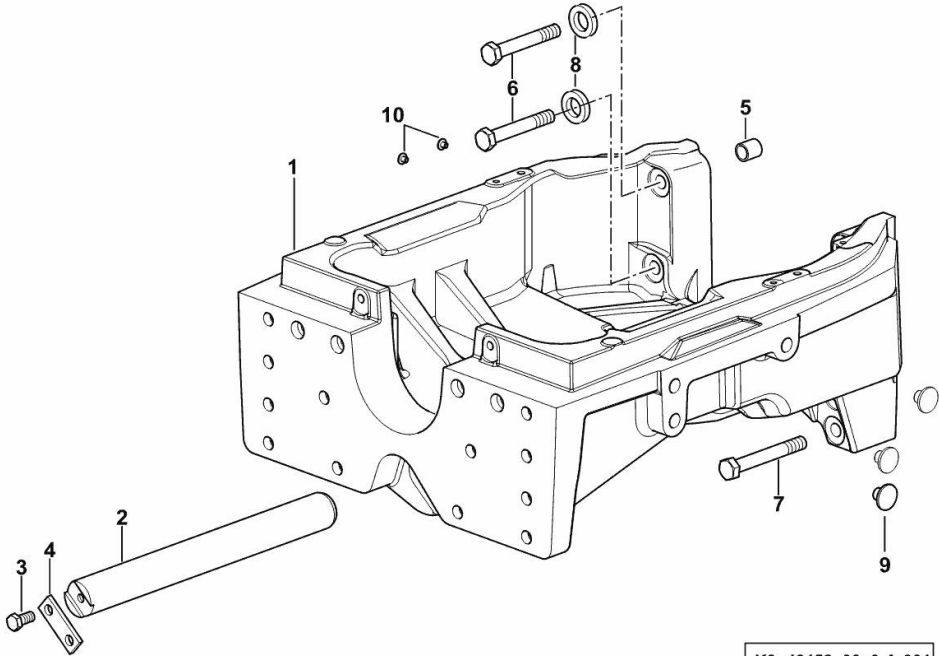


Section: F0 - FRONT AXLE  
4WD - FRONT SUPPORT

Fig.	P/n	QTY	Name
------	-----	-----	------

Notes:  
[XL 120.4 T4i Hi Level]

1	0.016.0970.0/40	1	front support
2	04411024	1	pin
3	2.0114.409.2	2	screw m 12 x 25
4	04419914	1	bracket
5	2.2680.047.0	2	ring 17x22x23
6	2.0113.630.2	4	screw m 16x105
7	2.0119.282.6	4	screw m 16 x 120
8	01174740	4	washer 16.5x31x7
9	01167322	10	bottom 18.4x15.5x25
10	0.017.8802.0	2	bottom



K9\_J6452\_00\_0-A-001

**4WD - FRONT CARRIER WITH SUSPENSION**

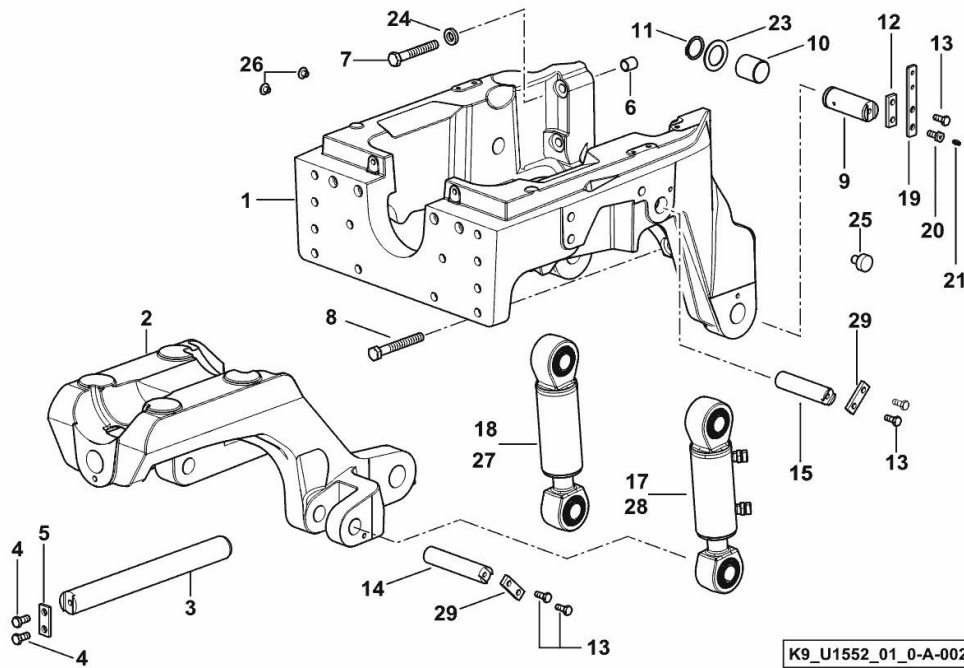


Fig.	P/n	QTY	Name
<b>Notes:</b>			
[XL 120.4 T4i Hi Level]			
1	0.016.0971.0/40	1	front support
2	04455624/30	1	support
3	04411024	1	pin
4	2.0114.409.2	2	screw m 12 x 25
5	04411025	1	flange
6	2.2680.047.0	2	ring 17x22x23
7	2.0113.630.2	4	screw m 16x105
8	2.0119.282.6	4	screw m 16 x 120
9	2.1679.130.0	2	pin
10	04424134/20	2	bushing
11	2.1410.016.7	2	circlip 40x1.75
12	0.020.8164.0	2	small plate
13	2.0114.309.2	10	screw m 10 p 1.25 x 25
14	0.015.3715.0/10	2	pin
15	0.015.3716.0/10	2	pin
17	04455060/10	1	jack sx/lh/li - Weber ☞ 04455060/10
18	04455061/10	1	jack dx/rh/re - Weber ☞ 04455061/10
19	0.021.5396.0	1	small plate
20	2.3249.736.7	2	screw m 12 x 30
21	2.3820.101.2	2	grease gun m 6 p.1 x 5
23	04438682	2	ring
24	01174740	4	washer 16.5x31x7
25	01167322	10	bottom 18.4x15.5x25
26	0.017.8802.0	2	bottom
27	2.3749.016.0	1	jack dx/rh/re - Ognibene ☞ 2.3749.016.0
28	2.3749.015.0	1	jack sx/lh/li - Ognibene ☞ 2.3749.015.0
29	04422768	4	small plate

**4WD - FRONT CARRIER WITH SUSPENSION**

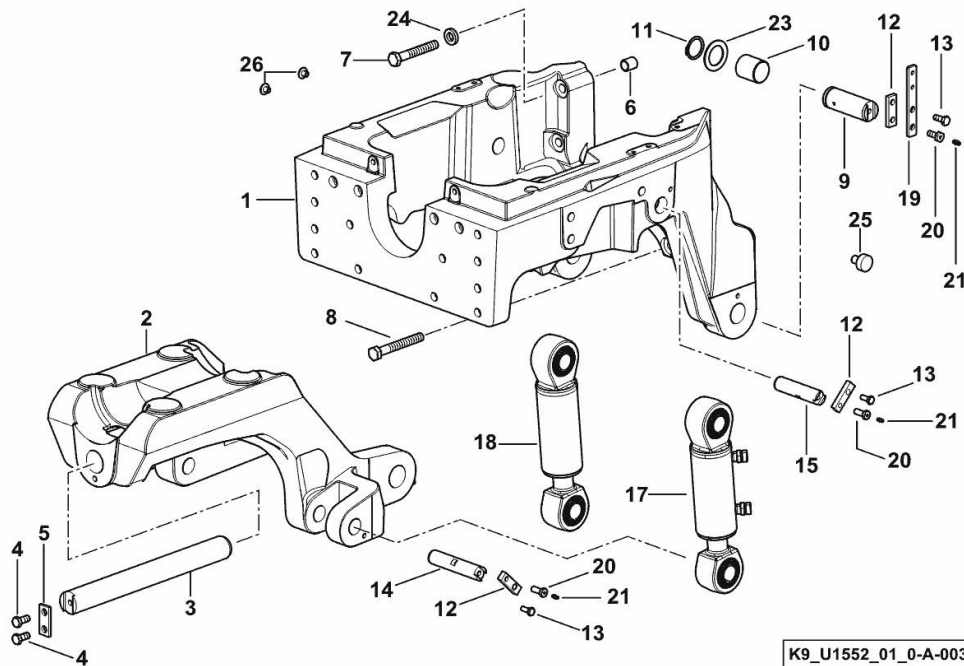


Fig.	P/n	QTY	Name
------	-----	-----	------

**Notes:**

[XL 120.4 T4i Hi Level]

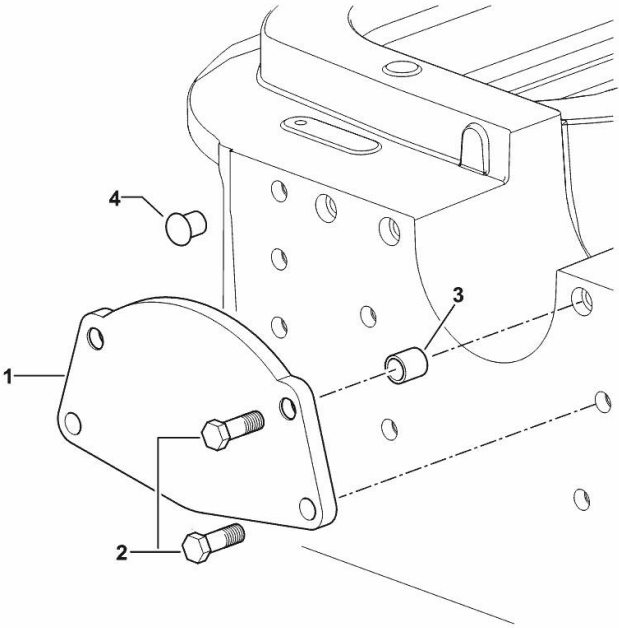
1	0.016.0971.0/40	1	front support
2	04455624/30	1	support
3	04411024	1	pin
4	2.0114.409.2	2	screw m 12 x 25
5	04411025	1	flange
6	2.2680.047.0	2	ring 17x22x23
7	2.0113.630.2	4	screw m 16x105
8	2.0119.282.6	4	screw m 16 x 120
9	2.1679.130.0	2	pin
10	04424134/20	2	bushing
11	2.1410.016.7	2	circlip 40x1.75
12	0.020.8164.0	6	small plate
13	2.0114.309.2	6	screw m 10 p 1.25 x 25
14	0.021.0516.0	2	pin
15	0.021.8686.0	2	pin
17	2.3749.036.0/10	1	jack sx/lh/li - Weber
18	2.3749.035.0/10	1	jack dx/rh/re - Weber
19	0.021.5396.0	1	small plate
20	2.3249.736.7	6	screw m 12 x 30
21	2.3820.101.2	6	grease gun m 6 p.1 x 5
23	04438682	2	ring
24	01174740	4	washer 16.5x31x7
25	01167322	10	bottom 18.4x15.5x25
26	0.017.8802.0	2	bottom

**FRONT COVER WITHOUT FRONT HOOK**

Fig.	P/n	QTY	Name
------	-----	-----	------

Notes:  
 [XL 120.4 T4i Hi Level]

1	04422634/10	1	plate
2	2.0112.615.2	4	screw m 16 p.2 x 40
3	2.2680.047.0	2	ring 17x22x23
4	01167317	12	plug 14.5X11.5X21



K9\_95052\_31\_0-A-001

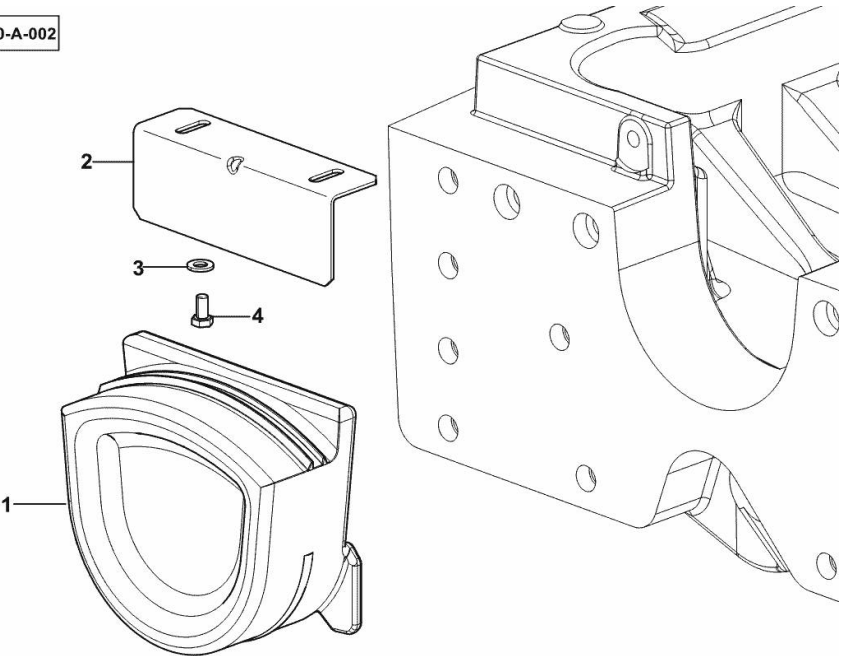
**BLANKING PLUG FOR TYPES WITHOUT FRONT PTO**

Fig.	P/n	QTY	Name
------	-----	-----	------

**Notes:**  
 - FOR TYPES WITHOUT SUSPENDEED AXLE [XL 120.4 T4i Hi Level]

1	0.018.5541.0	1	plug
2	0.020.0527.0	1	bracket
3	2.1310.003.2	2	flat washer 7.4x14
4	2.0114.003.2	2	screw m 6 p.1 x 12

K9\_R5152\_01\_0-A-002



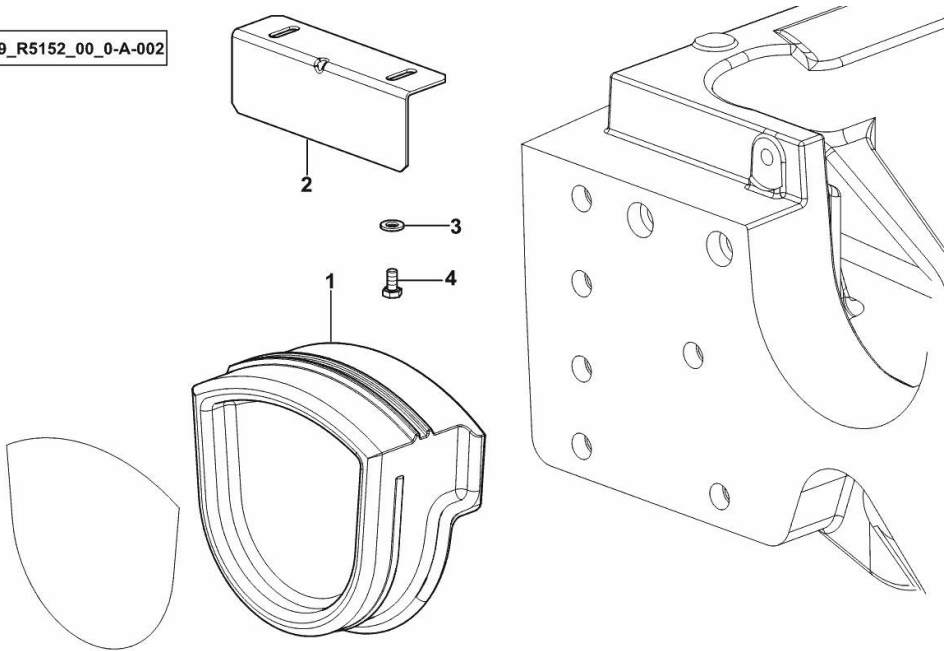
**BLANKING PLUG FOR TYPES WITHOUT FRONT PTO**

Fig.	P/n	QTY	Name
------	-----	-----	------

**Notes:**  
 - FOR TYPES WITH SUSPENDED DRIVING AXLE [XL 120.4 T4i Hi Level]

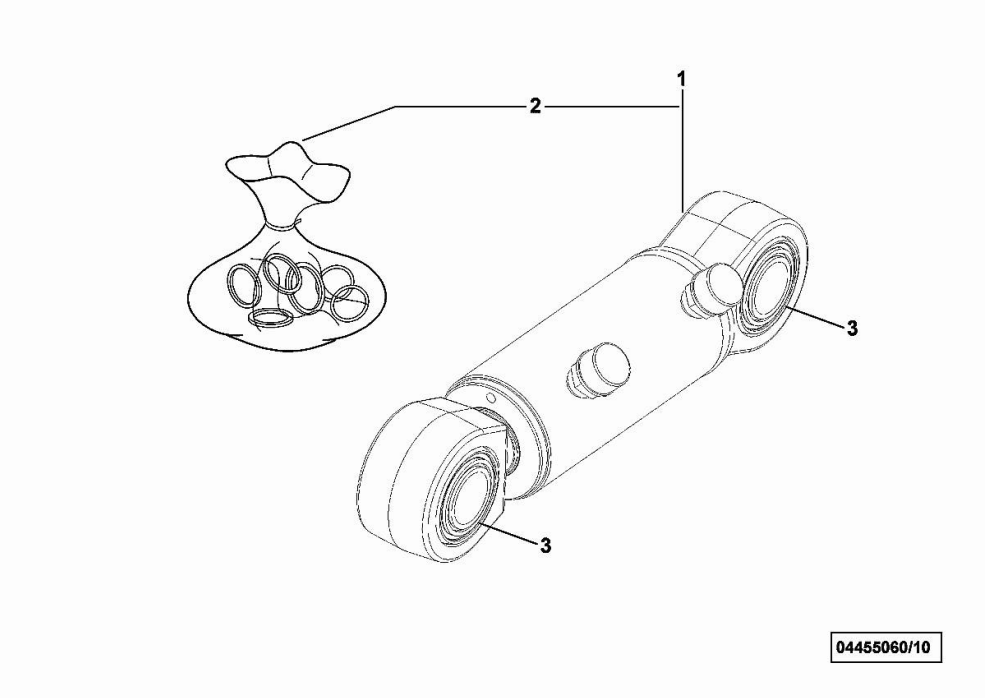
1	0.018.3720.0	1	plug
2	0.020.0527.0	1	bracket
3	2.1310.003.2	2	flat washer 7.4x14
4	2.0114.003.2	2	screw m 6 p.1 x 12

K9\_R5152\_00\_0-A-002



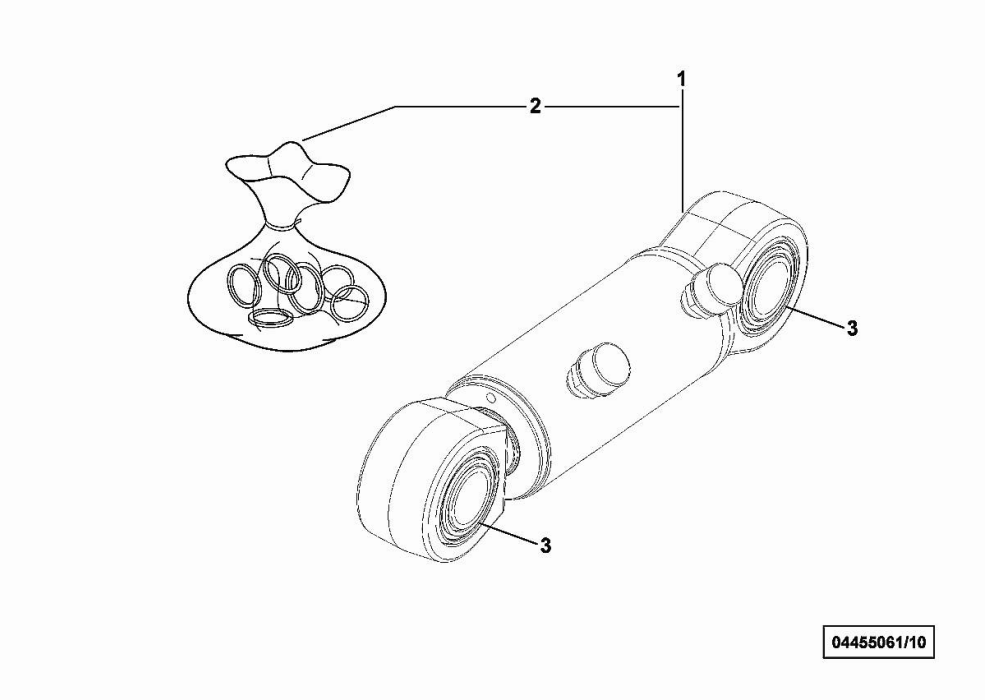
Section: F0 - FRONT AXLE  
**HYDRAULIC CYLINDER**

Fig.	P/n	QTY	Name
1	04455060/10	1	jack sx/lh/li - Weber
2	0.900.1284.5	1	gasket set
3	0.900.1492.3	2	bushing



**HYDRAULIC CYLINDER**

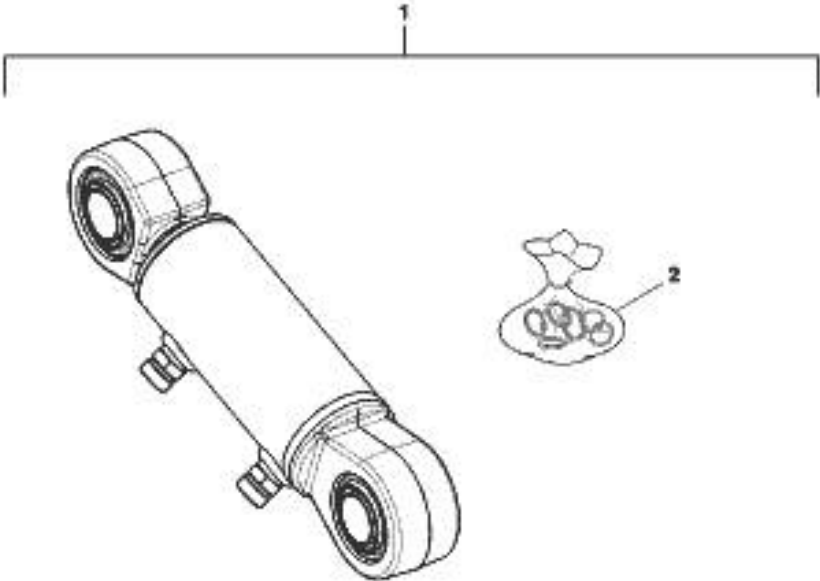
Fig.	P/n	QTY	Name
1	04455061/10	1	jack dx/rh/re - Weber
2	0.900.1284.5	1	gasket set
3	0.900.1492.3	2	bushing





**CYLINDER**

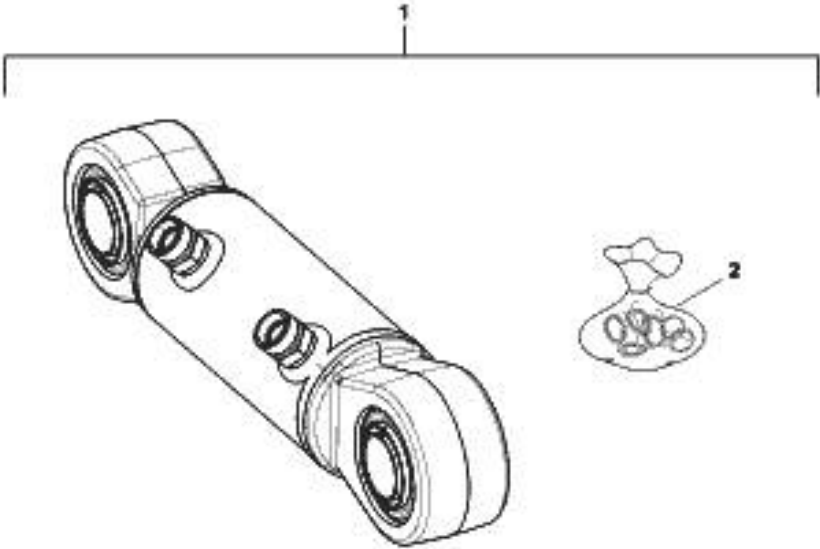
Fig.	P/n	QTY	Name
1	2.3749.015.0	1	jack sx/lh/li - Ognibene
2	0.900.1977.8	1	seal ring kit



2.3749.015.0

**CYLINDER**

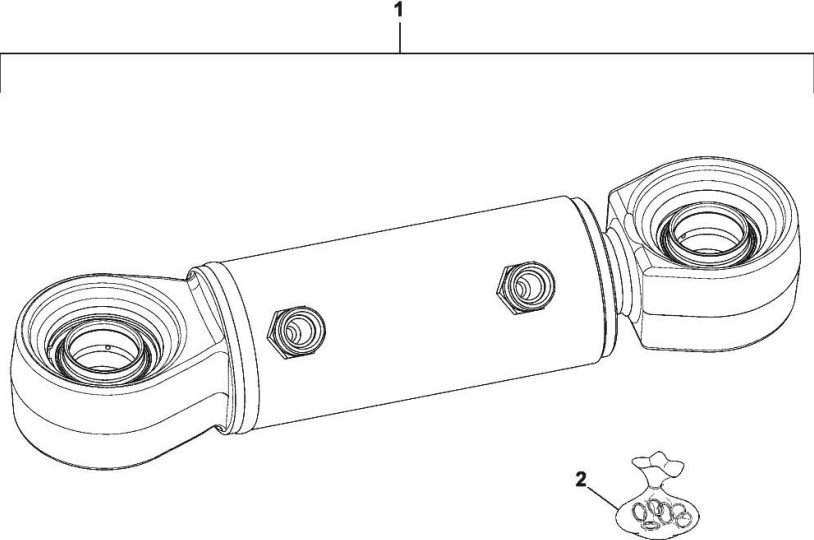
Fig.	P/n	QTY	Name
1	2.3749.016.0	1	jack dx/rh/re - Ognibene
2	0.900.1977.8	1	seal ring kit



2.3749.016.0

**HYDRAULIC CYLINDERS**

Fig.	P/n	QTY	Name
1	2.3749.035.0/10	1	jack dx/rh/re - Weber
2	0.900.2274.6	1	gasket set



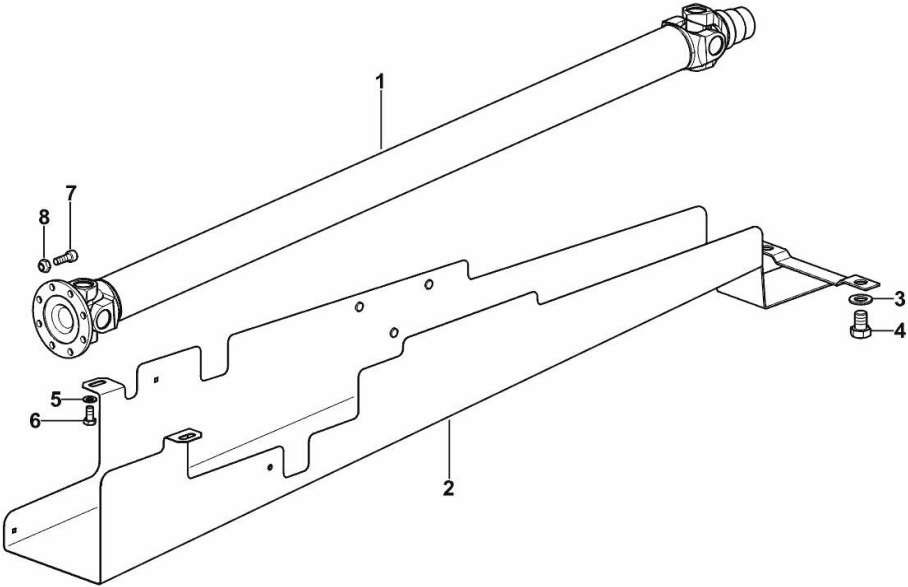
2.3749.035.0/10

4WD - TRANSMISSION SHAFT

Fig.	P/n	QTY	Name
------	-----	-----	------

Notes:  
 [XL 120.4 T4i Hi Level]

1	04426796/40	1	transmission shaft ☞ 04426796/40
2	0.020.0428.3/10	1	guard
3	2.1310.011.2	2	flat washer 19x34
4	2.0112.709.2	2	screw m 18 p.2.5x25
5	2.1310.006.2	2	flat washer 10.5x21
6	2.0112.307.2	2	screw m 10 p.1.5 x 20
7	2.0319.023.6/10	8	screw m 10 p.1x29
8	01136456	8	nut m 10



K9\_V3126\_00\_0-A-001

**4WD - PROPELLER SHAFT CASING**

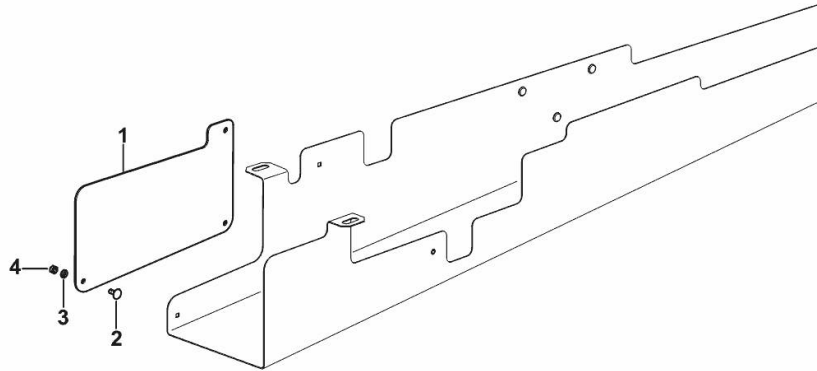
---

Fig.	P/n	QTY	Name
------	-----	-----	------

---

Notes:  
- FOR TYPES WITHOUT SUSPENDED AXLE [XL 120.4 T4i Hi Level]

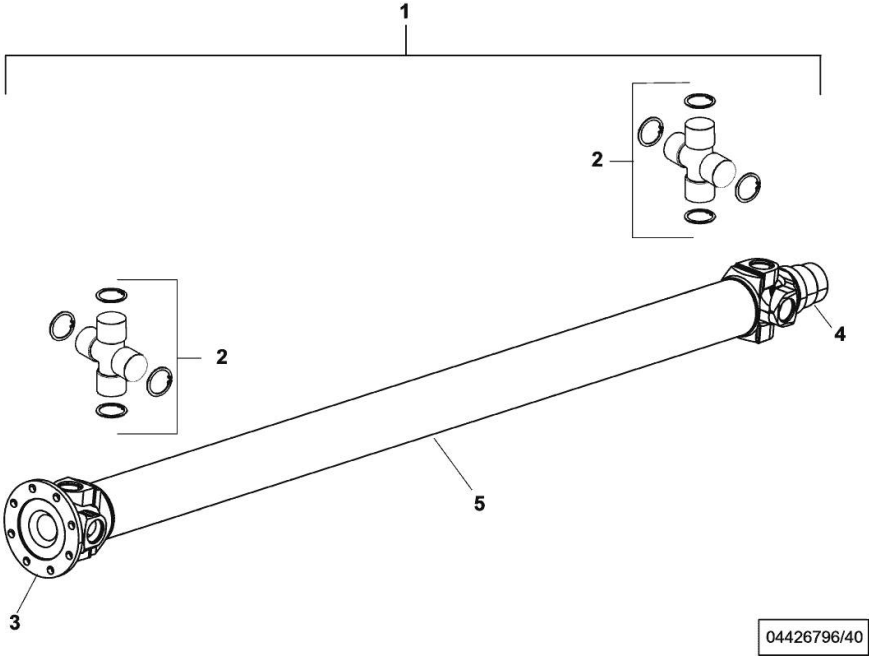
1	0.020.0677.0	1	guard
2	2.0020.103.2	3	screw m 6 p.1 x 16
3	2.1310.002.2	3	flat washer 6.4x12.5
4	2.1011.103.2	3	nut m 6 p.1



K9\_V3126\_01\_0-A-001

**CARDAN JOINT**

Fig.	P/n	QTY	Name
1	04426796/40	1	transmission shaft
2	0.900.1996.2	2	universal joint - KIT
3	0.900.0053.9	1	fork
4	0.900.2145.3	1	fork - KIT
5	0.000.0000.1		cannot be supplied



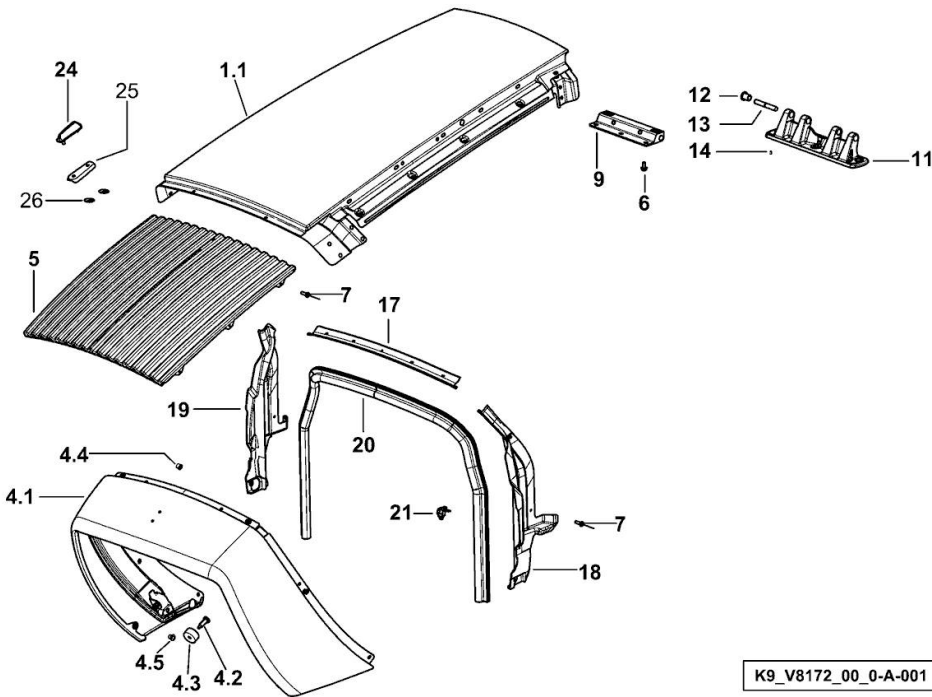
**HOOD**

Fig.	P/n	QTY	Name
------	-----	-----	------

**Notes:**

[XL 120.4 T4i Hi Level]

1.1	0.019.9525.3	1	upper hood
4.1	0.013.4290.8/30	1	front hood
4.2	0.012.8465.0	2	screw m 6
4.3	0.012.7257.0/10	2	roller
4.4	2.1149.005.2	4	bush m 6
4.5	2.1140.018.2	2	nut m 6 p.1, d934
5	0.019.0355.2	1	grille
6	2.0129.065.0	39	screw m 6 x 14
7	2.1856.004.0	23	rivet 4
9	0.013.1914.3/20	1	hinge
11	0.013.0881.0/40	1	support
12	2.1559.147.0	4	bushing
13	2.1699.563.0	2	pin 10x70
14	2.0532.003.7	2	grub screw m 5x10
17	0.013.2567.0	1	frame
18	0.014.1709.0/30	1	frame sx/lh/li
19	0.014.1708.0/20	1	frame dx/rh/re
20	0.014.4372.0	1	sealing section
21	2.6859.108.0	7	clamp
24	0.019.0354.0	1	gasket
25	0.018.8461.0/10	1	profile
26	2.6999.074.0	2	clip 6 x 24



Thank you so much for reading.  
Please click the “Buy Now!”  
button below to download the  
complete manual.



After you pay.

You can download the most  
perfect and complete manual in  
the world immediately.

Our support email:

[ebooklibonline@outlook.com](mailto:ebooklibonline@outlook.com)