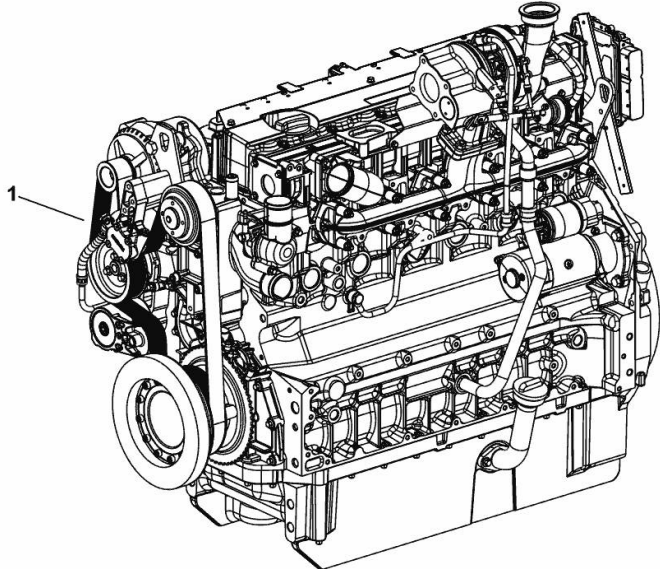


ENGINE

Fig.	P/n	QTY	Name
------	-----	-----	------

Notes:
- NOT FOR EUROPEAN MARKET [XL 130 DCR -> 20001]

1	25009672	1	engine ON ORDERING PLEASE ENGINE NO. REQUIRED
---	----------	---	---



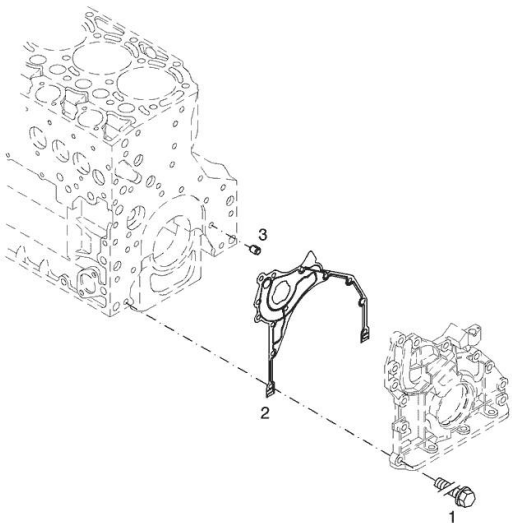
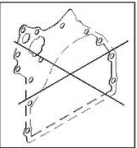
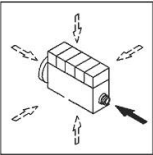
9_O9919_05_0-A-001

FASTENINGS

Fig.	P/n	QTY	Name
------	-----	-----	------

Notes:
 [XL 130 DCR -> 20001]

1	01183645	12	screw EN 1662 -F-M8X35-10.9-ZNAL-A
2	04504325	1	gasket
3	01181406	1	bushing H 2341 -B11X8-FE/ZN12C*

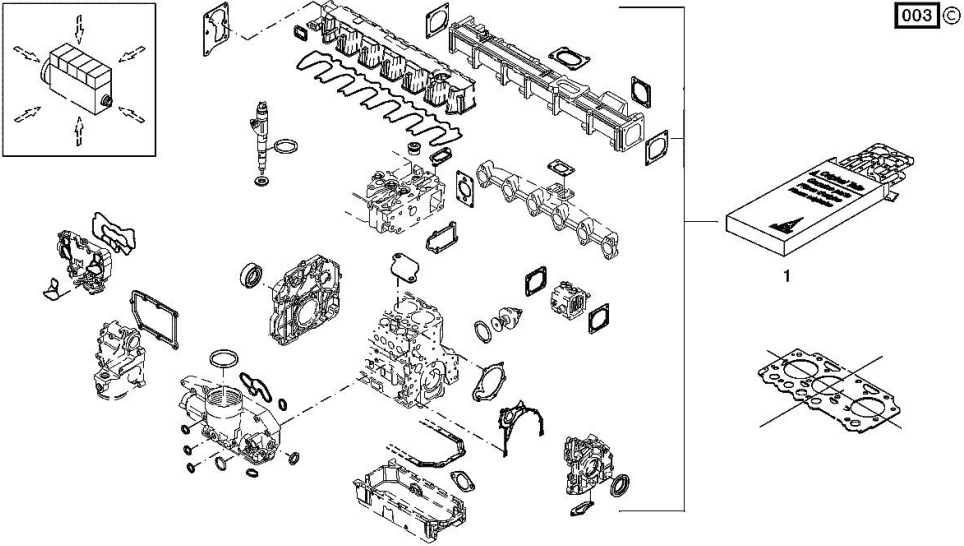


Section: B0 - ENGINE
SERIE GUARNIZIONI

Fig.	P/n	QTY	Name
------	-----	-----	------

Notes:
[XL 130 DCR -> 20001]

1	02937588	1	gasket set THE KIT DOES NOT CONTAIN ALL THE GASKETS: SEE SM 0199-99-9449
---	----------	---	--



Section: B0 - ENGINE

BLEEDING TUBE

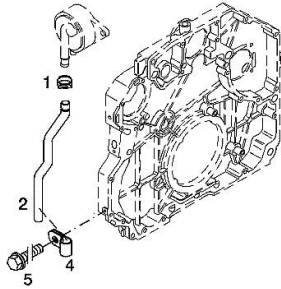
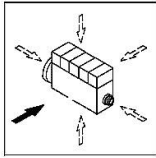
Fig.	P/n	QTY	Name
------	-----	-----	------

Notes:

[XL 130 DCR -> 20001]

1	01178750	1	clamp DIN 3021 -A-29X15
2	04290751	1	tube
4	01173523	1	fascia DIN 3016 -1-A1-25X20-W1-2
5	01181433	1	screw EN 1662 -F-M8X20-LG2,5-10.9-ZNAL-A

000 ©



Section: B0 - ENGINE

ACCESSORIES

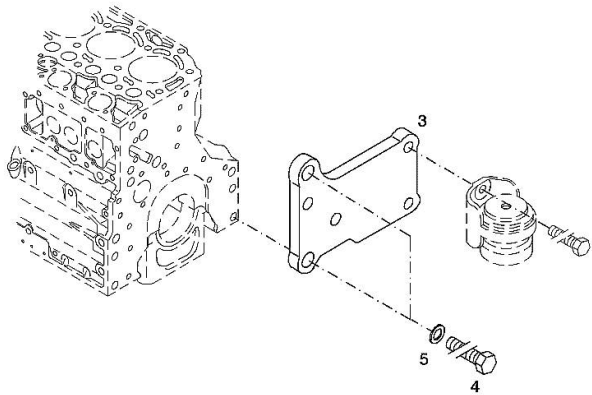
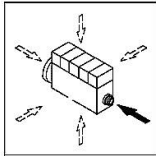
Fig.	P/n	QTY	Name
------	-----	-----	------

Notes:

[XL 130 DCR -> 20001]

3	04288659	1	support
4	01148261	2	screw ISO 4017 -M16X40-10.9-ZNAL-A
5	01181400	2	washer H 2308 -18X25X1,5-A4C

006 ©



Section: B0 - ENGINE

ACCESSORIES

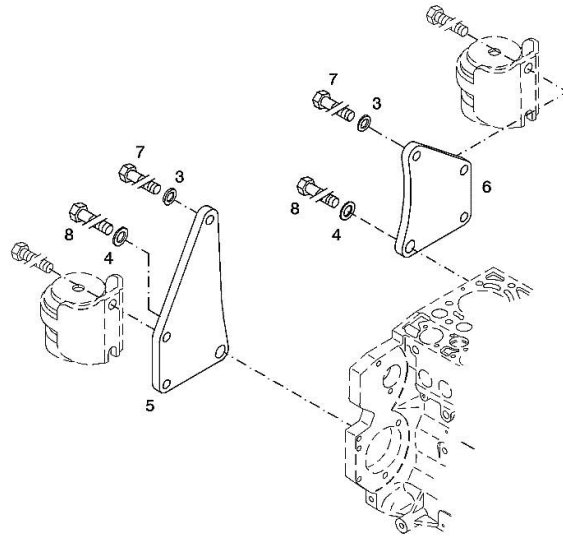
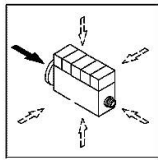
Fig.	P/n	QTY	Name
------	-----	-----	------

Notes:

[XL 130 DCR -> 20001]

3	01182016	2	disc H 2308 -13X24X3-ZNAL-A
4	01181400	2	washer H 2308 -18X25X1,5-A4C
5	04206926	1	plate dx/rh/re
6	04206927	1	plate sx/lh/li
7	01148137	2	screw - UP TO MONTH OF ASSEMBLY (A) - FROM MONTH OF ASSEMBLY SEE POS. (B) A = 06.2009 B = POS. 950 DIN 931 -M12X75-10.9-ZNAL-A
8	01148037	2	screw UP TO MONTH OF ASSEMBLY (A) - FROM MONTH OF ASSEMBLY SEE POS. (B) A = 06.2009 B = POS. 951 ISO 4014 -M16X75-10.9-OELGESCHW
950	01149017	2	screw - FROM MONTH OF ASSEMBLY SEE POS. (B) - UP TO MONTH OF ASSEMBLY (A) FROM MONTH OF ASSEMBLY A = 07.2009 B = 7 DIN 34800 -BM12X75-10.9-ZNAL-A
951	01180235	2	screw - FROM MONTH OF ASSEMBLY SEE POS. (B) - UP TO MONTH OF ASSEMBLY (A) FROM MONTH OF ASSEMBLY A = 07.2009 B= Pos.8 H 2032 -HBM16X75-10.9-GESCHW

003 ©



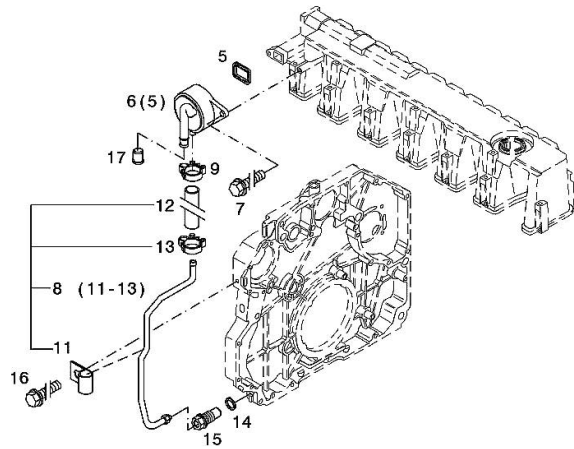
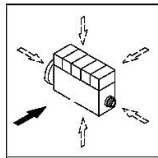
Section: B0 - ENGINE
CRANKCASE BREATHER

Fig.	P/n	QTY	Name
------	-----	-----	------

Notes:
 [XL 130 DCR -> 20001]

5	04298547	1	rubber plug
6	04905110	1	breather WITH POS.... (5)
7	01181432	2	screw m8x30 EN 1662 -F-M8X30-10.9-ZNAL-A
8	04504876	1	tube WITH POS.... 11-13
9	01182878	1	fascia H 3461 -F-13,0/8
11	02144961	1	fascia
12	04288507	1	rubber tube H 3407 -F8X14X57-EAM/ARAMID/EAM
13	01182878	1	fascia H 3461 -F-13,0/8
14	01118737	1	oil seal 22 x 27 DIN 7603 -A22X27-CU
15	04505853	1	pipe union
16	01181442	1	screw m6x12 EN 1662 -F-M6X12-10.9-ZNAL-A
17	01161302	1	bottom H 2873 -A25,5X22,8X17-PEWEICH

002 ©

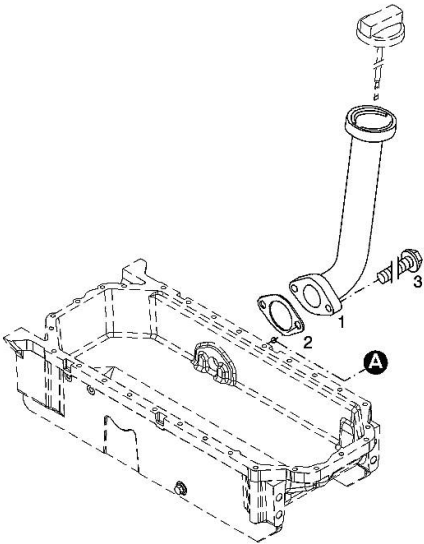
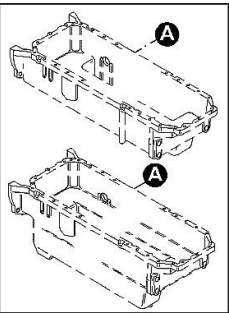
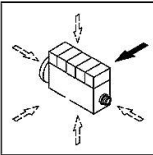


Section: B0 - ENGINE
OIL FILLER NECK

Fig.	P/n	QTY	Name
------	-----	-----	------

Notes:
[XL 130 DCR -> 20001]

1	04207099	1	tube
2	01178421	1	gasket
3	01181433	2	screw
			30 Nm



001 ©

Section: B0 - ENGINE

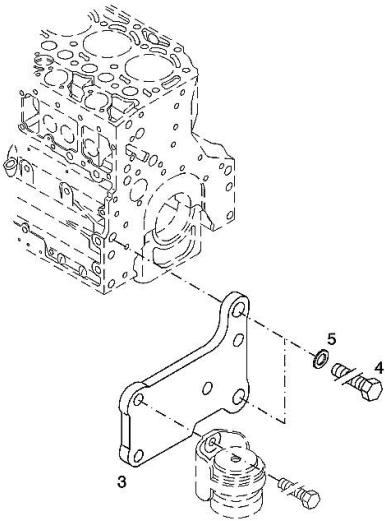
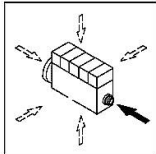
ACCESSORIES

Fig.	P/n	QTY	Name
------	-----	-----	------

Notes:
 [XL 130 DCR -> 20001]

3	04288660	1	support
4	01148261	2	screw ISO 4017 -M16X40-10.9-ZNAL-A
5	01181400	2	washer H 2308 -18X25X1,5-A4C

003 ©



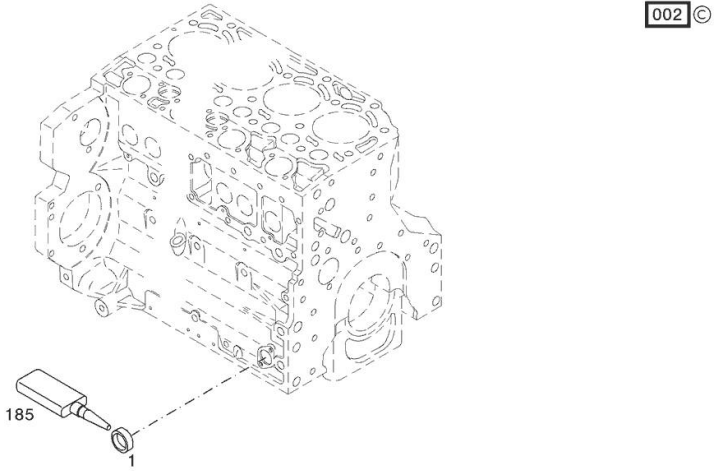
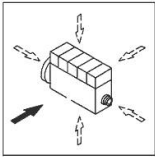
PLUG

Fig.	P/n	QTY	Name
------	-----	-----	------

Notes:

[XL 130 DCR -> 20001]

1	01148031	1	plug DIN 443 -A36-ZNPHR
185	01319911	1	sealing compound ml. 50

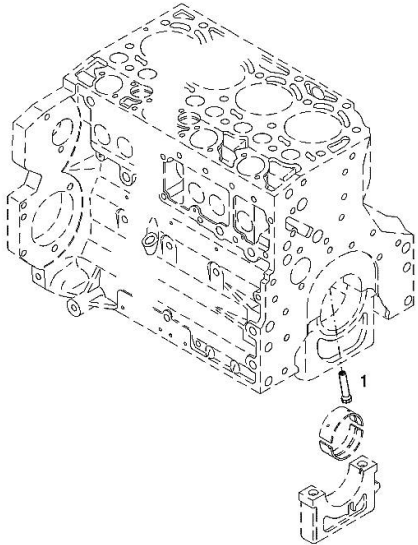
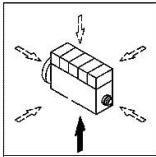


PISTON COOL.NOZZLE

Fig.	P/n	QTY	Name
------	-----	-----	------

Notes:
 [XL 130 DCR -> 20001]

1	04207521	1	sprayers
---	----------	---	----------



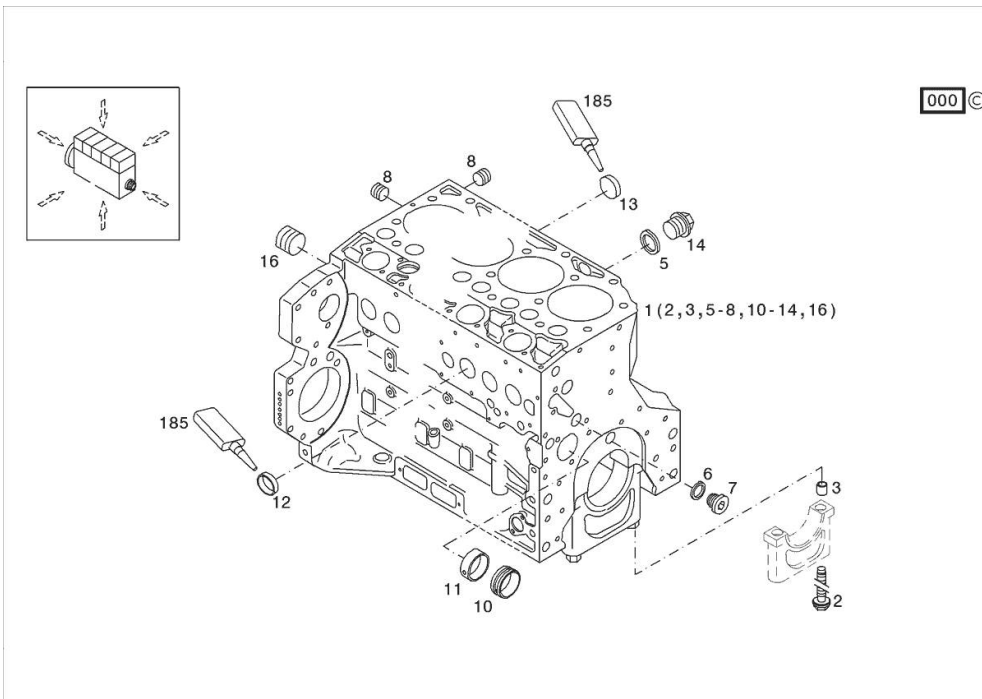
001 ©

Section: B0 - ENGINE
KURBELGEHAEUSE

Fig.	P/n	QTY	Name
------	-----	-----	------

Notes:
 [XL 130 DCR -> 20001]

185	01319910	1	guard
1	04296586	1	crankcase kpl. MIT POS.... WITH ITEM.... (2,3,5-8,10-14,16)
2	04254240	14	screw 50 Nm , 90° , 90°
3	04160764	14	bushing
5	01118693	2	gasket 14x20 DIN 7603 -A14X20-CU
6	01101342	1	oil seal DIN 7603 -D22X27-CU
7	04292706	1	plug 80 Nm
8	01182031	2	screw 35 Nm H 2812 -906-M14X1,5-ST-A3C-LOCTITE506
10	04251884	6	plug
11	04250086	1	ring
12	01148032	9	cover DIN 443 -A45-ZNPHR
13	01148031	6	plug DIN 443 -A36-ZNPHR
14	01100940	2	screw 35 Nm DIN 7604 -AM14X1,5-ST-A4C
16	04226536	1	bottom 30 Nm



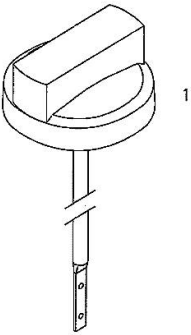
FILLER CAP

Fig.	P/n	QTY	Name
------	-----	-----	------

Notes:
 [XL 130 DCR -> 20001]

1	01180341	1	plug H 2875 -B2-OL40-166X4X145X15
---	----------	---	--------------------------------------

000

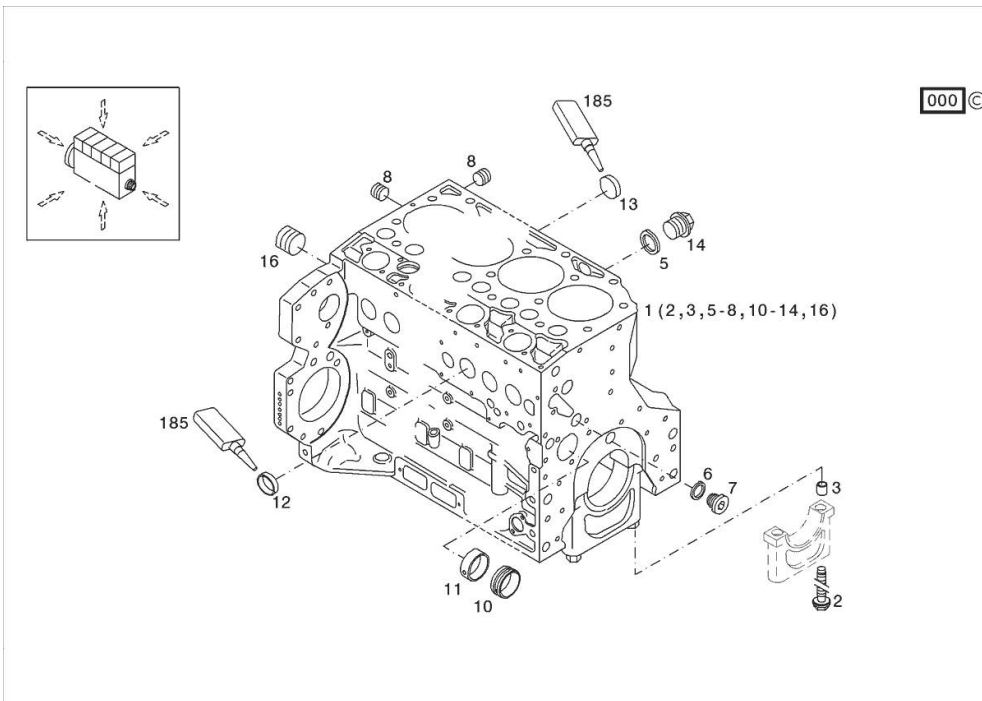


Section: B0 - ENGINE
KURBELGEHAEUSE

Fig.	P/n	QTY	Name
------	-----	-----	------

Notes:
 [XL 130 DCR -> 20001]

185	01319910	1	guard
1	04506856	1	crankcase MIT POS.... (2,3,5-8,10-14,16)
2	04254240	14	screw 50 Nm , 90° , 90°
3	04160764	14	bushing
5	01118693	2	gasket 14x20 DIN 7603 -A14X20-CU
6	01101342	1	oil seal DIN 7603 -D22X27-CU
7	04292706	1	plug 80 Nm
8	01182031	2	screw 35 Nm H 2812 -906-M14X1,5-ST-A3C-LOCTITE506
10	04251884	6	plug
11	04250086	1	ring
12	01148032	9	cover DIN 443 -A45-ZNPHR
13	01148031	6	plug DIN 443 -A36-ZNPHR
14	01100940	2	screw 35 Nm DIN 7604 -AM14X1,5-ST-A4C
16	04226536	1	bottom 30 Nm



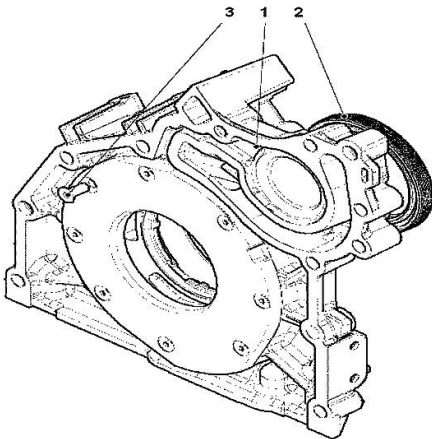
FLANGE

Fig.	P/n	QTY	Name
------	-----	-----	------

Notes:

[XL 130 DCR -> 20001]

1	04502445	1	oil pump WITH POS.... (2,3)
2	04502202	1	special oil seal
3	01133718	8	screw 8.5 Nm DIN 7991 -M6X16-8.8-A4C



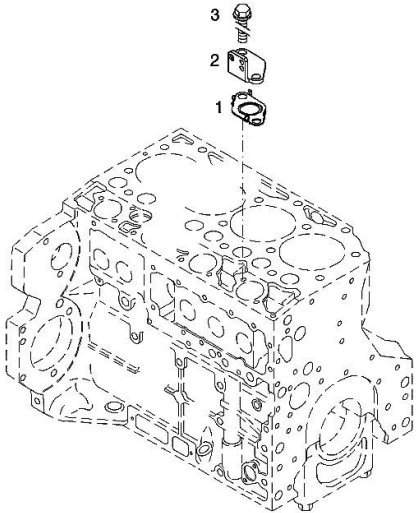
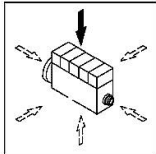
000

CLOSING COMPONENTS

Fig.	P/n	QTY	Name
------	-----	-----	------

Notes:
 [XL 130 DCR -> 20001]

1	04292757	1	gasket
2	04292113	1	bracket
3	01181436	2	screw EN 1662 -F-M8X16-LG2,5-10.9-ZNAL-A



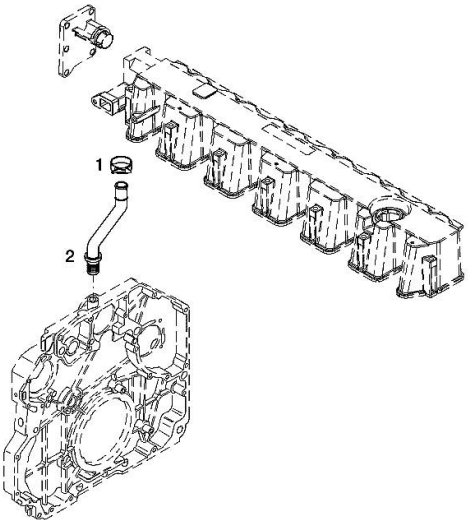
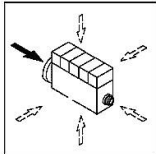
000 ©

OIL RETURN

Fig.	P/n	QTY	Name
------	-----	-----	------

Notes:
[XL 130 DCR -> 20001]

1	01148669	1	ring DIN 3021 -A-14X12
2	04289223	1	pipe fitting



001 ©

Thank you so much for reading.
Please click the “Buy Now!”
button below to download the
complete manual.



After you pay.

You can download the most
perfect and complete manual in
the world immediately.

Our support email:

ebooklibonline@outlook.com