

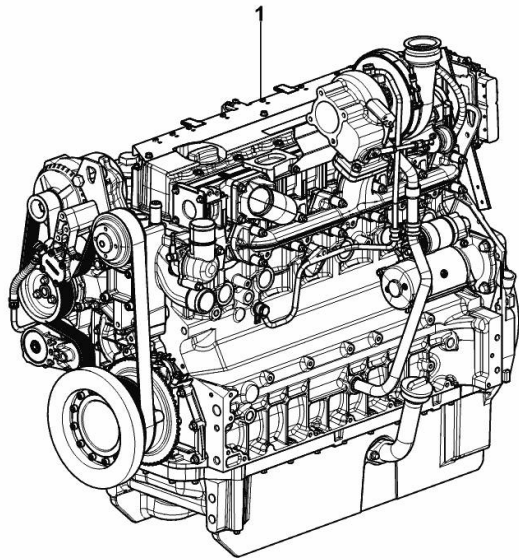
**ENGINE**

Fig.	P/n	QTY	Name
------	-----	-----	------

**Notes:**

[XL 140 HI-LEVEL DCR]

1	25007592	1	engine ON ORDERING PLEASE ENGINE NO. REQUIRED
---	----------	---	---



K9\_O5019\_01\_0-A-001

Section: B0 - ENGINE

**FASTENINGS**

Fig.	P/n	QTY	Name
------	-----	-----	------

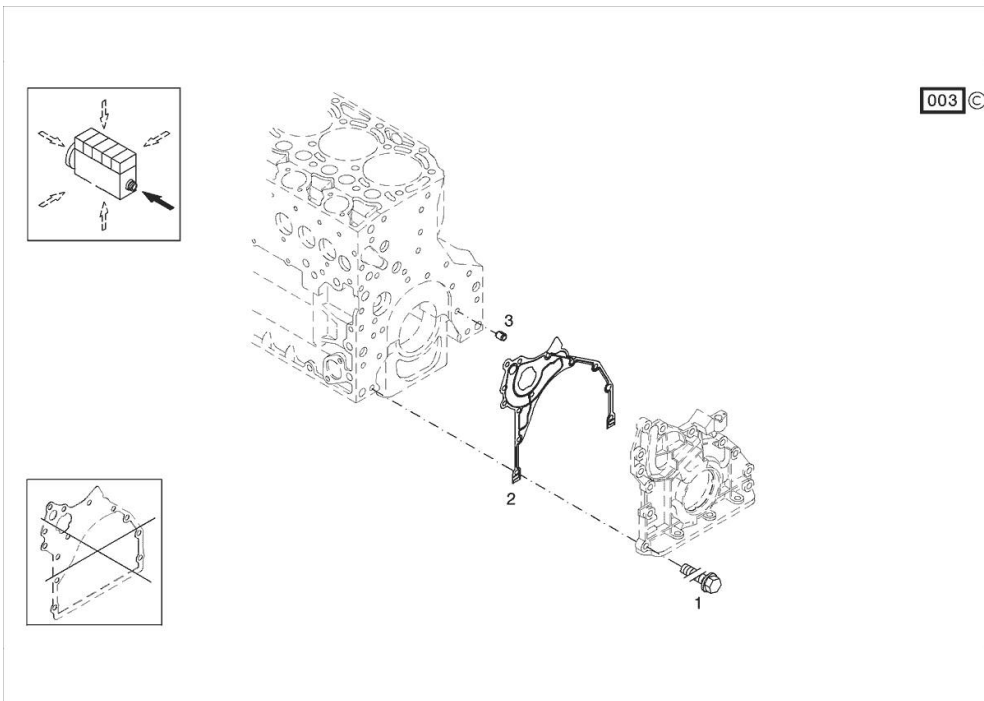
**Notes:**

[XL 140 HI-LEVEL DCR]

**Engine serial number:**

10737013 10760844

1	01183645	12	screw EN 1662 -F-M8X35-10.9-ZNAL-A
2	04504325	1	gasket
3	01181406	1	bushing H 2341 -B11X8-FE/ZN12C*



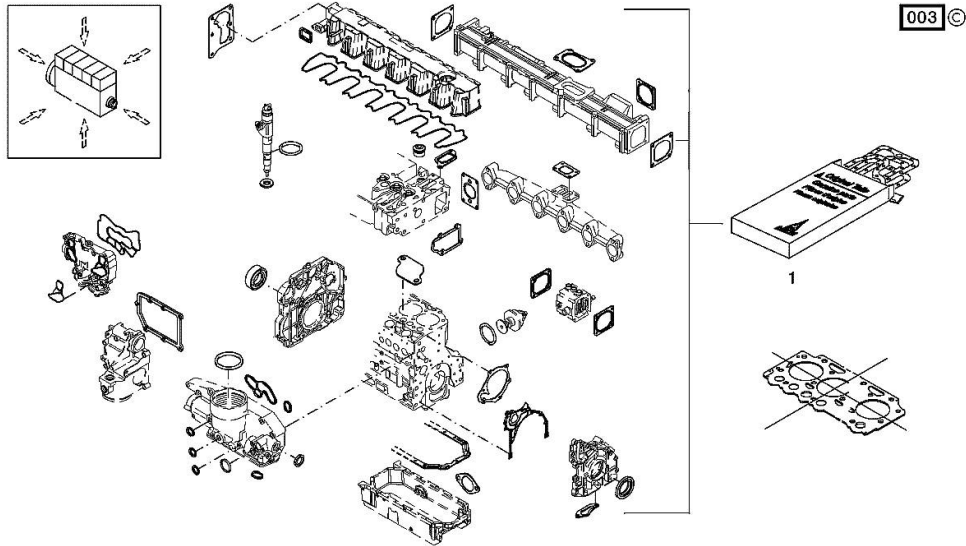
Section: B0 - ENGINE  
**SERIE GUARNIZIONI**

Fig.	P/n	QTY	Name
------	-----	-----	------

Notes:  
 [XL 140 HI-LEVEL DCR]

Engine serial number:  
 10737013 10760844

1	02937588	1	gasket set THE KIT DOES NOT CONTAIN ALL THE GASKETS: SEE SM 0199-99-9449
---	----------	---	--



Section: B0 - ENGINE

**BLEEDING TUBE**

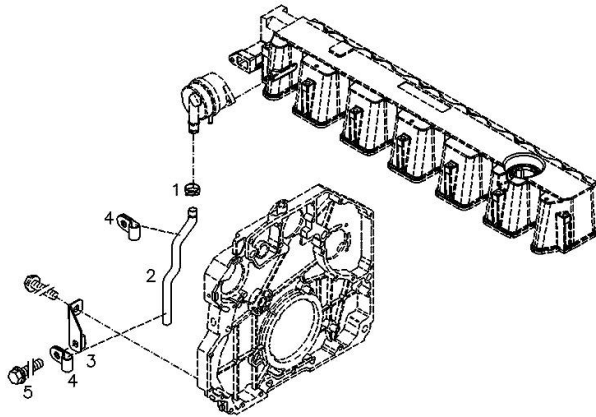
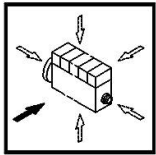
Fig.	P/n	QTY	Name
------	-----	-----	------

**Notes:**

[XL 140 HI-LEVEL DCR]

1	01178750	1	clamp DIN 3021 -A-29X15
2	04290751	1	tube
3	04291288	1	bracket
4	01173523	2	fascia DIN 3016 -1-A1-25X20-W1-2
5	01181433	2	screw EN 1662 -F-M8X20-LG2,5-10.9-ZNAL-A

000 ©



Section: B0 - ENGINE

**BLEEDING TUBE**

Fig.	P/n	QTY	Name
------	-----	-----	------

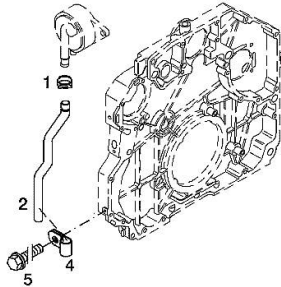
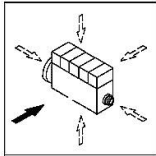
**Notes:**

[XL 140 HI-LEVEL DCR]

**Engine serial number:**

10737013 10760844

1	01178750	1	clamp DIN 3021 -A-29X15
2	04290751	1	tube
4	01173523	1	fascia DIN 3016 -1-A1-25X20-W1-2
5	01181433	1	screw EN 1662 -F-M8X20-LG2,5-10.9-ZNAL-A



Section: B0 - ENGINE

**ACCESSORIES**

Fig.	P/n	QTY	Name
------	-----	-----	------

**Notes:**

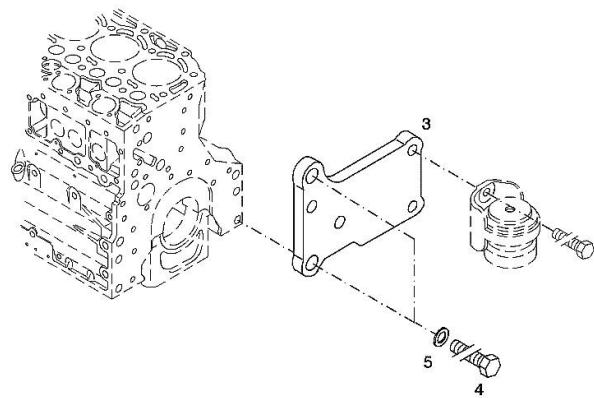
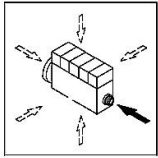
[XL 140 HI-LEVEL DCR]

**Engine serial number:**

10737013 10760844

3	04288659	1	support
4	01148261	2	screw ISO 4017 -M16X40-10.9-ZNAL-A
5	01181400	2	washer H 2308 -18X25X1,5-A4C

006 ©



**ACCESSORIES**

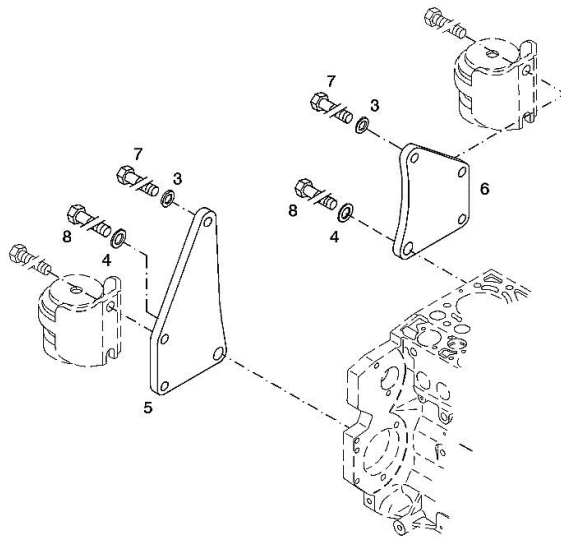
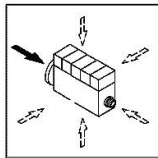
Fig.	P/n	QTY	Name
------	-----	-----	------

**Notes:**  
[XL 140 HI-LEVEL DCR]

**Engine serial number:**  
10737013 10760844

3	01182016	2	disc H 2308 -13X24X3-ZNAL-A
4	01181400	2	washer H 2308 -18X25X1,5-A4C
5	04206926	1	plate dx/rh/re
6	04206927	1	plate sx/lh/li
7	01148137	2	screw - UP TO MONTH OF ASSEMBLY ( A ) - FROM MONTH OF ASSEMBLY SEE POS. ( B ) A = 06.2009 B = POS. 950 DIN 931 -M12X75-10.9-ZNAL-A
8	01148037	2	screw UP TO MONTH OF ASSEMBLY ( A ) - FROM MONTH OF ASSEMBLY SEE POS. ( B ) A = 06.2009 B = POS. 951 ISO 4014 -M16X75-10.9-OELGESCHW
950	01149017	2	screw - FROM MONTH OF ASSEMBLY SEE POS. ( B ) - UP TO MONTH OF ASSEMBLY (A) FROM MONTH OF ASSEMBLY A = 07.2009 B = 7
951	01180235	2	screw - FROM MONTH OF ASSEMBLY SEE POS. ( B ) - UP TO MONTH OF ASSEMBLY ( A ) FROM MONTH OF ASSEMBLY A = 07.2009 B= Pos.8 DIN 34800 -BM12X75-10.9-ZNAL-A H 2032 -HBM16X75-10.9-GESCHW

003 ©



Section: B0 - ENGINE  
**CRANKCASE BREATHER**

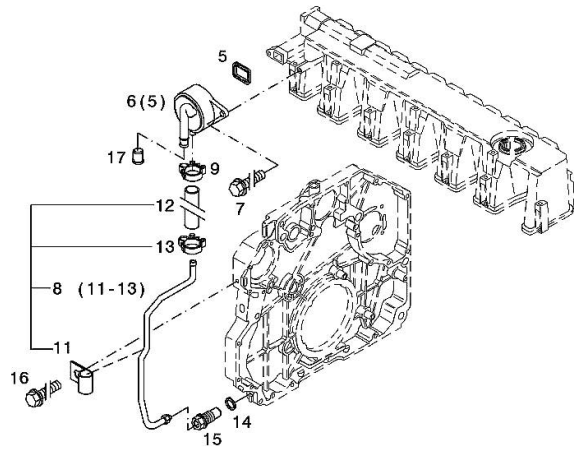
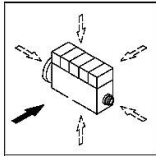
Fig.	P/n	QTY	Name
------	-----	-----	------

**Notes:**  
 [XL 140 HI-LEVEL DCR]

**Engine serial number:**  
 10737013 10760844

002 ©

5	04298547	1	rubber plug
6	04905110	1	breather WITH POS.... (5)
7	01181432	2	screw m8x30 EN 1662 -F-M8X30-10.9-ZNAL-A
8	04504876	1	tube WITH POS.... 11-13
9	01182878	1	fascia H 3461 -F-13,0/8
11	02144961	1	fascia
12	04288507	1	rubber tube H 3407 -F8X14X57-EAM/ARAMID/EAM
13	01182878	1	fascia H 3461 -F-13,0/8
14	01118737	1	oil seal 22 x 27 DIN 7603 -A22X27-CU
15	04505853	1	pipe union
16	01181442	1	screw m6x12 EN 1662 -F-M6X12-10.9-ZNAL-A
17	01161302	1	bottom H 2873 -A25,5X22,8X17-PEWEICH





Section: B0 - ENGINE  
**OIL FILLER NECK**

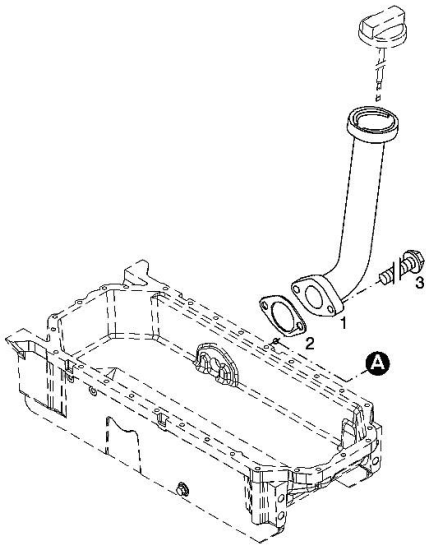
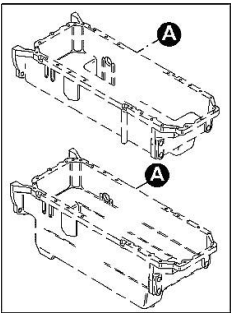
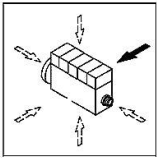
Fig.	P/n	QTY	Name
------	-----	-----	------

Notes:  
 [XL 140 HI-LEVEL DCR]

Engine serial number:  
 10737013 10760844

1	04207099	1	tube
2	01178421	1	gasket
3	01181433	2	screw
			30 Nm

001 ©



**ACCESSORIES**

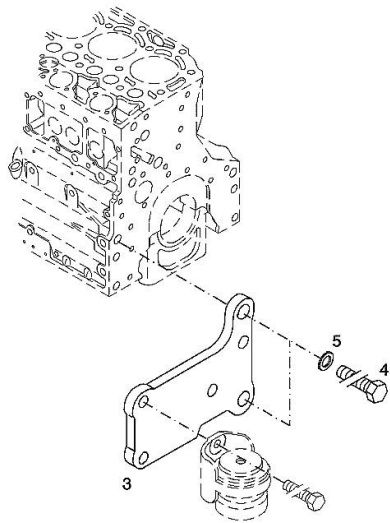
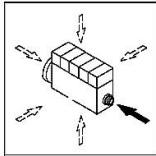
Fig.	P/n	QTY	Name
------	-----	-----	------

**Notes:**  
[XL 140 HI-LEVEL DCR]

**Engine serial number:**  
10737013 10760844

3	04288660	1	support
4	01148261	2	screw ISO 4017 -M16X40-10.9-ZNAL-A
5	01181400	2	washer H 2308 -18X25X1,5-A4C

003 ©



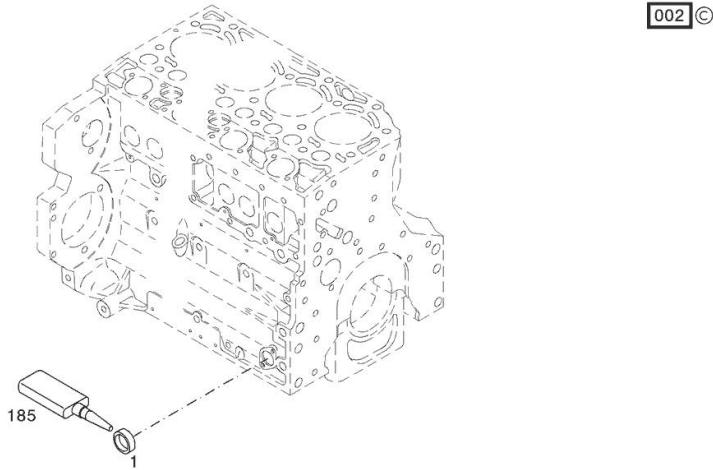
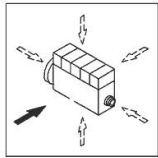
**PLUG**

Fig.	P/n	QTY	Name
------	-----	-----	------

**Notes:**

[XL 140 HI-LEVEL DCR]

1	01148031	1	plug DIN 443 -A36-ZNPHR
185	01319911	1	sealing compound ml. 50



Section: B0 - ENGINE

**PISTON COOL.NOZZLE**

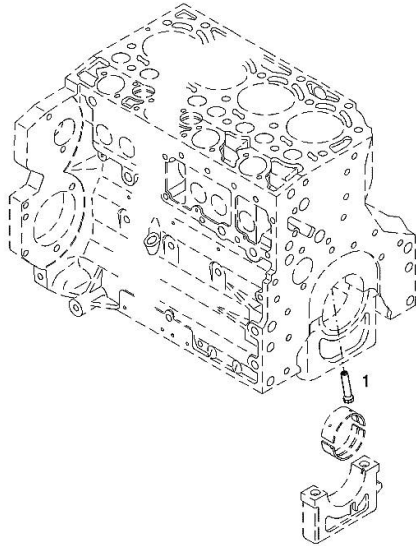
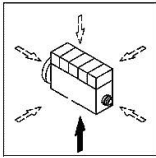
Fig.	P/n	QTY	Name
------	-----	-----	------

**Notes:**  
[XL 140 HI-LEVEL DCR]

**Engine serial number:**  
10737013 10760844

1	04207521	1	sprayers
---	----------	---	----------

001 ©

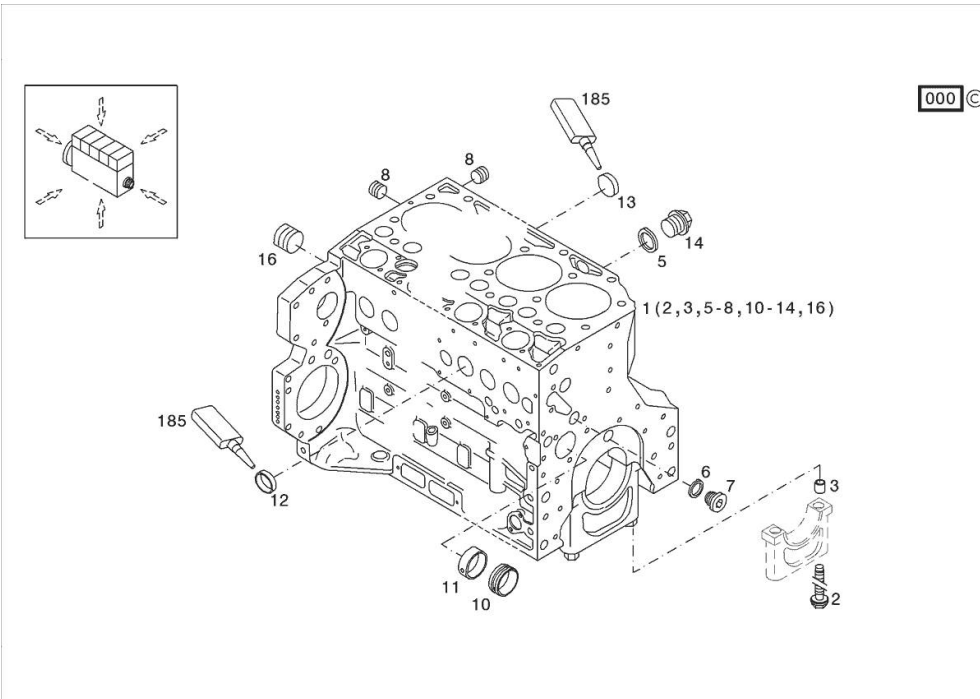


Section: B0 - ENGINE  
**KURBELGEHAEUSE**

Fig.	P/n	QTY	Name
------	-----	-----	------

Notes:  
 [XL 140 HI-LEVEL DCR]

Engine serial number:  
 10737013 10760844



185	01319910	1	guard
1	04296586	1	crankcase kpl. MIT POS.... WITH ITEM.... (2,3,5-8,10-14,16)
2	04254240	14	screw 50 Nm , 90° , 90°
3	04160764	14	bushing
5	01118693	2	gasket 14x20 DIN 7603 -A14X20-CU
6	01101342	1	oil seal DIN 7603 -D22X27-CU
7	04292706	1	plug 80 Nm
8	01182031	2	screw 35 Nm H 2812 -906-M14X1,5-ST-A3C-LOCTITE506
10	04251884	6	plug
11	04250086	1	ring
12	01148032	9	cover DIN 443 -A45-ZNPHR
13	01148031	6	plug DIN 443 -A36-ZNPHR
14	01100940	2	screw 35 Nm DIN 7604 -AM14X1,5-ST-A4C
16	04226536	1	bottom 30 Nm

**FILLER CAP**

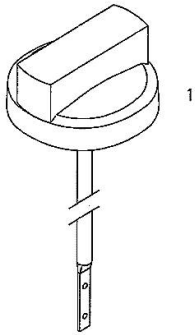
Fig.	P/n	QTY	Name
------	-----	-----	------

**Notes:**  
[XL 140 HI-LEVEL DCR]

**Engine serial number:**  
10737013 10760844

1	01180341	1	plug H 2875 -B2-OL40-166X4X145X15
---	----------	---	--------------------------------------

000

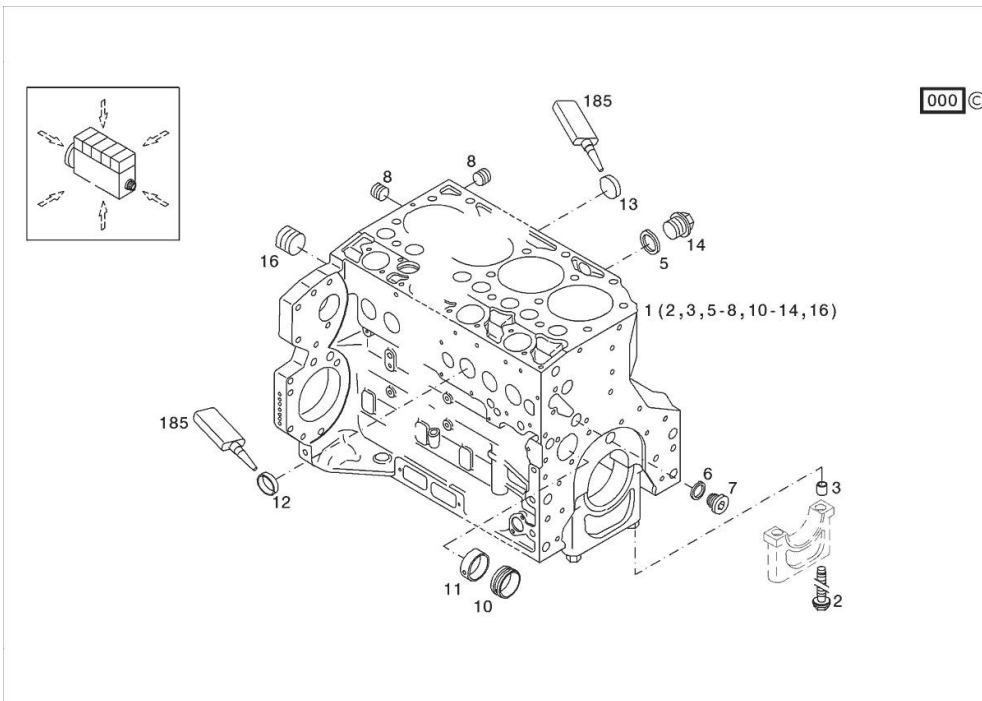


Section: B0 - ENGINE  
**KURBELGEHAEUSE**

Fig.	P/n	QTY	Name
------	-----	-----	------

Notes:  
 [XL 140 HI-LEVEL DCR]

185	01319910	1	guard
1	04506856	1	crankcase MIT POS.... (2,3,5-8,10-14,16)
2	04254240	14	screw 50 Nm , 90° , 90°
3	04160764	14	bushing
5	01118693	2	gasket 14x20 DIN 7603 -A14X20-CU
6	01101342	1	oil seal DIN 7603 -D22X27-CU
7	04292706	1	plug 80 Nm
8	01182031	2	screw 35 Nm H 2812 -906-M14X1,5-ST-A3C-LOCTITE506
10	04251884	6	plug
11	04250086	1	ring
12	01148032	9	cover DIN 443 -A45-ZNPHR
13	01148031	6	plug DIN 443 -A36-ZNPHR
14	01100940	2	screw 35 Nm DIN 7604 -AM14X1,5-ST-A4C
16	04226536	1	bottom 30 Nm



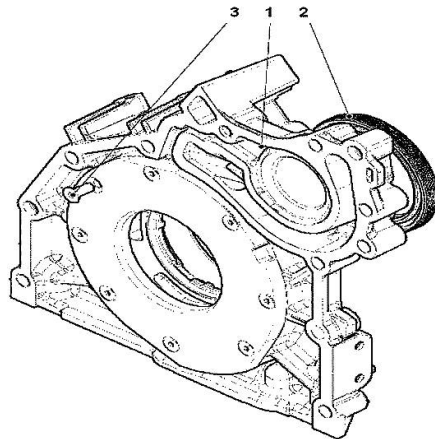
**FLANGE**

Fig.	P/n	QTY	Name
------	-----	-----	------

**Notes:**

[XL 140 HI-LEVEL DCR]

1	04502445	1	oil pump WITH POS.... (2,3)
2	04502202	1	special oil seal
3	01133718	8	screw 8.5 Nm DIN 7991 -M6X16-8.8-A4C



000



Thank you so much for reading.  
Please click the “Buy Now!”  
button below to download the  
complete manual.



After you pay.

You can download the most  
perfect and complete manual in  
the world immediately.

Our support email:

[ebooklibonline@outlook.com](mailto:ebooklibonline@outlook.com)