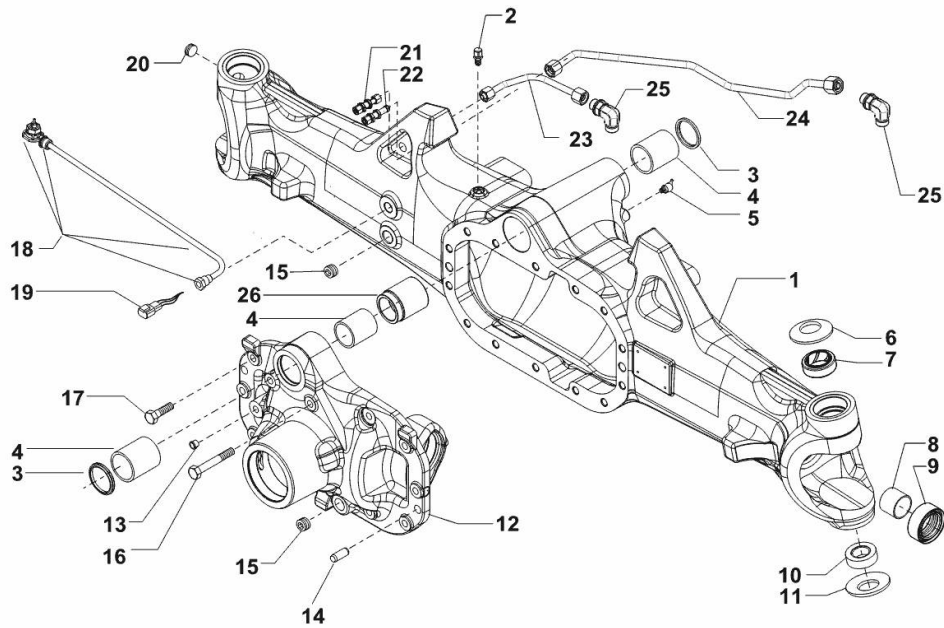


DRIVEN FRONT AXLE - 380999

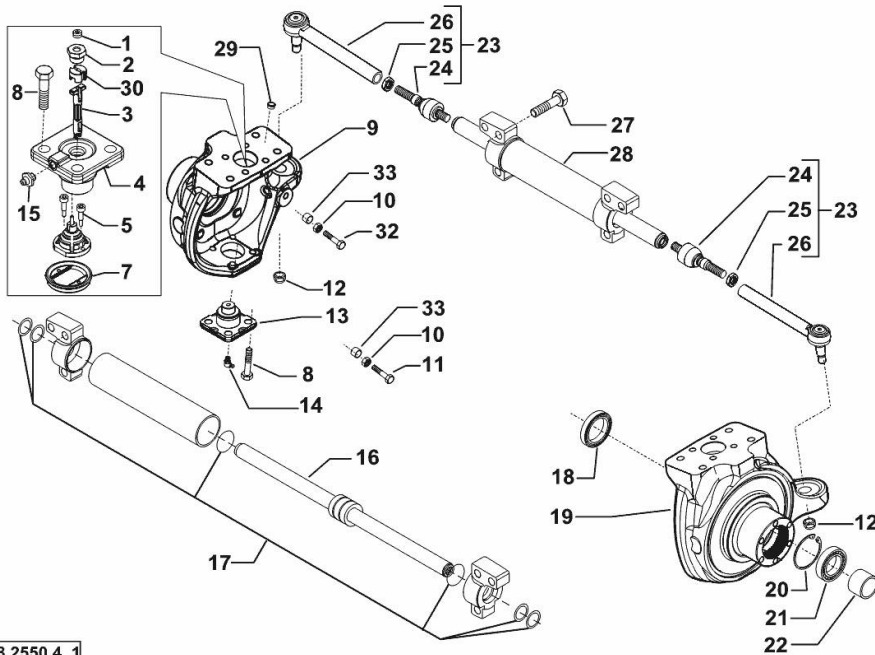


0.018.2550.4_0

Fig.	P/n	QTY	Name
1	0.900.1416.2	1	front axle
2	0.900.0079.8	1	breather m 10 p.1
3	0.900.0079.9	2	circlip
4	0.900.0080.0	3	bushing
5	0.900.0080.1	1	grease gun m 8 p.1, 45°
6	0.900.0080.2	2	spring
7	0.900.0080.3	2	bushing
8	0.900.0080.4	2	bushing
9	0.900.0912.6	2	oil seal 40x65x27,5
10	0.900.1416.3	2	bearing
11	0.900.0080.7	2	spring
12	0.900.1536.6	1	flange
13	0.900.0893.4	1	plug D1
14	0.900.0081.0	2	pin Ø 15x45
15	0.900.0081.1	2	plug m 24 p.1.5
16	0.900.0081.2	2	screw m 14x75
17	0.900.0081.3	12	screw m14 x 40
18	0.900.0504.8	1	sensor - KIT
19	0.900.0081.5	1	connector
20	0.900.0081.6	1	plug m 26 p.1.5
21	0.900.0081.7	1	pipe fitting
22	0.900.0081.8	1	pipe fitting
23	04454985	1	tube
24	04454984	1	tube
25	0.900.0082.1	2	pipe fitting
26	0.900.0082.2	1	bushing

STEERING CYLINDER - 380999

Fig.	P/n	QTY	Name
1	0.900.0894.3	2	plug
2	0.900.0082.4	2	screw m 20 p.1.5
3	0.900.0965.7	1	small pin
4	0.900.0502.5	2	pin
5	0.900.0082.7	2	screw m 4 x 10
7	0.900.0865.2	1	cover
8	0.900.0082.9	16	screw m 14 x 35
9	0.900.1416.4	1	fork sx/lh/li
10	0.900.0105.8	4	nut m 14
11	0.900.1536.7	2	screw
12	0.900.0083.3	2	nut m 20 p.1
13	0.900.0083.4	2	pin
14	0.900.0083.5	2	grease gun m 6 p.1, 45°
15	0.900.0542.4	1	grease gun m 6 p.1
16	0.900.0083.7	1	stem
17	0.900.0083.8	1	gasket set
18	0.900.0083.9	2	oil seal 56x80x13/14,5
19	0.900.0084.0	1	cap dx/rh/re
20	0.900.0084.1	2	circlip
21	0.900.0084.2	2	bearing
22	0.900.0084.3	2	spacer
23	0.900.1416.5	2	rod
24	0.900.0647.3	2	joint
25	0.900.0084.6	2	nut m 24x10
26	0.900.0644.8	2	rod
27	0.900.0791.2	6	screw m18x70
28	0.900.0527.5	2	jack
29	0.900.0085.0	8	plug
30	0.900.0961.2	1	small block
31	0.900.0112.6	1	breather m10 p.1
32	0.900.0948.6	2	screw m 14
33	0.900.0948.7	4	bush



0.018.2550.4_1

BEVEL WHEEL GEAR - 380999

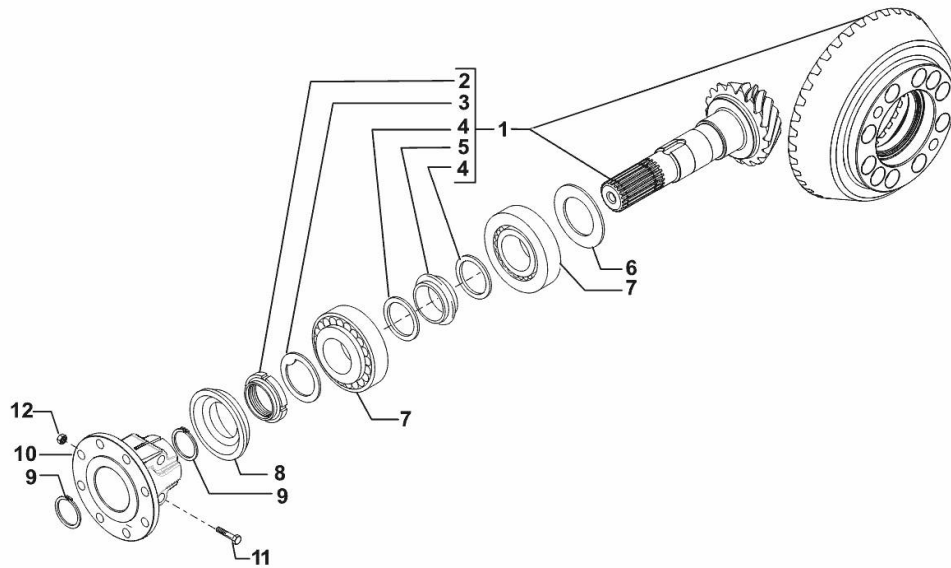


Fig.	P/n	QTY	Name
1	0.900.0085.4	1	bevel drive Z = 14/37
2	0.900.0085.5	1	ring nut m 40 p.1.5
3	0.900.0085.6	1	washer
4	0.900.0085.7	2	washer
5	0.900.0085.8	1	spacer
6	0.900.0085.9		shim mm 2.50
6	0.900.0086.0		shim mm 2.60
6	0.900.0086.1		shim mm 2.70
6	0.900.0086.2		shim mm 2.80
6	0.900.0086.3		shim mm 2.90
6	0.900.0086.4		shim mm 3.00
6	0.900.0086.5		shim mm 3.10
6	0.900.0086.6		shim mm 3.20
6	0.900.0086.7		shim mm 3.30
6	0.900.0086.8		shim mm 3.40
7	0.900.0086.9	2	bearing
8	0.900.0087.0	1	oil seal 35x92/98x13/27
9	0.900.0087.1	2	circlip d = 35
10	0.900.0965.8	1	flange
11	0.900.0960.9	2	screw
12	0.900.0961.0	2	nut

0.018.2550.4_2

Section: F0 - FRONT AXLE
DIFFERENTIAL - 380999

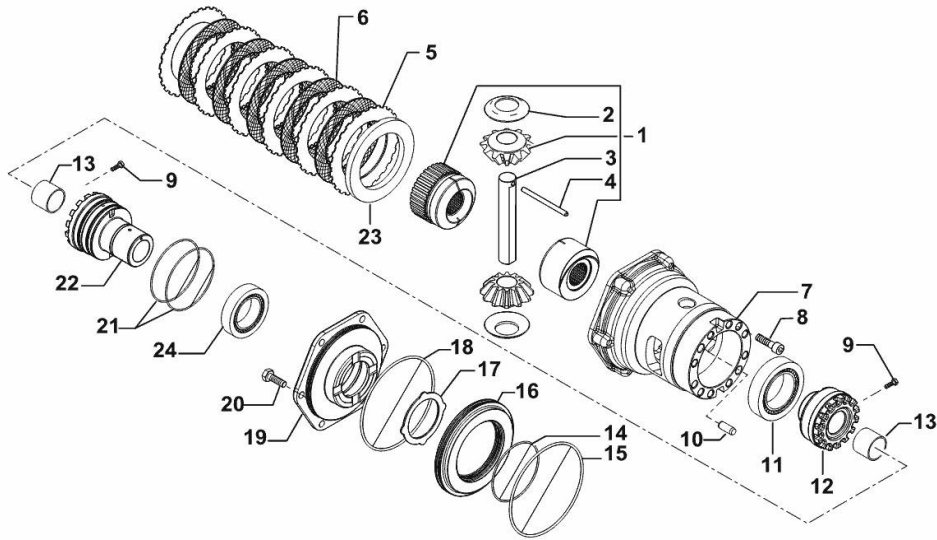
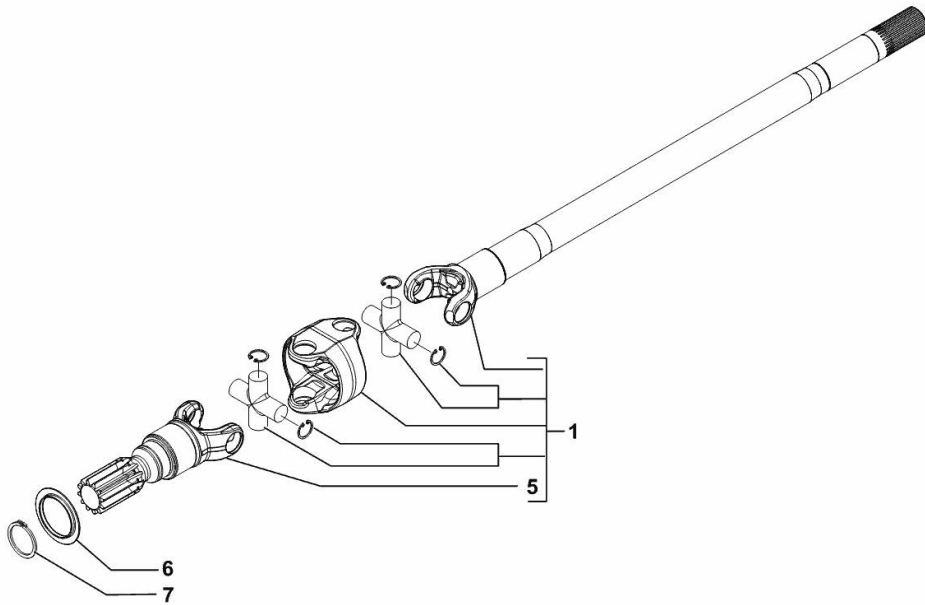


Fig.	P/n	QTY	Name
1	0.900.0966.2	1	differential lock - KIT
2	0.900.0087.4	2	slewing ring
3	0.900.0087.5	1	pin
4	0.900.0087.6	1	pin D7x91
5	0.900.0087.7	6	disc
6	0.900.0087.8	5	disc
7	0.900.0087.9	1	differential carrier
8	0.900.0088.0	10	screw m 12 x 35
9	0.900.0088.1	2	screw m 6 x 25
10	0.900.0088.3	2	pin Ø 12 x 28
11	0.900.0088.4	2	bearing
12	0.900.0088.5	1	ring nut M94x1.5
12	0.900.0088.6	2	bushing
14	0.900.0088.7	1	oil seal
15	0.900.0088.8	1	oil seal
16	0.900.0088.9	1	piston
17	0.900.0089.0	1	disc
18	0.900.0089.1	1	oil seal
19	0.900.0952.0	1	cover - KIT
20	0.900.0089.3	6	screw m 10 x 35
21	0.900.0089.8	2	oil seal
22	0.900.0089.9	1	ring nut m 94 p.1.5
23	0.900.0090.0	1	disc
24	0.900.0090.1	1	bearing

0.018.2550.4_3

DOUBLE COUPLING - 380999

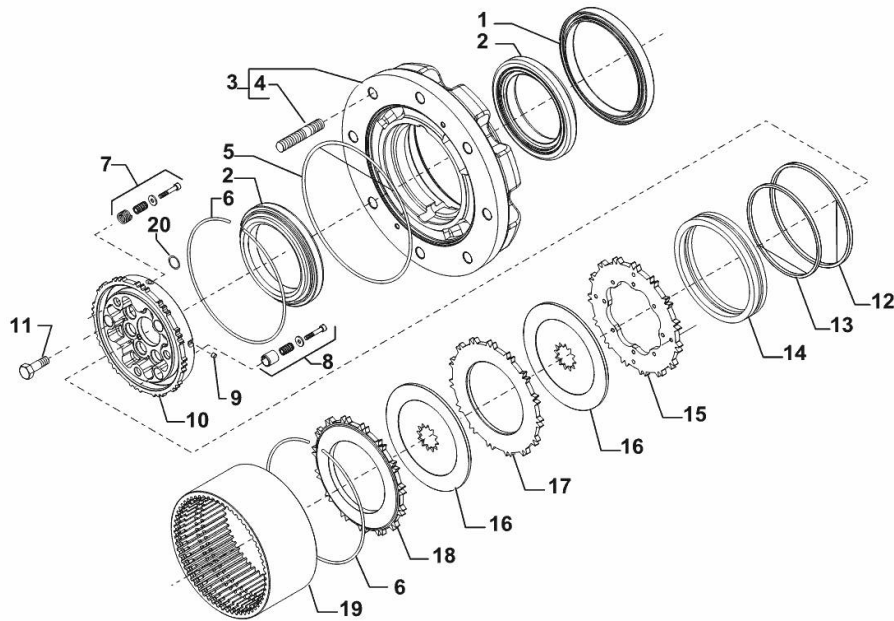
Fig.	P/n	QTY	Name
1	0.900.1416.8	1	joint sx/lh/li
1	0.900.1536.8	1	joint dx/rh/re
5	0.900.0090.8	2	fork
6	0.900.0090.9	2	cover
7	0.900.0091.0	2	circlip



0.018.2550.4_4

WHEEL HUB - WITH FRONT BRAKES - 380999

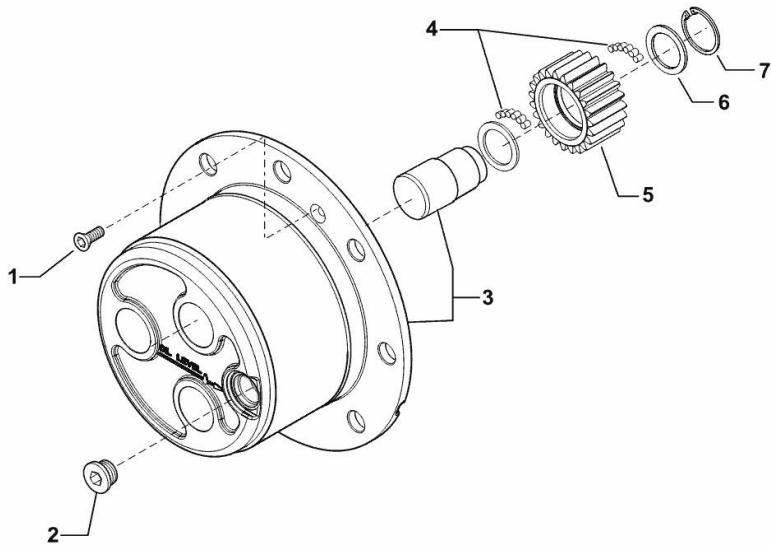
Fig.	P/n	QTY	Name
1	0.900.0091.1	2	oil seal 155x180x14,5
2	0.900.1360.6	4	bearing
3	0.900.1416.9	2	wheel hub
4	0.900.0091.4	16	stud bolt
5	0.900.1417.0	2	oil seal
6	0.900.0091.6	4	circlip
7	0.900.0116.9	2	screw - KIT
8	0.900.0116.8	2	screw - KIT
9	0.900.0117.0	4	rivet
10	0.900.1536.9	2	hub
11	0.900.0091.8	16	screw m 12 x 45
12	0.900.1417.2	2	oil seal
13	0.900.1417.3	2	oil seal
14	0.900.0116.4	2	piston
15	0.900.0116.3	2	brake disc
16	0.900.0116.1	4	brake disc
17	0.900.0116.2	2	brake disc
18	0.900.0116.0	2	clutch plate
19	0.900.1417.6	2	crown wheel Z = 60
20	0.900.0112.8	2	ring



0.018.2550.4_5

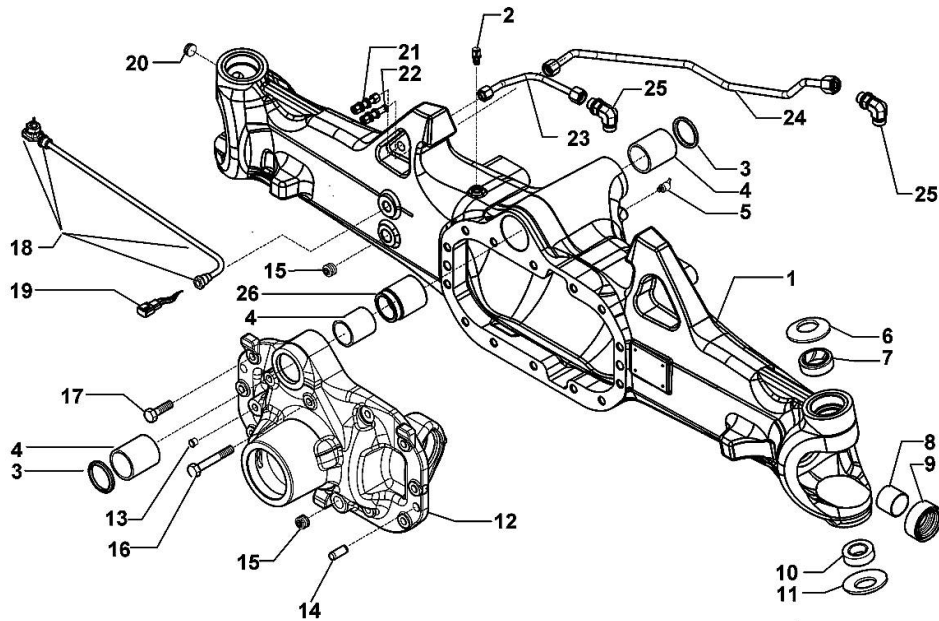
PLANETARY GEAR - 380999

Fig.	P/n	QTY	Name
1	0.900.0092.0	4	screw m 8 p.1.25 x 20
2	0.900.0092.1	2	plug m 30 p.2
3	0.900.1417.8	2	spider
4	0.900.0092.3	34	roller
5	0.900.0092.4	6	gear Z = 23
6	0.900.0092.5	6	slewing ring
7	0.900.0092.6	6	circlip



0.018.2550.4_6

DRIVEN FRONT AXLE - 380999

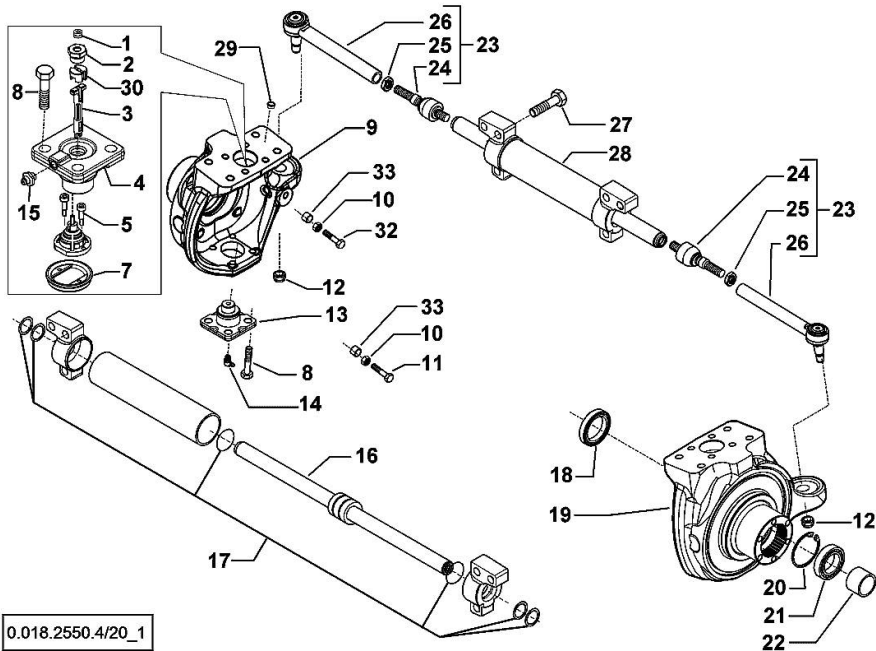


0.018.2550.4/20_0

Fig.	P/n	QTY	Name
1	0.900.1416.2	1	front axle
2	0.900.0079.8	1	breather m 10 p.1
3	0.900.0079.9	2	circlip
4	0.900.0080.0	3	bushing
5	0.900.0080.1	1	grease gun m 8 p.1, 45°
6	0.900.0080.2	2	spring
7	0.900.0080.3	2	bushing
8	0.900.0080.4	2	bushing
9	0.900.0912.6	2	oil seal 40x65x27,5
10	0.900.1416.3	2	bearing
11	0.900.0080.7	2	spring
12	0.900.1536.6	1	flange
13	0.900.0893.4	1	plug D1
14	0.900.0081.0	2	pin Ø 15x45
15	0.900.0081.1	2	plug m 24 p.1.5
16	0.900.0081.2	2	screw m 14x75
17	0.900.0081.3	12	screw m14 x 40
18	0.900.0504.8	1	sensor - KIT
19	0.900.0081.5	1	connector
20	0.900.0081.6	1	plug m 26 p.1.5
21	0.900.0081.7	1	pipe fitting
22	0.900.0081.8	1	pipe fitting
23	04454985	1	tube
24	04454984	1	tube
25	0.900.0082.1	2	pipe fitting
26	0.900.0082.2	1	bushing

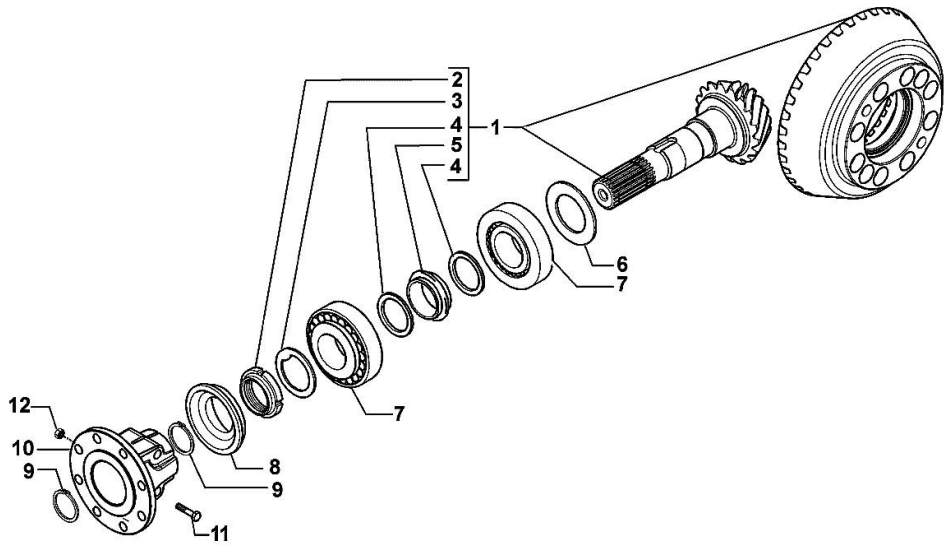
STEERING CYLINDER - 380999

Fig.	P/n	QTY	Name
1	0.900.0894.3	2	plug
2	0.900.0082.4	2	screw m 20 p.1.5
3	0.900.0965.7	1	small pin
4	0.900.0502.5	2	pin
5	0.900.0082.7	2	screw m 4 x 10
7	0.900.0865.2	1	cover
8	0.900.0082.9	16	screw m 14 x 35
9	0.900.1416.4	1	fork sx/lh/li
10	0.900.0105.8	4	nut m 14
11	0.900.1536.7	2	screw
12	0.900.0083.3	2	nut m 20 p.1
13	0.900.0083.4	2	pin
14	0.900.0083.5	2	grease gun m 6 p.1, 45°
15	0.900.0542.4	1	grease gun m 6 p.1
16	0.900.1575.6	1	stem
17	0.900.1575.7	1	gasket set
18	0.900.0083.9	2	oil seal 56x80x13/14,5
19	0.900.0084.0	1	cap dx/rh/re
20	0.900.0084.1	2	circlip
21	0.900.0084.2	2	bearing
22	0.900.0084.3	2	spacer
23	0.900.1416.5	2	rod
24	0.900.0647.3	2	joint
25	0.900.0084.6	2	nut m 24x10
26	0.900.0644.8	2	rod
27	0.900.0791.2	6	screw m18x70
28	0.900.1575.8	1	jack
29	0.900.0085.0	8	plug
30	0.900.0961.2	1	small block
31	0.900.0112.6	1	breather m10 p.1
32	0.900.0948.6	2	screw m 14
33	0.900.0948.7	4	bush



BEVEL WHEEL GEAR - 380999

Fig.	P/n	QTY	Name
1	0.900.0085.4	1	bevel drive Z = 14/37
2	0.900.0085.5	1	ring nut m 40 p.1.5
3	0.900.0085.6	1	washer
4	0.900.0085.7	2	washer
5	0.900.0085.8	1	spacer
6	0.900.0085.9		shim mm 2.50
6	0.900.0086.0		shim mm 2.60
6	0.900.0086.1		shim mm 2.70
6	0.900.0086.2		shim mm 2.80
6	0.900.0086.3		shim mm 2.90
6	0.900.0086.4		shim mm 3.00
6	0.900.0086.5		shim mm 3.10
6	0.900.0086.6		shim mm 3.20
6	0.900.0086.7		shim mm 3.30
6	0.900.0086.8		shim mm 3.40
7	0.900.0086.9	2	bearing
8	0.900.0087.0	1	oil seal 35x92/98x13/27
9	0.900.0087.1	2	circlip d = 35
10	0.900.0965.8	1	flange
11	0.900.0960.9	2	screw
12	0.900.0961.0	2	nut



0.018.2550.4/20_2

Section: F0 - FRONT AXLE
DIFFERENTIAL - 380999

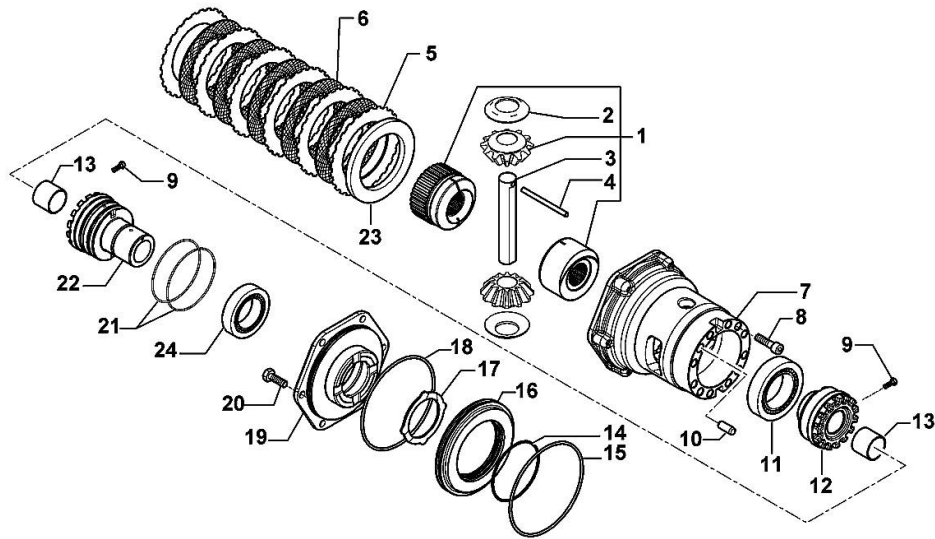
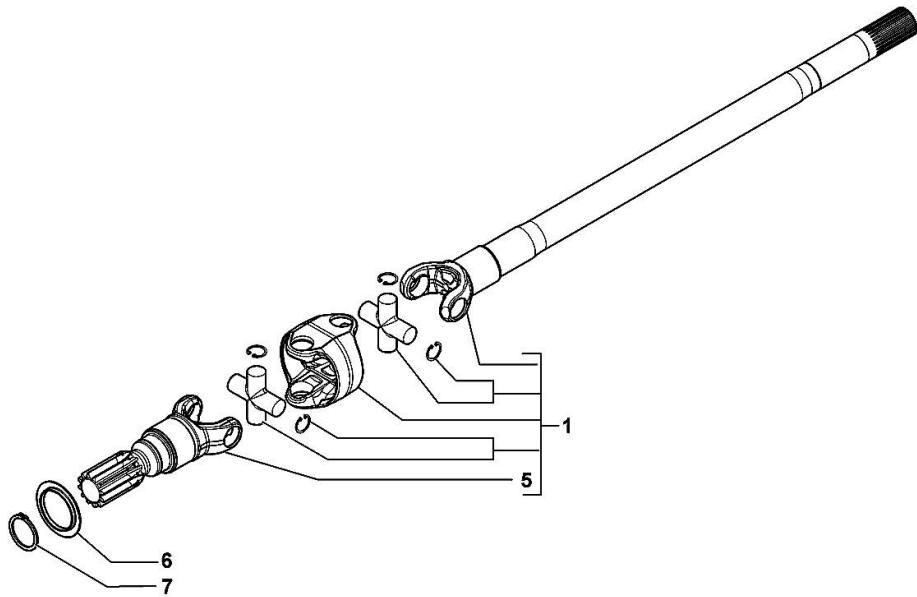


Fig.	P/n	QTY	Name
1	0.900.0966.2	1	differential lock - KIT
2	0.900.0087.4	2	slewing ring
3	0.900.0087.5	1	pin
4	0.900.0087.6	1	pin D7x91
5	0.900.0087.7	6	disc
6	0.900.0087.8	5	disc
7	0.900.0087.9	1	differential carrier
8	0.900.0088.0	10	screw m 12 x 35
9	0.900.0088.1	2	screw m 6 x 25
10	0.900.0088.3	2	pin Ø 12 x 28
11	0.900.0088.4	2	bearing
12	0.900.0088.5	1	ring nut M94x1.5
12	0.900.0088.6	2	bushing
14	0.900.0088.7	1	oil seal
15	0.900.0088.8	1	oil seal
16	0.900.0088.9	1	piston
17	0.900.0089.0	1	disc
18	0.900.0089.1	1	oil seal
19	0.900.0952.0	1	cover - KIT
20	0.900.0089.3	6	screw m 10 x 35
21	0.900.0089.8	2	oil seal
22	0.900.0089.9	1	ring nut m 94 p.1.5
23	0.900.0090.0	1	disc
24	0.900.0090.1	1	bearing

0.018.2550.4/20_3

DOUBLE COUPLING - 380999

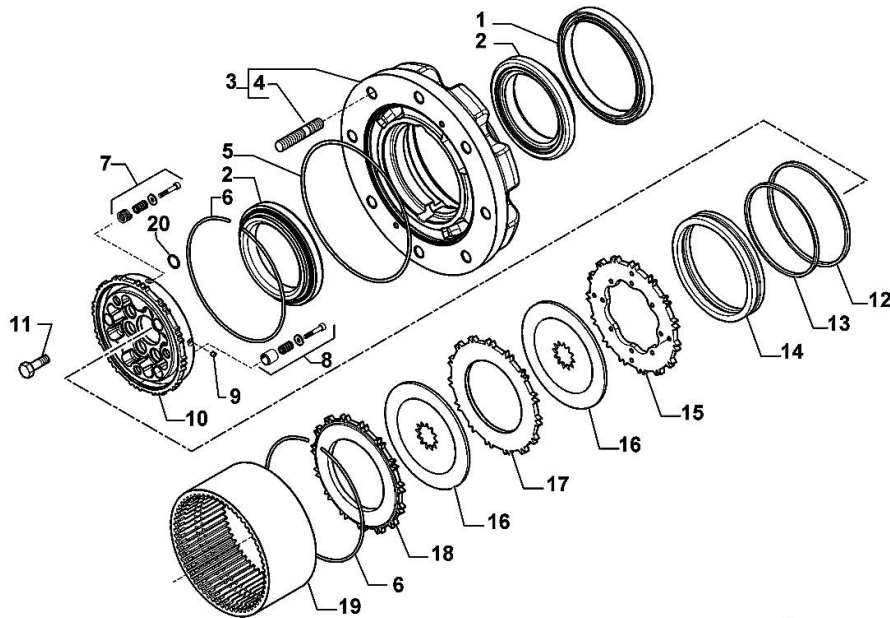
Fig.	P/n	QTY	Name
1	0.900.1416.8	1	joint sx/lh/li
1	0.900.1536.8	1	joint dx/rh/re
5	0.900.0090.8	2	fork
6	0.900.0090.9	2	cover
7	0.900.0091.0	2	circlip



0.018.2550.4_10_4

WHEEL HUB - WITH FRONT BRAKES - 380999

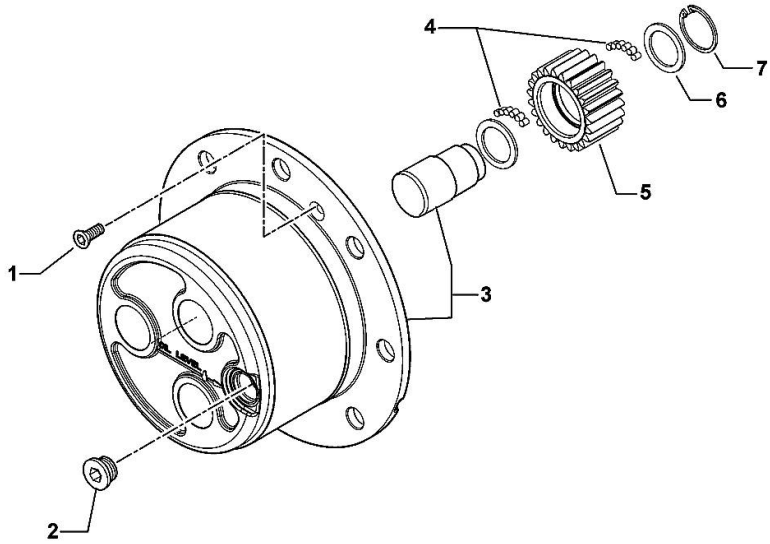
Fig.	P/n	QTY	Name
1	0.900.0091.1	2	oil seal 155x180x14,5
2	0.900.1360.6	4	bearing
3	0.900.1416.9	2	wheel hub
4	0.900.0091.4	16	stud bolt
5	0.900.1417.0	2	oil seal
6	0.900.0091.6	4	circlip
7	0.900.0116.9	2	screw - KIT
8	0.900.0116.8	2	screw - KIT
9	0.900.0117.0	4	rivet
10	0.900.1536.9	2	hub
11	0.900.0091.8	16	screw m 12 x 45
12	0.900.1417.2	2	oil seal
13	0.900.1417.3	2	oil seal
14	0.900.0116.4	2	piston
15	0.900.0116.3	2	brake disc
16	0.900.0116.1	4	brake disc
17	0.900.0116.2	2	brake disc
18	0.900.0116.0	2	clutch plate
19	0.900.1417.6	2	crown wheel Z = 60
20	0.900.0112.8	2	ring



0.018.2550.4/20_5

PLANETARY GEAR - 380999

Fig.	P/n	QTY	Name
1	0.900.0092.0	4	screw m 8 p.1.25 x 20
2	0.900.0092.1	2	plug m 30 p.2
3	0.900.1417.8	2	spider
4	0.900.0092.3	34	roller
5	0.900.0092.4	6	gear Z = 23
6	0.900.0092.5	6	slewing ring
7	0.900.0092.6	6	circlip



0.018.2550.4/20_6

Thank you so much for reading.
Please click the “Buy Now!”
button below to download the
complete manual.



After you pay.

You can download the most
perfect and complete manual in
the world immediately.

Our support email:

ebooklibonline@outlook.com