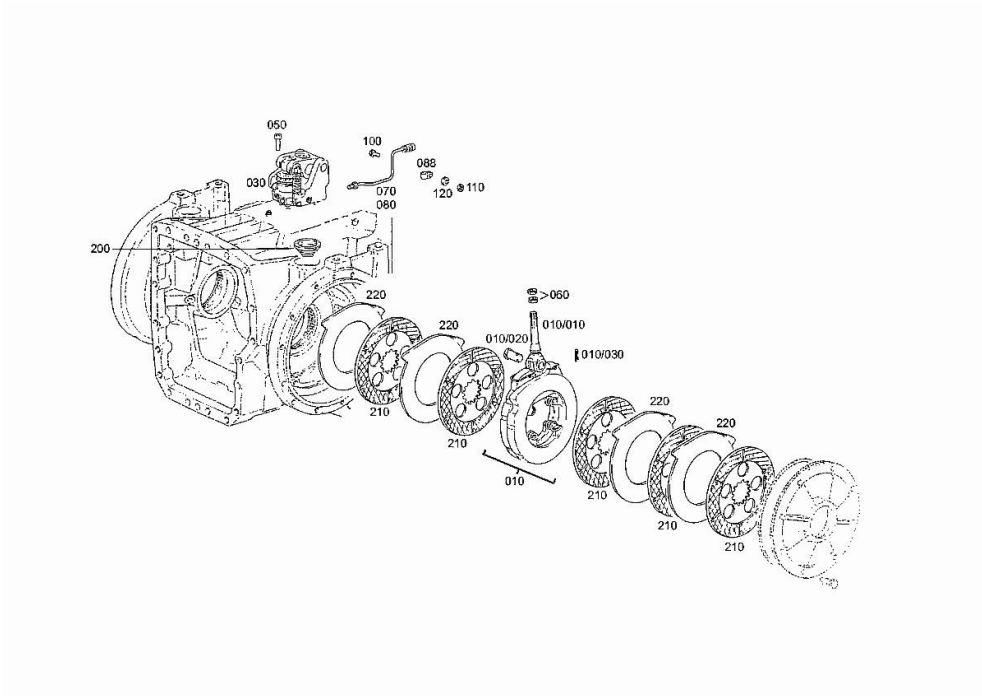


SERVICE BRAKE 2093 009 107

Fig.	P/n	QTY	Name
10	0.900.0800.4	2	transmission brake
10.10	0.900.0801.0	1	rod (...) <-
10.10	04428551	1	rod -> (...)
10.20	04435740	1	pin
10.30	0.900.0801.1	1	split pin (...) <-
10.30	04435741	1	split pin -> (...)
30	0.900.0800.5	2	operation
50	0.900.0469.7	6	screw m 10 x 40
60	04434557	4	nut m 14 p.1.5
70	04428545	1	tube sx/lh/li
80	04428546	1	pipng dx/rh/re
88	0.900.0468.2	2	clamp 6x12
100	0.900.0280.1	2	screw m 5 x 25
110	0.900.0470.2	2	nut m 5
120	0.900.0281.6	2	nut
200	0.900.0800.9	2	rubber bushing
210	0.900.0801.2	10	disc
220	0.900.0801.3	8	disc



BRAKE CONTROLS 2093 009 107

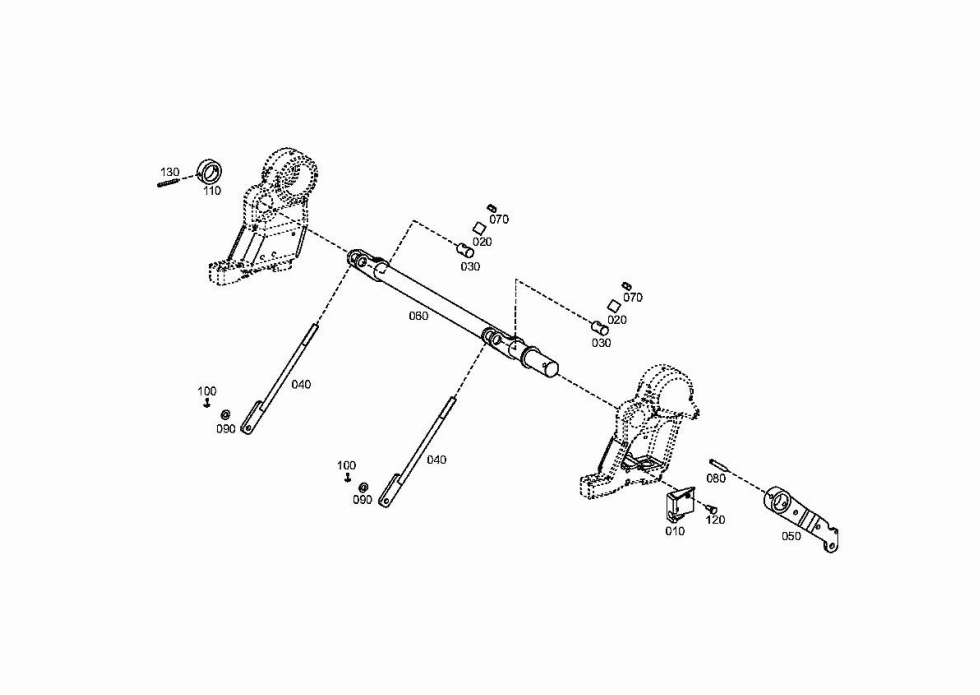
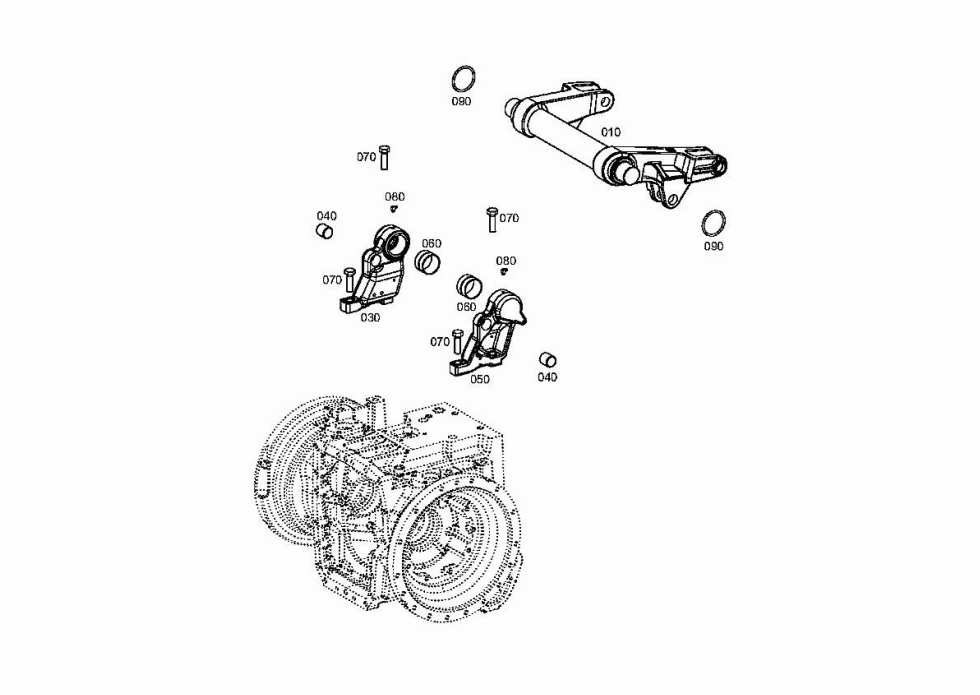


Fig.	P/n	QTY	Name
10	0.010.2901.2	1	support (...) <-
10	0.900.1239.7	1	bracket -> (...)
20	0.010.2902.0	2	bushing (...) <-
20	0.900.1239.8	2	tube -> (...)
30	0.010.2902.1	2	pin (...) <-
30	0.900.1239.9	2	pin -> (...)
40	0.010.2902.2	2	connecting rod (...) <-
40	0.900.1240.0	2	rod -> (...)
50	0.900.0466.8	1	brake lever (...) <-
50	0.900.1240.1	1	lever -> (...)
60	0.010.2903.1	1	shaft (...) <-
60	0.900.1240.2	1	shaft -> (...)
70	0.900.0281.9	2	nut m 12
80	0.010.3459.1	1	roll pin
90	0.900.0466.9	2	washer
100	0.900.0468.1	2	split pin 3.2x18
110	0.010.2904.2	1	ring (...) <-
110	0.900.1240.3	1	spacer -> (...)
120	0.900.0469.4	3	screw m 8 p.1.25 x 20
130	0.010.2901.1	1	pin 6x50

LIFTING 2093 009 107

Fig.	P/n	QTY	Name
10	0.900.0883.4	1	shaft
30	0.900.0802.9	1	bearing block dx/rh/re (...) <-
30	0.900.1407.9	1	bearing block dx/rh/re -> (...)
40	0.010.3844.1	2	bearing (...) <-
40	0.900.1431.3	2	bearing -> (...)
50	0.900.0803.0	1	bearing block sx/lh/li (...) <-
50	0.900.1408.0	1	bearing block sx/lh/li -> (...)
60	04417549	2	special bushing
70	0.900.0469.1	4	screw m 20x65
80	04427636	2	grease gun m 8 p.1 x 8
90	04417552	2	ring 78.5x6



DRIVE FOR GEAR CHANGE BOX 2093 009 107

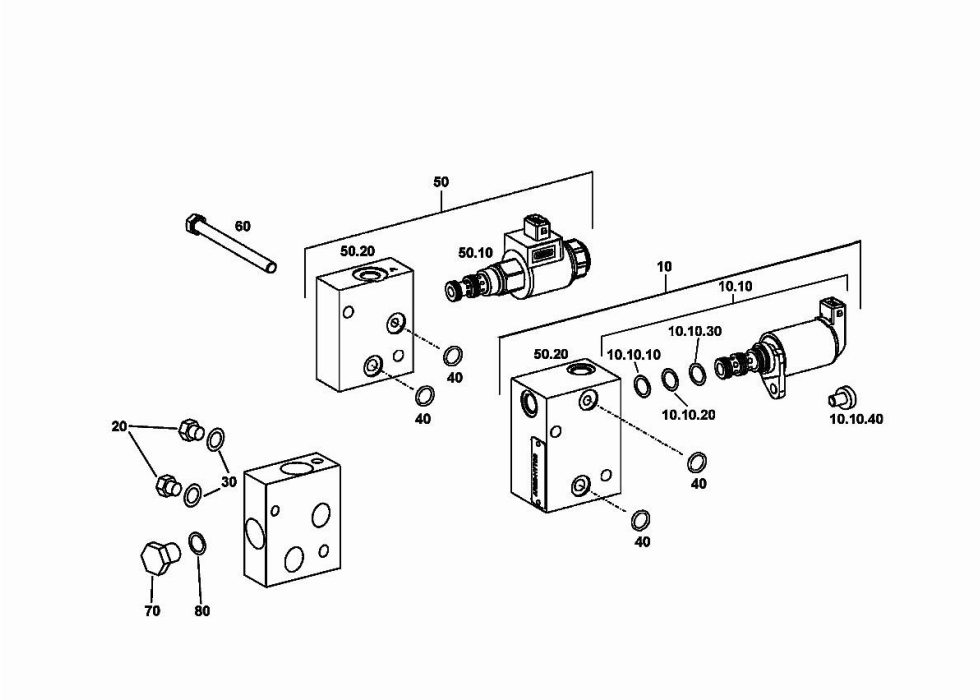


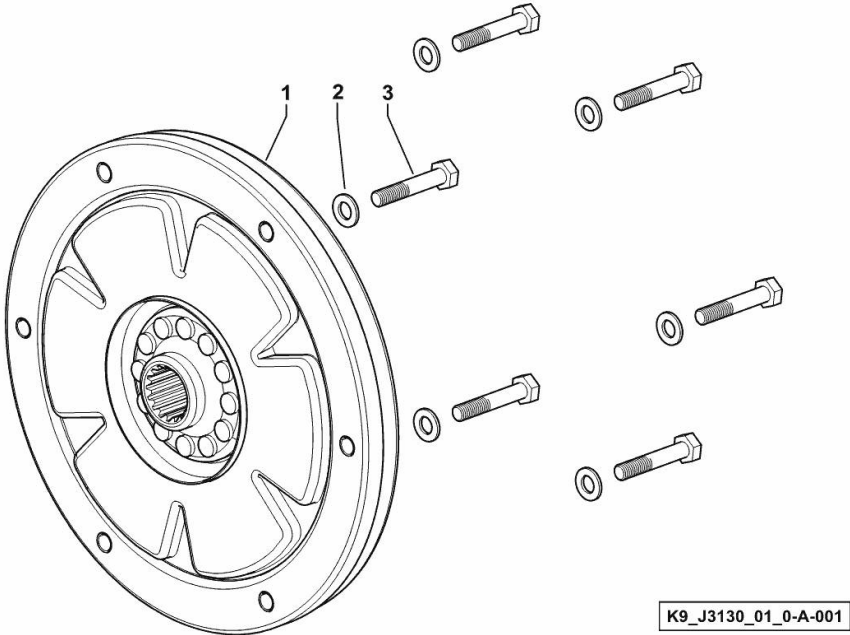
Fig.	P/n	QTY	Name
10	0.900.0952.1	1	control -> (...)
10	04423824	1	spool valve (...) <-
10.10	0.900.0952.8	1	solenoid valve DV -> (...)
10.10.10	0.900.1377.5	1	gasket 12,4 x 1,78 -> (...)
10.10.20	0.900.1377.6	1	gasket 13 x 1.5 -> (...)
10.10.30	0.900.1377.7	1	gasket 14x1.78 -> (...)
10.10.40	0.900.1377.8	1	screw m 8 x 16 -> (...)
20	04434512	2	plug m 10 p.1 (...) <-
30	0.900.0290.7	2	circlip (...) <-
40	0.900.0801.4	4	ring 11,3 x 2,4 NBR-70-10 (...) <-
50	0.010.2628.2	1	control (...) <-
50	0.900.1363.3	1	small block -> (...)
50.10	0.900.1384.6	1	solenoid valve -> (...)
60	0.900.0279.5	2	screw (...) <-
60	0.900.1363.4	2	screw -> (...)
70	0.900.0281.0	1	plug m 14 p.1.5 (...) <-
80	04423731	1	oil seal 14 x 18 (...) <-

Section: D0 - TRANSMISSION
FLEXIBLE COUPLINGS

Fig.	P/n	QTY	Name
------	-----	-----	------

Notes:
[XL 185 DCR -> 20001]

1	0.015.4319.4	1	vibration damper
2	2.1475.003.2	6	washer 10
3	2.0113.320.7	6	screw m 10 p.1.5 x 55

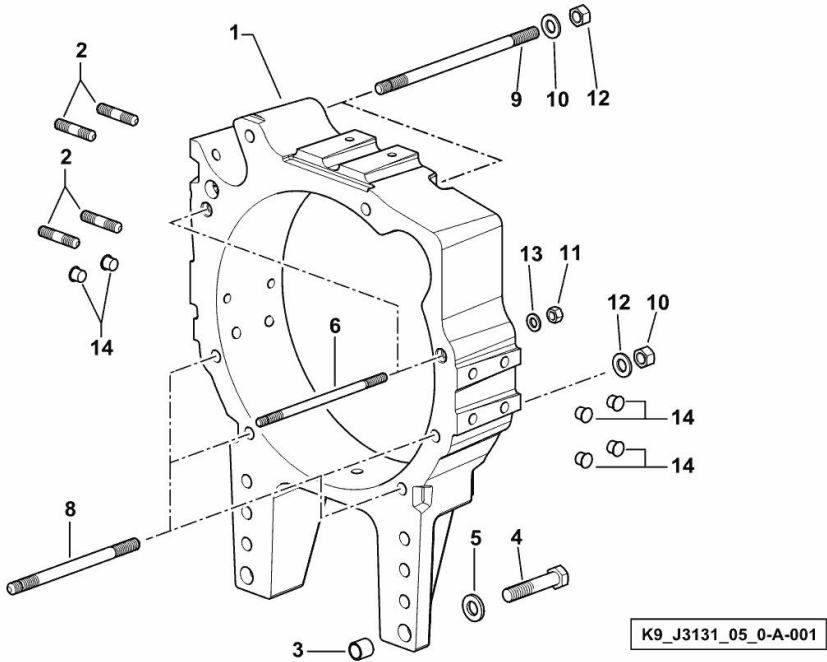


SEPARATOR

Fig.	P/n	QTY	Name
------	-----	-----	------

Notes:
 [XL 185 DCR -> 20001]

1	0.015.0622.0/30	1	spacer
2	2.0433.315.7	4	stud bolt m 14 p.1.5 x 50
3	0.013.2899.0	2	bushing 19x24x23
4	2.0114.725.2	8	screw m 18 p.2.5x80
5	2.1475.107.7	8	washer 18x36
6	2.0422.436.7	2	stud bolt m 12 p.1.75x220
8	2.0439.296.7/10	4	stud bolt m 16 p.2-1.5x242
9	2.0439.297.7/10	2	stud bolt
10	2.1011.109.2	6	nut m 16 p.2
11	2.1011.107.2	2	nut m 12 p.1.75
12	2.1475.106.7	6	washer 17x32
13	2.1475.104.7	2	washer 13 x 24
14	01167317	6	plug 14.5X11.5X21



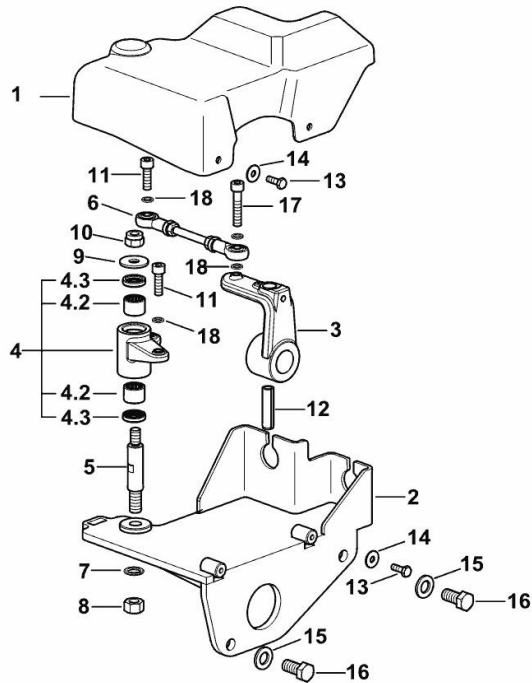
GEAR SHIFTING

Fig.	P/n	QTY	Name
------	-----	-----	------

Notes:

[XL 185 DCR -> 20001]

1	0.019.4943.0	1	cover
2	0.016.5459.2/20	1	support
3	0.019.5033.0	1	lever
4	0.019.5053.4	1	lever
4.2	2.2725.020.0	2	roller cage 16x22x16
4.3	2.1519.078.0	2	special oil seal 16 x 24 x 6
5	0.016.2711.0/20	1	pin
6	0.019.4543.4	1	stay
7	2.1474.011.2	1	spring washer 12
8	2.1011.107.2	1	nut m 12 p.1.75
9	2.1312.005.2	1	washer 10.2
10	2.1120.006.2	1	nut m 10 p.1.5
11	2.0312.208.2	2	screw m 8 p.1.25 x 25
12	2.1630.916.2	1	pin 12x45
13	2.0112.006.2	2	screw m 6 p.1 x 18
14	2.1312.003.2	2	washer 6
15	2.1475.104.6	2	screw 13 x 24
16	2.0114.409.2	2	screw m 12 x 25
17	2.0312.214.2	1	screw m 8 p.1.25 x 40
18	2.1549.780.2	4	washer



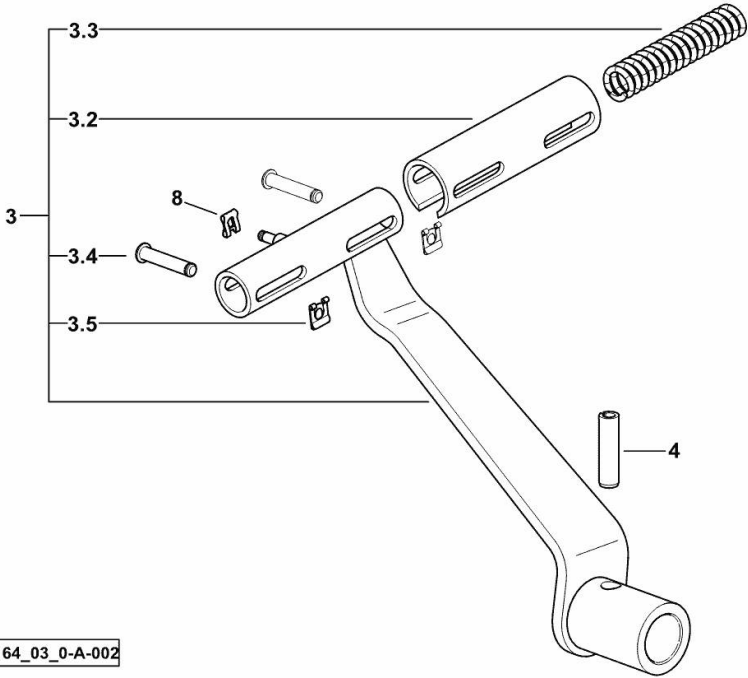
K9_J3164_04_0-A-002

SUPER-REDUCTION CONTROL

Fig.	P/n	QTY	Name
------	-----	-----	------

Notes:
 [XL 185 DCR -> 20001]

3	0.017.9592.4/10	1	lever
3.2	04414554.4	1	tube
3.3	04414549	1	spring
3.4	04414557	2	pin
3.5	01175655	2	stop
4	2.1630.916.2	1	pin 12x45
8	01175725	1	clip 6, d128



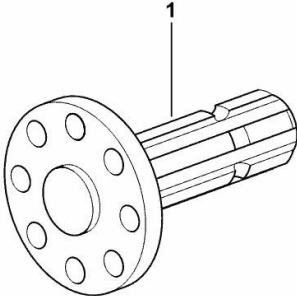
K9_R5164_03_0-A-002

PTO OUTPUT SHAFT 1" 3/4, Z = 6

Fig.	P/n	QTY	Name
------	-----	-----	------

Notes:
[XL 185 DCR -> 20001]

1	04454955	1	shaft 1" 3/4, Z = 6
---	----------	---	---------------------



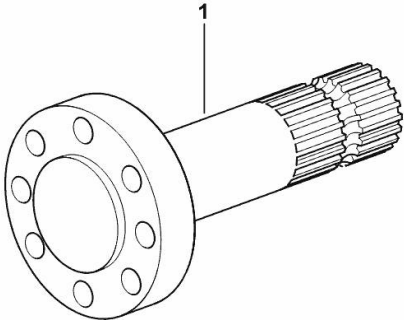
K9_F5336_12_0-A-001

PTO OUTPUT SHAFT 1"3/4, Z = 20

Fig.	P/n	QTY	Name
------	-----	-----	------

Notes:
[XL 185 DCR -> 20001]

1	04413632	1	shaft 1"3/4, Z = 20
---	----------	---	---------------------



K9_F5336_11_0-A-001

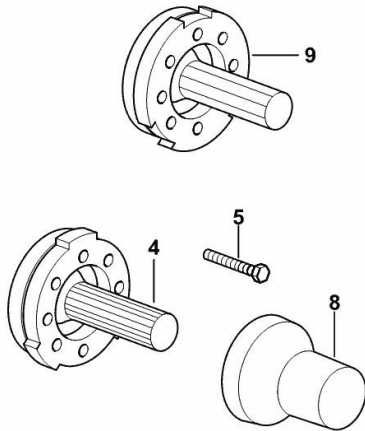
PTO OUTPUT SHAFT

Fig.	P/n	QTY	Name
------	-----	-----	------

Notes:

- EXPORT U.S.A. [XL 185 DCR -> 20001]

4	04455303.3	1	power take-off shaft Z = 21
5	2.0119.251.2	8	screw m 12 p.1.75 x 60
8	0.012.9643.0/30	1	guard
9	04455065.3	1	power take-off shaft Z = 6



K9_R5184_07_0-A-001

Thank you so much for reading.
Please click the “Buy Now!”
button below to download the
complete manual.



After you pay.

You can download the most
perfect and complete manual in
the world immediately.

Our support email:

ebooklibonline@outlook.com