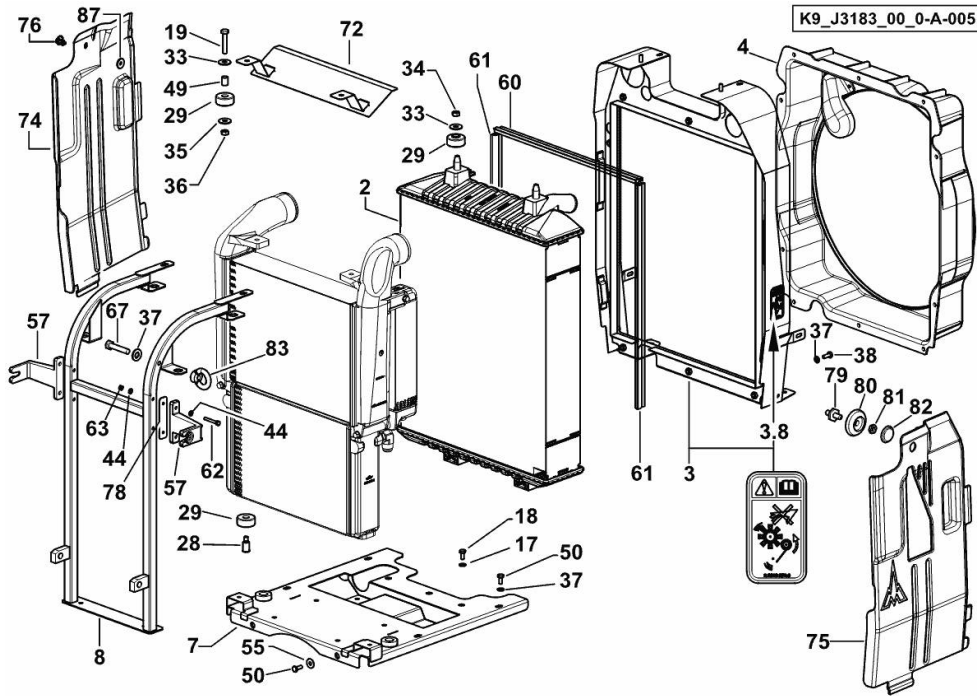


COOLING SYSTEM

Fig.	P/n	QTY	Name
------	-----	-----	------

Notes:

[XL 185 DCR HI-LEVEL -> 20001]



2	0.015.2547.2/20	1	water cooler
3	0.015.2709.4/60	1	division
3.8	2.9939.273.0	2	plate
4	0.015.2742.3/60	1	duct
7	0.015.2627.3/40	1	support
8	0.015.1744.2/30	1	chassis frame
17	2.1310.007.2	3	flat washer 13 x 24
18	2.0114.409.2	3	screw m 12 x 25
19	2.0112.320.2	2	screw m 10 p.1.5 x 55
28	04431909/10	4	pin
29	0.007.0675.0	8	silent-block
33	2.1312.005.2	6	washer 10.2
34	2.1011.106.2	8	nut m 10 p.1.5
35	2.1312.004.3	2	washer 8,4x24x2
36	2.1011.105.2	3	nut m 8 p.1.25
37	2.1310.004.2	22	flat washer 8.4x17
38	2.0112.207.2	11	screw m 8 p 1.25 x 20
44	2.1310.002.2	12	flat washer 6.4x12.5
49	2.1579.012.2/10	2	spacer 10.5X16X20
50	2.0112.209.2	4	screw m 8 p 1.25 x 25
55	2.1312.004.2	4	washer 8x24x2
57	0.015.7089.0/20	2	bracket
60	0.015.7884.0	1	gasket
61	0.015.7885.0	2	gasket
62	2.0112.017.2	4	screw m 6 p.1x45
63	2.1011.103.2	4	nut m 6 p.1
67	2.0112.213.2	1	screw m 8 p.1.25 x 35
72	0.015.8039.3	1	division
74	0.015.9410.0/10	1	division dx/rh/re
75	0.015.9409.0/20	1	division sx/lh/li
76	0.016.7924.4	1	pin
78	0.016.0765.0	4	spacer
79	2.0439.302.2	1	stud bolt
80	04411716	1	washer
81	2.1011.205.2	1	nut m 8 p.1.25
82	04413793	1	cap
83	0.016.3348.2	1	eyebolt m 8 p.1.25
87	04422851	1	washer

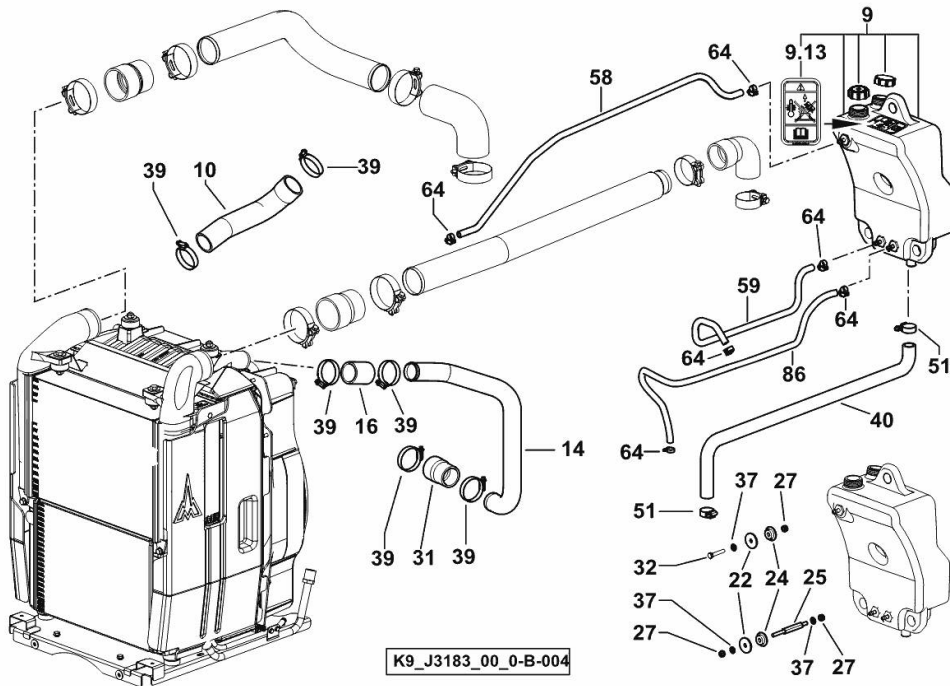
COOLING SYSTEM

Fig.	P/n	QTY	Name
------	-----	-----	------

Notes:

[XL 185 DCR HI-LEVEL -> 20001]

9	0.015.3493.4/30	1	small tank ☞ 0.015.3493.4/30
9.13	2.9939.280.0	1	plate
10	0.015.7305.0	1	sleeve
14	0.015.7303.3	1	tube
16	0.015.7302.0	1	sleeve
22	03392102	3	washer
24	04432147	3	ring
25	0.015.3967.0/10	2	spacer
27	2.1120.105.2	5	self-locking nut m 8 p.1.25
31	0.015.7304.0	1	sleeve
32	2.0112.217.2	1	screw m 8 p.1.25 x 45
37	2.1310.004.2	22	flat washer 8.4x17
39	2.6859.158.0	6	clamp Ø 50/70
40	0.015.2966.0/10	1	tube
51	2.6851.003.0	2	clamp Ø 25/40
58	0.015.7799.0/10	1	tube
59	0.016.2272.0/10	1	tube Ø mm 8x14x660
64	2.6851.018.0	4	clamp Ø11/17
64	2.6857.019.0	6	clamp 14
86	0.017.5786.0	1	tube Ø mm 8x14x990

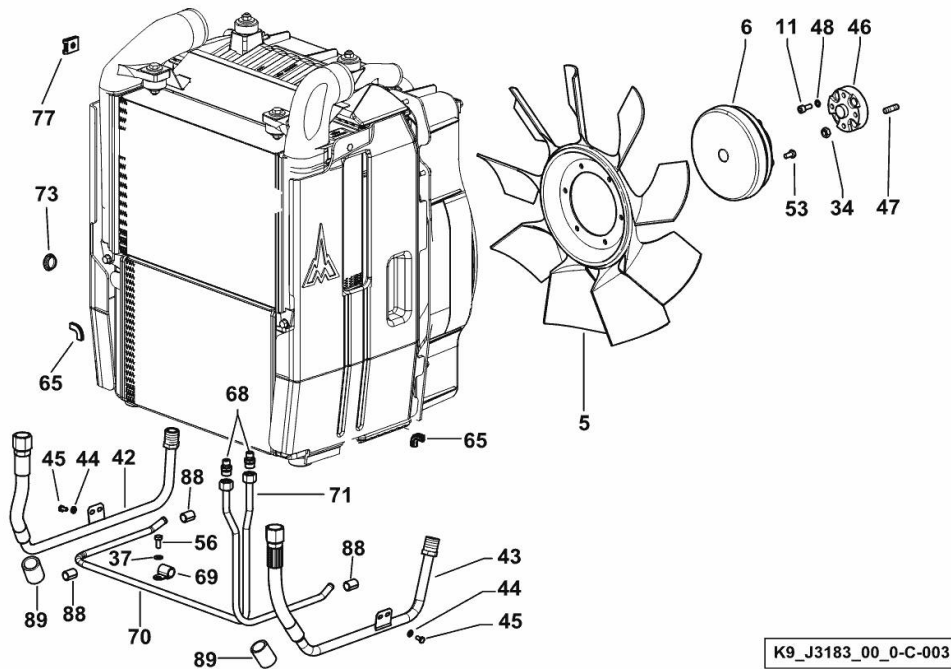


COOLING SYSTEM

Fig.	P/n	QTY	Name
------	-----	-----	------

Notes:

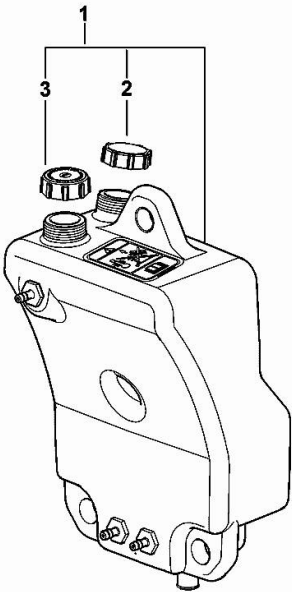
[XL 185 DCR HI-LEVEL -> 20001]



5	0.016.0823.4	1	fan
6	0.016.0824.4	1	joint
11	2.0312.208.2	4	screw m 8 p.1.25 x 25
34	2.1011.106.2	8	nut m 10 p.1.5
37	2.1310.004.2	22	flat washer 8.4x17
42	0.015.6284.3	1	tube
43	0.015.6283.3/10	1	tube
44	2.1310.002.2	12	flat washer 6.4x12.5
45	2.0112.003.2	4	screw m 6 p.1 x 12
46	0.016.2886.0/30	1	spacer
47	2.0422.303.7	4	stud bolt m 10 p.1.5 x 20
48	2.1480.014.2	4	washer 8
53	2.0112.205.2	6	screw m 8 p.1.25 x 16
56	2.0112.206.2	4	screw m 8 p.1.25 x 18
65	0.015.7918.0	2	gasket
68	04453868	2	pipe fitting m 14 p.1.5
69	2.6839.055.0	2	clamp Ø 11 / 20
70	0.015.8011.3	1	tube
71	0.015.8010.3	1	tube
73	2.3199.113.0	1	plug 31.5x8.5
77	0.013.7330.0	1	special nut
88	02382224	3	sleeve 12
89	02382225	2	sleeve

WATER TANK

Fig.	P/n	QTY	Name
1	0.015.3493.4/30	1	small tank
2	0.900.1169.2	1	cap CLOSED
3	0.900.1169.3	1	cap OPENING 1 BAR



0.015.3493.4/30

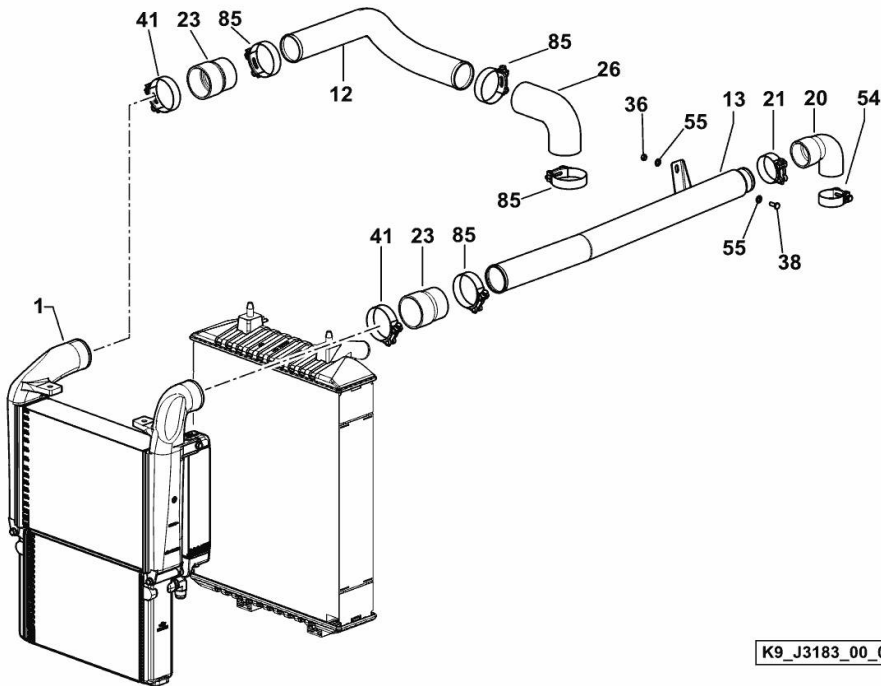
INTERCOOLER - GEARBOX OIL RADIATOR - FUEL RADIATOR

Fig.	P/n	QTY	Name
------	-----	-----	------

Notes:

[XL 185 DCR HI-LEVEL -> 20001]

1	0.015.2736.2/20	1	intercooler ☞ 0.015.2736.2/20
12	0.015.1739.0/20	1	tube
13	0.015.7421.2/10	1	tube
20	0.015.7422.0	1	sleeve
21	2.6859.165.2	1	clamp Ø 66/72
23	0.015.1736.0/10	2	sleeve
26	0.015.1735.0/10	1	sleeve
36	2.1011.105.2	3	nut m 8 p.1.25
38	2.0112.207.2	11	screw m 8 p 1.25 x 20
41	2.6859.111.0	2	clamp Ø 80-85
54	2.6859.146.0/10	1	clamp
55	2.1312.004.2	4	washer 8x24x2
85	2.6859.145.2	4	clamp 73/79



K9_J3183_00_0-D-002

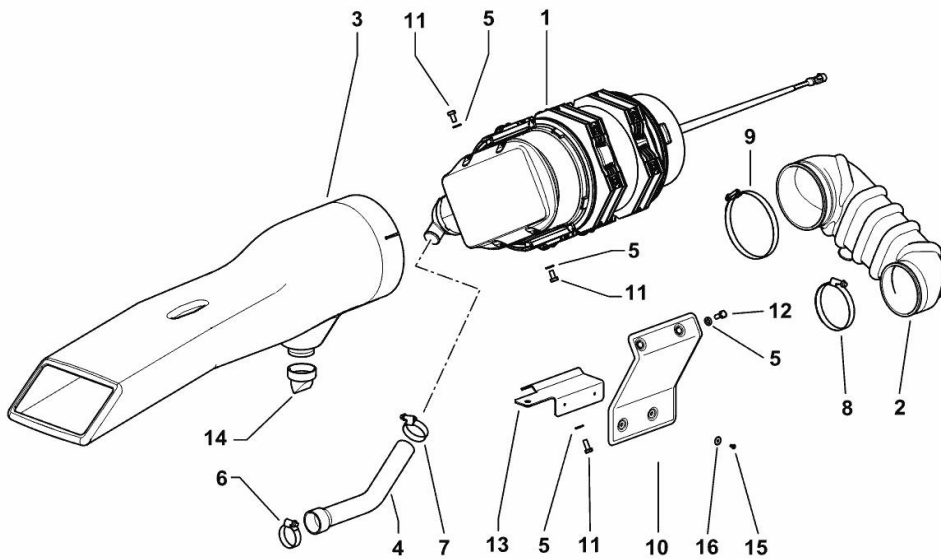
FUEL SUPPLY - AIR FILTER

Fig.	P/n	QTY	Name
------	-----	-----	------

Notes:

[XL 185 DCR HI-LEVEL -> 20001]

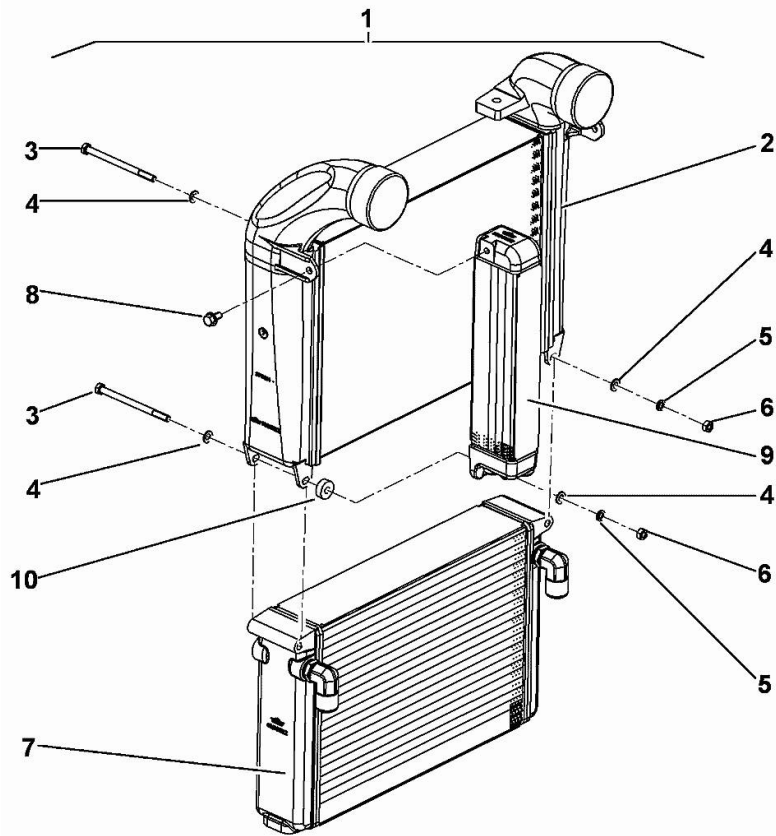
1	2.4249.722.0	1	air filter ☞ 2.4249.722.0
2	0.015.2352.0/20	1	sleeve
3	0.015.2351.0/20	1	duct
4	0.015.2814.0	1	tube
5	2.1310.004.2	8	flat washer 8.4x17
6	2.6851.005.0	1	clamp Ø 40/60
7	2.6851.004.0	1	clamp Ø 32/50
8	2.6851.011.0	1	clamp Ø 100/120
9	2.6851.013.0	1	clamp 120-140
10	0.015.3216.0/10	1	shield
11	2.0112.205.2	4	screw m 8 p.1.25 x 16
12	2.0114.207.2	4	screw m 8 p.1.25 x 20
13	0.015.3217.3/10	1	bracket
14	0.015.3566.0	1	valve
15	2.1856.004.0	2	rivet 4
16	2.1312.001.2	2	washer 4



K9_J3181_10_0-A-001

INTERCOOLER

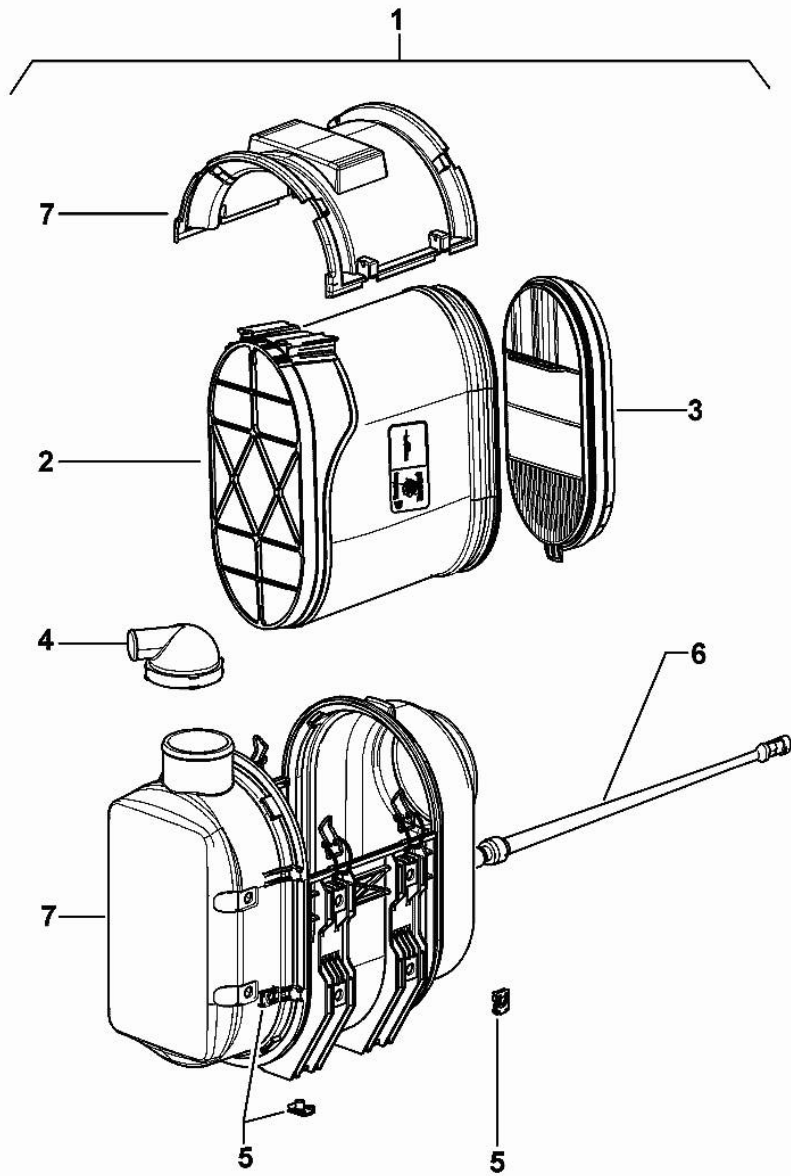
Fig.	P/n	QTY	Name
1	0.015.2736.2/20	1	intercooler
2	0.900.1162.8	1	radiator
3	0.900.1162.9	2	pin m8 p.1.25
4	0.900.1163.0	4	washer Ø 8.4
5	0.900.1213.2	2	washer Ø 8
6	0.900.1213.3	2	nut m8 p.1.25
7	0.900.1213.4	1	oil cooler
8	0.900.1213.5	1	screw M8X16
9	0.900.1213.7	1	radiator
10	0.900.1213.8	1	spacer



0.015.2736.2/20

AIR CLEANER

Fig.	P/n	QTY	Name
1	2.4249.722.0	1	air filter
2	0.900.0862.6	1	external air filter element
3	0.900.0793.7	1	internal air filter element
4	0.900.0793.8	1	valve
5	0.900.0272.4	12	clip
6	0.900.0272.2	1	electric cable
7	0.000.0000.1		cannot be supplied



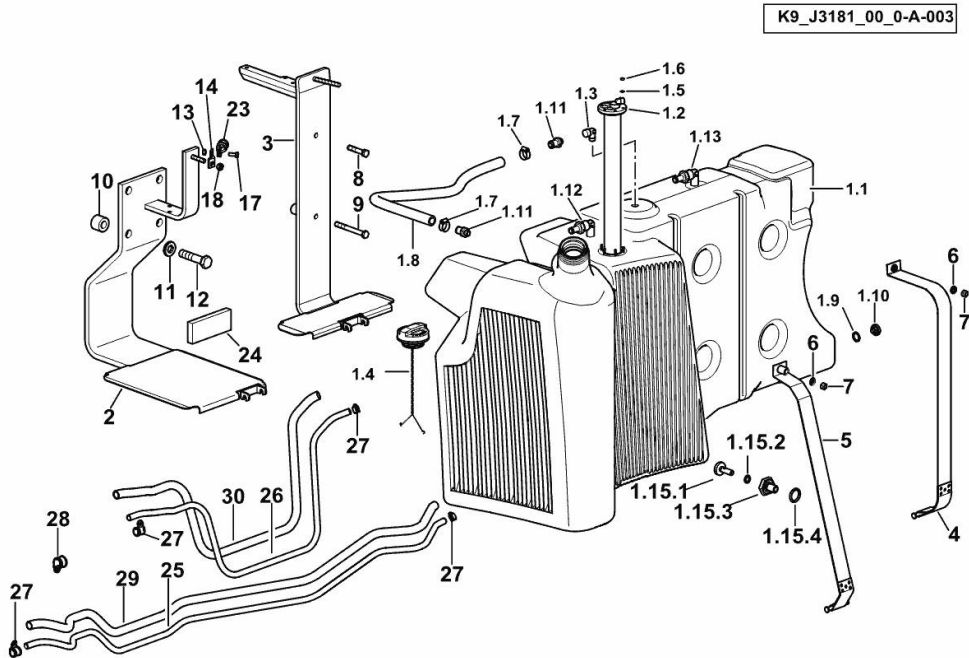
2_4249_722_0

FUEL SYSTEM - TANK

Fig.	P/n	QTY	Name
------	-----	-----	------

Notes:

[XL 185 DCR HI-LEVEL -> 20001]



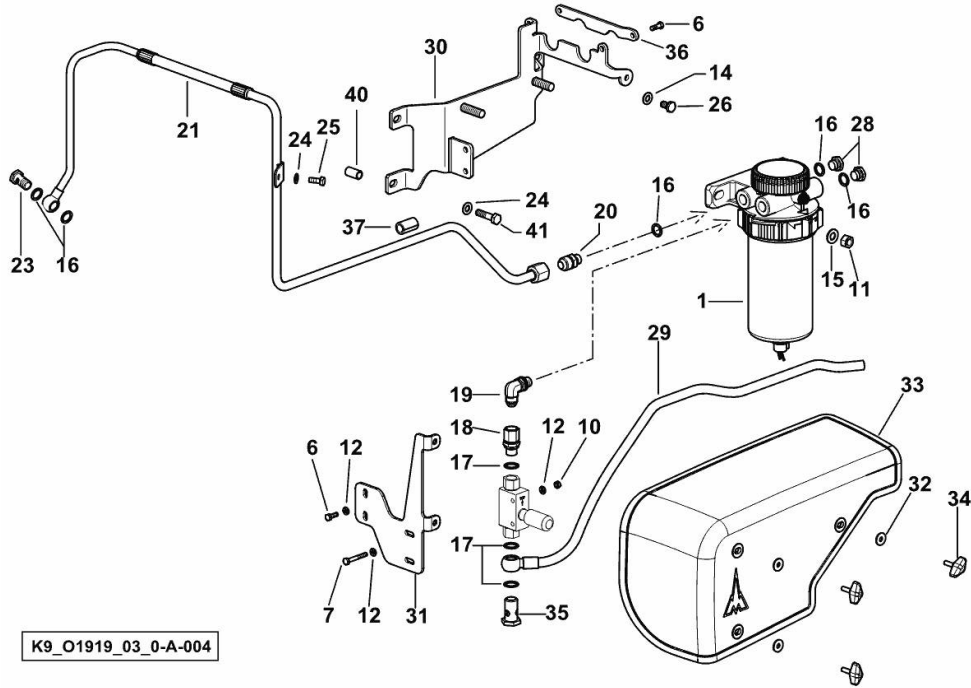
1.1	0.014.0702.3/40	1	fuel tank lt. 300
1.2	2.7059.844.0	1	float
1.3	2.3249.224.0	1	pipe fitting Ø 22 / 3/8" GAS
1.4	0.016.0151.4	1	plug ☞ 0.016.0151.4
1.5	2.1310.028.2	6	flat washer
1.6	2.1011.101.2	6	nut
1.7	01173962	2	clamp Ø 20/32
1.8	0.016.9302.0/10	1	tube
1.9	2.1539.040.0	1	special oil seal 21.82 x 3.53
1.10	2.3199.332.0	1	plug m 12
1.11	2.3249.245.0	2	pipe fitting Ø 12 / 3/8" GAS
1.12	0.015.9459.3/10	1	tube
1.13	0.016.7518.3/10	1	tube
1.15.1	0.016.9607.0	1	plug m10
1.15.2	2.1560.006.0	1	gasket 10.2 x 16
1.15.3	0.016.9605.0	1	plug m14
1.15.4	2.1539.040.0	1	special oil seal 21.82 x 3.53
2	0.014.0711.3/20	1	tank support
3	0.014.8104.3/30	1	tank support
4	04438108/10	1	fascia
5	04436122/10	1	fascia
6	2.1310.006.2	2	flat washer 10.5x21
7	01136453	2	nut m 10
8	2.0112.421.2	1	screw m 12 p.1.75 x 60
9	2.0112.431.2	1	screw m 12 p.1.75 x 110
10	04427061	4	bushing 20.5x40x30
11	01167055	4	washer 20.5x40
12	2.0399.302.2	4	screw m 20 p.2x90
13	01122477	1	nut m 8 p.1.25
14	04438416	1	bracket
17	2.0114.207.2	1	screw m 8 p.1.25 x 20
18	2.1011.106.2	1	nut m 10 p.1.5
23	01213283	1	clamp Ø 20/28
24	0.015.7103.0	1	gasket 60x150x18
25	0.015.8178.0/10	1	tube
26	0.015.8179.0	1	tube
27	2.6851.018.0	4	clamp Ø11/17
28	2.6839.054.0	1	clamp Ø 20/25
29	0.016.7110.0	1	sheath mm 2317
30	0.015.8206.0/10	1	sheath L=1291.5

FUEL FILTER - PIPES

Fig.	P/n	QTY	Name
------	-----	-----	------

Notes:
[XL 185 DCR HI-LEVEL -> 20001]

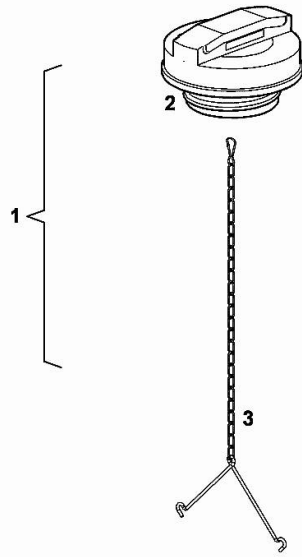
1	2.4319.300.0/20	1	precleaner ☞ 2.4319.300.0/20
6	2.0112.006.2	4	screw m 6 p.1 x 18
7	2.0112.017.2	2	screw m 6 p.1x45
10	2.1011.103.2	2	nut m 6 p.1
11	2.1011.107.2	2	nut m 12 p.1.75
12	2.1310.002.2	6	flat washer 6.4x12.5
14	2.1310.006.2	1	flat washer 10.5x21
15	2.1310.007.2	2	flat washer 13 x 24
16	2.1560.012.0	5	gasket 16.2 x 22
17	2.1560.014.0	3	washer 18.2 x 24
18	2.3339.877.2	1	pipe fitting m 18 p.1.5 3/4" - 16 JIC
19	2.3249.101.2	1	pipe fitting m 16 p.1.5
20	2.3249.088.2	1	pipe fitting M16x1,5-7/8" 14 JIC
21	0.015.6096.3	1	tube
23	2.3335.007.2	1	pipe union m 16 p.1.5x28
24	2.1310.004.2	2	flat washer 8.4x17
25	2.0112.207.2	1	screw m 8 p 1.25 x 20
26	2.0112.306.2	1	screw m 10
28	2.3110.404.2	2	plug m 16 p.1.5
29	0.016.6832.0	1	flexible hose mm 1300
30	0.016.0427.3/10	1	bracket
31	0.016.0421.3	1	support
32	2.1312.003.3	3	washer 6.6 x 18
33	0.016.0424.0/10	1	hood
34	2.0399.329.0	3	screw
35	2.3335.008.2	1	pipe union m 18 p.1.5 x 32
36	0.016.8832.0	1	bracket
37	02382224	1	sleeve 12
40	2.1549.655.2	1	spacer
41	2.0112.219.2	1	screw m 8 p.1.25x55



K9_O1919_03_0-A-004

SCREW PLUG

Fig.	P/n	QTY	Name
1	0.016.0151.4	1	plug
2	0.000.0000.1	1	cannot be supplied
3	0.900.0986.2	1	small chain



0.016.0151.4

Thank you so much for reading.
Please click the “Buy Now!”
button below to download the
complete manual.



After you pay.

You can download the most
perfect and complete manual in
the world immediately.

Our support email:

ebooklibonline@outlook.com