

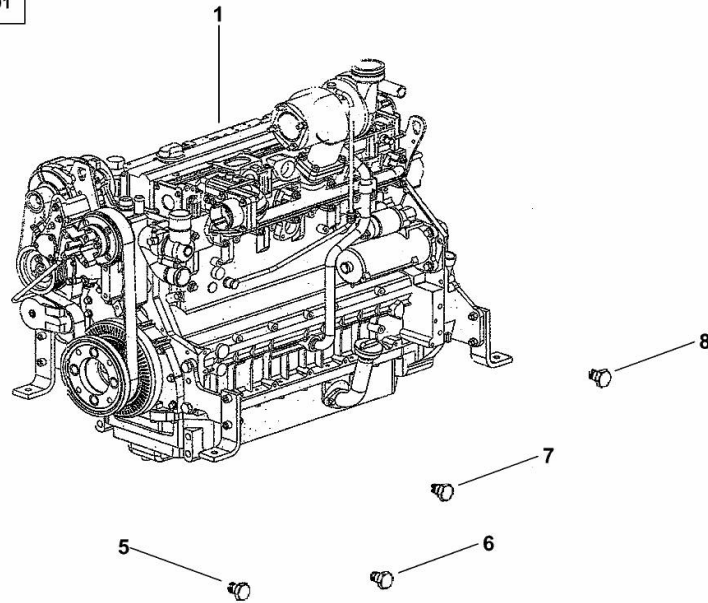
ENGINE

Fig.	P/n	QTY	Name
------	-----	-----	------

Notes:
[XL130 HI-LEVEL]

1	25007798	1	new engine >50 and <=100 ON ORDERING PLEASE ENGINE NO. REQUIRED
5	01167308	6	plug 7.2x5.2x9
6	01167312	3	plug 10.3x8 x17
7	01167315	1	plug 12.4x10x17
8	01167322	8	bottom 18.4x15.5x25

K9_O0419_01_0-A-001



FASTENINGS

Fig.	P/n	QTY	Name
------	-----	-----	------

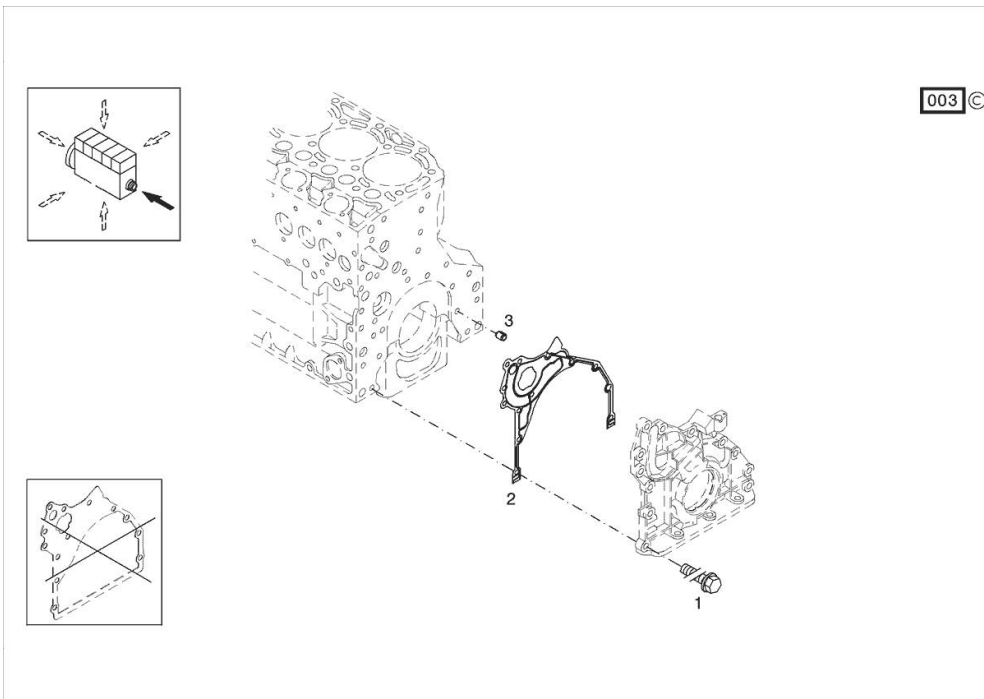
Notes:

[XL130 HI-LEVEL]

Engine serial number:

10217567 10252195 10255841 10472470 10517548

1	01183645	12	screw EN 1662 -F-M8X35-10.9-ZNAL-A
2	04504325	1	gasket
3	01181406	1	bushing H 2341 -B11X8-FE/ZN12C*



Section: B0 - ENGINE

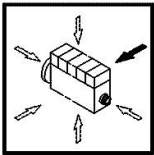
BLEEDING TUBE

Fig.	P/n	QTY	Name
------	-----	-----	------

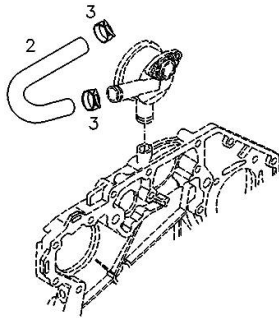
Notes:

[XL130 HI-LEVEL]

2	04258132	1	tube
3	01178750	2	clamp DIN 3021 -A-29X15



000 ©



Section: B0 - ENGINE

BLEEDING TUBE

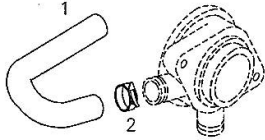
Fig.	P/n	QTY	Name
------	-----	-----	------

Notes:

[XL130 HI-LEVEL]

1	04198572	1	tube
2	01178750	3	clamp DIN 3021 -A-29X15

001



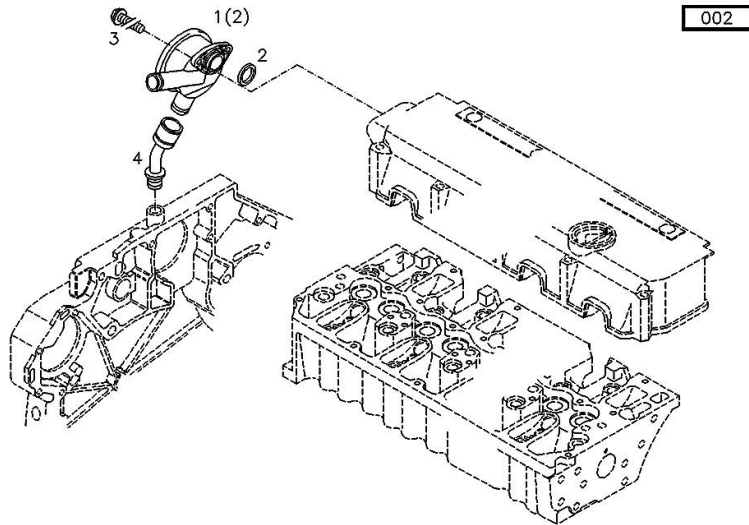
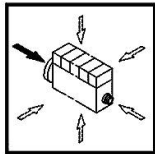
Section: B0 - ENGINE
CRANKCASE BREATHER

Fig.	P/n	QTY	Name
------	-----	-----	------

Notes:
 [XL130 HI-LEVEL]

Engine serial number:
 10217567 10252195 10255841 10472470 10517548

1	04203321	1	valve WITH POS.... (2)
2	04206233	1	gasket
3	01148431	2	screw - FROM THE MONTH OF ASSEMBLY SEE POS. (B) - UP TO THE MONTH OF ASSEMBLY (A) FROM THE MONTH OF ASSEMBLY A = 09.1995 B = POS. 950 ISO 4762 -M6X20-8.8-ZNAL-A
4	04207290	1	pipng
5	01124654	2	washer 6,4 d433 ISO 7092 -6-140HV-A4C*
950	01181965	2	screw - UP TO MONTH OF ASSEMBLY (A) - FROM MONTH OF ASSEMBLY SEE POS. (B) A = 08.1995 B = POS. 3 EN 1662 -F-M6X20-10.9-ZNAL-A



0507 1876

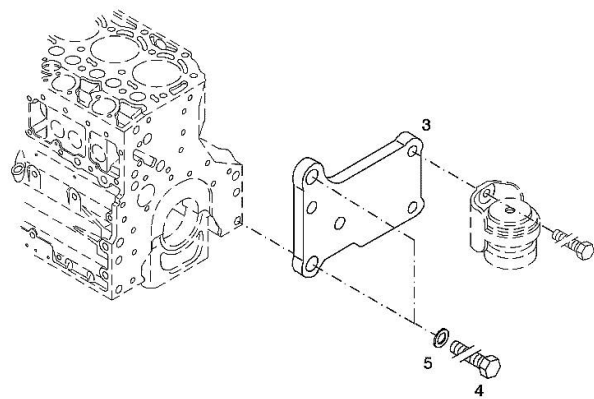
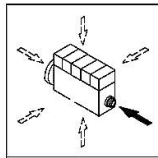
ACCESSORIES

Fig.	P/n	QTY	Name
------	-----	-----	------

Notes:
[XL130 HI-LEVEL]

Engine serial number:
10217567 10252195 10255841 10472470 10517548

3	04288659	1	support
4	01148261	2	screw ISO 4017 -M16X40-10.9-ZNAL-A
5	01181400	2	washer H 2308 -18X25X1,5-A4C



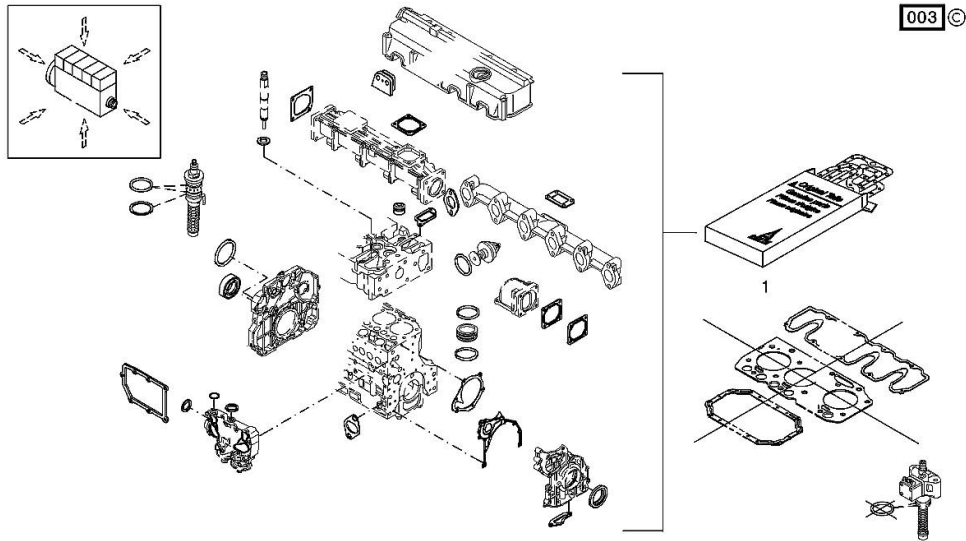
Section: B0 - ENGINE
SERIE GUARNIZIONI

Fig.	P/n	QTY	Name
------	-----	-----	------

Notes:
 [XL130 HI-LEVEL]

Engine serial number:
 10217567 10252195 10255841 10472470 10517548

1	02937586	1	gasket set THE KIT DOES NOT CONTAIN ALL THE GASKETS: SEE SM 0199-99-9449
---	----------	---	--



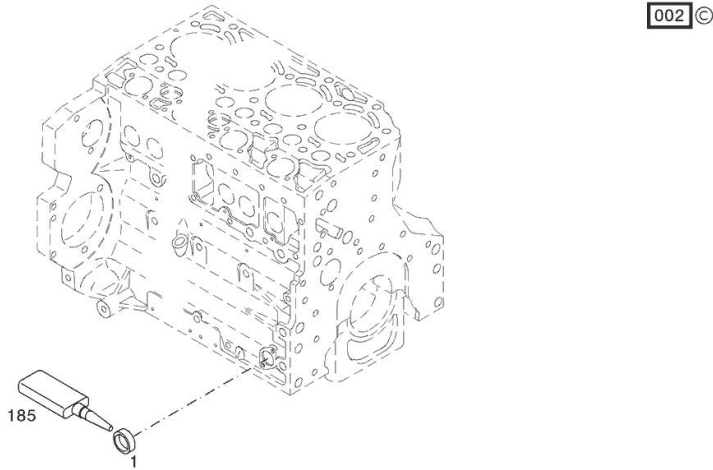
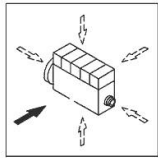
PLUG

Fig.	P/n	QTY	Name
------	-----	-----	------

Notes:

[XL130 HI-LEVEL]

1	01148031	1	plug DIN 443 -A36-ZNPHR
185	01319911	1	sealing compound ml. 50



ACCESSORIES

Fig.	P/n	QTY	Name
------	-----	-----	------

Notes:

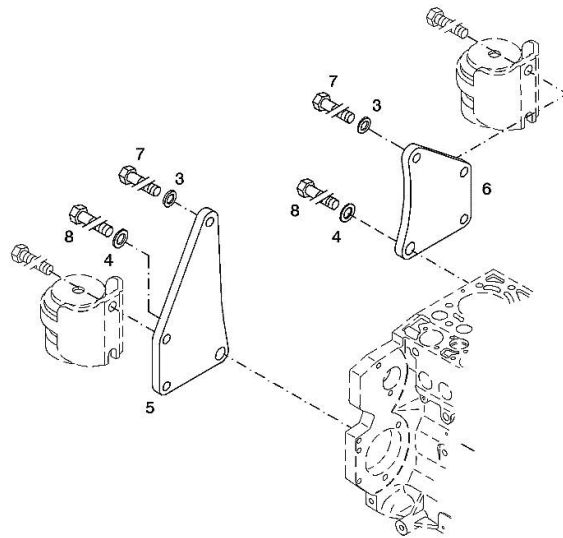
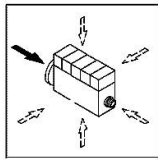
[XL130 HI-LEVEL]

Engine serial number:

10217567 10252195 10255841 10472470 10517548

3	01182016	2	disc H 2308 -13X24X3-ZNAL-A
4	01181400	2	washer H 2308 -18X25X1,5-A4C
5	04206926	1	plate dx/rh/re
6	04206927	1	plate sx/lh/li
7	01148137	2	screw - UP TO MONTH OF ASSEMBLY (A) - FROM MONTH OF ASSEMBLY SEE POS. (B) A = 06.2009 B = POS. 950 DIN 931 -M12X75-10.9-ZNAL-A
8	01148037	2	screw UP TO MONTH OF ASSEMBLY (A) - FROM MONTH OF ASSEMBLY SEE POS. (B) A = 06.2009 B = POS. 951 ISO 4014 -M16X75-10.9-OELGESCHW
950	01149017	2	screw - FROM MONTH OF ASSEMBLY SEE POS. (B) - UP TO MONTH OF ASSEMBLY (A) FROM MONTH OF ASSEMBLY A = 07.2009 B = 7
951	01180235	2	screw - FROM MONTH OF ASSEMBLY SEE POS. (B) - UP TO MONTH OF ASSEMBLY (A) FROM MONTH OF ASSEMBLY A = 07.2009 B= Pos.8 DIN 34800 -BM12X75-10.9-ZNAL-A H 2032 -HBM16X75-10.9-GESCHW

003 ©



Section: B0 - ENGINE
OIL FILLER NECK

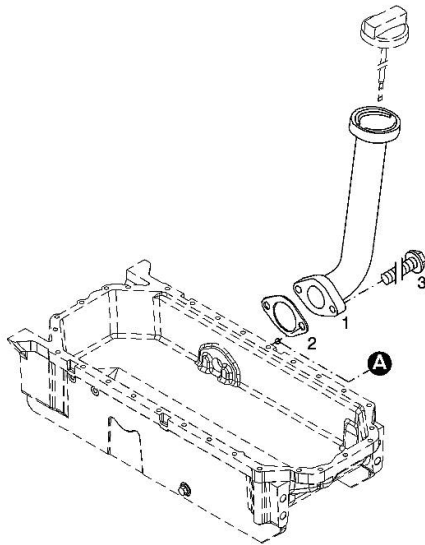
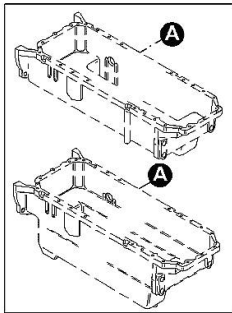
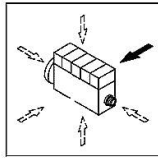
Fig.	P/n	QTY	Name
------	-----	-----	------

Notes:
 [XL130 HI-LEVEL]

Engine serial number:
 10217567 10252195 10255841 10472470 10517548

1	04207099	1	tube
2	01178421	1	gasket
3	01181433	2	screw
			30 Nm

001 ©



ACCESSORIES

Fig.	P/n	QTY	Name
------	-----	-----	------

Notes:

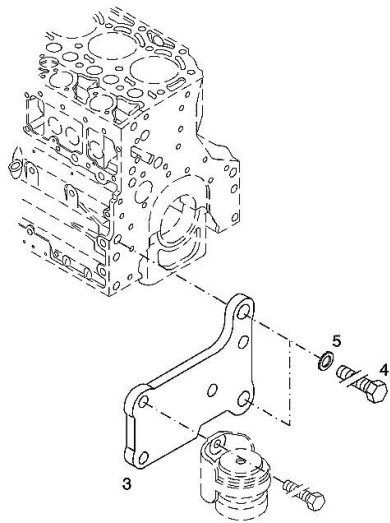
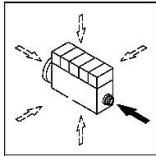
[XL130 HI-LEVEL]

Engine serial number:

10217567 10252195 10255841 10472470 10517548

3	04288660	1	support
4	01148261	2	screw ISO 4017 -M16X40-10.9-ZNAL-A
5	01181400	2	washer H 2308 -18X25X1,5-A4C

003 ©



PISTON COOL.NOZZLE

Fig.	P/n	QTY	Name
------	-----	-----	------

Notes:

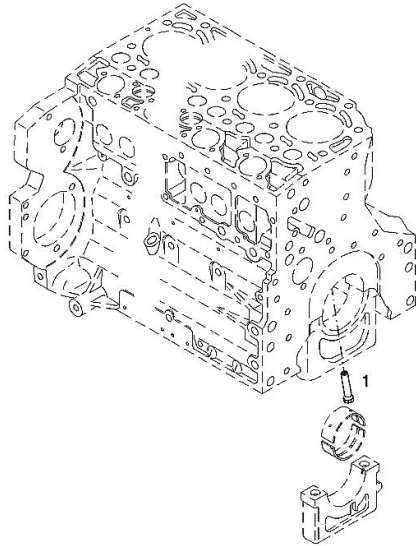
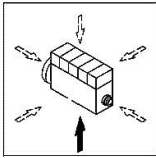
[XL130 HI-LEVEL]

Engine serial number:

10217567 10252195 10255841 10472470 10517548

1	04207521	1	sprayers
---	----------	---	----------

001 ©



FILLER CAP

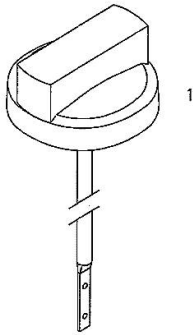
Fig.	P/n	QTY	Name
------	-----	-----	------

Notes:
[XL130 HI-LEVEL]

Engine serial number:
10217567 10252195 10255841 10472470 10517548

1	01180341	1	plug H 2875 -B2-OL40-166X4X145X15
---	----------	---	--------------------------------------

000



Section: B0 - ENGINE

BLEEDING TUBE

Fig.	P/n	QTY	Name
------	-----	-----	------

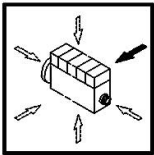
Notes:

[XL130 HI-LEVEL]

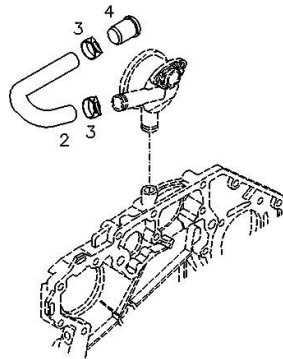
Engine serial number:

10217567 10252195 10255841 10472470 10517548

2	04198572	1	tube
3	01178750	2	clamp DIN 3021 -A-29X15
4	01167329	1	bottom H 2873 -A24,6X21,5X25-PEWEICH



000 ©



Section: B0 - ENGINE

BLEEDING TUBE

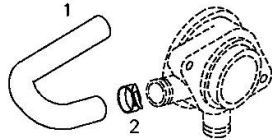
Fig.	P/n	QTY	Name
------	-----	-----	------

Notes:

[XL130 HI-LEVEL]

1	04198572	1	tube
2	01178750	1	clamp DIN 3021 -A-29X15

000



Thank you so much for reading.
Please click the “Buy Now!”
button below to download the
complete manual.



After you pay.

You can download the most
perfect and complete manual in
the world immediately.

Our support email:

ebooklibonline@outlook.com