

**ENGINE**

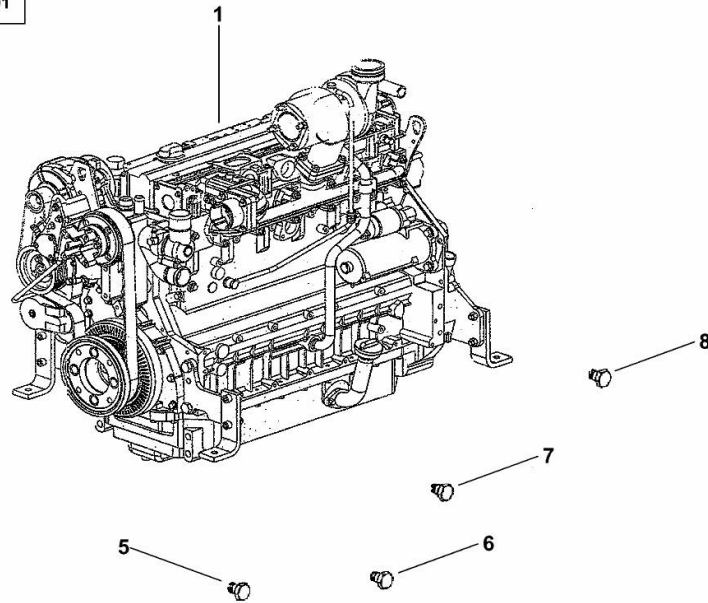
Fig.	P/n	QTY	Name
------	-----	-----	------

**Notes:**

- EXPORT U.S.A. [XL130]

1	25004681	1	new engine >50 and <=100 ON ORDERING PLEASE ENGINE NO. REQUIRED
5	01167308	6	plug 7.2x5.2x9
6	01167312	3	plug 10.3x8 x17
7	01167315	1	plug 12.4x10x17
8	01167322	10	bottom 18.4x15.5x25

K9\_N3519\_02\_0-A-001



**FASTENINGS**

Fig.	P/n	QTY	Name
------	-----	-----	------

**Notes:**  
[XL130]

**Engine serial number:**

10087267 10118203 10118205 10155090 10221194 10240925 10241963 10241965 10246879 10505132 10517550  
10517554

1	01183645	12	screw EN 1662 -F-M8X35-10.9-ZNAL-A
2	04504325	1	gasket
3	01181406	1	bushing H 2341 -B11X8-FE/ZN12C*

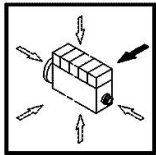


Section: B0 - ENGINE  
**BLEEDING TUBE**

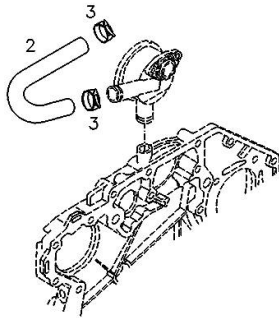
Fig.	P/n	QTY	Name
------	-----	-----	------

Notes:  
 [XL130]

2	04258132	1	tube
3	01178750	2	clamp DIN 3021 -A-29X15



000 ©



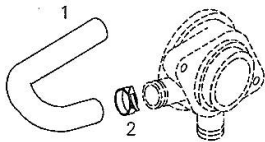
**BLEEDING TUBE**

Fig.	P/n	QTY	Name
------	-----	-----	------

Notes:  
[XL130]

1	04198572	1	tube
2	01178750	3	clamp DIN 3021 -A-29X15

001



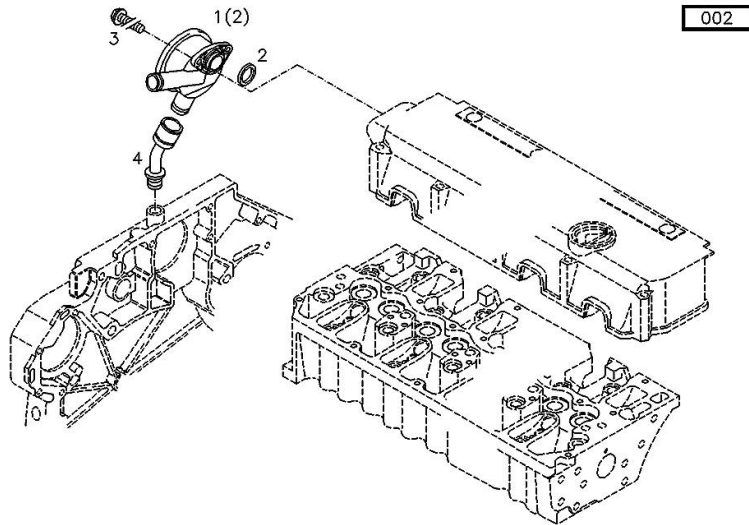
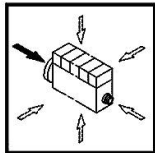
Section: B0 - ENGINE  
**CRANKCASE BREATHER**

Fig.	P/n	QTY	Name
------	-----	-----	------

Notes:  
 [XL130]

**Engine serial number:**

10087267 10118203 10118205 10155090 10221194 10240925 10241963 10241965 10246879 10505132 10517550  
 10517554



1	04203321	1	valve WITH POS.... (2)
2	04206233	1	gasket
3	01148431	2	screw - FROM THE MONTH OF ASSEMBLY SEE POS. ( B ) - UP TO THE MONTH OF ASSEMBLY ( A ) FROM THE MONTH OF ASSEMBLY A = 09.1995 B = POS. 950 ISO 4762 -M6X20-8.8-ZNAL-A
4	04207290	1	pipng
5	01124654	2	washer 6,4 d433 ISO 7092 -6-140HV-A4C*
950	01181965	2	screw - UP TO MONTH OF ASSEMBLY ( A ) - FROM MONTH OF ASSEMBLY SEE POS. ( B ) A = 08.1995 B = POS. 3 EN 1662 -F-M6X20-10.9-ZNAL-A

**ACCESSORIES**

Fig.	P/n	QTY	Name
------	-----	-----	------

**Notes:**  
[XL130]

**Engine serial number:**

10087267 10118203 10118205 10155090 10221194 10240925 10241963 10241965 10246879 10505132 10517550  
10517554

3	04288659	1	support
4	01148261	2	screw ISO 4017 -M16X40-10.9-ZNAL-A
5	01181400	2	washer H 2308 -18X25X1,5-A4C

006 ©

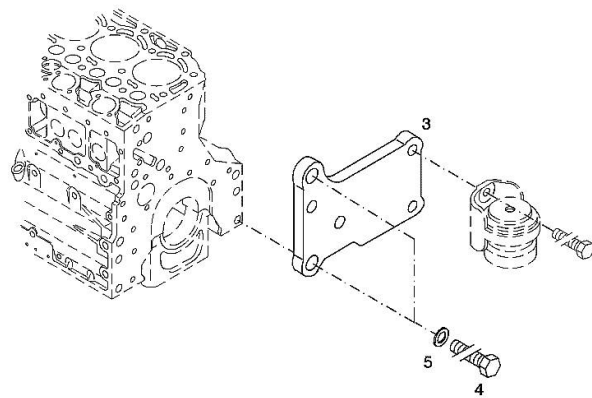
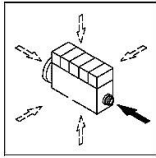
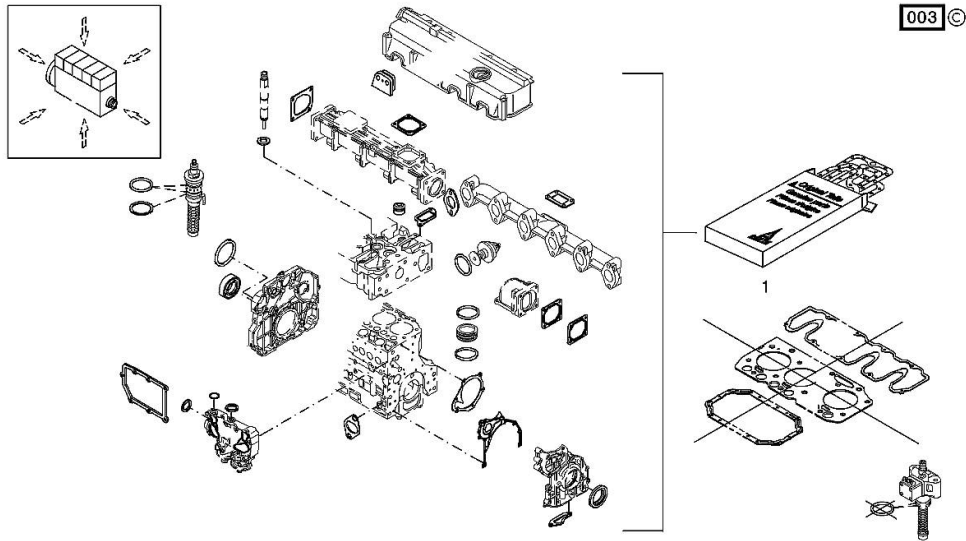


Fig.	P/n	QTY	Name
------	-----	-----	------

Notes:  
 [XL130]

**Engine serial number:**  
 10087267 10118203 10118205 10155090 10221194 10240925 10241963 10241965 10246879 10505132 10517550  
 10517554

1	02937586	1	gasket set THE KIT DOES NOT CONTAIN ALL THE GASKETS: SEE SM 0199-99-9449
---	----------	---	--



**OIL FILLER NECK**

Fig.	P/n	QTY	Name
------	-----	-----	------

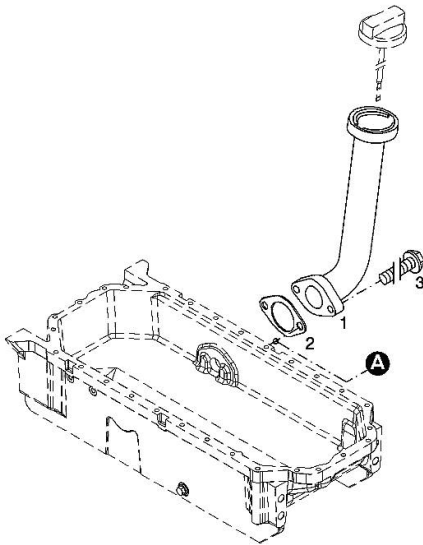
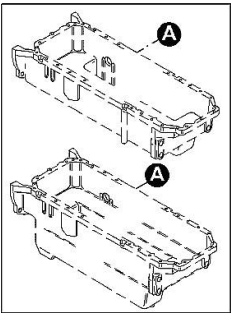
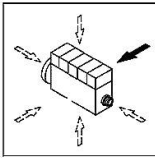
Notes:  
[XL130]

**Engine serial number:**

10087267 10118203 10118205 10155090 10221194 10240925 10241963 10241965 10246879 10505132 10517550  
10517554

1	04207099	1	tube
2	01178421	1	gasket
3	01181433	2	screw
			30 Nm

001 ©





**ACCESSORIES**

Fig.	P/n	QTY	Name
------	-----	-----	------

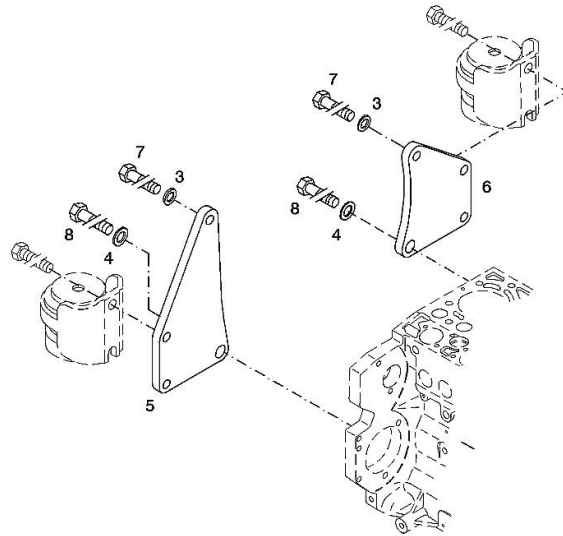
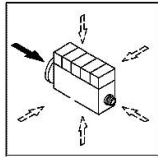
Notes:  
[XL130]

**Engine serial number:**

10087267 10118203 10118205 10155090 10221194 10240925 10241963 10241965 10246879 10505132 10517550  
10517554

3	01182016	2	disc H 2308 -13X24X3-ZNAL-A
4	01181400	2	washer H 2308 -18X25X1,5-A4C
5	04206926	1	plate dx/rh/re
6	04206927	1	plate sx/lh/li
7	01148137	2	screw - UP TO MONTH OF ASSEMBLY ( A ) - FROM MONTH OF ASSEMBLY SEE POS. ( B ) A = 06.2009 B = POS. 950 DIN 931 -M12X75-10.9-ZNAL-A
8	01148037	2	screw UP TO MONTH OF ASSEMBLY ( A ) - FROM MONTH OF ASSEMBLY SEE POS. ( B ) A = 06.2009 B = POS. 951 ISO 4014 -M16X75-10.9-OELGESCHW
950	01149017	2	screw - FROM MONTH OF ASSEMBLY SEE POS. ( B ) - UP TO MONTH OF ASSEMBLY (A) FROM MONTH OF ASSEMBLY A = 07.2009 B = 7 DIN 34800 -BM12X75-10.9-ZNAL-A
951	01180235	2	screw - FROM MONTH OF ASSEMBLY SEE POS. ( B ) - UP TO MONTH OF ASSEMBLY ( A ) FROM MONTH OF ASSEMBLY A = 07.2009 B= Pos.8 H 2032 -HBM16X75-10.9-GESCHW

003 ©



**ACCESSORIES**

Fig.	P/n	QTY	Name
------	-----	-----	------

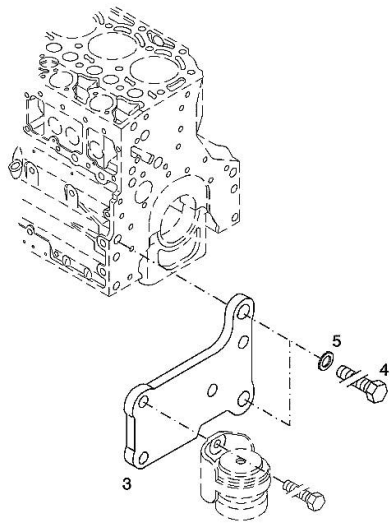
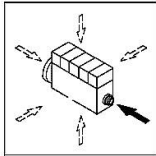
Notes:  
[XL130]

**Engine serial number:**

10087267 10118203 10118205 10155090 10221194 10240925 10241963 10241965 10246879 10505132 10517550  
10517554

3	04288660	1	support
4	01148261	2	screw ISO 4017 -M16X40-10.9-ZNAL-A
5	01181400	2	washer H 2308 -18X25X1,5-A4C

003 ©

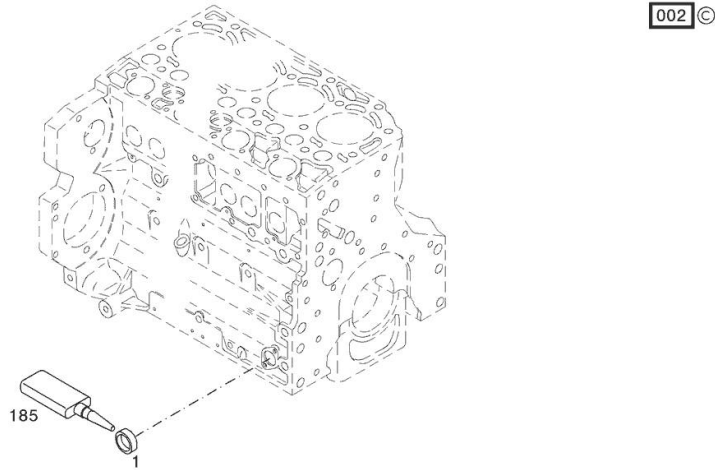
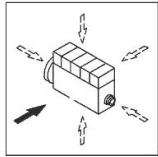


**PLUG**

Fig.	P/n	QTY	Name
------	-----	-----	------

Notes:  
[XL130]

1	01148031	1	plug DIN 443 -A36-ZNPHR
185	01319911	1	sealing compound ml. 50



**PISTON COOL.NOZZLE**

Fig.	P/n	QTY	Name
------	-----	-----	------

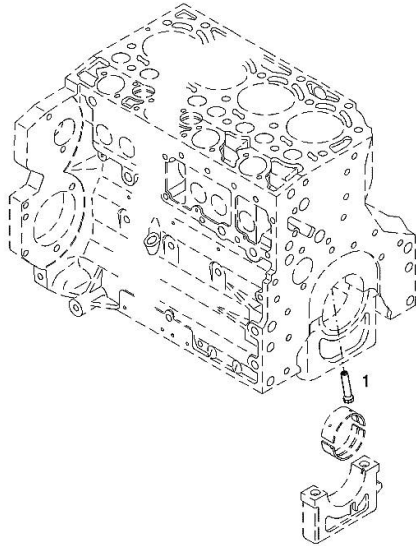
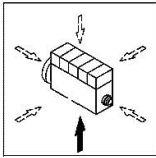
Notes:  
[XL130]

**Engine serial number:**

10087267 10118203 10118205 10155090 10221194 10240925 10241963 10241965 10246879 10505132 10517550  
10517554

1	04207521	1	sprayers
---	----------	---	----------

001 ©



**FILLER CAP**

Fig.	P/n	QTY	Name
------	-----	-----	------

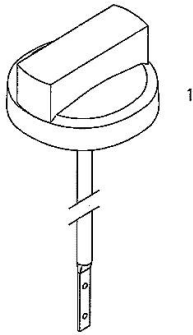
Notes:  
[XL130]

**Engine serial number:**

10087267 10118203 10118205 10155090 10221194 10240925 10241963 10241965 10246879 10505132 10517550  
10517554

1	01180341	1	plug H 2875 -B2-OL40-166X4X145X15
---	----------	---	--------------------------------------

000



**BLEEDING TUBE**

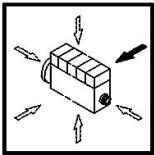
Fig.	P/n	QTY	Name
------	-----	-----	------

Notes:  
[XL130]

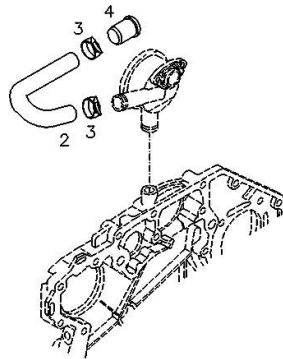
**Engine serial number:**

10087267 10118203 10118205 10155090 10221194 10240925 10241963 10241965 10246879 10505132 10517550  
10517554

2	04198572	1	tube
3	01178750	2	clamp DIN 3021 -A-29X15
4	01167329	1	bottom H 2873 -A24,6X21,5X25-PEWEICH



000 ©



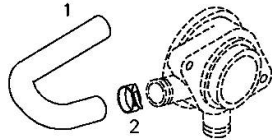
**BLEEDING TUBE**

Fig.	P/n	QTY	Name
------	-----	-----	------

Notes:  
[XL130]

1	04198572	1	tube
2	01178750	1	clamp DIN 3021 -A-29X15

000



**FLANGE**

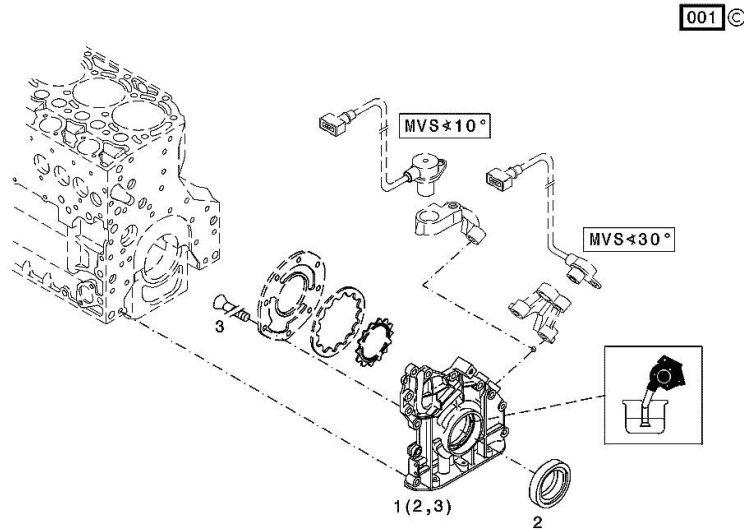
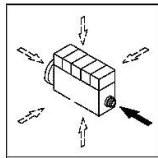
Fig.	P/n	QTY	Name
------	-----	-----	------

Notes:  
[XL130]

**Engine serial number:**

10087267 10118203 10118205 10155090 10221194 10240925 10241963 10241965 10246879 10505132 10517550  
10517554

1	04258382	1	oil pump kpl. WITH POS.... (2,3)
2	04253372	1	oil seal
3	01133718	1	screw DIN 7991 -M6X16-8.8-A4C



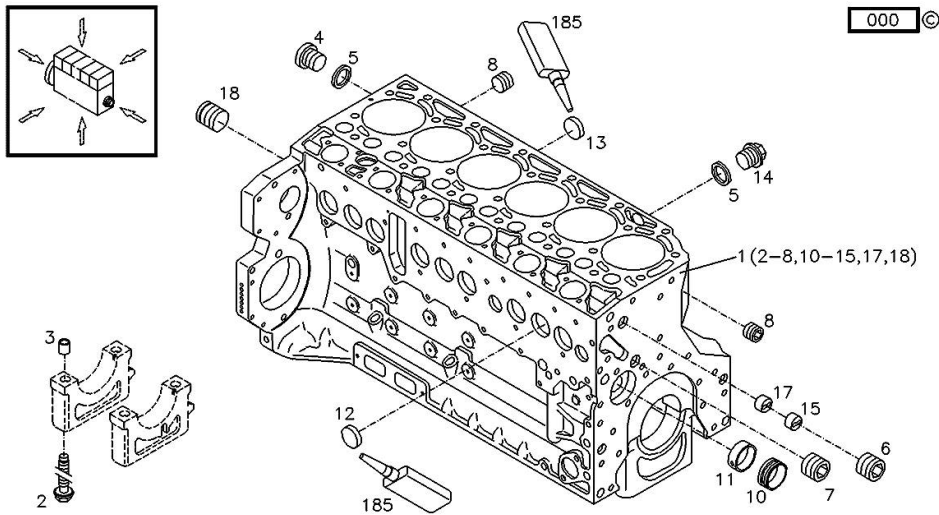


**CRANKCASE**

Fig.	P/n	QTY	Name
------	-----	-----	------

Notes:  
[XL130]

1	04282838	1	crankcase WITH POS.... (2-8,10-15,17,18)
2	04254240	14	screw
3	04160764	14	bushing
4	01110423	1	screw DIN 908 -M14X1,5-ST-ZNPHRF
5	01118693	3	gasket 14x20 DIN 7603 -A14X20-CU
6	01182033	1	screw H 2812 -906-M30X1,5-ST-A3C-LOCTITE506
7	01182032	1	screw H 2812 -906-M22X1,5-ST-A3C-LOCTITE506
8	01182031	2	screw H 2812 -906-M14X1,5-ST-A3C-LOCTITE506
10	04251884	6	plug
11	04250086	1	ring
12	01148032	9	cover DIN 443 -A45-ZNPHR
13	01148031	6	plug DIN 443 -A36-ZNPHR
14	01100940	2	screw DIN 7604 -AM14X1,5-ST-A4C
15	04202518	1	sleeve
17	04202517	1	sleeve
18	04226536	1	bottom
185	01016127	1	sealing compound ml. 50 H 0699 -DEUTZDW72-50ML



Thank you so much for reading.  
Please click the “Buy Now!”  
button below to download the  
complete manual.



After you pay.

You can download the most  
perfect and complete manual in  
the world immediately.

Our support email:

[ebooklibonline@outlook.com](mailto:ebooklibonline@outlook.com)