

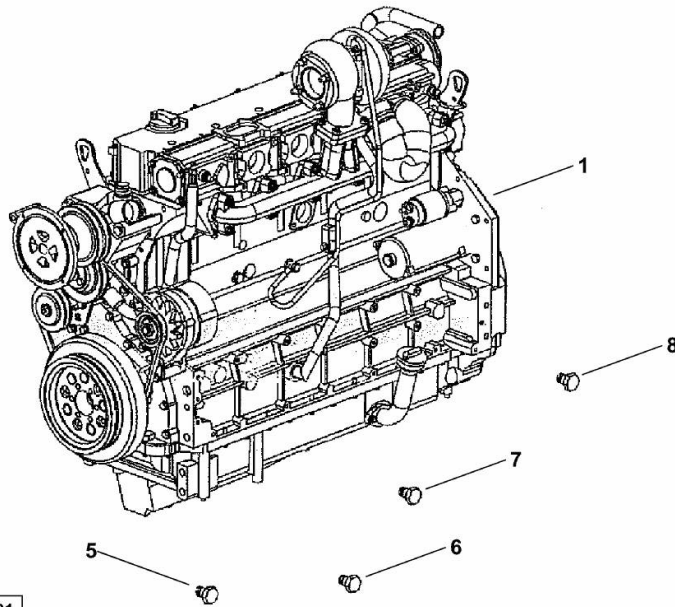
ENGINE

Fig.	P/n	QTY	Name
------	-----	-----	------

Notes:

- EXPORT U.S.A. [XL150.7]

1	25004687	1	new engine >100 kw ON ORDERING PLEASE ENGINE NO. REQUIRED
5	01167308	4	plug 7.2x5.2x9
6	01167312	3	plug 10.3x8 x17
7	01167315	1	plug 12.4x10x17
8	01167322	8	bottom 18.4x15.5x25



K9_N2719_02_0-A-001

FASTENINGS

Fig.	P/n	QTY	Name
------	-----	-----	------

Notes:
[XL150.7]

Engine serial number:

10144327 10150442 10210502 10210506 10211849 10211853 10234042 10238792 10241816 10244854 10244855
10266461

3	04910582	1	gasket
4	01143362	14	screw
			5 Nm, 30 Nm consult workshop manual 5 Nm, 21 Nm consult workshop manual EN 1662 -F-M8X35-10.9-A4C
5	01181406	1	bushing H 2341 -B11X8-FE/ZN12C*

001 ©

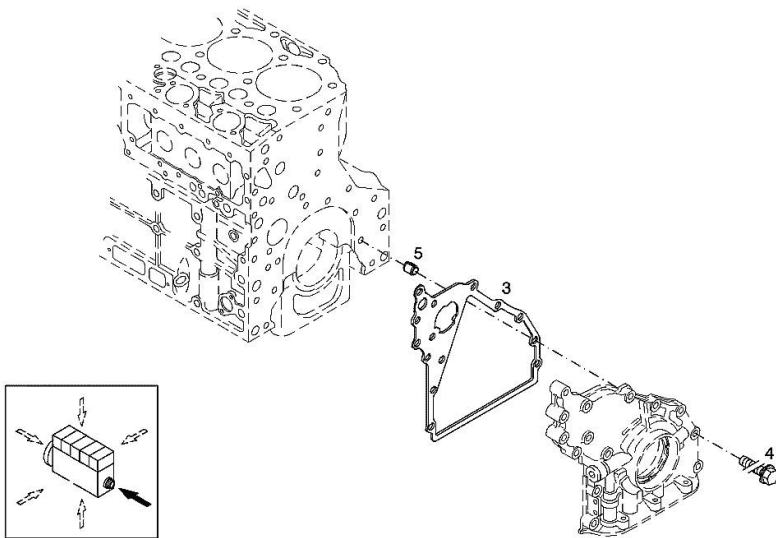
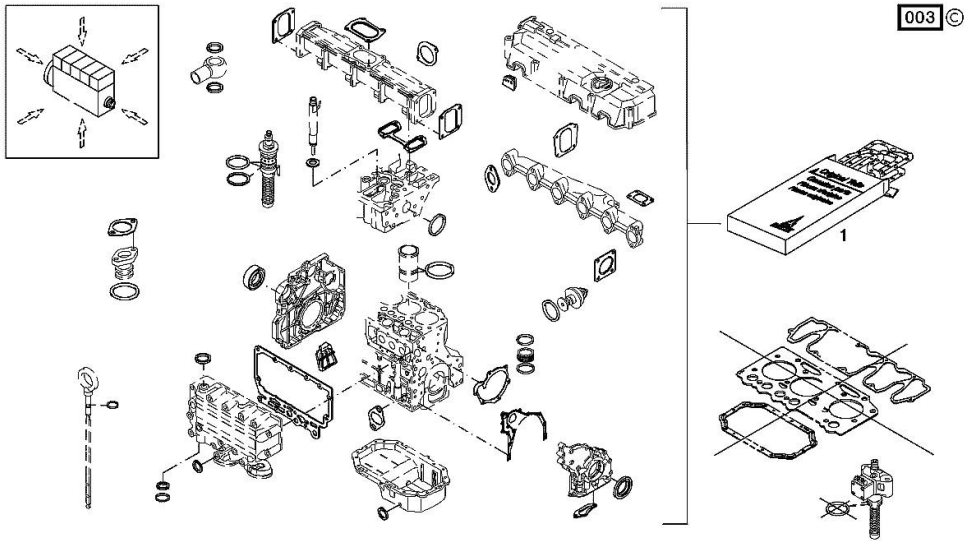


Fig.	P/n	QTY	Name
------	-----	-----	------

Notes:
 [XL150.7]

Engine serial number:
 10144327 10150442 10210502 10210506 10211849 10211853 10234042 10238792 10241816 10244854 10244855
 10266461

1	02937627	1	gasket set The gasket kit does not contain: GASKET IN FIG. (SM 0199-99-9449)
---	----------	---	---



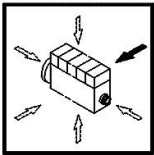
Section: B0 - ENGINE
BLEEDING TUBE

Fig.	P/n	QTY	Name
------	-----	-----	------

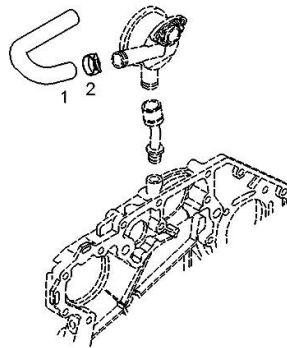
Notes:
 [XL150.7]

Engine serial number:
 10144327 10150442 10210502 10210506 10211849 10211853 10234042 10238792 10241816 10244854 10244855
 10266461

1	04198572	1	tube
2	01178750	1	clamp DIN 3021 -A-29X15



000 ©



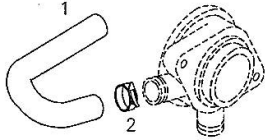
BLEEDING TUBE

Fig.	P/n	QTY	Name
------	-----	-----	------

Notes:
[XL150.7]

1	04198572	1	tube
2	01178750	3	clamp DIN 3021 -A-29X15

001



Section: B0 - ENGINE
CRANKCASE BREATHER

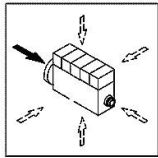
Fig.	P/n	QTY	Name
------	-----	-----	------

Notes:
 [XL150.7]

Engine serial number:

10144327 10150442 10210502 10210506 10211849 10211853 10234042 10238792 10241816 10244854 10244855
 10266461

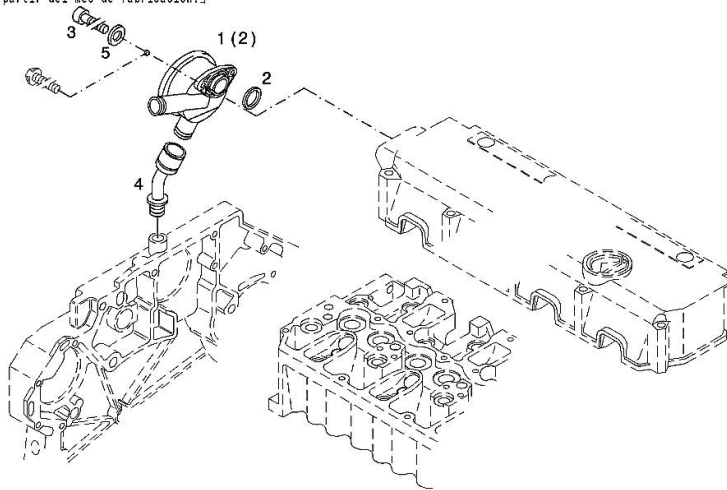
1	04255055	1	valve WITH POS.... (2)
2	04207649	1	ring
3	01148431	2	screw - FROM THE MONTH OF ASSEMBLY SEE POS. (B) - UP TO THE MONTH OF ASSEMBLY (A) FROM THE MONTH OF ASSEMBLY A = 09.1995 B = POS. 950 ISO 4762 -M6X20-8.8-ZNAL-A
4	04207290	1	pipng
5	01124654	2	washer 6,4 d433 ISO 7092 -6-140HV-A4C*
950	01181965	2	screw - UP TO MONTH OF ASSEMBLY (A) - FROM MONTH OF ASSEMBLY SEE POS. (B) A = 08.1995 B = POS. 3 EN 1662 -F-M6X20-10.9-ZNAL-A



ab Baumont:
 from month of manufacture:
 a partir mois de montage:
 a partir del mes de fabricacion:

09.95

002 ©



CRANKCASE

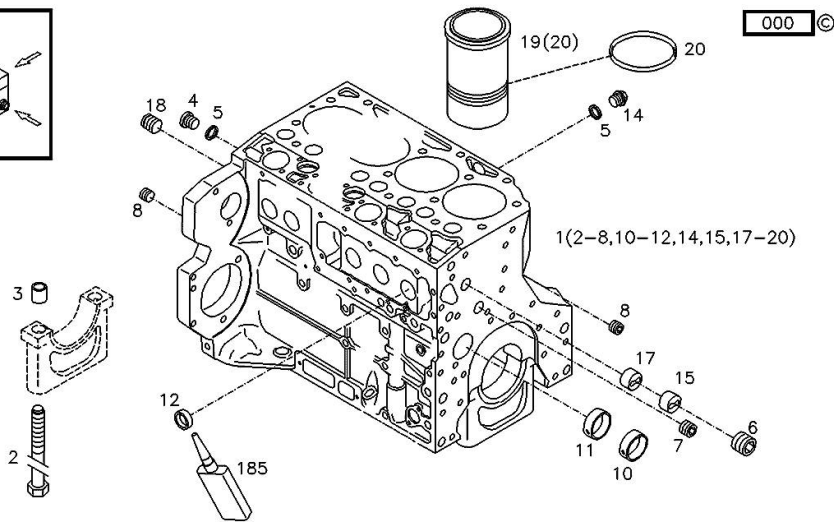
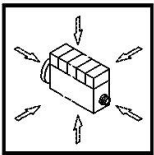
Fig.	P/n	QTY	Name
------	-----	-----	------

Notes:
[XL150.7]

Engine serial number:

10144327 10150442 10210502 10210506 10211849 10211853 10234042 10238792 10241816 10244854 10244855
10266461

1	04282827	1	crankcase WITH POS.... (2-8,10-12,14,15,17-20)
2	04251254	14	screw
3	04200078	14	bushing
4	01110423	2	screw DIN 908 -M14X1,5-ST-ZNPHRF
5	01118693	4	gasket 14x20 DIN 7603 -A14X20-CU
6	01182033	1	screw H 2812 -906-M30X1,5-ST-A3C-LOCTITE506
7	01182032	1	screw H 2812 -906-M22X1,5-ST-A3C-LOCTITE506
8	01182031	2	screw H 2812 -906-M14X1,5-ST-A3C-LOCTITE506
10	04200021	6	bushing
11	04200022	1	bushing
12	01179635	10	plug H 2860 -A45-ST-FE/ZNPHR
14	01100940	2	screw DIN 7604 -AM14X1,5-ST-A4C
15	04202518	1	sleeve
17	04202517	1	sleeve
18	01181155	1	plug H 2812 -2838-M22X1,5-ST-A4C-PRE80
19	04282014	6	cylinder liner WITH POS.... (20) 032 (021-025,031,141)
20	01181178	12	special oil seal H 2927 -112X3,0-FPM-2-70
185	01016127	1	sealing compound ml. 50 H 0699 -DEUTZDW72-50ML



0507 8215

ACCESSORIES

Fig.	P/n	QTY	Name
------	-----	-----	------

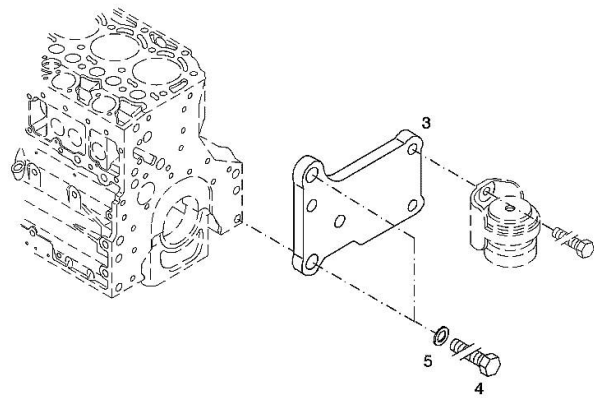
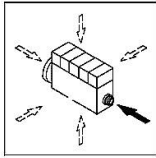
Notes:
[XL150.7]

Engine serial number:

10144327 10150442 10210502 10210506 10211849 10211853 10234042 10238792 10241816 10244854 10244855
10266461

3	04288659	1	support
4	01148261	2	screw ISO 4017 -M16X40-10.9-ZNAL-A
5	01181400	2	washer H 2308 -18X25X1,5-A4C

006 ©



OIL FILLER NECK

Fig.	P/n	QTY	Name
------	-----	-----	------

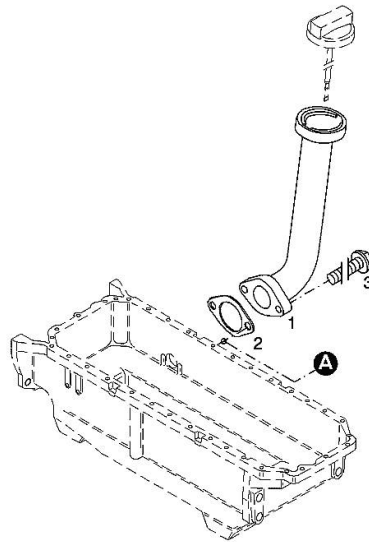
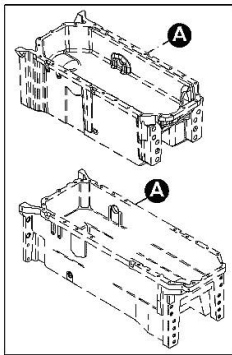
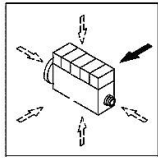
Notes:
[XL150.7]

Engine serial number:

10144327 10150442 10210502 10210506 10211849 10211853 10234042 10238792 10241816 10244854 10244855
10266461

1	04207099	1	tube
2	01178421	1	gasket DIN 71511 -35X58X1,5-DEUTZFW31
3	01181433	2	screw 30 Nm EN 1662 -F-M8X20-LG2,5-10.9-ZNAL-A

001 ©



ACCESSORIES

Fig.	P/n	QTY	Name
------	-----	-----	------

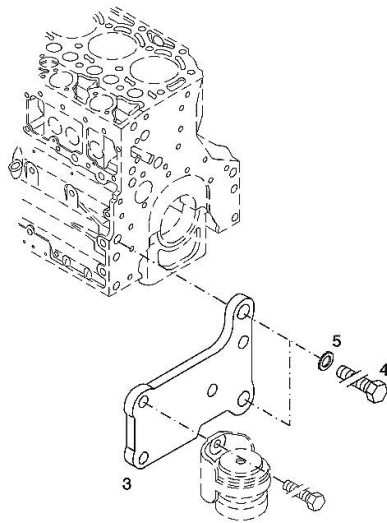
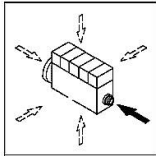
Notes:
[XL150.7]

Engine serial number:

10144327 10150442 10210502 10210506 10211849 10211853 10234042 10238792 10241816 10244854 10244855
10266461

3	04288660	1	support
4	01148261	2	screw ISO 4017 -M16X40-10.9-ZNAL-A
5	01181400	2	washer H 2308 -18X25X1,5-A4C

003 ©

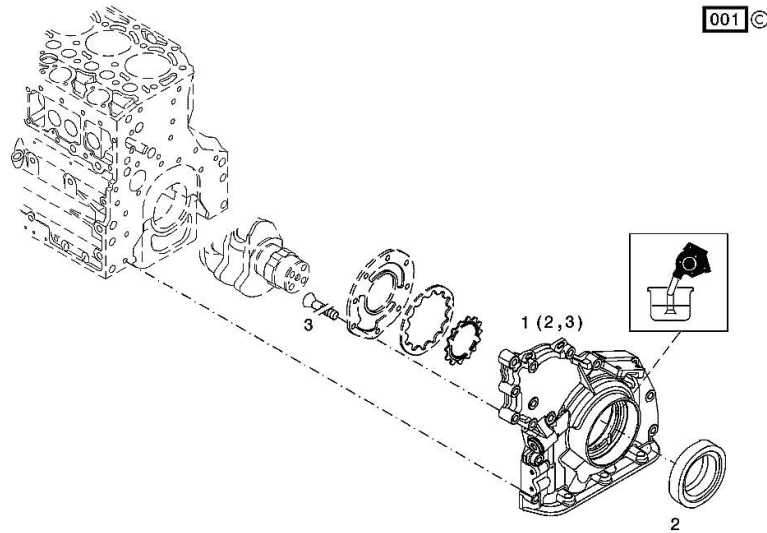
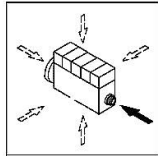


FRONT COVER

Fig.	P/n	QTY	Name
------	-----	-----	------

Notes:
[XL150.7]

1	04259226	1	cover WITH POS.... (2,3)
2	04253373	1	oil seal
3	01133718	8	screw DIN 7991 -M6X16-8.8-A4C

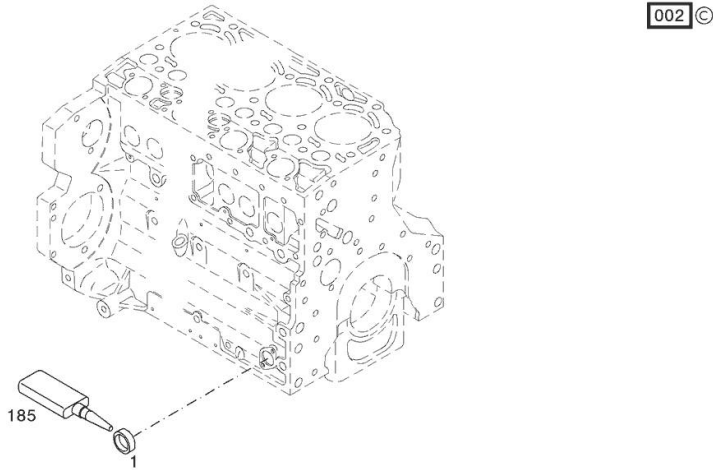
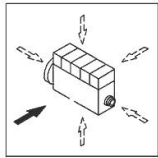


PLUG

Fig.	P/n	QTY	Name
------	-----	-----	------

Notes:
[XL150.7]

1	01148031	1	plug DIN 443 -A36-ZNPHR
185	01319911	1	sealing compound ml. 50



FILLER CAP

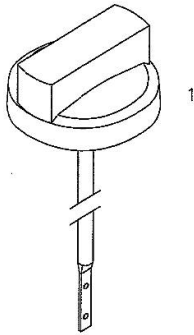
Fig.	P/n	QTY	Name
------	-----	-----	------

Notes:
[XL150.7]

Engine serial number:
10144327 10150442 10210502 10210506 10211849 10211853 10234042 10238792 10241816 10244854 10244855
10266461

1	01180286	1	plug H 2875 -B2-OL40-166X4-130X12
---	----------	---	--------------------------------------

000



FRONT COVER

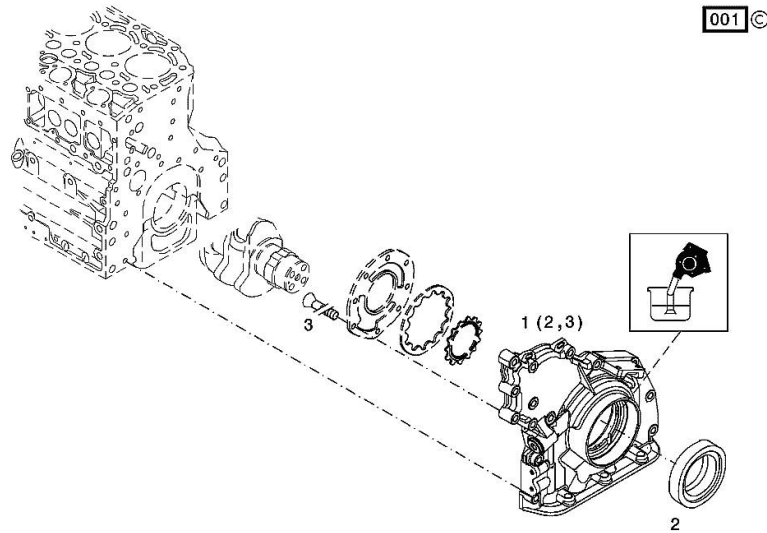
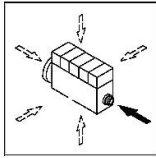
Fig.	P/n	QTY	Name
------	-----	-----	------

Notes:
[XL150.7]

Engine serial number:

10144327 10150442 10210502 10210506 10211849 10211853 10234042 10238792 10241816 10244854 10244855
10266461

1	04289742	1	cap WITH POS.... (2,3)
2	04253373	1	oil seal
3	01133718	8	screw DIN 7991 -M6X16-8.8-A4C

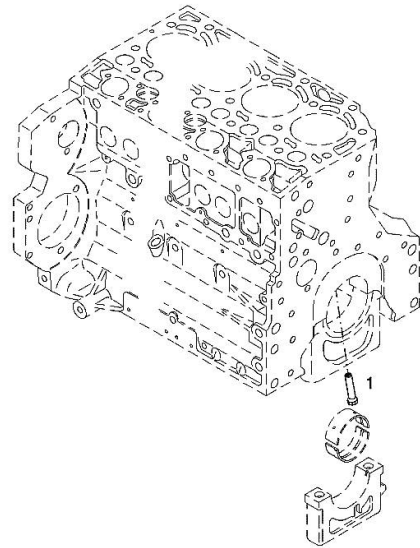
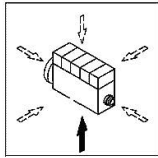


PISTON COOL.NOZZLE

Fig.	P/n	QTY	Name
------	-----	-----	------

Notes:
[XL150.7]

1	04207521	1	sprayers
---	----------	---	----------



001 ©

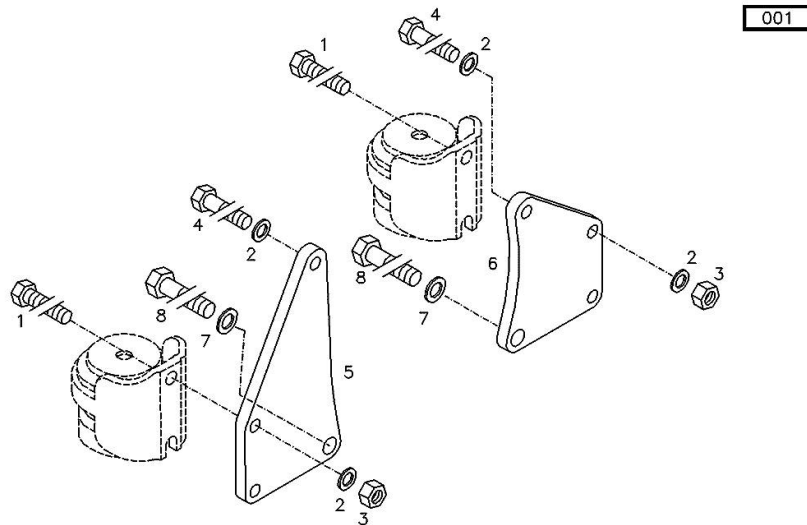
ACCESSORIES

Fig.	P/n	QTY	Name
------	-----	-----	------

Notes:
[XL150.7]

Engine serial number:

10144327 10150442 10210502 10210506 10211849 10211853 10234042 10238792 10241816 10244854 10244855
10266461



0607 0690

1	01151550	4	screw UP TO MONTH OF ASSEMBLY 07.1997 DIN 933 -M12X40-8.8
2	01182016	6	disc H 2308 -13X24X3-ZNAL-A
3	01112860	4	nut UP TO MONTH OF ASSEMBLY 07.1997 DIN 934 -M12-8
4	01111537	2	screw - UP TO MONTH OF ASSEMBLY (A) - FROM MONTH OF ASSEMBLY SEE POS. (B) A = 06.2009 B = POS. 950 DIN 931 -M12X85-10.9-OELGESCHW
5	04206926	1	plate dx/rh/re
6	04206927	1	plate sx/lh/li
7	01181400	2	washer H 2308 -18X25X1,5-A4C
8	01144585	2	screw UP TO MONTH OF ASSEMBLY (A) - FROM MONTH OF ASSEMBLY SEE POS. (B) A = 06.2009 B = POS. 951 ISO 4014 -M16X85-10.9-OELGESCHW
950	01181428	2	screw - FROM MONTH OF ASSEMBLY SEE POS. (B) - UP TO MONTH OF ASSEMBLY (A) FROM MONTH OF ASSEMBLY A = 07.2009 B = Pos.4 H 2032 -HBM12X85-10.9-ZNAL-A
951	01181397	2	screw - FROM MONTH OF ASSEMBLY SEE POS. (B) - UP TO MONTH OF ASSEMBLY (A) FROM MONTH OF ASSEMBLY A = 07.2009 B= Pos.8 H 2032 -HBM16X85-10.9-A4C-W

Thank you so much for reading.
Please click the “Buy Now!”
button below to download the
complete manual.



After you pay.

You can download the most
perfect and complete manual in
the world immediately.

Our support email:

ebooklibonline@outlook.com