

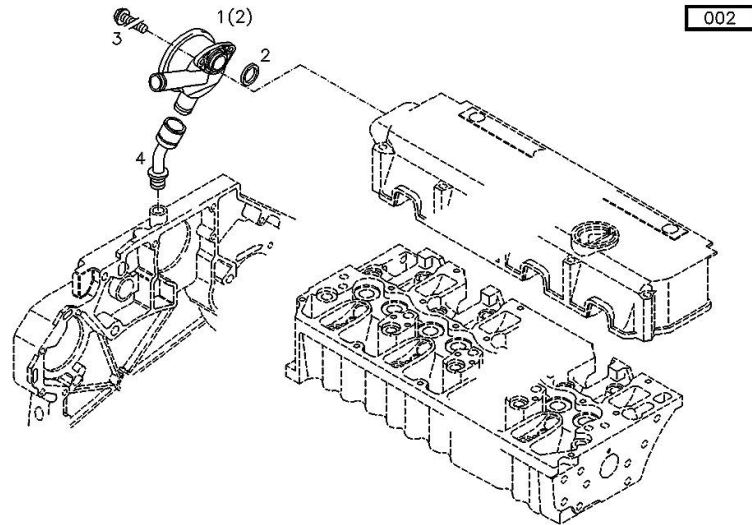
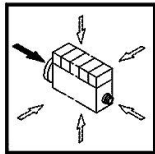
Section: B0 - ENGINE  
**CRANKCASE BREATHER**

Fig.	P/n	QTY	Name
------	-----	-----	------

Notes:  
 [XL150]

**Engine serial number:**

10093362 10126137 10246202 10257736 10257745 10257750 10257758 10257760 10281547 10293661 10293675  
 10293683 10293685 10293688 10294924 10538555 10538575 10538691 10598074 10598075 10602823 10695393  
 10695394 10729979 10729980 10739809



1	04203321	1	valve WITH POS.... (2)
2	04206233	1	gasket
3	01148431	2	screw - FROM THE MONTH OF ASSEMBLY SEE POS. ( B ) - UP TO THE MONTH OF ASSEMBLY ( A ) FROM THE MONTH OF ASSEMBLY A = 09.1995 B = POS. 950 ISO 4762 -M6X20-8.8-ZNAL-A
4	04207290	1	piping
5	01124654	2	washer 6,4 d433 ISO 7092 -6-140HV-A4C*
950	01181965	2	screw - UP TO MONTH OF ASSEMBLY ( A ) - FROM MONTH OF ASSEMBLY SEE POS. ( B ) A = 08.1995 B = POS. 3 EN 1662 -F-M6X20-10.9-ZNAL-A

**ACCESSORIES**

Fig.	P/n	QTY	Name
------	-----	-----	------

Notes:  
[XL150]

**Engine serial number:**

10093362 10126137 10246202 10257736 10257745 10257750 10257758 10257760 10281547 10293661 10293675  
10293683 10293685 10293688 10294924 10538555 10538575 10538691 10598074 10598075 10602823 10695393  
10695394 10729979 10729980 10739809

3	04288659	1	support
4	01148261	2	screw ISO 4017 -M16X40-10.9-ZNAL-A
5	01181400	2	washer H 2308 -18X25X1,5-A4C

006 ©

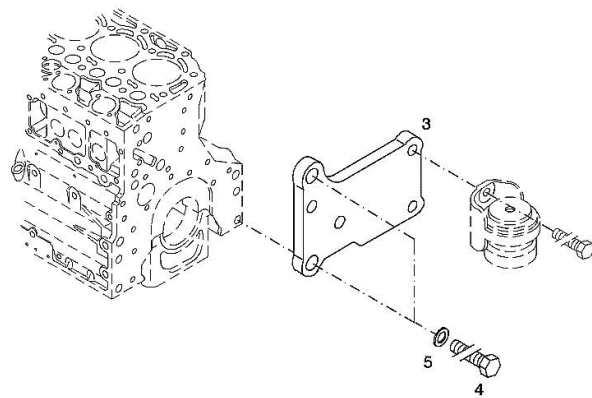
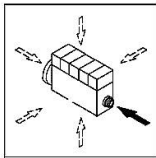


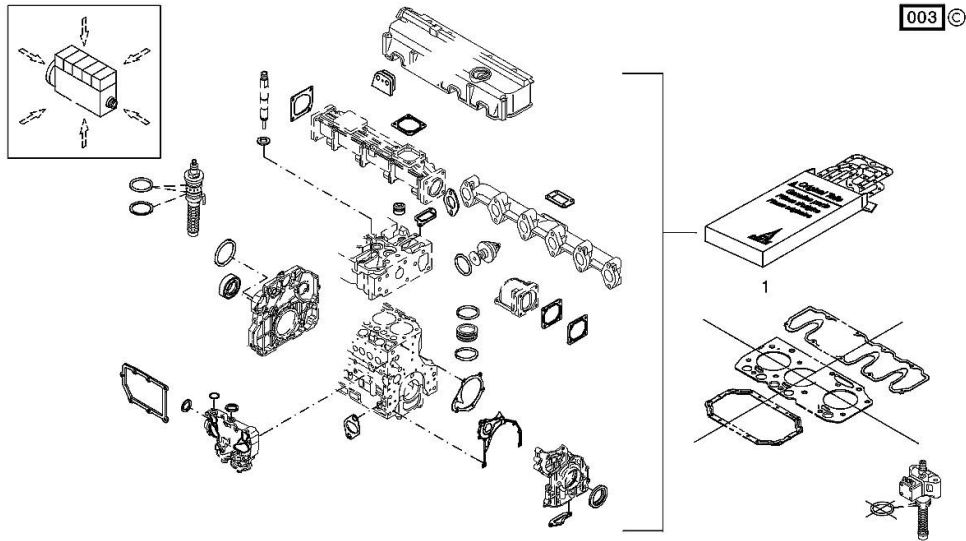
Fig.	P/n	QTY	Name
------	-----	-----	------

Notes:  
 [XL150]

**Engine serial number:**

10093362 10126137 10246202 10257736 10257745 10257750 10257758 10257760 10281547 10293661 10293675  
 10293683 10293685 10293688 10294924 10538555 10538575 10538691 10598074 10598075 10602823 10695393  
 10695394 10729979 10729980 10739809

1	02937586	1	gasket set THE KIT DOES NOT CONTAIN ALL THE GASKETS: SEE SM 0199-99-9449
---	----------	---	--



**OIL FILLER NECK**

Fig.	P/n	QTY	Name
------	-----	-----	------

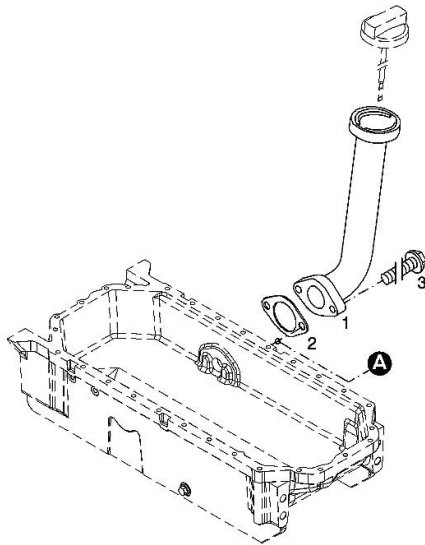
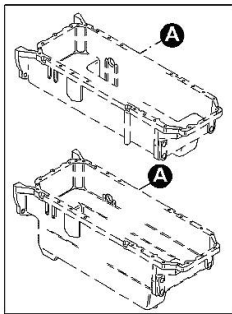
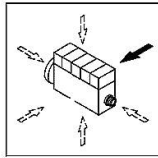
Notes:  
[XL150]

**Engine serial number:**

10093362 10126137 10246202 10257736 10257745 10257750 10257758 10257760 10281547 10293661 10293675  
10293683 10293685 10293688 10294924 10538555 10538575 10538691 10598074 10598075 10602823 10695393  
10695394 10729979 10729980 10739809

1	04207099	1	tube
2	01178421	1	gasket
3	01181433	2	screw
			30 Nm

001 ©



**ACCESSORIES**

Fig.	P/n	QTY	Name
------	-----	-----	------

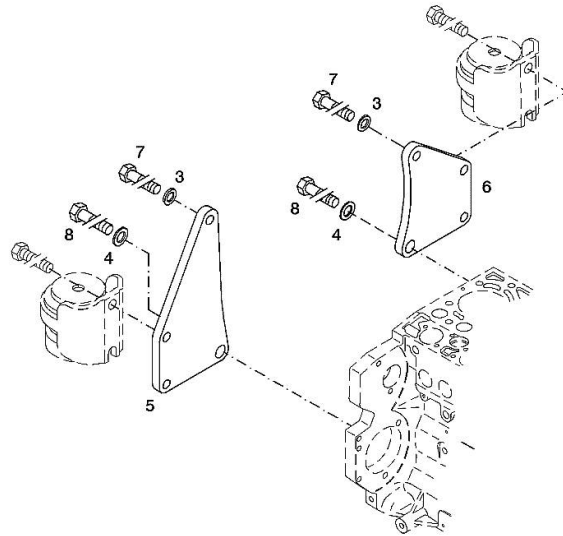
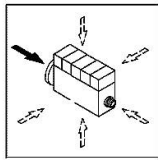
Notes:  
[XL150]

**Engine serial number:**

10093362 10126137 10246202 10257736 10257745 10257750 10257758 10257760 10281547 10293661 10293675  
10293683 10293685 10293688 10294924 10538555 10538575 10538691 10598074 10598075 10602823 10695393  
10695394 10729979 10729980 10739809

003 ©

3	01182016	2	disc H 2308 -13X24X3-ZNAL-A
4	01181400	2	washer H 2308 -18X25X1,5-A4C
5	04206926	1	plate dx/rh/re
6	04206927	1	plate sx/lh/li
7	01148137	2	screw - UP TO MONTH OF ASSEMBLY ( A ) - FROM MONTH OF ASSEMBLY SEE POS. ( B ) A = 06.2009 B = POS. 950 DIN 931 -M12X75-10.9-ZNAL-A
8	01148037	2	screw UP TO MONTH OF ASSEMBLY ( A ) - FROM MONTH OF ASSEMBLY SEE POS. ( B ) A = 06.2009 B = POS. 951 ISO 4014 -M16X75-10.9-OELGESCHW
950	01149017	2	screw - FROM MONTH OF ASSEMBLY SEE POS. ( B ) - UP TO MONTH OF ASSEMBLY (A) FROM MONTH OF ASSEMBLY A = 07.2009 B = 7 DIN 34800 -BM12X75-10.9-ZNAL-A
951	01180235	2	screw - FROM MONTH OF ASSEMBLY SEE POS. ( B ) - UP TO MONTH OF ASSEMBLY ( A ) FROM MONTH OF ASSEMBLY A = 07.2009 B= Pos.8 H 2032 -HBM16X75-10.9-GESCHW



**ACCESSORIES**

Fig.	P/n	QTY	Name
------	-----	-----	------

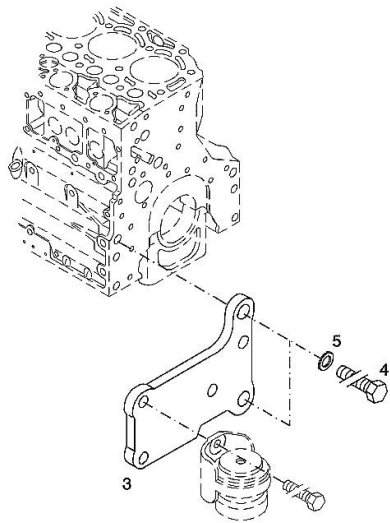
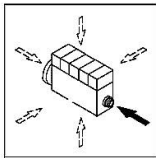
Notes:  
[XL150]

**Engine serial number:**

10093362 10126137 10246202 10257736 10257745 10257750 10257758 10257760 10281547 10293661 10293675  
10293683 10293685 10293688 10294924 10538555 10538575 10538691 10598074 10598075 10602823 10695393  
10695394 10729979 10729980 10739809

3	04288660	1	support
4	01148261	2	screw ISO 4017 -M16X40-10.9-ZNAL-A
5	01181400	2	washer H 2308 -18X25X1,5-A4C

003 ©

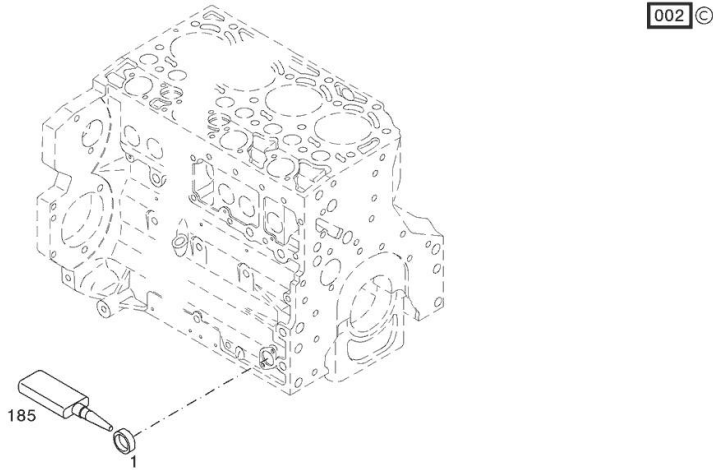
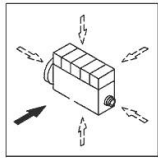


**PLUG**

Fig.	P/n	QTY	Name
------	-----	-----	------

Notes:  
[XL150]

1	01148031	1	plug DIN 443 -A36-ZNPHR
185	01319911	1	sealing compound ml. 50



**PISTON COOL.NOZZLE**

Fig.	P/n	QTY	Name
------	-----	-----	------

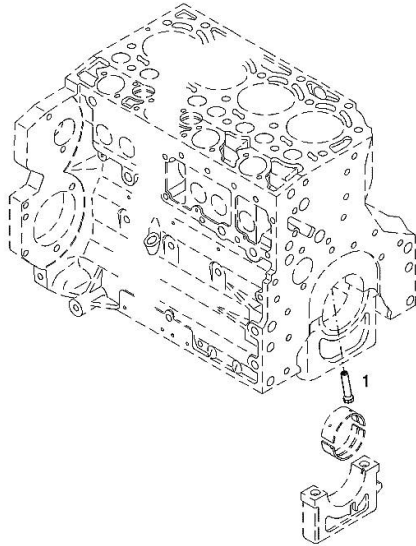
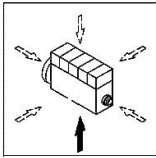
Notes:  
[XL150]

**Engine serial number:**

10093362 10126137 10246202 10257736 10257745 10257750 10257758 10257760 10281547 10293661 10293675  
10293683 10293685 10293688 10294924 10538555 10538575 10538691 10598074 10598075 10602823 10695393  
10695394 10729979 10729980 10739809

1	04207521	1	sprayers
---	----------	---	----------

001 ©





**FILLER CAP**

Fig.	P/n	QTY	Name
------	-----	-----	------

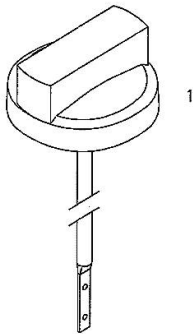
Notes:  
[XL150]

**Engine serial number:**

10093362 10126137 10246202 10257736 10257745 10257750 10257758 10257760 10281547 10293661 10293675  
10293683 10293685 10293688 10294924 10538555 10538575 10538691 10598074 10598075 10602823 10695393  
10695394 10729979 10729980 10739809

1	01180341	1	plug H 2875 -B2-OL40-166X4X145X15
---	----------	---	--------------------------------------

000



**BLEEDING TUBE**

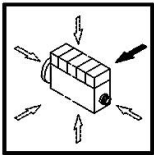
Fig.	P/n	QTY	Name
------	-----	-----	------

Notes:  
[XL150]

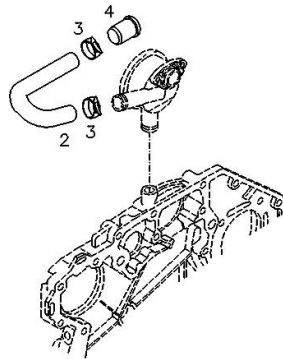
**Engine serial number:**

10093362 10126137 10246202 10257736 10257745 10257750 10257758 10257760 10281547 10293661 10293675  
10293683 10293685 10293688 10294924 10538555 10538575 10538691 10598074 10598075 10602823 10695393  
10695394 10729979 10729980 10739809

2	04198572	1	tube
3	01178750	2	clamp DIN 3021 -A-29X15
4	01167329	1	bottom H 2873 -A24,6X21,5X25-PEWEICH



000 ©

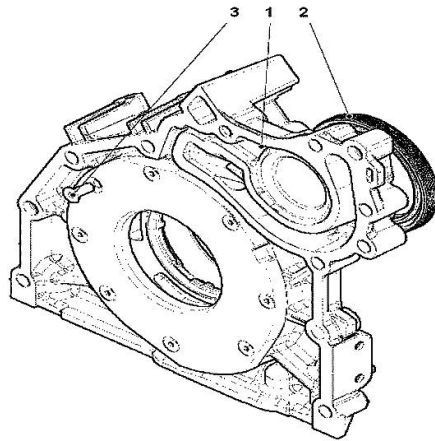


**FLANGE**

Fig.	P/n	QTY	Name
------	-----	-----	------

Notes:  
[XL150]

1	04502445	1	oil pump WITH POS.... (2,3)
2	04502202	1	special oil seal
3	01133718	8	screw 8.5 Nm DIN 7991 -M6X16-8.8-A4C



000

Thank you so much for reading.  
Please click the “Buy Now!”  
button below to download the  
complete manual.



After you pay.

You can download the most  
perfect and complete manual in  
the world immediately.

Our support email:

[ebooklibonline@outlook.com](mailto:ebooklibonline@outlook.com)