

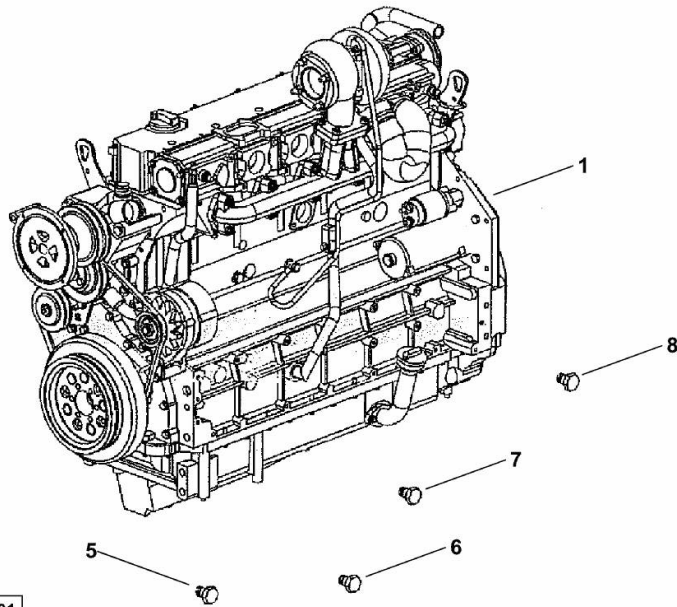
**ENGINE**

Fig.	P/n	QTY	Name
------	-----	-----	------

**Notes:**

- EXPORT U.S.A. [XL165.7]

1	25006809	1	new engine >100 kw ON ORDERING PLEASE ENGINE NO. REQUIRED
5	01167308	4	plug 7.2x5.2x9
6	01167312	3	plug 10.3x8 x17
7	01167315	1	plug 12.4x10x17
8	01167322	6	bottom 18.4x15.5x25



K9\_M9319\_02\_0-A-001

**FASTENINGS**

Fig.	P/n	QTY	Name
------	-----	-----	------

Notes:  
[XL165.7]

**Engine serial number:**

10055319 10055322 10055324 10055326 10055329 10055332 10056354 10235476 10239561 10349937 10349938  
10397717 10400606 10400615 10400617 10410823 10523223 10523224 10523231 10523238

3	04910582	1	gasket
4	01143362	14	screw
			5 Nm, 30 Nm consult workshop manual 5 Nm, 21 Nm consult workshop manual EN 1662 -F-M8X35-10.9-A4C
5	01181406	1	bushing H 2341 -B11X8-FE/ZN12C*

001 ©

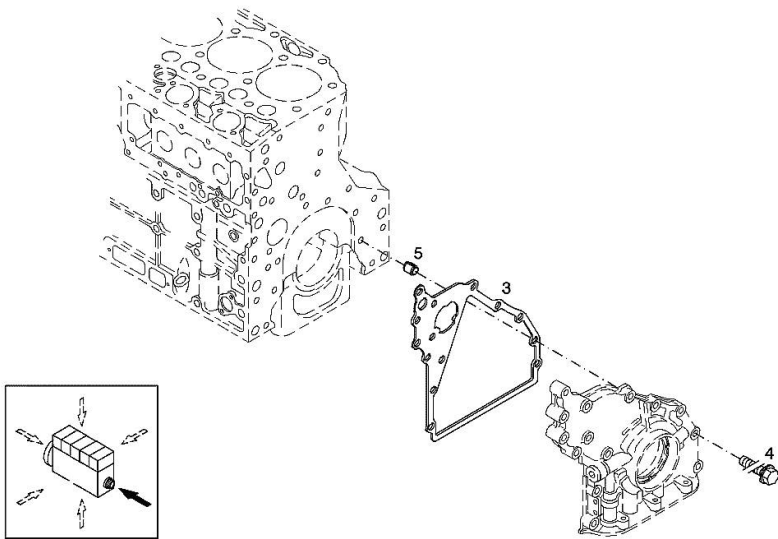


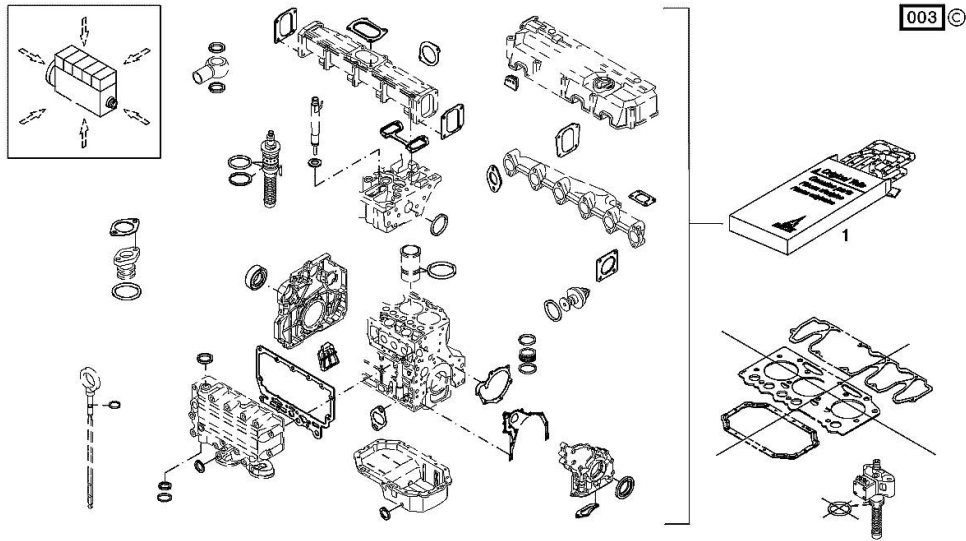
Fig.	P/n	QTY	Name
------	-----	-----	------

Notes:  
 [XL165.7]

**Engine serial number:**

10055319 10055322 10055324 10055326 10055329 10055332 10056354 10235476 10239561 10349937 10349938  
 10397717 10400606 10400615 10400617 10410823 10523223 10523224 10523231 10523238

1	02937627	1	gasket set The gasket kit does not contain: GASKET IN FIG. (SM 0199-99-9449)
---	----------	---	---



**BLEEDING TUBE**

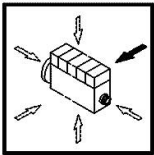
Fig.	P/n	QTY	Name
------	-----	-----	------

Notes:  
[XL165.7]

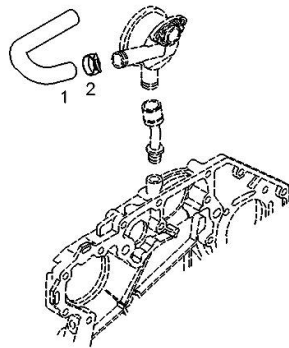
**Engine serial number:**

10055319 10055322 10055324 10055326 10055329 10055332 10056354 10235476 10239561 10349937 10349938  
10397717 10400606 10400615 10400617 10410823 10523223 10523224 10523231 10523238

1	04198572	1	tube
2	01178750	1	clamp DIN 3021 -A-29X15



000 ©



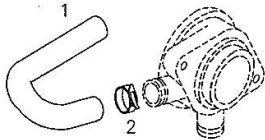
**BLEEDING TUBE**

Fig.	P/n	QTY	Name
------	-----	-----	------

Notes:  
[XL165.7]

1	04198572	1	tube
2	01178750	3	clamp DIN 3021 -A-29X15

001



Section: B0 - ENGINE  
**CRANKCASE BREATHER**

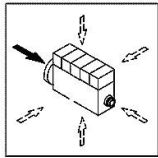
Fig.	P/n	QTY	Name
------	-----	-----	------

Notes:  
 [XL165.7]

**Engine serial number:**

10055319 10055322 10055324 10055326 10055329 10055332 10056354 10235476 10239561 10349937 10349938  
 10397717 10400606 10400615 10400617 10410823 10523223 10523224 10523231 10523238

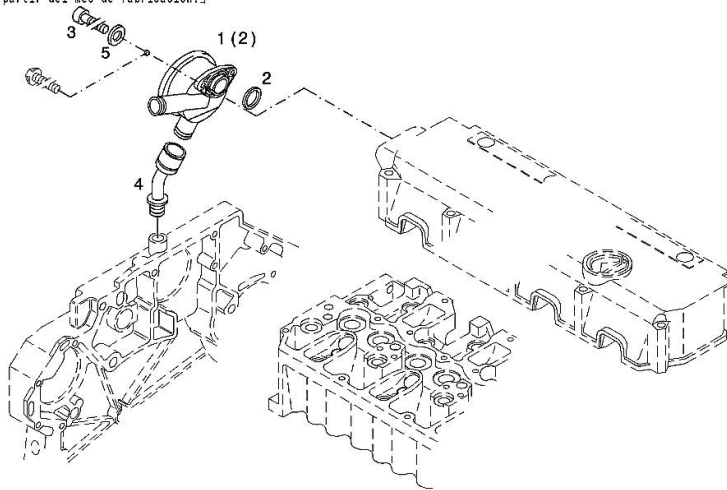
1	04255055	1	valve WITH POS.... (2)
2	04207649	1	ring
3	01148431	2	screw - FROM THE MONTH OF ASSEMBLY SEE POS. ( B ) - UP TO THE MONTH OF ASSEMBLY ( A ) FROM THE MONTH OF ASSEMBLY A = 09.1995 B = POS. 950 ISO 4762 -M6X20-8.8-ZNAL-A
4	04207290	1	pipng
5	01124654	2	washer 6,4 d433 ISO 7092 -6-140HV-A4C*
950	01181965	2	screw - UP TO MONTH OF ASSEMBLY ( A ) - FROM MONTH OF ASSEMBLY SEE POS. ( B ) A = 08.1995 B = POS. 3 EN 1662 -F-M6X20-10.9-ZNAL-A



ab Baumonat:  
 from month of manufacture:  
 a partir mois de montage:  
 a partir del mes de fabricacion:

09.95

002 ©



**CRANKCASE**

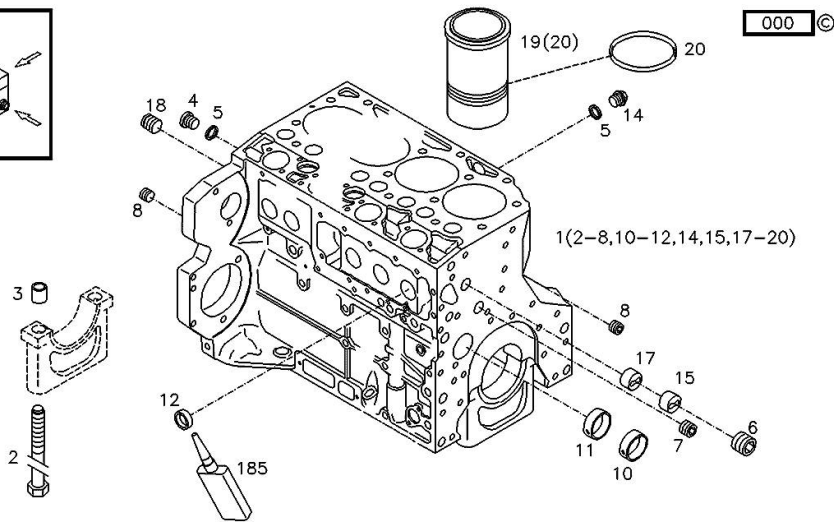
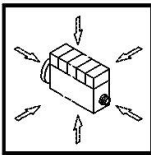
Fig.	P/n	QTY	Name
------	-----	-----	------

Notes:  
[XL165.7]

**Engine serial number:**

10055319 10055322 10055324 10055326 10055329 10055332 10056354 10235476 10239561 10349937 10349938  
10397717 10400606 10400615 10400617 10410823 10523223 10523224 10523231 10523238

1	04282827	1	crankcase WITH POS.... (2-8,10-12,14,15,17-20)
2	04251254	14	screw
3	04200078	14	bushing
4	01110423	2	screw DIN 908 -M14X1,5-ST-ZNPHRF
5	01118693	4	gasket 14x20 DIN 7603 -A14X20-CU
6	01182033	1	screw H 2812 -906-M30X1,5-ST-A3C-LOCTITE506
7	01182032	1	screw H 2812 -906-M22X1,5-ST-A3C-LOCTITE506
8	01182031	2	screw H 2812 -906-M14X1,5-ST-A3C-LOCTITE506
10	04200021	6	bushing
11	04200022	1	bushing
12	01179635	10	plug H 2860 -A45-ST-FE/ZNPHR
14	01100940	2	screw DIN 7604 -AM14X1,5-ST-A4C
15	04202518	1	sleeve
17	04202517	1	sleeve
18	01181155	1	plug H 2812 -2838-M22X1,5-ST-A4C-PRE80
19	04282014	6	cylinder liner WITH POS.... (20) 032 (021-025,031,141)
20	01181178	12	special oil seal H 2927 -112X3,0-FPM-2-70
185	01016127	1	sealing compound ml. 50 H 0699 -DEUTZDW72-50ML



0507 8215

**ACCESSORIES**

Fig.	P/n	QTY	Name
------	-----	-----	------

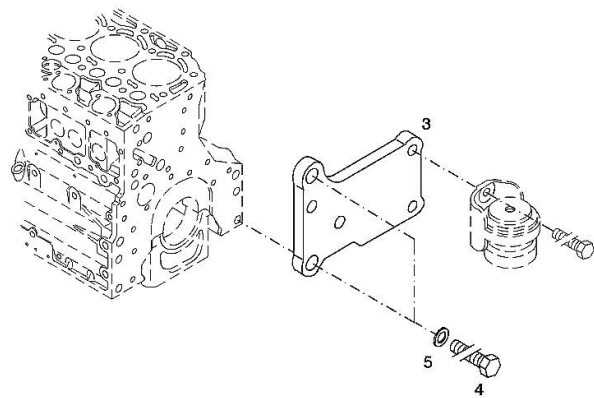
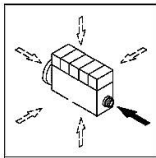
**Notes:**  
[XL165.7]

**Engine serial number:**

10055319 10055322 10055324 10055326 10055329 10055332 10056354 10235476 10239561 10349937 10349938  
10397717 10400606 10400615 10400617 10410823 10523223 10523224 10523231 10523238

3	04288659	1	support
4	01148261	2	screw ISO 4017 -M16X40-10.9-ZNAL-A
5	01181400	2	washer H 2308 -18X25X1,5-A4C

006 ©





**OIL FILLER NECK**

Fig.	P/n	QTY	Name
------	-----	-----	------

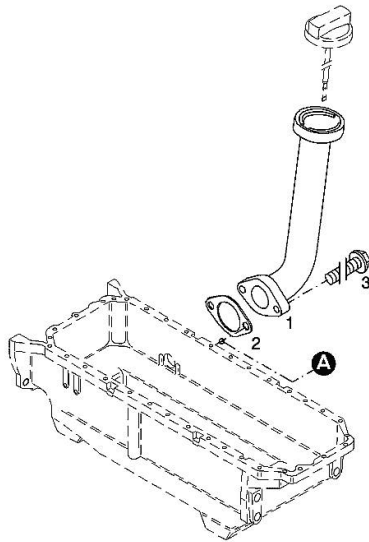
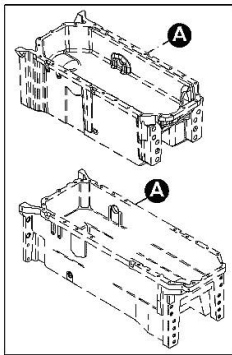
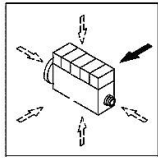
Notes:  
[XL165.7]

**Engine serial number:**

10055319 10055322 10055324 10055326 10055329 10055332 10056354 10235476 10239561 10349937 10349938  
10397717 10400606 10400615 10400617 10410823 10523223 10523224 10523231 10523238

1	04207099	1	tube
2	01178421	1	gasket DIN 71511 -35X58X1,5-DEUTZFW31
3	01181433	2	screw 30 Nm EN 1662 -F-M8X20-LG2,5-10.9-ZNAL-A

001 ©



**ACCESSORIES**

Fig.	P/n	QTY	Name
------	-----	-----	------

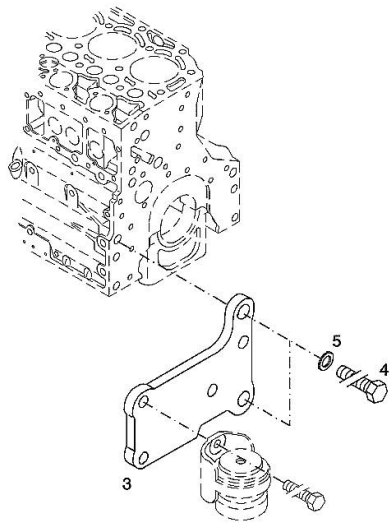
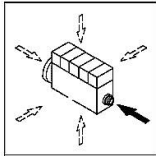
Notes:  
[XL165.7]

**Engine serial number:**

10055319 10055322 10055324 10055326 10055329 10055332 10056354 10235476 10239561 10349937 10349938  
10397717 10400606 10400615 10400617 10410823 10523223 10523224 10523231 10523238

3	04288660	1	support
4	01148261	2	screw ISO 4017 -M16X40-10.9-ZNAL-A
5	01181400	2	washer H 2308 -18X25X1,5-A4C

003 ©



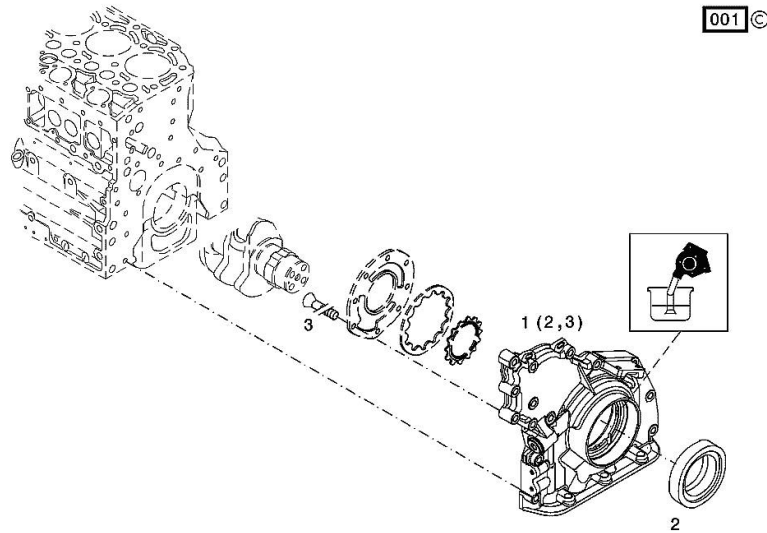
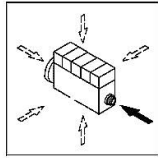
**FRONT COVER**

Fig.	P/n	QTY	Name
------	-----	-----	------

Notes:  
[XL165.7]

Engine serial number:  
10055319 10055322 10055324 10055326 10055329 10055332 10056354

1	04259226	1	cover WITH POS.... (2,3)
2	04253373	1	oil seal
3	01133718	8	screw DIN 7991 -M6X16-8.8-A4C



Thank you so much for reading.  
Please click the “Buy Now!”  
button below to download the  
complete manual.



After you pay.

You can download the most  
perfect and complete manual in  
the world immediately.

Our support email:

[ebooklibonline@outlook.com](mailto:ebooklibonline@outlook.com)