

CLUTCH - 2095 009 047

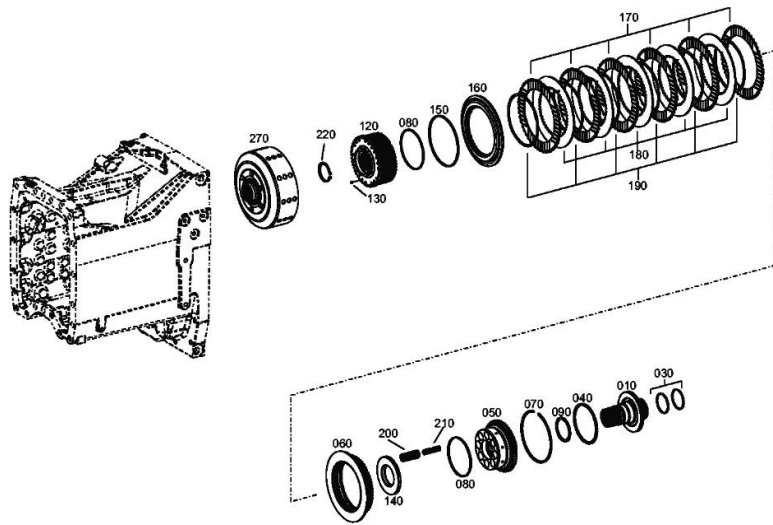


Fig.	P/n	QTY	Name
10	04431753	1	gear
30	04431754	2	oil seal
40	04431755	1	special oil seal
50	04431756	1	carrier
60	04431757	1	gear
70	04431758	1	circlip SB 143
80	04431759	2	special oil seal 106x3
90	04431760	1	special oil seal
120	04431761	1	carrier
130	04431762	20	cover
140	04431763	1	plate
150	04419171	1	washer mm 5.30
160	04416788	1	disc
170	0.900.0881.9	6	disc -> (...) - (...) <-
170	0.900.1362.9	6	disc Z = 50 -> (...)
170	04419769	6	disc Z = 10 (...) <-
180	04416795	5	thin plate
190	0.900.1281.1	6	spring -> (...)
190	04416796	1	stop (...) <-
200	0.010.3420.1	8	spring
210	04431765	8	spring
220	0.010.2609.0	1	circlip 50x3
270	0.010.3594.1	1	clutch housing (...) <-
270	0.900.1286.8	1	clutch housing -> (...)

REAR GEARBOX CASE - 2095 009 047

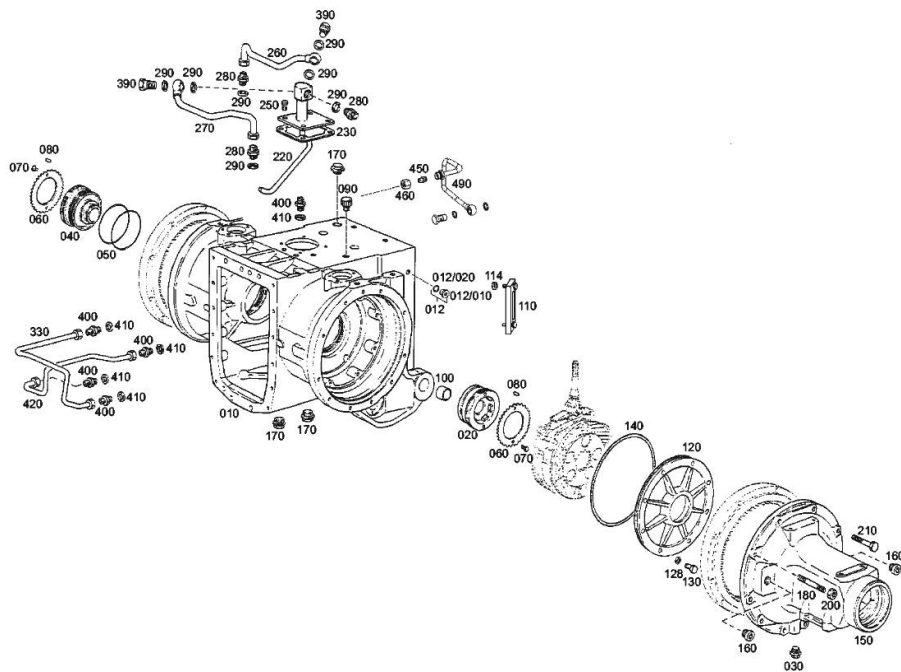
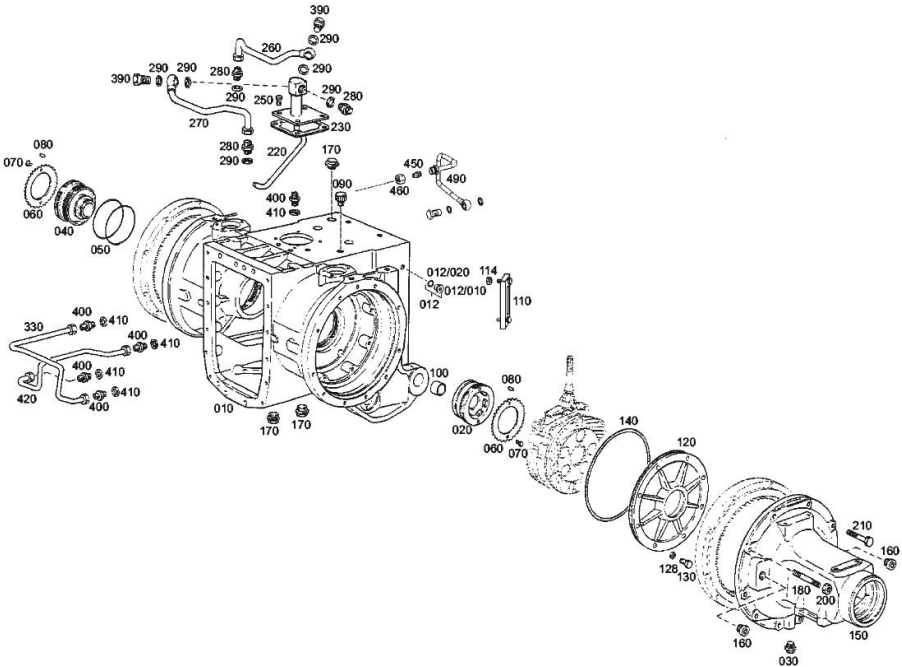


Fig.	P/n	QTY	Name
10	0.900.0288.2	1	gear box (...) <-
10	0.900.1409.0	1	gear box -> (...)
12	04434494	2	screw
12.10	0.900.0291.4	1	plug m 14 p.1.5
12.20	0.010.2627.1	1	oil seal 11x2
20	04428944	1	register
30	0.010.3849.0	2	plug (...) <-
40	04428945	1	register
50	0.900.0278.7	2	ring
60	04417449	2	plate
70	04435695	4	screw m 8 x 16
80	04435703	2	pin 5 x 20
90	04417453	1	plug
100	04417451	2	bushing
110	04419731	1	level indicator
114	04423732	2	rubber plug
120	0.900.1409.2	2	plate -> (...)
120	04428583	2	plate (...) <-
128	0.900.0277.9	4	washer
130	0.900.0279.7	16	screw m 12 x 40
140	04428220	2	oil seal 305x4
150	0.900.0957.5	2	support (...) <-
150	0.900.0993.4	2	support -> (...)
160	0.900.0001.8	2	plug (...) <-
160	0.900.0278.2	2	pin 12 x 24 -> (...)
170	0.010.3849.1	3	plug
180	04423326	4	screw
200	0.900.0281.4	4	nut m 12
210	04423325	16	screw
220	0.900.0287.4	1	tube
230	0.010.2897.1	1	gasket
250	0.010.2874.0	4	screw m 8 x 22
260	0.900.0287.5	1	tube
270	0.900.0287.6	1	tube
280	0.900.0282.3	1	pipe union

REAR GEARBOX CASE - 2095 009 047

Fig.	P/n	QTY	Name
290	0.900.0985.0	5	oil seal 18 x 24
330	04428942	1	tube
390	0.900.0282.0	2	screw
400	04417466	5	pipe fitting
410	04423731	5	oil seal 14 x 18
420	04417478	1	tube
450	0.010.3101.1	1	plug
460	04417788	1	nut
490	0.900.0490.8	1	tube
550	0.000.0000.1	2	cannot be supplied
550.10	0.010.3730.2	1	pipe union L15 m18 p.1.5 -> (...)
550.20	0.900.1239.4	1	oil seal 15.3x2.4 -> (...)



DIFFERENTIAL - 2095 009 047

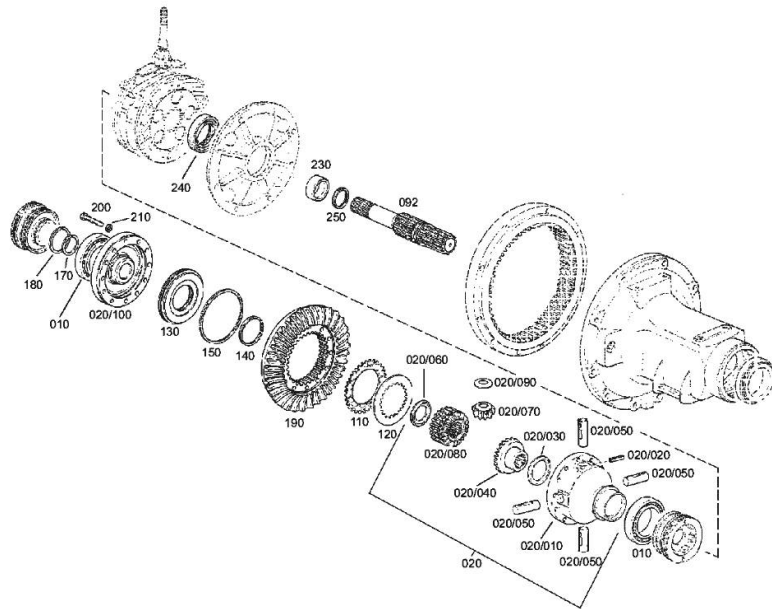


Fig.	P/n	QTY	Name
10	0.010.3580.1	2	roller bearing
20	0.900.1408.1	1	differential carrier
20.10	0.010.3457.1	1	differential carrier
20.20	0.010.3349.0	4	roll pin 8 x 40
20.30	0.900.0124.2	1	slewing ring
20.40	04417296	1	gear
20.50	0.010.3457.2	4	axle
20.60	0.900.0498.2	1	slewing ring
20.70	0.900.0288.9	4	planet gear
20.80	04417301	1	bearing
20.90	0.900.0288.8	4	slewing ring
20.100	04417310	1	box
92	0.010.3458.0	2	pinion
110	0.900.1398.2	8	disc Z = 48
120	0.900.1398.7	7	thin plate Z = 38
130	0.900.0025.0	1	piston
140	0.900.0124.1	1	oil seal
150	0.900.0268.5	1	oil seal 69 x 3
170	0.900.0800.7	1	ring 55 x 2.5
180	0.900.0800.8	1	ring 70 x 3.0
190	0.900.0956.8	1	bevel ring gear
200	0.010.3729.2	12	screw m 12 x 80
210	0.900.0277.9	12	washer
230	04417315	2	bushing
240	04417316	2	oil seal
250	0.900.0278.9	2	ring 54 x 2.5
270	0.900.1365.3	2	crown wheel Z = 105
290	0.010.3588.2	2	grub screw m 10x16
300	0.900.0278.2	2	pin 12 x 24
310	04417322	2	ball
320	0.900.0282.8	6	roller bearing
330	0.900.0282.6	12	slewing ring 72x80.8x1
345	0.900.0956.9	2	spider
350	0.900.0278.1	12	circlip
360	0.900.1409.9	6	planet gear
370	0.900.0289.5	6	circlip 55x2
380	0.900.0278.3	2	roll pin 8x90
390	0.900.0489.3	2	shaft
440	0.900.0283.0	2	roller bearing
450	0.900.0953.7	2	roller bearing
460	0.010.3643.0	2	ring

P.T.O. SHAFT - 2095 009 047

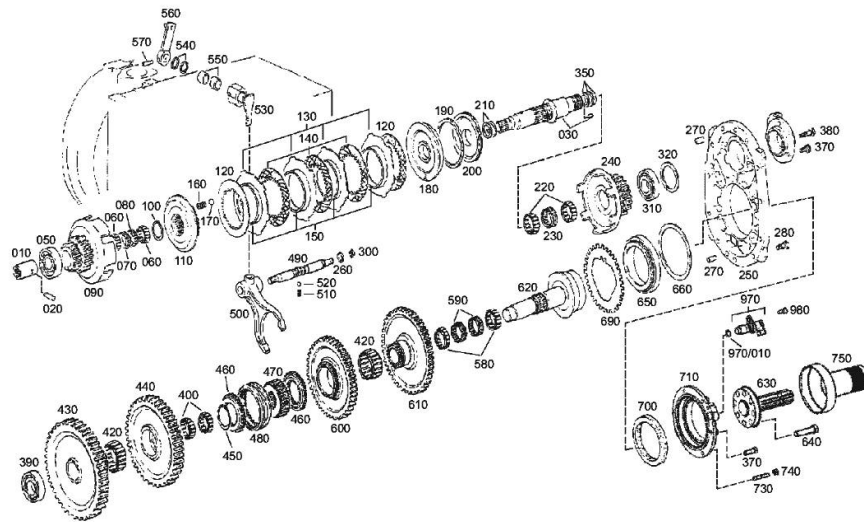


Fig.	P/n	QTY	Name
10	04421009	1	sleeve
20	0.900.0290.1	1	roll pin
30	0.900.0058.5	1	shaft
			(...) <-
30	0.900.1408.2	1	shaft
			-> (...)
50	0.900.1406.7	1	roller bearing
			-> (...)
50	04428566	1	bearing
			(...) <-
60	04417336	2	roller cage
70	04417337	1	roller cage
80	04417338	3	roller cage
90	0.900.0287.7	1	gear
100	0.010.3724.2	1	circlip 40 x 1.75
110	04417342	1	plate carrier
120	0.900.1405.3	2	gear
			-> (...)
120	04417343	2	ring
			(...) <-
130	0.900.1402.9	4	ring
			-> (...)
130	04417344	4	ring
			(...) <-
140	0.900.0288.7	3	disc
			(...) <-
140	0.900.1405.4	3	gear
			-> (...)
150	04417346	4	spring
160	04417347	8	spring
170	04415830	8	ball 12 mm
180	0.900.1408.8	1	cylinder
			-> (...)
180	04417348	1	cylinder
			(...) <-
190	0.900.0278.6	1	ring
200	0.900.0125.1	1	piston
210	0.900.0879.0	2	ring
220	04417383	2	roller cage
230	04417353	1	roller cage
240	0.900.0287.8	1	gear
250	04417355	1	cover
260	0.900.0278.8	1	oil seal
270	04328555	2	cylindrical plug 10 m 6x20

P.T.O. SHAFT - 2095 009 047

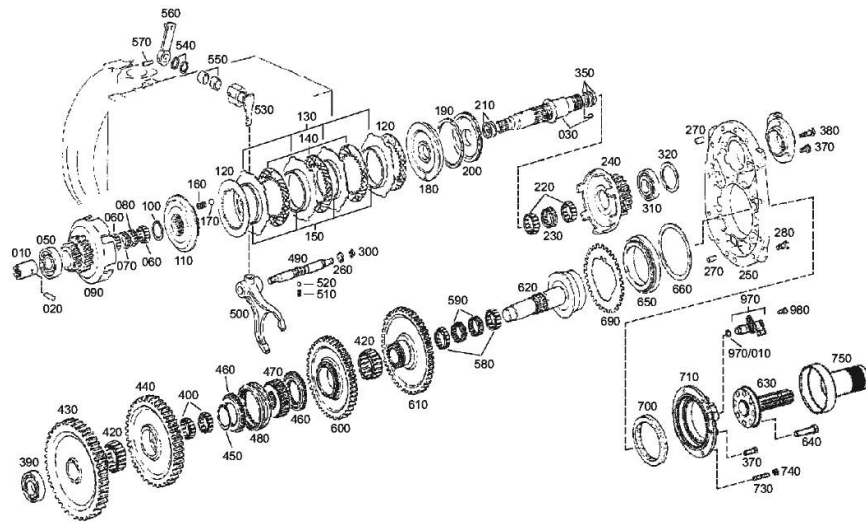


Fig.	P/n	QTY	Name
280	0.900.0279.9	11	screw m 10 x 30
300	0.010.3358.0	1	nut m 10
310	0.900.0279.2	1	roller bearing
			(...) <-
310	0.900.1385.0	1	bearing
			-> (...)
320	0.000.0000.1	1	cannot be supplied
320	04417360	1	shim s = 0.10
320	04417361	1	shim s = 0.15
320	04417362	1	shim s = 0.40
350	04423359	3	ring
360	0.900.1235.6	1	cover
370	0.900.0291.0	4	screw
			(...) <-
370	04434498	4	screw m 8 x 25
			-> (...)
380	0.900.0280.0	1	screw m 8 x 45
390	04428566	1	bearing
400	04417336	2	roller cage
420	04417368	2	roller cage
430	0.900.0288.3	1	gear
440	04417370	1	gear wheel
450	0.010.3347.1	1	circlip 38x2.5
460	04423336	2	driver
470	04423335	1	support
480	04423337	1	sleeve
490	04424371	1	lever
500	0.010.3701.2	1	fork
510	04417378	1	spring
520	04415909	1	ball
530	04417379	1	small lever
540	0.900.0278.5	2	ring 20x3.5
550	04417381	2	bushing
560	0.900.0294.2	1	lever
570	0.900.0290.2	1	roll pin
580	04417383	2	roller cage
590	04417384	2	roller cage
600	0.900.0288.5	1	gear
610	0.900.0288.4	1	gear
620	0.900.0957.0	1	shaft
630	04417388	1	shaft
640	0.010.3293.0	8	screw m 12 x 50
650	0.900.0282.9	1	roller bearing
660	0.000.0000.1	1	cannot be supplied

P.T.O. SHAFT - 2095 009 047

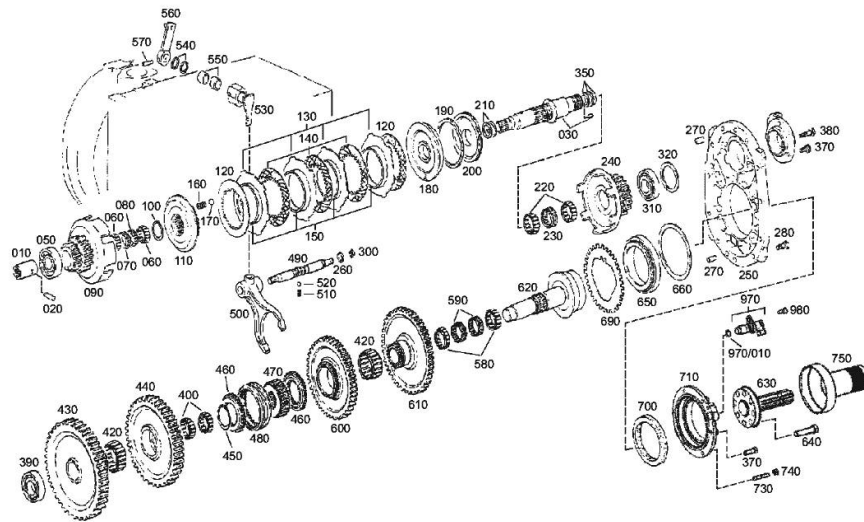


Fig.	P/n	QTY	Name
660	04417391	1	shim s = 0.10
660	04417392	1	shim s = 0.15
660	04417393	1	shim s = 0.40
690	04439236	1	gear
700	04417395	1	oil seal 94x118x12
710	04417438	1	cover
730	0.900.0281.3	4	stud bolt m 8 x 35
740	0.900.0281.5	4	nut m 8
750	04417440	1	guard
760	04434498	4	screw m 8 x 25
780	0.900.1408.3	1	(...) <- tube
920	04427560	1	pipe union -> (...)
930	0.010.2895.0	1	gasket 14x20 -> (...)
940	04436331	1	oil seal 16 x 20 -> (...)
950	04431782	1	threaded joint -> (...)
960	0.900.0282.4	1	pipe union -> (...)
970	0.010.2874.2	1	speed sensor -> (...)
970.10	04417747	1	oil seal 15.54x2.62 -> (...)
980	0.900.1235.8	1	screw m8x14 -> (...)

P.T.O. SHAFT - 2095 009 047

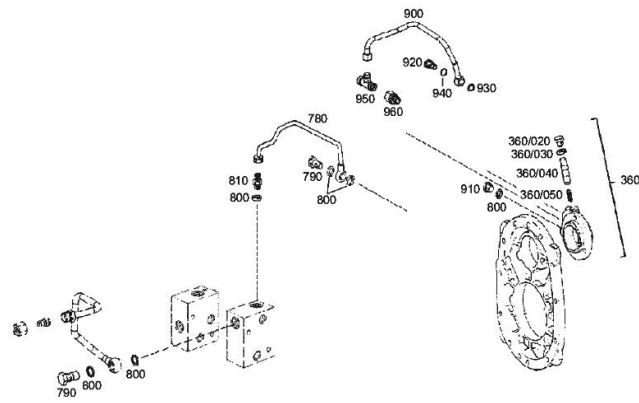
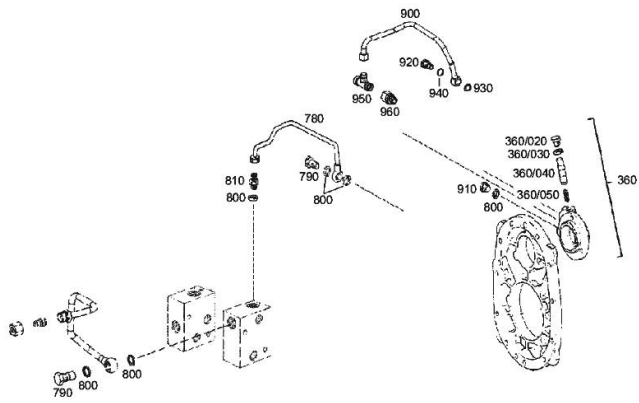


Fig.	P/n	QTY	Name
360	0.010.3229.0	1	cover (...) <-
360	0.900.1235.6	1	cover -> (...)
360.20	0.010.2906.0	1	plug m 16 p.1.5 -> (...)
360.20	04417591	1	plug (...) <-
360.30	04436331	1	oil seal 16 x 20
360.40	0.900.1386.4	1	piston -> (...)
360.40	04424374	1	piston (...) <-
360.50	0.900.1384.9	1	spring -> (...)
360.50	04417367	1	spring (...) <-
780	0.010.3455.2	1	piping (...) <-
780	0.900.1408.3	1	tube -> (...)
790	0.900.0282.1	2	pipe union
800	04423731	7	oil seal 14 x 18 (...) <-
810	04417466	2	pipe fitting (...) <-
820	04439224	1	accumulator (...) <-
830	0.010.3456.0	1	angular (...) <-
840	0.900.0953.6	1	nut (...) <-
850	0.900.0490.9	1	tube (...) <-
870	0.900.0281.4	1	nut m 12 (...) <-
880	04417783	1	pipe fitting (...) <-
900	0.900.0283.5	1	tube
901	04427560	1	pipe union (...) <-
902	0.900.0290.6	1	circlip (...) <-
903	04436331	1	oil seal 16 x 20

P.T.O. SHAFT - 2095 009 047

Fig.	P/n	QTY	Name
904	04431782	1	(...) <- threaded joint
906	0.900.0282.4	1	(...) <- pipe union
910	0.900.0280.7	1	(...) <- stop



SERVICE BRAKES - 2095 009 047

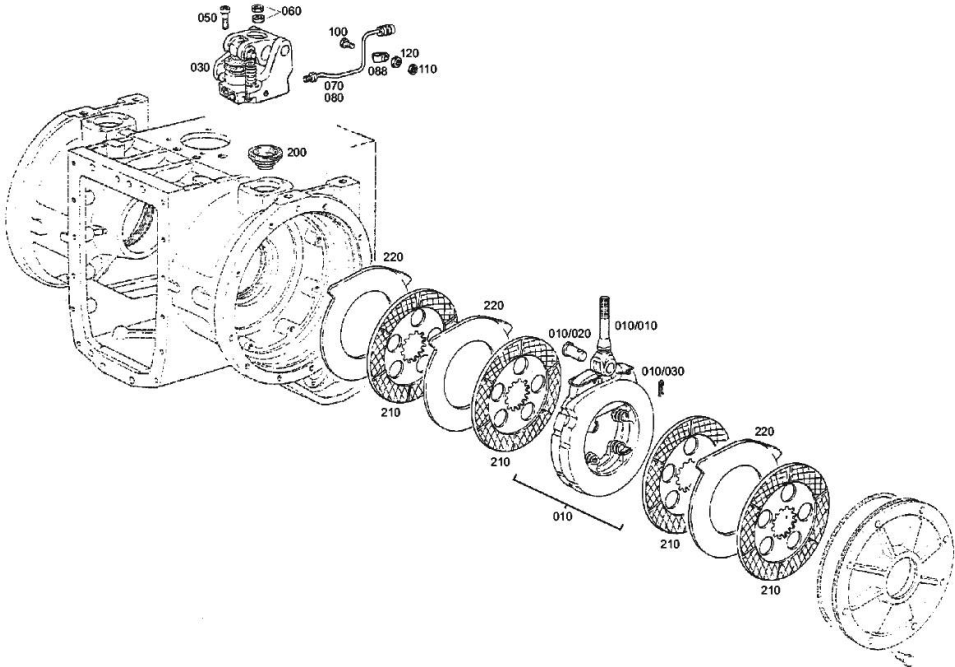


Fig.	P/n	QTY	Name
10	0.900.0800.4	2	transmission brake
10.10	04428551	1	rod
10.20	04435740	1	pin
10.30	04435741	1	split pin
20	0.900.1405.6	4	plug -> (...)
25	0.010.2627.1	4	oil seal 11x2 -> (...)
30	0.900.0800.5	2	operation
50	0.900.0469.7	6	screw m 10 x 40
60	04434557	4	nut m 14 p.1.5
70	04428558	1	tube sx/lh/li
80	04428559	1	tube dx/rh/re
88	0.900.0468.2	2	clamp 6x12
100	0.900.0280.1	2	screw m 5 x 25
110	0.900.0470.2	2	nut m 5
120	0.900.0281.6	2	nut
200	0.900.0800.9	2	rubber bushing
210	0.900.0801.2	8	disc
220	0.900.0801.3	6	disc

BRAKE CONTROLS - 2095 009 047

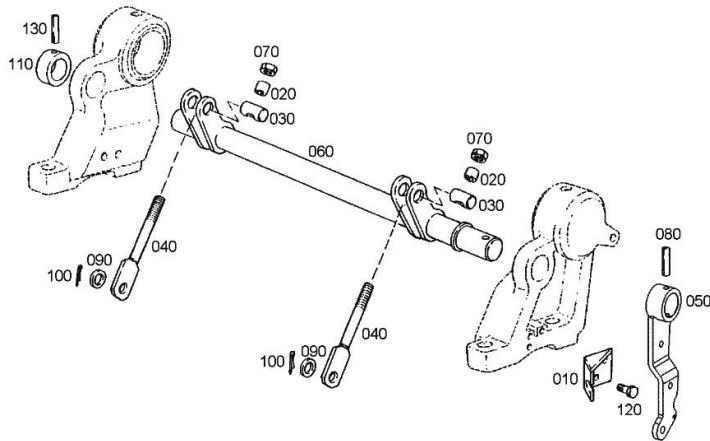
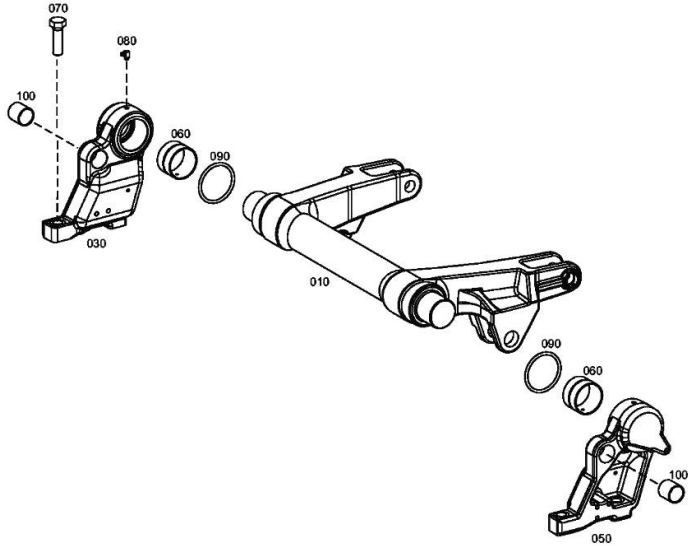


Fig.	P/n	QTY	Name
10	0.010.2901.2	1	support (...) <-
10	0.900.1239.7	1	bracket -> (...)
20	0.010.2902.0	2	bushing (...) <-
20	0.900.1239.8	2	tube -> (...)
30	0.010.2902.1	2	pin (...) <-
30	0.900.1239.9	2	pin -> (...)
40	0.010.3458.2	2	connecting rod (...) <-
40	0.900.1408.4	2	rod -> (...)
50	0.900.0466.8	1	brake lever (...) <-
50	0.900.1240.1	1	lever -> (...)
60	0.900.0955.8	1	shaft (...) <-
60	0.900.1408.5	1	shaft -> (...)
70	0.900.0281.9	2	nut m 12
80	0.010.3459.1	1	roll pin
90	0.900.0466.9	2	washer
100	0.900.0468.1	2	split pin 3.2x18
110	0.010.2904.2	1	ring (...) <-
110	0.900.0957.7	1	ring -> (...) - (...) <-
110	0.900.1240.3	1	spacer -> (...)
120	0.900.0469.4	3	screw m 8 p.1.25 x 20
130	0.900.0290.0	1	roll pin

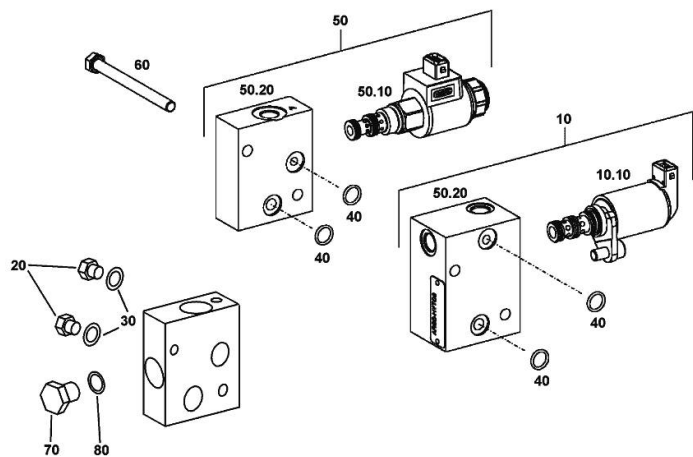
LIFTING - 2095 009 047

Fig.	P/n	QTY	Name
10	0.900.0824.6	1	shaft
30	0.900.0802.9	1	bearing block dx/rh/re (...) <-
30	0.900.1407.9	1	bearing block dx/rh/re > (...)
50	0.900.0803.0	1	bearing block sx/lh/li (...) <-
50	0.900.1408.0	1	bearing block sx/lh/li > (...)
60	04417549	2	special bushing
70	0.900.0469.1	4	screw m 20x65
80	04427636	2	grease gun m 8 p.1 x 8
90	04417552	2	ring 78.5x6
100	0.010.3844.1	2	bearing



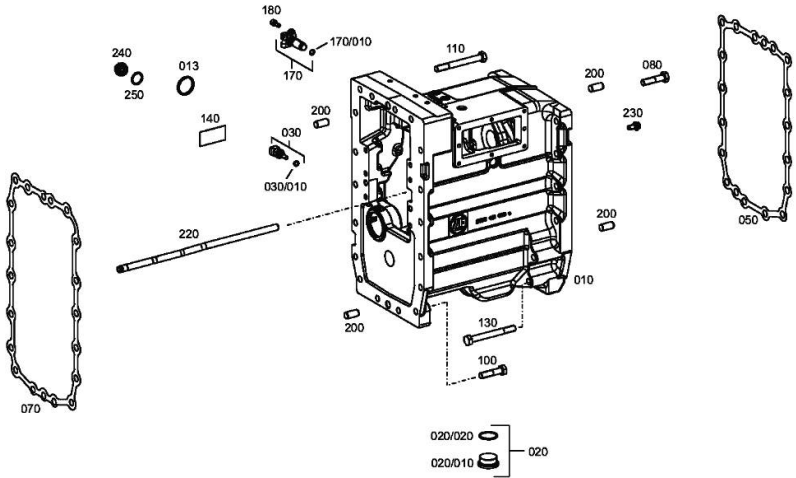
DRIVE FOR GEAR CHANGE BOX - 2095 009 047

Fig.	P/n	QTY	Name
10	0.900.0952.1	1	control
10.10	0.900.0952.8	1	solenoid valve DV
20	04434512	2	plug m 10 p.1 (...) <-
30	0.900.0290.7	2	circlip (...) <-
40	0.900.0801.4	4	ring 11,3 x 2,4 NBR-70-10
50	0.010.2628.2	1	control (...) <-
50	0.900.0993.3	1	control -> (...) - (...) <-
50	0.900.1363.3	1	small block -> (...)
50.10	0.900.1384.6	1	solenoid valve
60	0.900.0279.5	2	screw (...) <-
60	0.900.1363.4	2	screw -> (...)
70	0.900.0281.0	1	plug m 14 p.1.5 (...) <-
80	04423731	1	oil seal 14 x 18 (...) <-



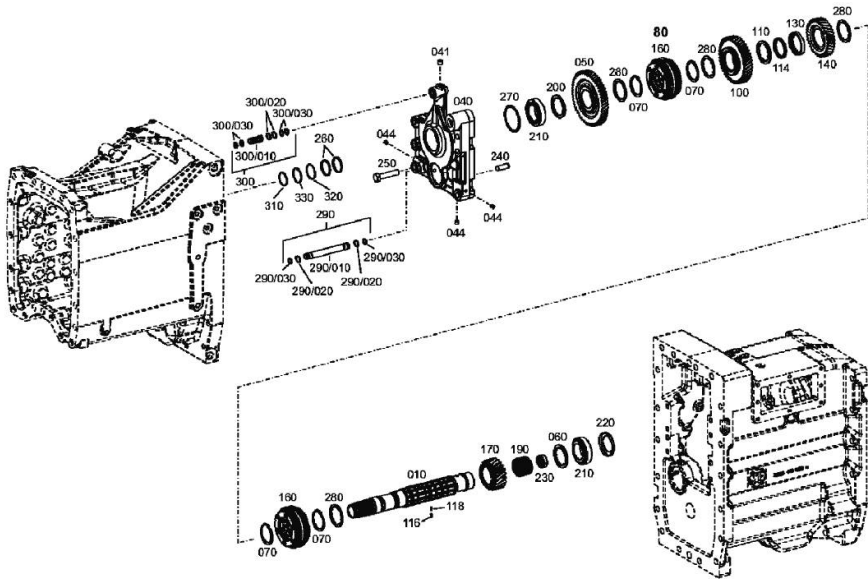
GEARBOX - 2095 009 042

Fig.	P/n	QTY	Name
10	0.900.0284.3	1	gear box (...) <-
10	0.900.0956.0	1	gear box -> (...)
13	0.010.2845.2	1	oil seal 38x4
20	04435197	1	plug
20.20	02315144	1	oil seal 38x2.5
30	0.900.0800.6	1	temperature gauge
30.10	0.900.0801.6	1	ring 11x2 ZFN 744 FPM-80-10
50	0.900.1407.7	1	gasket
50	04416085	1	gasket mm 0.25
50	04416086	1	gasket mm 0.20
70	04416087	1	gasket
80	0.010.2887.1	13	screw m 14 x 60
100	0.010.2887.1	12	screw m 14 x 60
110	0.010.3354.1	6	screw m 14x130
130	0.010.3354.1	4	screw m 14x130
140	04416088	1	number plate
170	04438450	1	speed sensor L = 53,0mm
170.10	04417747	1	oil seal 15.54x2.62
180	04434551	1	screw m 8 p.1.25 x 20
200	04416090	4	cylindrical plug 16 m 6x30
220	0.010.3437.0	1	flexible hose
220.20	0.010.3344.1	1	circlip 15x1
220.30	06214801	1	oil seal 12x1.5
230	04416628	1	screw
240	0.010.3594.0	1	tube



LAYSHAFT - 2095 009 042

Fig.	P/n	QTY	Name
10	0.900.0284.6	1	shaft - UP TO TRANSMISSION SERIAL No. ZF 1760792
10	0.900.0956.3	1	shaft - FROM ZF GEARBOX SERIAL NO.: 1760793
40	0.900.0284.0	1	support (...) <-
40	0.900.1289.3	1	cap -> (...)
41	0.010.3780.2	1	plug (...) <-
41	0.900.1281.5	1	plug -> (...)
44	04415909	3	ball
50	0.900.0284.4	1	gear z = 53 - UP TO TRANSMISSION SERIAL No. ZF 1760792
50	0.900.0956.2	1	gear - FROM ZF GEARBOX SERIAL NO.: 1760793
60	04416108	1	shim mm 3.2
70	04416096	4	circlip
80	0.900.0277.7	1	lock synchronizer - UP TO TRANSMISSION SERIAL No. ZF 1760792
100	0.900.0956.1	1	gear -> (...)
100	04438441	1	gear Z = 41 (...) <-
110	04416099	1	shim mm 4.0
114	04416100	1	ring
116	04416101	1	pin 4x8
118	04416102	1	pin 2.5x8
130	04416103	1	shim
140	0.900.0284.5	1	gear - UP TO TRANSMISSION SERIAL No. ZF 1760792
140	0.900.0956.1	1	gear - FROM ZF GEARBOX SERIAL NO.: 1760793
160	0.900.0462.5	1	lock synchronizer - UP TO TRANSMISSION SERIAL No. ZF 1760792
170	0.900.0284.7	1	gear wheel
190	0.900.2223.5	1	needle
200	0.010.3418.0	1	washer mm 3.3
200	0.010.3418.1	1	washer mm 3.4
200	0.900.1407.1	1	slewing ring
200	04416108	1	shim mm 3.2
200	04416109	1	shim mm 3.5
210	04416110	2	roller bearing



Thank you so much for reading.
Please click the “Buy Now!”
button below to download the
complete manual.



After you pay.

You can download the most
perfect and complete manual in
the world immediately.

Our support email:

ebooklibonline@outlook.com