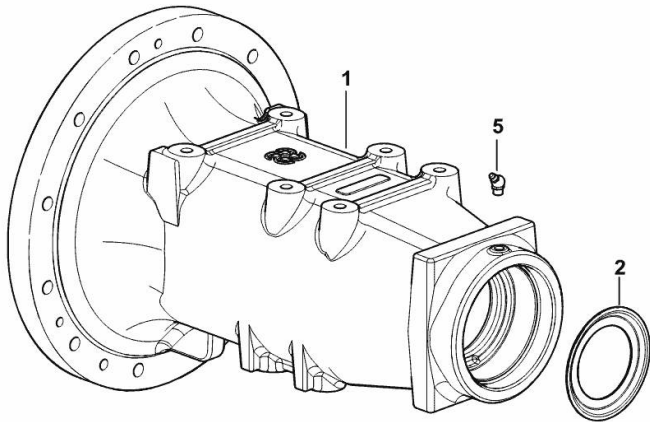


**REAR AXLE SX/LH/LI - DX/RH/RE**

Fig.	P/n	QTY	Name
------	-----	-----	------

Notes:  
[XM 100 T4i]

1	0.015.2921.0/60	2	wheel support
2	0.008.4001.0/10	2	cup
5	2.3821.103.2	2	grease gun m 10 p.1x10



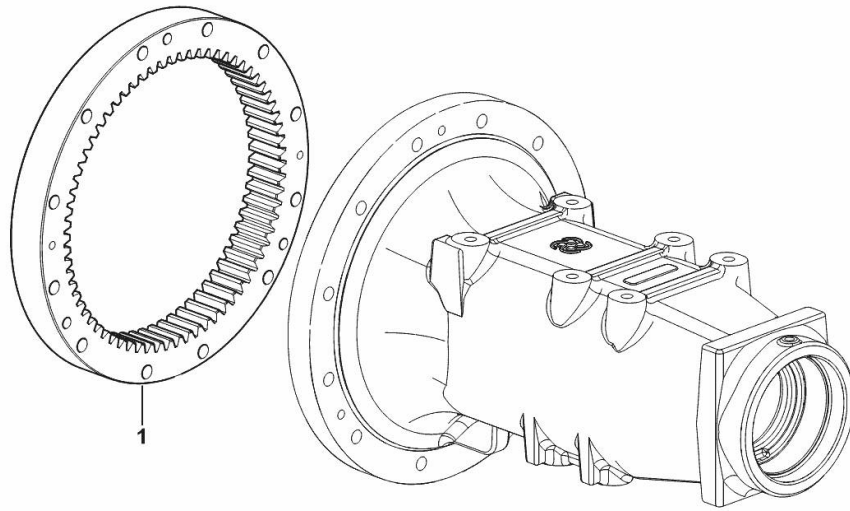
9\_J1544\_30\_0-A-002

**REAR AXLE CROWN WHEEL SX/LH/LI - DX/RH/RE**

Fig.	P/n	QTY	Name
------	-----	-----	------

Notes:  
[XM 100 T4i]

1	0.445.4440.3	2	crown wheel
---	--------------	---	-------------



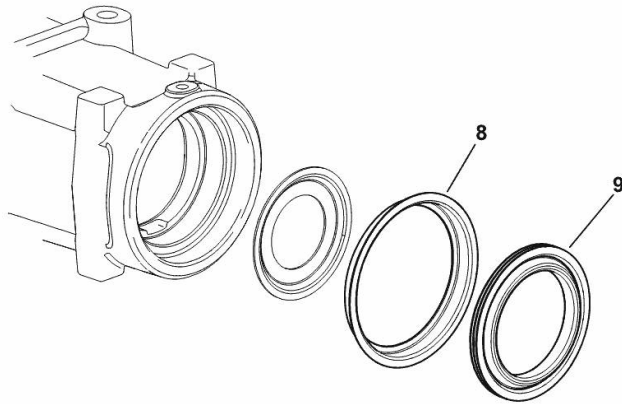
9\_J1547\_30\_0-A-001

**PARTS SET FOR REAR AXLE - STANDARD SEAL**

Fig.	P/n	QTY	Name
------	-----	-----	------

Notes:  
[XM 100 T4i]

8	0.255.4450.0/10	2	cup
9	2.1569.104.0	2	special oil seal 80 x 118.2 x 12



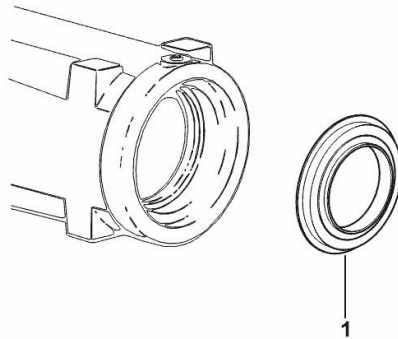
9\_64844\_11\_0-A-001

**PARTS SET FOR REAR AXLE - WATERPROOF SEAL**

Fig.	P/n	QTY	Name
------	-----	-----	------

Notes:  
[XM 100 T4i]

1	2.1529.105.0/10	2	special oil seal 80x129x15
---	-----------------	---	----------------------------



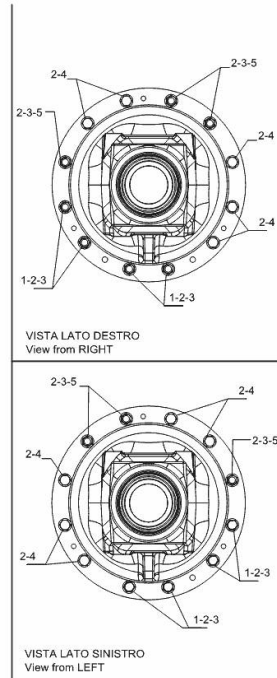
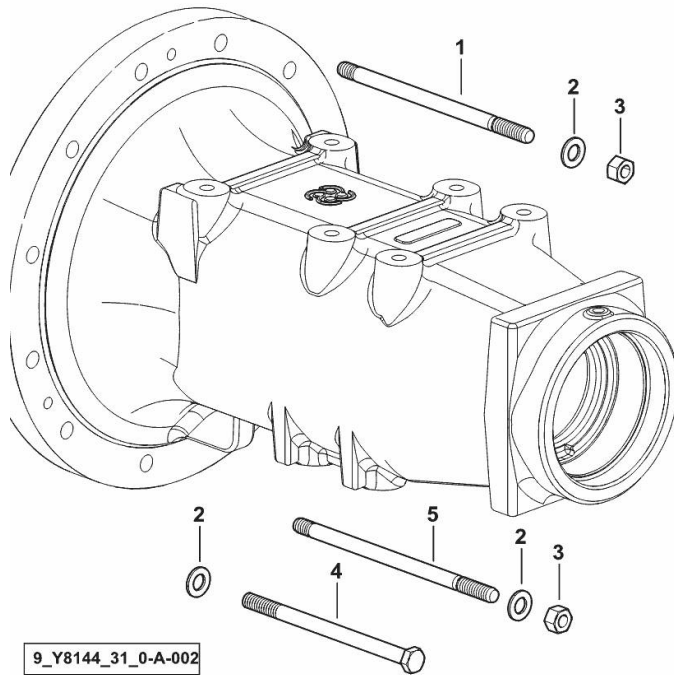
9\_Y8144\_01\_0-A-001

**REAR AXLE - MOUNTINGS SX/LH/LI - DX/RH/RE**

Fig.	P/n	QTY	Name
------	-----	-----	------

Notes:  
[XM 100 T4i]

1	2.0422.435.7	8	stud bolt m 12 x 200
2	2.1475.004.7	24	washer 13 x 24
3	2.1011.107.2	14	nut m 12 p.1.75
4	2.0112.444.2	10	screw m 12 p.1.75x180
5	2.0422.434.7	6	stud bolt m 12 p.1.75x190

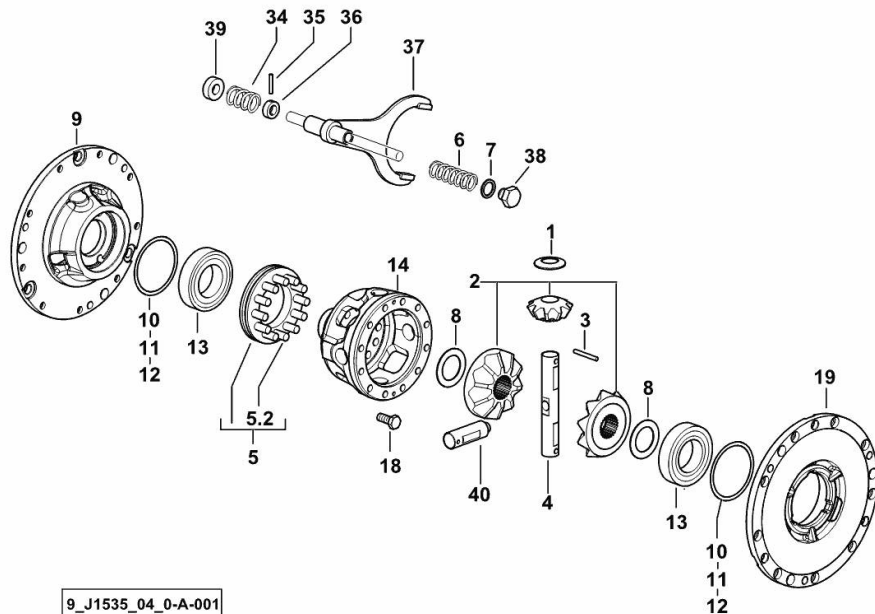


**4-PLANET PINION DIFFERENTIAL**

Fig.	P/n	QTY	Name
------	-----	-----	------

**Notes:**

- FOR TYPES WITHOUT SBA / ASM [XM 100 T4i]



1	0.157.3550.0	4	shoulder ring
2	0.011.7735.3	1	crown wheel
3	2.1631.519.0	2	roll pin 6x50
4	0.010.0614.0/10	1	pin
5	0.135.3527.3/20	1	sleeve
5.2	0.135.3550.0/10	12	pin
6	2.4019.225.1	1	spring 28 x 79 x 4.5
7	2.1560.014.0	1	washer 18.2 x 24
8	2.1599.427.0/10	2	shoulder ring 42x64x0.3
9	0.015.2817.0/20	1	flange dx/rh/re
10	2.1580.319.0	5	shim 86x98x0.5
11	2.1580.320.0	4	shim 86x98x0.2
12	2.1580.321.0	2	shim 86x98x0.05
13	2.2520.012.0	2	roller bearing iso 55 kb 02
14	0.011.7732.0/30	1	differential carrier
18	2.0129.028.2	12	screw m 12 p.1.25x30
19	0.015.2833.0/20	1	flange sx/lh/li
34	2.4019.339.1	1	spring 32x56.5x3.5
35	2.1631.415.2	1	pin 5x32
36	0.190.6858.0	1	spacer 16X28X10
37	0.445.3541.0/30	1	fork
38	2.3110.405.1	1	plug m 18 p.1.5 x 15
39	2.1549.146.0/10	1	spacer 16.5X33X12
40	0.010.0613.0	2	pin

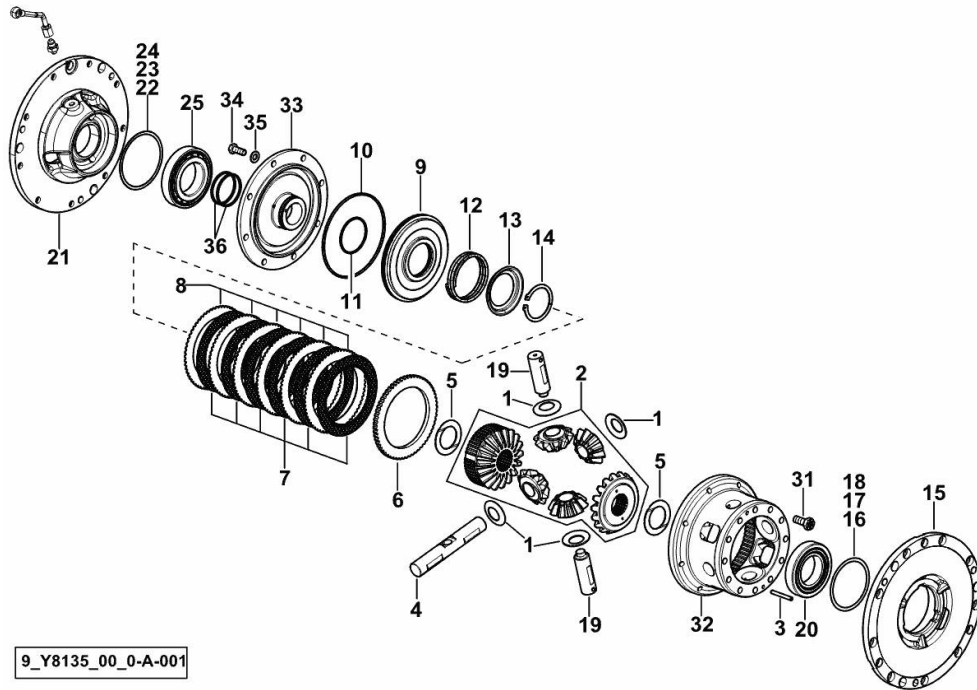
9\_J1535\_04\_0-A-001

**4-PLANET PINION DIFFERENTIAL**

Fig.	P/n	QTY	Name
------	-----	-----	------

**Notes:**

- FOR TYPES WITH SBA / ASM [XM 100 T4i]



9\_Y8135\_00\_0-A-001

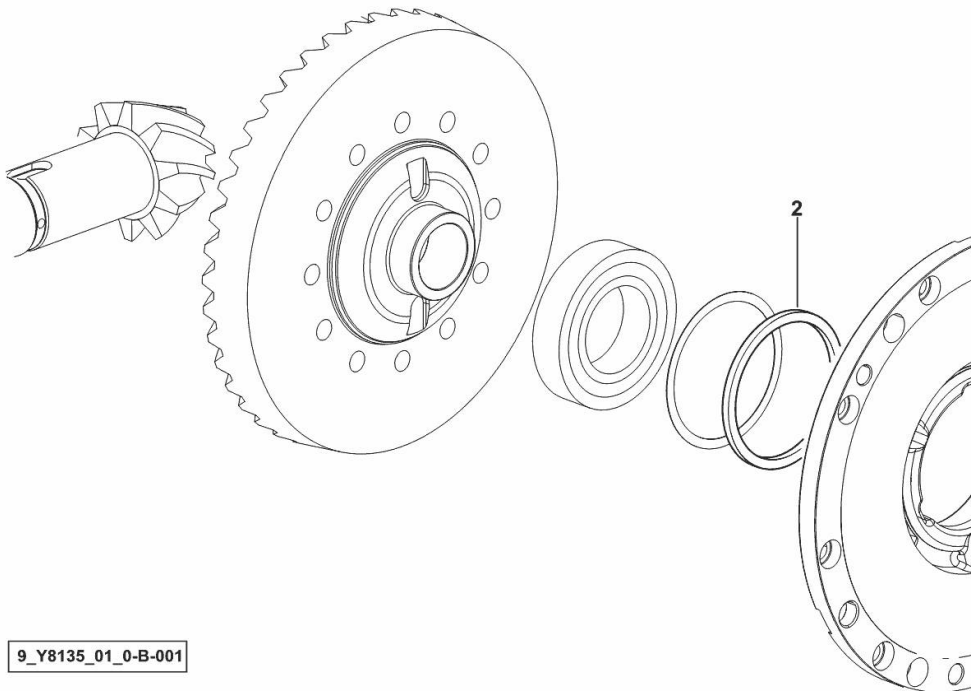
1	0.157.3550.0	4	shoulder ring
2	0.011.7161.3	1	crown wheel
3	2.1631.519.0	2	roll pin 6x50
4	0.010.0614.0/10	1	pin
5	2.1599.427.0/10	2	shoulder ring 42x64x0.3
6	0.008.5908.0	1	spacer
7	0.010.5034.2	6	disc mm 2.50
8	0.010.0711.0	6	disc mm 1.75
9	0.010.4853.0/10	1	piston
10	2.1539.094.0	1	special oil seal 151.99x3.53
11	0.005.8281.0	1	oil seal 61.6x2.62
12	0.008.4346.2	1	spring
13	0.008.4344.0	1	cup
14	2.1410.024.1	1	circlip Ø 60 mm
15	0.015.2833.0/20	1	flange sx/lh/li
16	2.1580.319.0	5	shim 86x98x0.5
17	2.1580.320.0	2	shim 86x98x0.2
18	2.1580.321.0	2	shim 86x98x0.05
19	0.010.0613.0	2	pin
20	2.2520.012.0	1	roller bearing iso 55 kb 02
21	0.015.6692.0/10	1	flange
22	2.1580.305.0	2	shim 97x108x0.2
23	2.1580.306.0	2	shim 97x108x0.5
24	2.1580.312.0	2	shim 97x108x0.05
25	2.2520.013.0	1	roller bearing iso 60 kb 02
31	2.0129.028.2	12	screw m 12 p.1.25x30
32	0.010.0549.0/20	1	differential carrier
33	0.008.5909.3/30	1	cover
34	2.0112.309.2	8	screw m 10 p.1.5 x 25
35	2.1475.003.2	8	washer 10
36	0.164.3646.0	2	piston ring

Section: E0 - REAR AXLE  
**SEPARATOR 86x98x5**

Fig.	P/n	QTY	Name
------	-----	-----	------

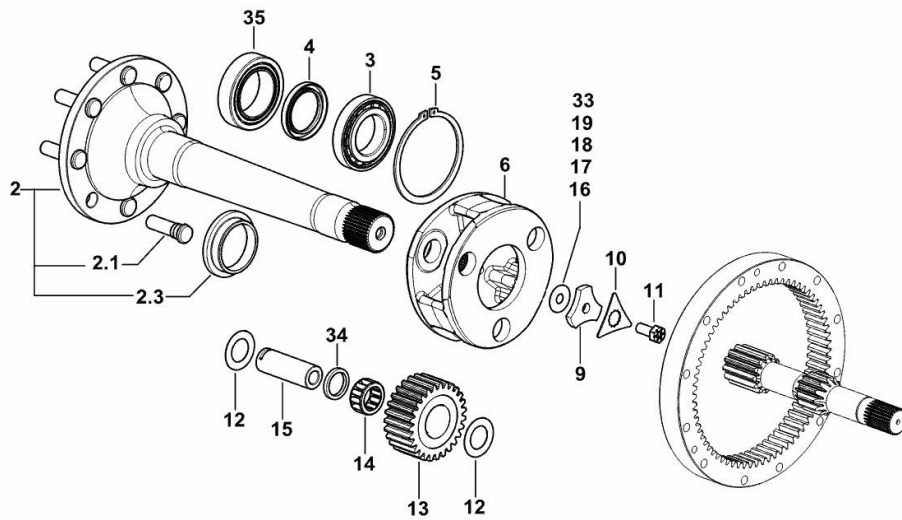
Notes:  
 [XM 100 T4i]

2	2.1599.543.0	1	spacer 86x98x5
---	--------------	---	----------------





**REAR REDUCTION GEARS AND AXLE SHAFTS SX/LH/LI - DX/RH/RE**



9\_J1547\_30\_0-B-001

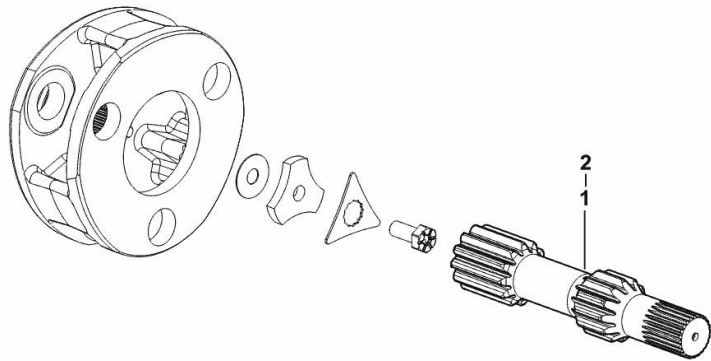
Fig.	P/n	QTY	Name
<b>Notes:</b>			
[XM 100 T4i]			
2	0.015.3262.3/10	2	half-shaft
2.1	0.148.4737.0/20	8	small column m 20x68
2.3	0.008.4226.0/10	1	spacer
3	2.2520.013.0	2	roller bearing iso 60 kb 02
4	2.1510.331.0	2	oil seal 60x85x10
5	2.1410.045.1	2	circlip 125
6	0.008.5581.0/10	2	differential carrier
9	0.255.4745.0/10	2	spacer
10	0.008.5605.0	2	washer
11	2.0139.041.1	2	screw m 14 p.1.5 x 33
12	2.1589.170.0	12	shoulder ring 35x58x1
13	0.008.5582.0	6	planet gear
14	2.2999.197.0	6	roller cage
15	0.445.4725.0	6	pin
16	2.1589.106.0	6	shoulder ring 14.5 x 41 x 1.0
17	2.1589.107.0	2	shoulder ring 14.5 x 41 x 0.5
18	2.1589.108.0	2	shoulder ring 14.5 x 41 x 0.2
19	2.1589.109.0	2	shoulder ring 14.5 x 41 x 0.1
33	2.1589.246.0	2	shoulder ring 14.5 x 41 x 0.15
34	2.1549.138.0	6	spacer
35	2.2999.227.0	2	special bearing 70x110x31

**HALF AXLES**

Fig.	P/n	QTY	Name
------	-----	-----	------

Notes:  
[XM 100 T4i]

1	0.015.3705.0/10	1	half-shaft sx/lh/li
2	0.015.3703.0	1	half-shaft dx/rh/re



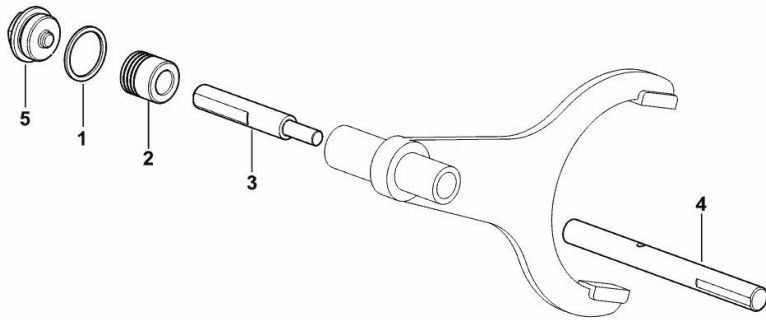
9\_J1547\_31\_0-A-001

**DIFFERENTIAL LOCK CONTROL - ELECTROHYDRAUDLIC**

Fig.	P/n	QTY	Name
------	-----	-----	------

Notes:  
[XM 100 T4i]

1	2.1560.023.0	1	copper gasket 30.3 x 36
2	0.008.5650.0/20	1	piston
3	0.008.5643.0	1	rod
4	0.008.5642.0	1	rod
5	2.3199.245.2/10	1	plug m 30 p.1.5



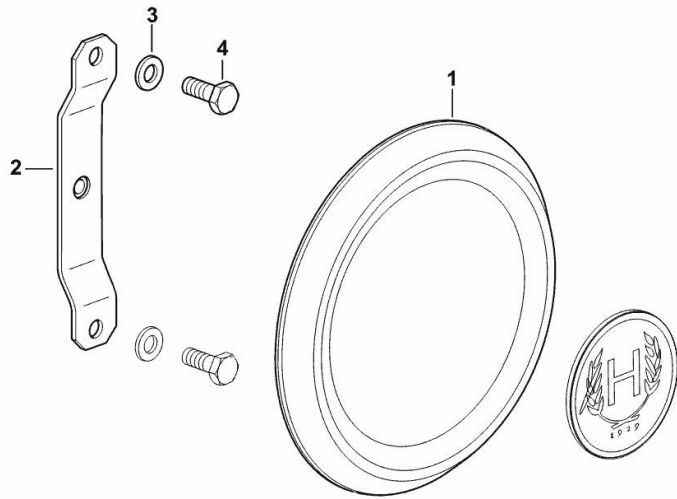
9\_J1535\_01\_0-A-001

**REAR WHEEL HUB COVER**

Fig.	P/n	QTY	Name
------	-----	-----	------

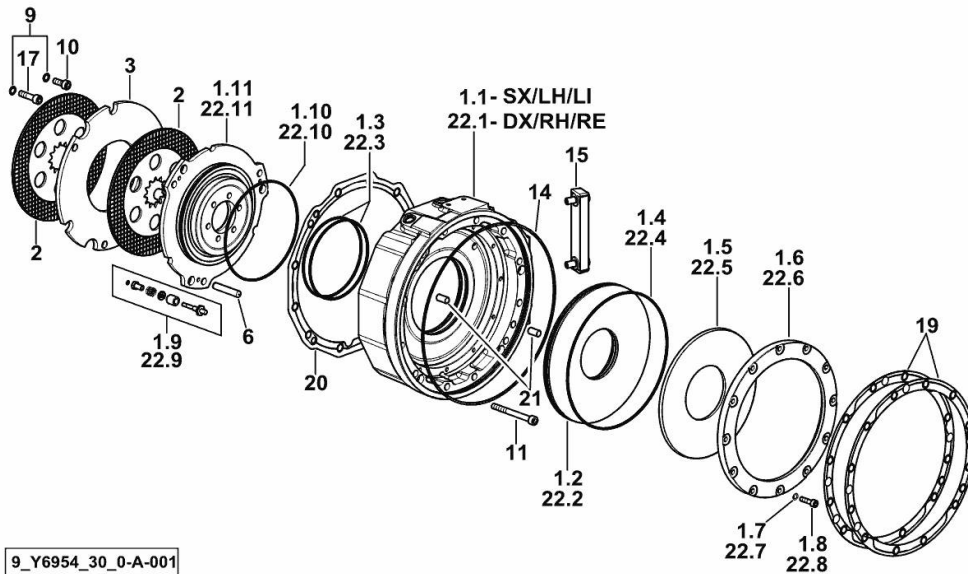
Notes:  
[XM 100 T4i]

1	0.019.4336.3	2	small cover SX/LH/LI - DX/RH/RE
2	0.019.5747.3	2	bracket
3	2.1310.002.2	4	flat washer 6.4x12.5
4	2.0112.005.2	4	screw m 6 p.1 x 16



9\_Y7147\_35\_0-B-001

**REAR BRAKES WITH 0.35 mm WEAR ADJUSTMENT**



9\_Y6954\_30\_0-A-001

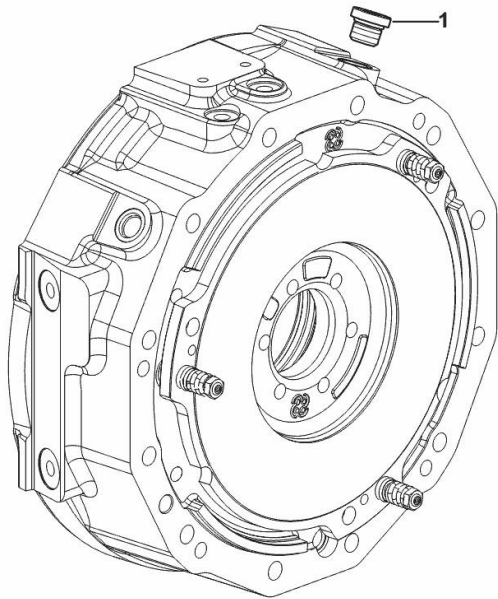
Fig.	P/n	QTY	Name
<b>Notes:</b>			
[XM 100 T4i]			
1.1	0.021.2415.0/20	1	flange SX/LH/LI
1.2	0.018.9211.0	1	piston
1.3	2.1532.253.0	2	oil seal 148.82x3.53
1.4	2.1532.308.0	1	oil seal 253.59x3.53
1.5	2.1499.244.0	1	spring 250x105
1.6	0.015.2815.0/10	1	ring
1.7	2.1480.014.2	12	washer 8
1.8	2.0314.210.2	12	screw m 8 x 30
1.9	0.013.5769.4/60	3	device
1.10	2.1532.279.0	1	oil seal 183.74x3.53
1.11	0.015.2798.0/30	1	piston
2	0.016.3140.2	4	brake disc D=243
3	0.015.2805.0/20	2	spacer
6	2.1655.617.0	6	pin 12x65
9	2.1480.015.2	18	washer 10
10	2.0312.308.2	16	screw m 10 p.1.5 x 25
11	2.0312.326.2	8	screw m 10 p.1.5x100
14	2.1539.518.0	2	special oil seal 343x3.53
15	0.015.8160.0	1	level indicator
17	2.0312.314.2	2	screw m 10 p.1.5 x 40
19	0.017.1697.0/10	4	gasket
20	0.017.2401.0	2	gasket
21	2.1655.608.0	4	pin 12 x 24
22.1	0.019.6746.0/20	1	flange DX/RH/RE
22.2	0.018.9211.0	1	piston
22.3	2.1532.253.0	2	oil seal 148.82x3.53
22.4	2.1532.308.0	1	oil seal 253.59x3.53
22.5	2.1499.244.0	1	spring 250x105
22.6	0.015.2815.0/10	1	ring
22.7	2.1480.014.2	12	washer 8
22.8	2.0314.210.2	12	screw m 8 x 30
22.9	0.013.5769.4/60	3	device
22.10	2.1532.279.0	1	oil seal 183.74x3.53
22.11	0.015.2798.0/30	1	piston

**PLUG**

Fig.	P/n	QTY	Name
------	-----	-----	------

Notes:  
[XM 100 T4i]

1	2.3121.005.2	2	plug m 16 p.1.5
---	--------------	---	-----------------



9\_L8066\_32\_0-A-001

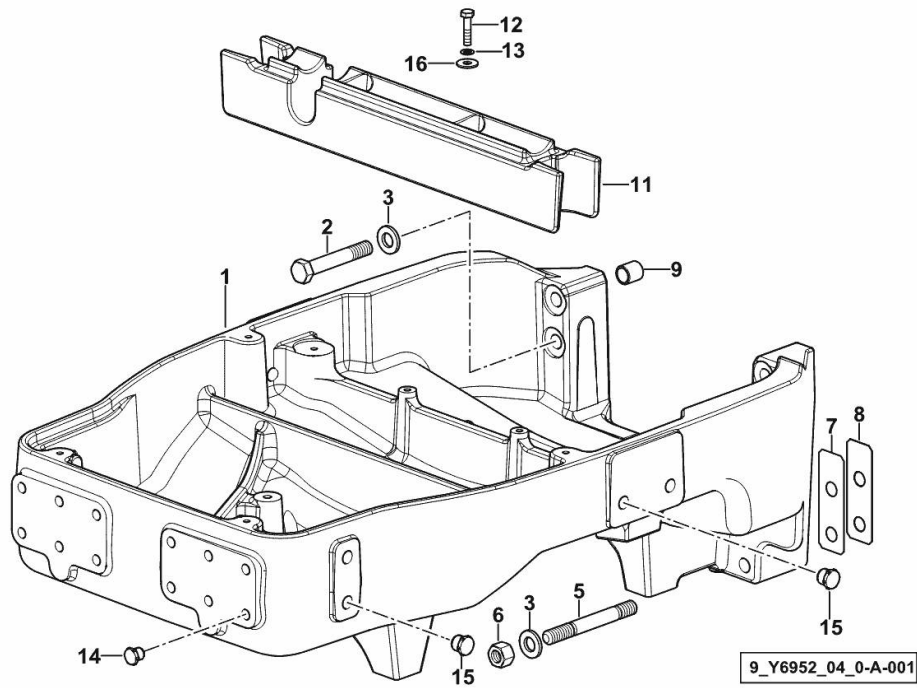
**FRONT SUPPORT**

Fig.	P/n	QTY	Name
------	-----	-----	------

**Notes:**

- FOR TYPES WITHOUT FRONT PTO AND FRONT LIFT [XM 100 T4i]

1	0.018.9333.0/10	1	front support
2	2.0113.629.2	4	screw m 16 p.2x100
3	2.1475.206.7	8	washer 17x32
5	2.0443.426.7	4	stud bolt m 16 p.1.5x110
6	2.1012.309.7	4	nut m 16 p.1.5
7	0.019.0152.0	2	shim mm 0.1
8	0.019.0154.0	6	shim mm 0.2
9	2.2680.047.0	2	ring 17x22x23
11	0.019.0178.2	1	gasket
12	2.0112.213.2	2	screw m 8 p.1.25 x 35
13	2.1470.004.2	2	lock washer 8
14	2.3199.360.0	12	plug m 14 p.2
15	2.3199.361.0	8	plug m 18 p.2.5
16	2.1312.004.2	2	washer 8x24x2



Thank you so much for reading.  
Please click the “Buy Now!”  
button below to download the  
complete manual.



After you pay.

You can download the most  
perfect and complete manual in  
the world immediately.

Our support email:

[ebooklibonline@outlook.com](mailto:ebooklibonline@outlook.com)