

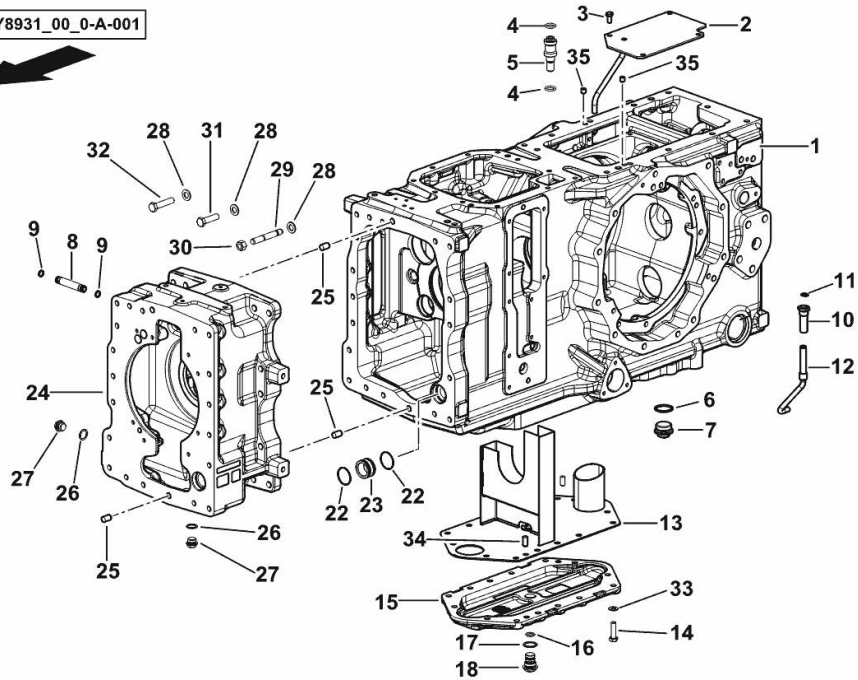
GEARBOX - REAR

Fig.	P/n	QTY	Name
------	-----	-----	------

Notes:

[XM 110 T4i V-DRIVE]

9_Y8931_00_0-A-001



1	0.018.5100.0/40	1	gear box
2	0.018.6701.2	1	plate
3	2.0112.205.2	4	screw m 8 p.1.25 x 16
4	2.1532.507.0	2	oil seal 17x3.53
5	0.018.7625.0/10	1	pin
6	2.1560.056.0	1	gasket 33x39
7	2.3110.516.7	1	plug 1" gas
8	0.015.3710.0/10	7	tube
9	2.1532.024.0	14	oil seal 10.77x2.62
10	0.015.4417.0/20	1	bushing
11	2.1410.002.2	1	circlip
12	0.020.1862.2	1	tube
13	0.020.5504.2	1	plate
14	2.0112.313.2	14	screw m 10 p.1.5 x 35
15	0.016.1615.0/20	1	cover
16	2.1530.037.0	1	oil seal 15.08x2.62
17	2.1560.019.0	1	copper gasket 24.3x30
18	0.016.1641.0	1	plug
22	2.1532.091.0	2	ring 34.60 x 2.62
23	0.015.6319.0	1	sleeve
24	0.018.6613.0/10	1	body
25	2.1655.650.0	3	pin
26	2.1560.014.0	2	washer 18.2 x 24
27	2.3110.405.2	2	plug m 18 p.1.5 x 15
28	2.1475.004.7	18	washer 13 x 24
29	2.0432.269.2	6	old part number
30	2.1011.422.2	6	nut m 12 p.1.25
31	2.0112.417.2	4	screw m 12 p.1.75 x 45
32	2.0112.420.2	8	screw m 12 p.1.75x55
33	2.1475.003.2	14	washer 10
34	2.1655.550.0	2	pin
35	2.0512.303.7	2	screw m 10 p.1.5 x 10

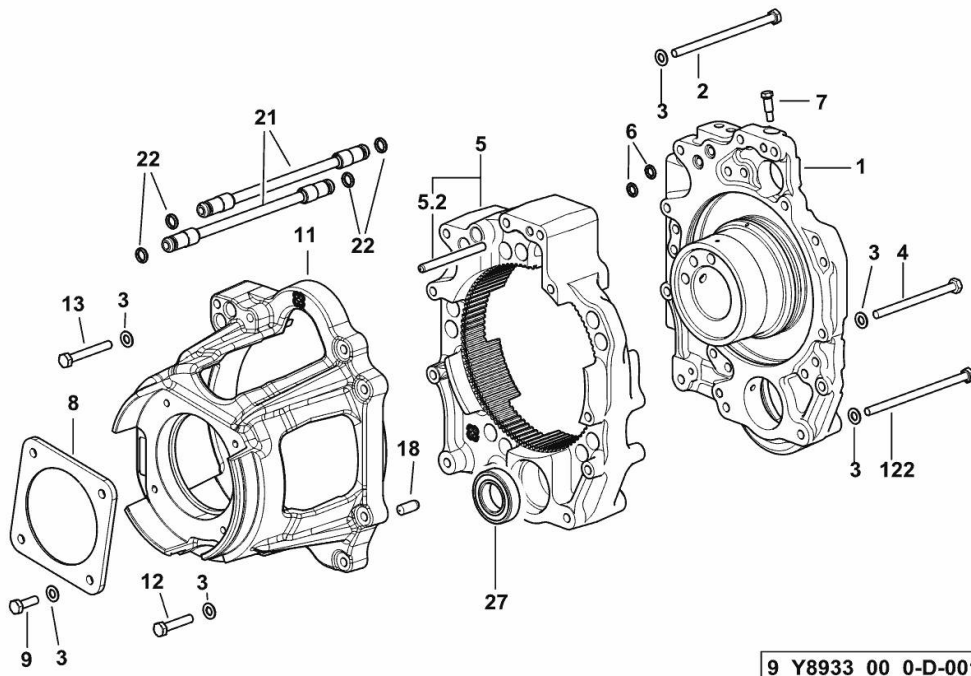
GEARBOX INTERNAL FLANGES

Fig.	P/n	QTY	Name
------	-----	-----	------

Notes:

[XM 110 T4i V-DRIVE]

1	0.018.6615.3/20	1	flange
2	2.0112.237.2	3	screw m 8 p.1.25x140
3	2.1475.002.7	23	washer 8.4
4	2.0112.231.2	6	screw m 8 p.1.25 x 110
5	0.018.6616.3	1	flange
5.2	2.1655.455.0	2	pin 8x90
6	2.1530.018.0	2	oil seal 9.19 x 2.62
7	2.0399.323.2	1	screw m 8 p.1
8	0.019.0754.0	1	flange
9	2.0112.209.2	4	screw m 8 p 1.25 x 25
11	0.018.6625.0/10	1	cover
12	2.0112.215.2	6	screw m 8 p.1.25 x 40
13	2.0112.221.2	2	screw m 8 p.1.25 x 60
18	2.1655.508.0	1	pin 10x24
21	0.014.9761.2/10	2	tube
22	2.1530.022.0	4	oil seal 9.92x2.62
27	2.2045.011.0	1	ball bearing 35 x 72 x 17
122	2.0112.235.2	2	screw m 8 p.1.25 x 130

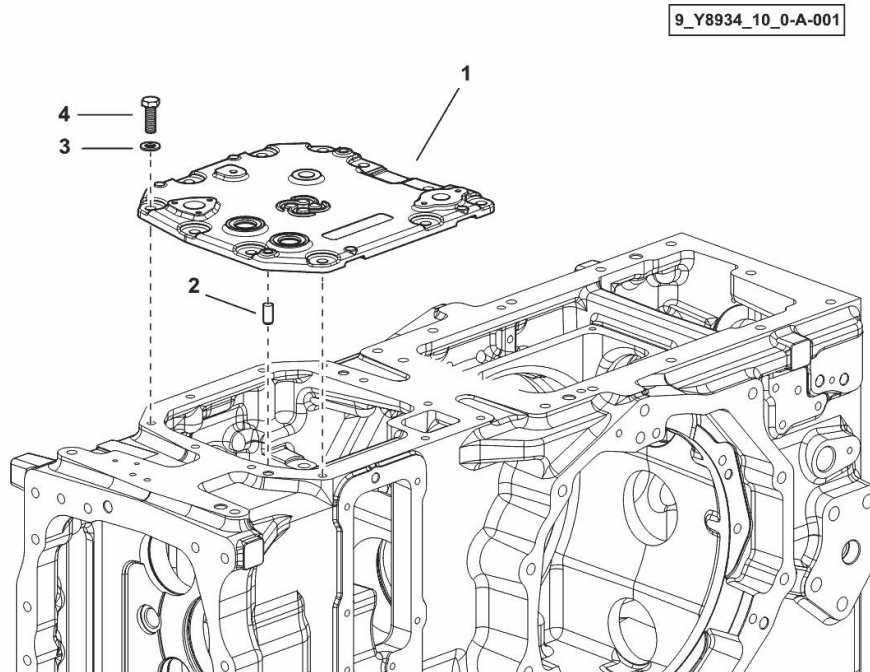


Section: D0 - TRANSMISSION
GEARBOX UPPER COVER

Fig.	P/n	QTY	Name
------	-----	-----	------

Notes:
 [XM 110 T4i V-DRIVE]

1	0.018.7562.0/10	1	cover
2	2.1655.550.0	2	pin
3	2.1475.003.2	11	washer 10
4	2.0112.311.2	11	screw m 10 p.1.5 x 30



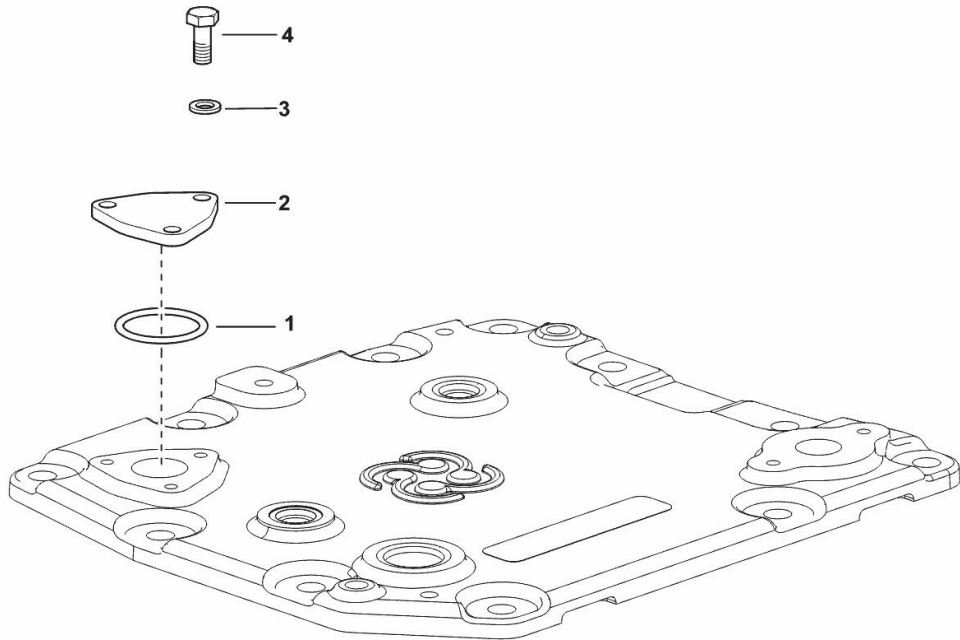
GEARBOX - WEARING PARTS

Fig.	P/n	QTY	Name
------	-----	-----	------

Notes:

[XM 110 T4i V-DRIVE]

1	2.1532.075.0	1	ring
2	0.017.6425.0	1	flange
3	2.1470.002.2	3	lock washer 6
4	2.0112.005.2	3	screw m 6 p.1 x 16



9_R8982_52_0-A-001

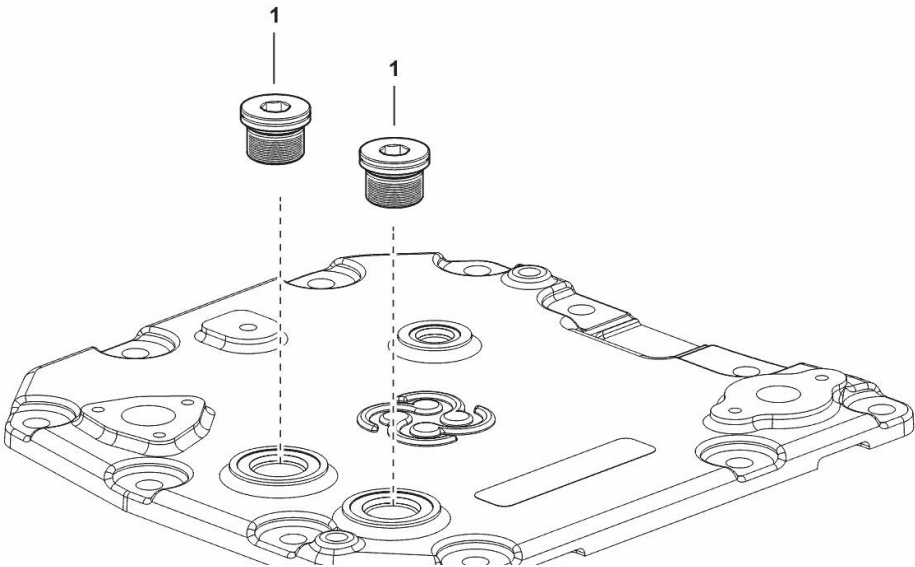
PLUGS

Fig.	P/n	QTY	Name
------	-----	-----	------

Notes:
[XM 110 T4i V-DRIVE]

1	2.3121.008.2	2	plug
---	--------------	---	------

9_Y8982_19_0-A-001

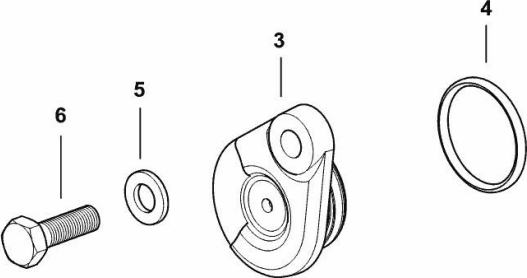


PTO PACKAGE WITHOUT GROUNDSPEED

Fig.	P/n	QTY	Name
------	-----	-----	------

Notes:
[XM 110 T4i V-DRIVE]

3	0.018.7503.0/10	1	flange
4	2.1531.079.0	1	oil seal 29.82 x 2.62
5	2.1475.102.2	1	washer 8.4 x 16
6	2.0112.209.2	1	screw m 8 p 1.25 x 25



9_Y8936_11_0-B-001

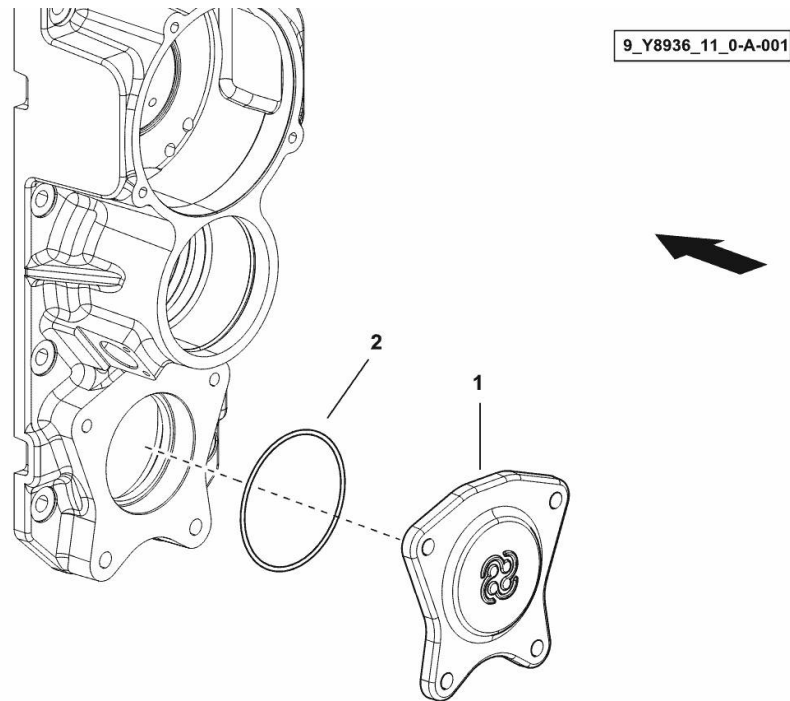
PTO PACKAGE WITHOUT GROUNDSPEED

Fig.	P/n	QTY	Name
------	-----	-----	------

Notes:

[XM 110 T4i V-DRIVE]

1	0.018.7501.0	1	cover
2	2.1539.025.0/10	1	special oil seal 88.57 x 2.62



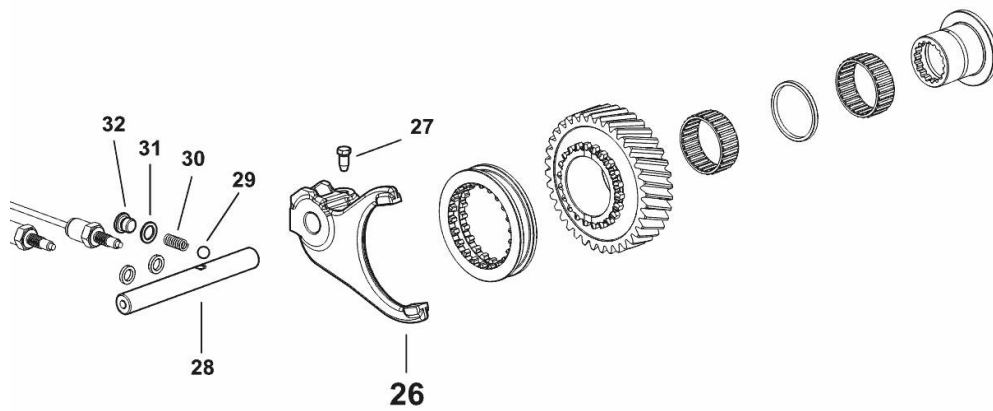
CONTROL FOR HEAVY DUTY RANGE REDUCTION GEAR

Fig.	P/n	QTY	Name
------	-----	-----	------

Notes:

[XM 110 T4i V-DRIVE]

26	0.018.4916.0/10	1	fork
27	2.0399.019.1	1	screw m 8 p.1 x 16
28	0.016.0604.0	1	rod
29	2.2999.156.0	1	ball Ø 10
30	2.4019.622.1	1	spring 6.3 x 9.5 x 1.6 x 22.4
31	2.1560.008.0	1	gasket 12.2 x 18
32	2.3199.164.2/20	1	plug m 12 p.1.5



9_Y8934_00_0-B-001

CONTROL FOR HEAVY DUTY RANGE REDUCTION GEAR

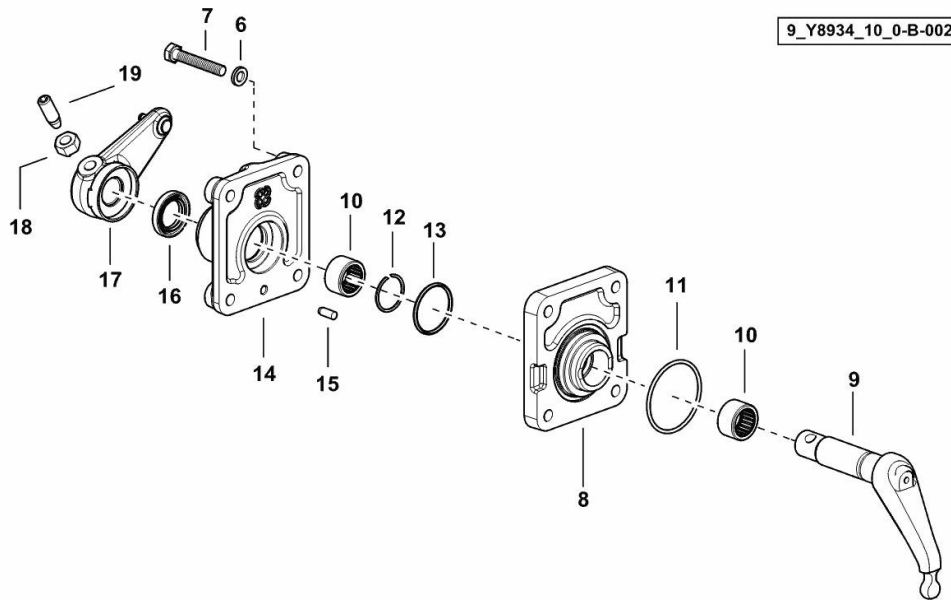


Fig.	P/n	QTY	Name
------	-----	-----	------

Notes:

[XM 110 T4i V-DRIVE]

6	2.1475.102.2	4	washer 8.4 x 16
7	2.0112.219.2	4	screw m 8 p.1.25x55
8	0.018.5099.0/10	1	support
9	0.018.7554.0	1	lever
10	2.2725.030.0	2	roller cage 22 x 28 x 16
11	2.1530.129.0	1	oil seal 52.07x2.62
12	2.1423.019.7	1	ring 28
13	2.1532.091.0	1	ring 34.60 x 2.62
14	0.018.7557.0/10	1	support
15	2.1655.305.0	1	pin
16	2.1519.075.0	1	oil seal 22 x 35 x 6
17	0.016.0583.3	1	lever
18	2.1011.406.2	1	nut m 10 p.1
19	2.0399.050.2	1	screw m 10 p.1 x 30

RANGE REDUCTION GEAR - HEAVY DUTY

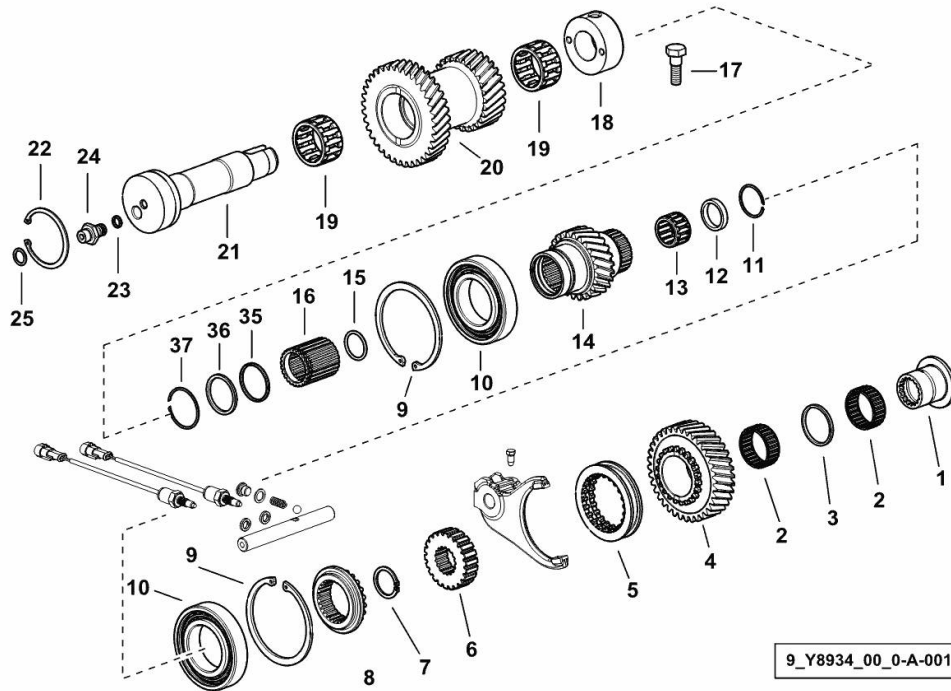


Fig.	P/n	QTY	Name
------	-----	-----	------

Notes:

[XM 110 T4i V-DRIVE]

1	0.016.0156.0	1	bushing
2	2.2770.245.0	2	roller cage
3	2.1549.413.0	1	spacer 47x52.8x4
4	0.016.0155.0/10	1	gear Z = 36
5	0.014.3116.0/10	1	sleeve
6	0.016.0154.0	1	hub
7	2.1412.013.7	1	ring Ø 35
8	0.016.0168.0	1	ring
9	2.1411.042.7	2	circlip 110
10	2.2040.016.0	2	ball bearing
11	2.1423.030.7	1	circlip 40
12	2.1549.648.0	1	spacer 32x40x7.5
13	2.2999.452.0	1	roller cage
14	0.018.6589.0/10	1	gear Z = 24
15	2.1530.082.0	1	oil seal 31.34 x 3.53
16	0.018.6831.0/10	1	sleeve
17	2.0399.333.0/10	1	screw
18	0.016.0147.0/20	1	bushing
19	2.2999.504.0	2	roller cage
20	0.016.0145.0/10	1	gear
21	0.016.0148.0/20	1	pin
22	2.1411.030.7	1	circlip 75x2.5
23	2.1532.024.0	1	oil seal 10.77x2.62
24	2.3249.715.2/10	1	pipe fitting m 16x1.5
25	2.1560.012.0	1	gasket 16.2 x 22
35	2.1530.114.0	1	oil seal 44.45x3.53
36	2.1549.200.0/10	1	spacer
37	2.1423.039.7	1	circlip

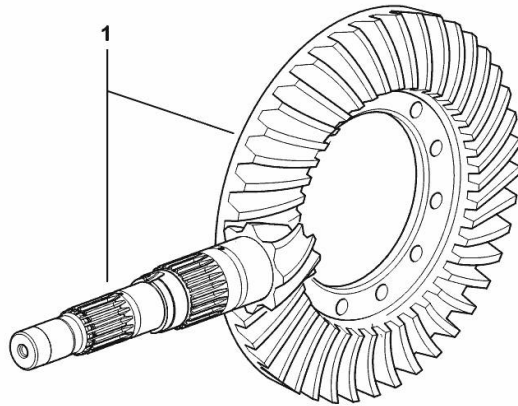
BEVEL WHEEL GEAR

Fig.	P/n	QTY	Name
------	-----	-----	------

Notes:

[XM 110 T4i V-DRIVE]

1	0.018.7500.3/20	1	bevel drive z=11 z=62
---	-----------------	---	-----------------------



9_Y8935_00_0-A-001

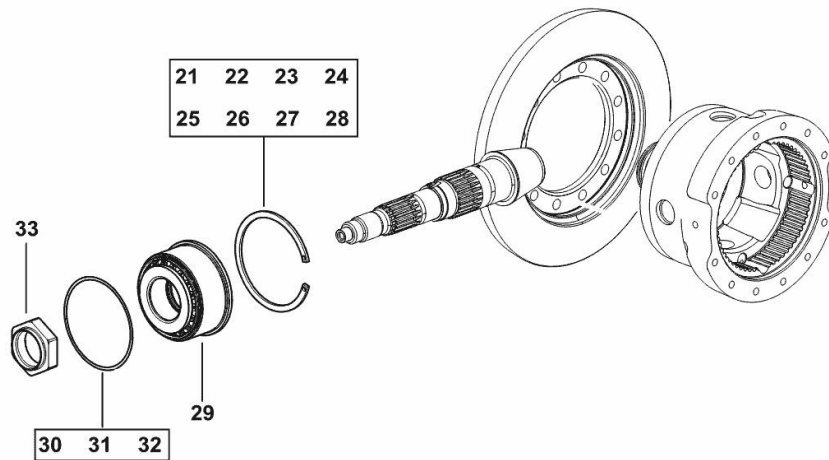
BEVEL DRIVE PINION BEARING

Fig.	P/n	QTY	Name
------	-----	-----	------

Notes:

[XM 110 T4i V-DRIVE]

21	2.1499.061.1	1	circlip 120x3.4
22	2.1499.062.1	1	circlip 120x3.5
23	2.1499.063.1	1	circlip 120x3.6
24	2.1499.064.1	1	circlip 120x3.7
25	2.1499.065.1	1	circlip 120x3.8
26	2.1499.066.1	1	circlip 120x3.9
27	2.1499.067.1	1	circlip 120x4
28	2.1499.068.1	1	circlip 120x4.1
29	2.2999.502.0/10	1	special bearing
30	2.1589.167.0	1	shoulder ring 105 x 112 x 0.15
31	2.1589.168.0	1	shoulder ring 105 x 112 x 0.1
32	2.1589.169.0	1	shoulder ring 105 x 112 x 0.5
33	2.1219.070.1/20	1	ring nut m 45 p.1.5 x 19



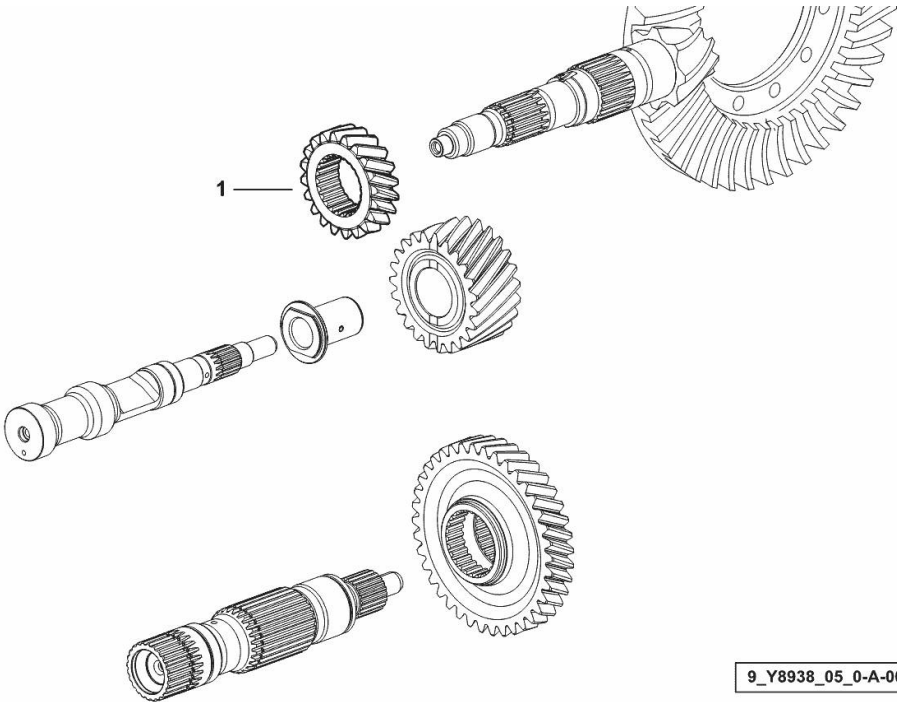
9_J5435_06_0-B-001

RANGE GEARBOX COMPLETION - 4WD

Fig.	P/n	QTY	Name
------	-----	-----	------

Notes:
[XM 110 T4i V-DRIVE]

1	0.018.4530.0	1	gear Z = 20
---	--------------	---	-------------



P.T.O. - HYDRAULIC CLUTCH

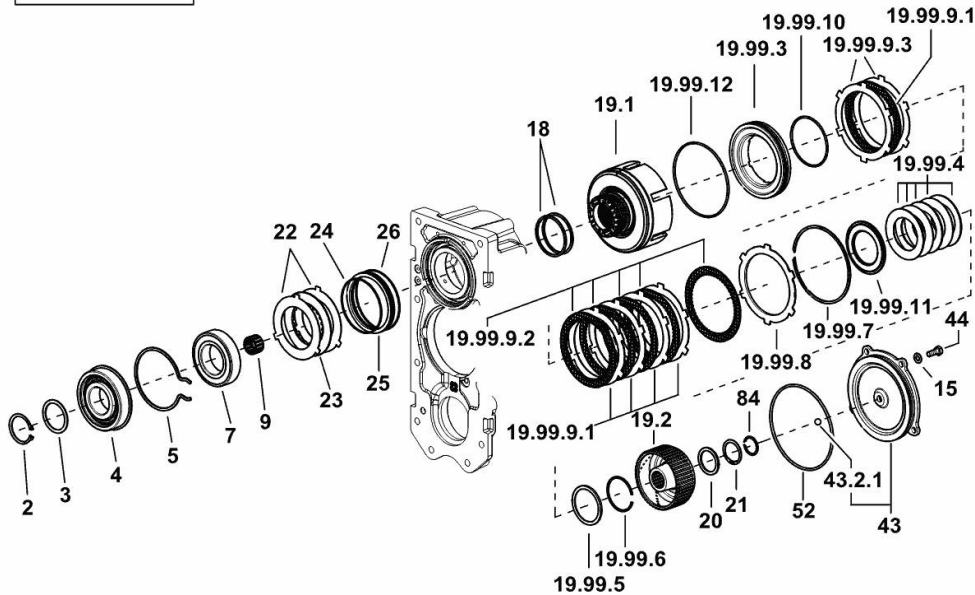
Fig.	P/n	QTY	Name
------	-----	-----	------

Notes:

[XM 110 T4i V-DRIVE]

2	2.1410.018.7	1	circlip 45
3	2.1599.541.0	1	shoulder ring 45x55x2
4	2.2062.013.0	1	ball bearing 45x100x25
5	2.1419.125.7	1	circlip 100
7	2.2041.017.0	1	ball bearing 50 x 90 x 20
9	2.2999.312.0	1	roller cage
15	2.1475.002.7	4	washer 8.4
18	2.1499.126.0/10	2	oil seal 62x68x3
19.1	0.019.0622.3	1	box
19.2	0.019.0623.0	1	hub
19.99.3	0.016.9055.0/10	1	piston
19.99.4	2.1499.252.7	5	spring
19.99.5	2.1549.678.0	1	ring
19.99.6	2.1422.036.7	1	circlip
19.99.7	2.1423.127.7	1	circlip 127
19.99.8	0.016.9068.0/10	1	disc
19.99.9.1	0.016.9060.2	6	clutch plate
19.99.9.2	0.013.9453.0	4	disc mm 1.75
19.99.9.3	0.017.9828.0	2	disc mm 1.55
19.99.10	2.1532.505.0	1	oil seal 77.50 x 2.62
19.99.11	0.016.9065.0	1	cup
19.99.12	2.1532.502.0	1	oil seal 120.32x2.62
20	2.1579.130.0	1	slewing ring
21	2.1419.067.0	1	circlip 35 x 1.5
22	0.007.7102.0	2	disc mm 1.5
23	0.008.9946.2	1	clutch plate
24	2.1532.510.0	1	oil seal 88.62x1.78
25	0.013.8039.0/10	1	piston
26	2.1532.511.0	1	oil seal 94.97x1.78
43	0.013.8035.3	1	cover
43.2.1	2.2810.006.0	1	ball 3/8"
44	2.0112.207.2	4	screw m 8 p 1.25 x 20
52	2.1532.236.0	1	oil seal
84	2.1422.022.7	1	circlip 28

9_Y8936_00_0-B-001

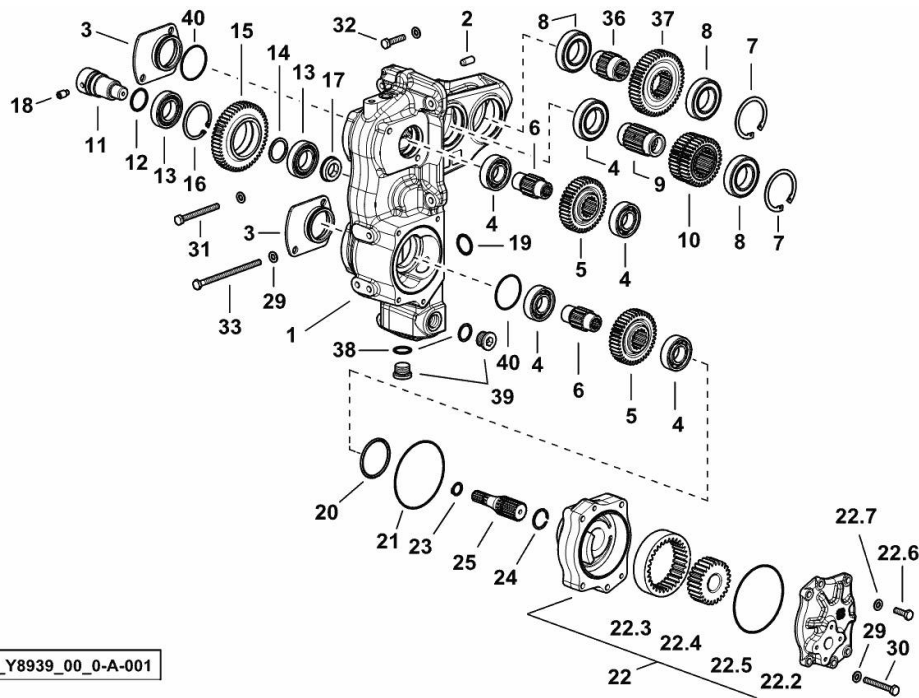


HYDRAULIC PUMP CONTROL

Fig.	P/n	QTY	Name
------	-----	-----	------

Notes:

[XM 110 T4i V-DRIVE]

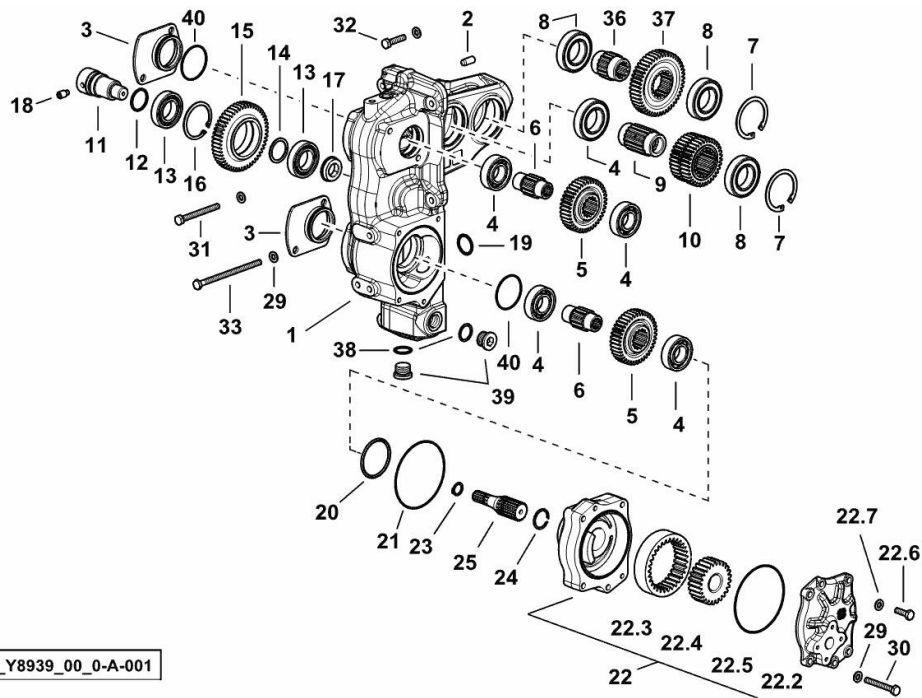


1	0.019.0341.0	1	body
2	2.1655.508.0	2	pin 10x24
3	0.019.0356.0	2	spacer
4	2.2040.007.0	4	ball bearing 25x52x15
5	0.019.0389.0	2	gear (10004 <-)
5	0.019.0389.0/10	2	gear (-> 10005)
6	0.019.0388.3	2	shaft (10004 <-)
6	0.019.0388.3/10	2	shaft (-> 10005)
7	2.1411.025.1	2	circlip 62
8	2.2021.011.0	4	bearing
9	0.014.9837.0/20	1	sleeve
10	0.018.0697.0	1	gear
11	0.013.4696.0/10	1	pin
12	2.1530.079.0	1	oil seal 29.82 x 2.62
13	2.2030.007.0	2	ball bearing 30x55x13
14	0.014.4866.0	1	spacer
15	0.013.4695.0	1	gear Z = 50
16	2.1411.022.1	1	circlip 55
17	0.015.6014.0	1	spacer
18	2.0522.307.7	1	screw m 10
19	2.1530.071.0	1	oil seal 26.64x2.62
20	2.1530.134.0	1	oil seal 53.98x3.53
21	2.1539.103.0/10	1	oil seal 101.32 x 1.78
22	0.014.2153.4/10	1	pump
22.2	0.014.2154.0/20	1	cover
22.3	0.009.2229.0/20	1	crown wheel
22.4	0.009.2230.0/20	1	pinion
22.5	2.1539.103.0/10	1	oil seal 101.32 x 1.78
22.6	2.0112.209.2	2	screw m 8 p.1.25 x 25
22.7	2.1475.102.7	2	washer 8
23	2.1410.004.1	1	circlip 16
24	2.1422.022.7	1	circlip 28
25	0.014.2172.0	1	shaft
29	2.1475.102.7	13	washer 8
30	2.0112.221.2	4	screw m 8 p.1.25 x 60
31	2.0112.225.2	2	screw m 8 p.1.25 x 80
32	2.0112.213.2	5	screw m 8 p.1.25 x 35
33	2.0112.235.2	2	screw m 8 p.1.25 x 130
36	0.014.9842.0/10	1	hub
37	0.018.0696.0	1	gear
38	2.1560.017.0	2	gasket 22.2 x 27

9_Y8939_00_0-A-001

HYDRAULIC PUMP CONTROL

Fig.	P/n	QTY	Name
39	2.3120.002.4	2	plug m 22 x 1.5
40	2.1539.173.0	2	special oil seal 47.35x1.78



9_Y8939_00_0-A-001

Section: D0 - TRANSMISSION
P.T.O. - POWER TAKE OFF

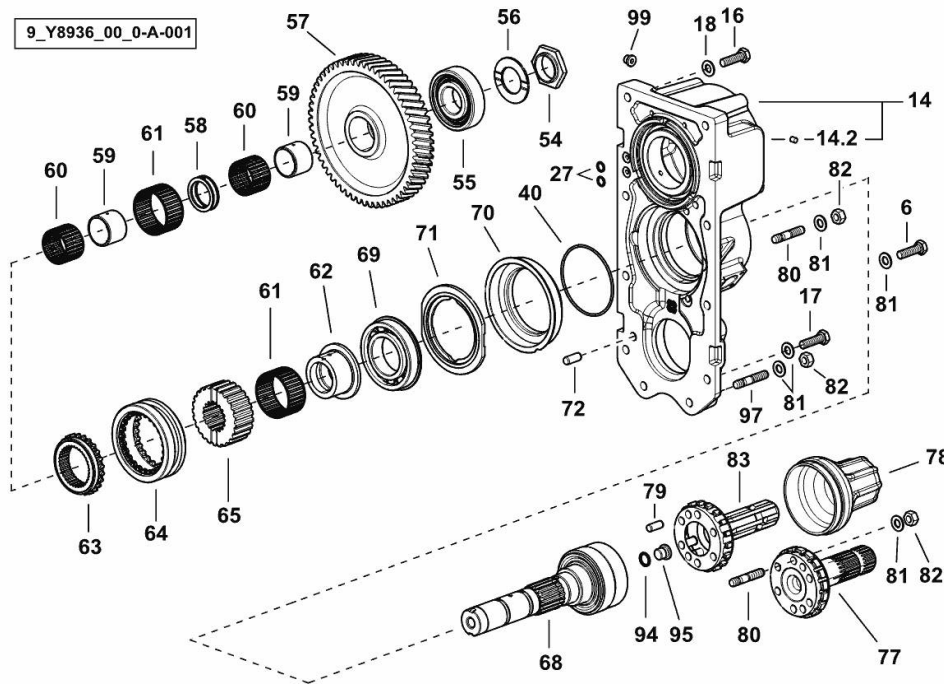


Fig.	P/n	QTY	Name
Notes:			
[XM 110 T4i V-DRIVE]			
6	2.0112.311.2	2	screw m 10 p.1.5 x 30
14	0.018.5150.3/10	1	box
14.2	2.1890.002.2	2	plug 5
16	2.0112.313.2	2	screw m 10 p.1.5 x 35
17	2.0112.309.2	6	screw m 10 p.1.5 x 25
18	2.1499.126.0/10	2	oil seal 62x68x3
27	2.1531.021.0	2	oil seal 9.66x1.78
40	2.1539.025.0/10	1	special oil seal 88.57 x 2.62
54	0.255.3661.0	1	ring nut m 35x1.5
55	2.2060.011.0	1	ball bearing 35 x 80 x 21
56	2.1599.502.0/10	1	shoulder ring 35x60x3
57	0.015.0269.0/10	1	gear z=58
58	2.1579.129.0	1	spacer 35x45x10.5
59	2.1559.459.0	2	bushing 35x40x30
60	2.2999.218.0	2	roller cage 40 x 45 x 30
61	2.2999.391.0	2	roller cage 55x60x30
62	0.018.7809.0	1	bushing
63	0.013.8018.3	1	hub
64	0.018.4565.0	1	sleeve
65	0.013.8016.0/10	1	hub
68	0.018.7810.3	1	shaft
69	2.2999.204.0	1	special bearing 50 x 90 x 20
70	0.018.8412.0/10	1	bushing
71	0.016.0734.0/10	1	spacer
72	2.1655.505.0	1	pin
77	0.017.1287.0	1	power take-off shaft Z = 21
78	0.014.5725.0	1	guard
79	2.1651.811.0	2	cylindrical plug 10x24
80	2.0432.161.7	6	stud bolt m 10 p.1.5 / p.1.25 x 40
81	2.1475.003.2	15	washer 10
82	2.1011.421.2	7	nut m 10 p.1.25
83	0.017.1311.0	1	power take-off shaft Z = 6
94	2.1560.009.0	1	gasket 14.2x18
95	2.3120.109.0	1	plug m 14
97	2.0432.167.2	2	stud bolt m 10x1.25x60
99	2.3139.029.2	1	plug

9_Y8938_10_0-B-001

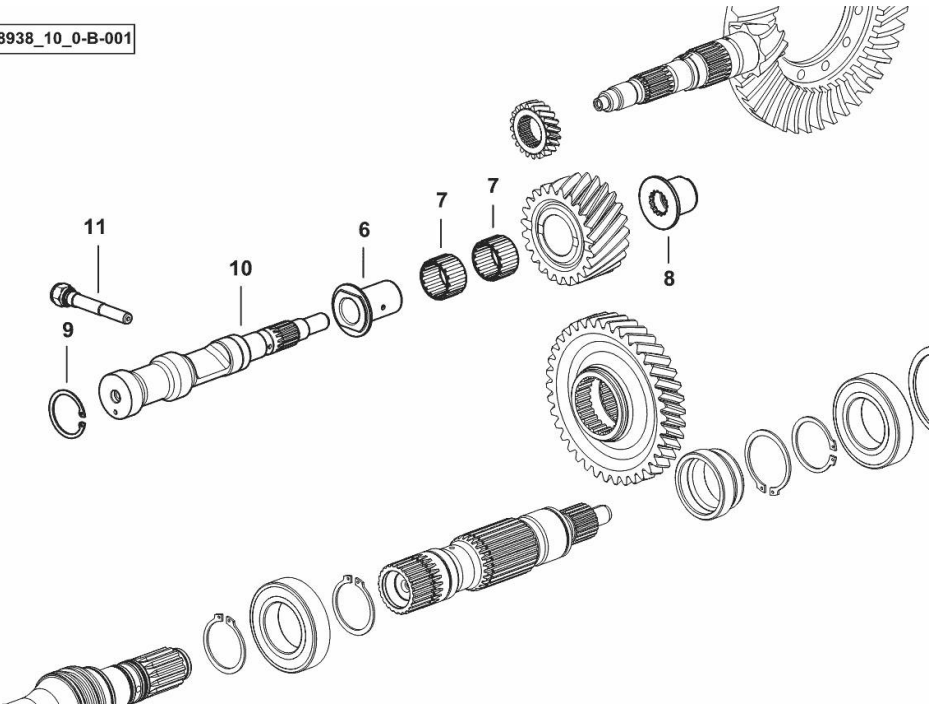


Fig.	P/n	QTY	Name
------	-----	-----	------

Notes:
[XM 110 T4i V-DRIVE]

6	0.018.7420.0/10	1	bushing
7	2.2999.119.0	2	roller cage 32x40x25
8	0.018.5491.0/10	1	bushing
9	2.1411.018.7	1	circlip 45
10	0.018.4539.3/10	1	pin
11	2.3249.592.2/10	1	pipe fitting

Thank you so much for reading.
Please click the “Buy Now!”
button below to download the
complete manual.



After you pay.

You can download the most
perfect and complete manual in
the world immediately.

Our support email:

ebooklibonline@outlook.com