

SERVICE BRAKES - 2095 009 056

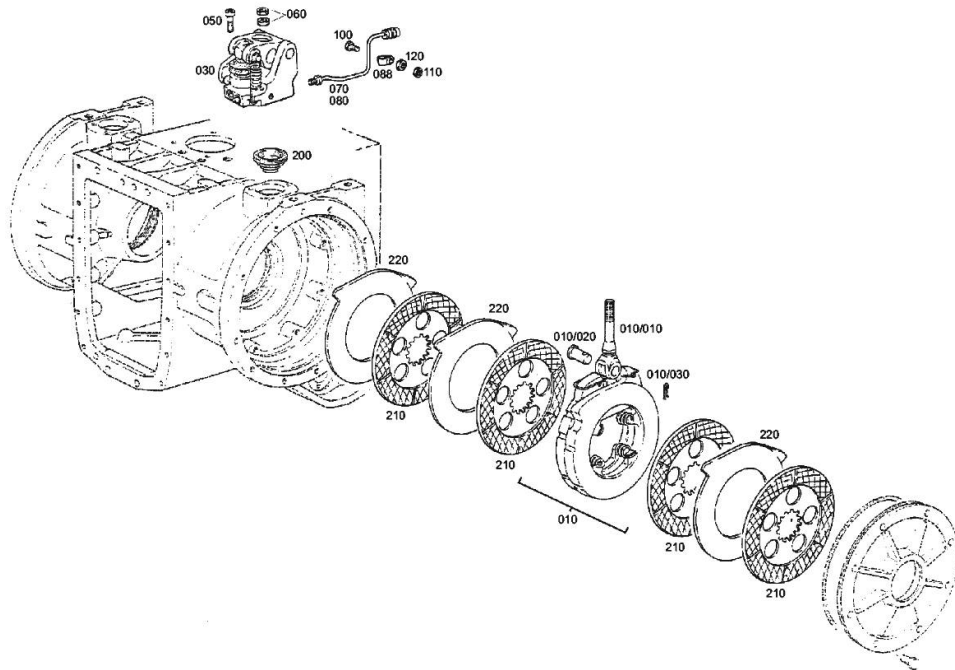


Fig.	P/n	QTY	Name
10	0.900.0800.4	2	transmission brake
10.10	04428551	1	rod
10.20	04435740	1	pin
10.30	04435741	1	split pin
20	0.900.1405.6	4	plug -> (...)
25	0.010.2627.1	4	oil seal 11x2 -> (...)
30	0.900.0800.5	2	operation
50	0.900.0469.7	6	screw m 10 x 40
60	04434557	4	nut m 14 p.1.5
70	04428558	1	tube sx/lh/li
80	04428559	1	tube dx/rh/re
88	0.900.0468.2	2	clamp 6x12
100	0.900.0280.1	2	screw m 5 x 25
110	0.900.0470.2	2	nut m 5
120	0.900.0281.6	2	nut
200	0.900.0800.9	2	rubber bushing
210	0.900.0801.2	8	disc
220	0.900.0801.3	6	disc

BRAKE CONTROLS - 2095 009 056

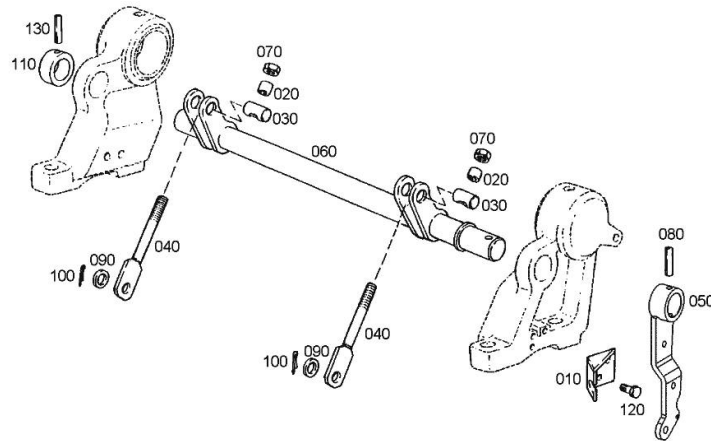
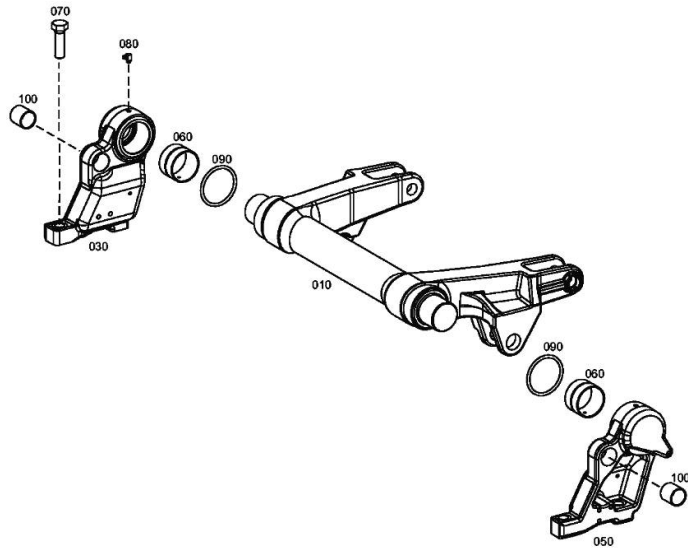


Fig.	P/n	QTY	Name
10	0.010.2901.2	1	support (...) <-
10	0.900.1239.7	1	bracket -> (...)
20	0.010.2902.0	2	bushing (...) <-
20	0.900.1239.8	2	tube -> (...)
30	0.010.2902.1	2	pin (...) <-
30	0.900.1239.9	2	pin -> (...)
40	0.010.3458.2	2	connecting rod (...) <-
40	0.900.1408.4	2	rod -> (...)
50	0.900.0466.8	1	brake lever (...) <-
50	0.900.1240.1	1	lever -> (...)
60	0.900.0955.8	1	shaft (...) <-
60	0.900.1408.5	1	shaft -> (...)
70	0.900.0281.9	2	nut m 12
80	0.010.3459.1	1	roll pin
90	0.900.0466.9	2	washer
100	0.900.0468.1	2	split pin 3.2x18
110	0.010.2904.2	1	ring (...) <-
110	0.900.0957.7	1	ring -> (...) - (...) <-
110	0.900.1240.3	1	spacer -> (...)
120	0.900.0469.4	3	screw m 8 p.1.25 x 20
130	0.900.0290.0	1	roll pin

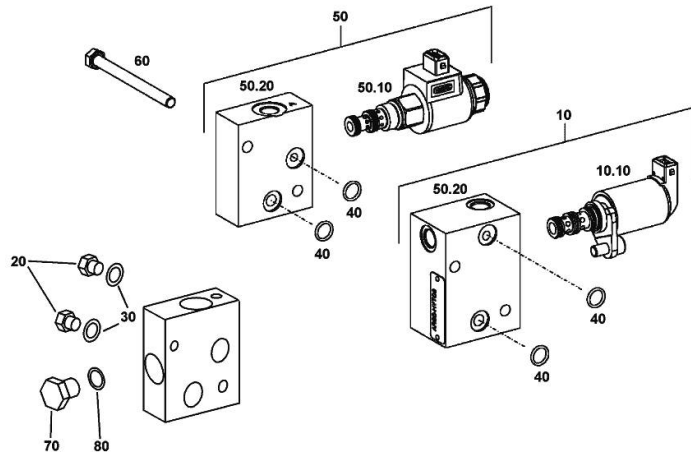
LIFTING - 2095 009 056

Fig.	P/n	QTY	Name
10	0.900.0824.6	1	shaft
30	0.900.0802.9	1	bearing block dx/rh/re (...) <-
30	0.900.1407.9	1	bearing block dx/rh/re > (...)
50	0.900.0803.0	1	bearing block sx/lh/li (...) <-
50	0.900.1408.0	1	bearing block sx/lh/li > (...)
60	04417549	2	special bushing
70	0.900.0469.1	4	screw m 20x65
80	04427636	2	grease gun m 8 p.1 x 8
90	04417552	2	ring 78.5x6
100	0.010.3844.1	2	bearing



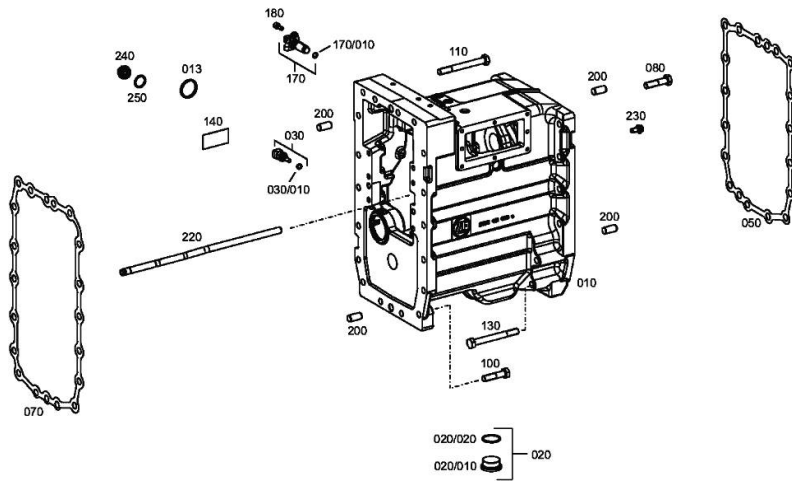
DRIVE FOR GEAR CHANGE BOX - 2095 009 056

Fig.	P/n	QTY	Name
10	0.900.0952.1	1	control
10.10	0.900.0952.8	1	solenoid valve DV
20	04434512	2	plug m 10 p.1 (...) <-
30	0.900.0290.7	2	circlip (...) <-
40	0.900.0801.4	4	ring 11,3 x 2,4 NBR-70-10
50	0.010.2628.2	1	control (...) <-
50	0.900.0993.3	1	control -> (...) - (...) <-
50	0.900.1363.3	1	small block -> (...)
50.10	0.900.1384.6	1	solenoid valve
60	0.900.0279.5	2	screw (...) <-
60	0.900.1363.4	2	screw -> (...)
70	0.900.0281.0	1	plug m 14 p.1.5 (...) <-
80	04423731	1	oil seal 14 x 18 (...) <-



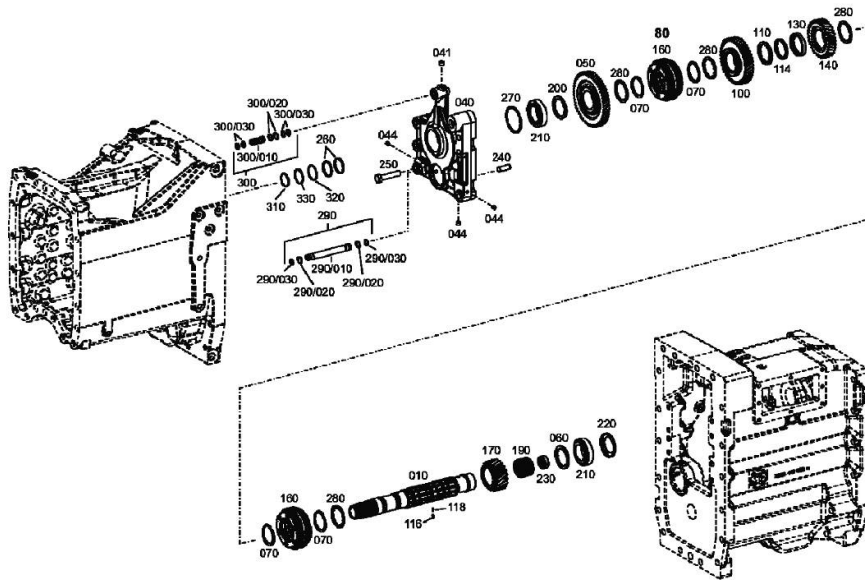
GEARBOX - 2095 009 057

Fig.	P/n	QTY	Name
10	0.900.0956.0	1	gear box
13	0.010.2845.2	1	oil seal 38x4
20	04435197	1	plug
20.20	02315144	1	oil seal 38x2.5
30	0.900.0800.6	1	temperature gauge
30.10	0.900.0801.6	1	ring 11x2 ZFN 744 FPM-80-10
50	0.900.1407.7	1	gasket
50	04416085	1	gasket mm 0.25
50	04416086	1	gasket mm 0.20
70	04416087	1	gasket
80	0.010.2887.1	13	screw m 14 x 60
100	0.010.2887.1	12	screw m 14 x 60
110	0.010.3354.1	6	screw m 14x130
130	0.010.3354.1	4	screw m 14x130
140	04416088	1	number plate
170	04438450	1	speed sensor L = 53,0mm
170.10	04417747	1	oil seal 15.54x2.62
180	04434551	1	screw m 8 p.1.25 x 20
200	04416090	4	cylindrical plug 16 m 6x30
220	0.010.3437.0	1	flexible hose
220.20	0.010.3344.1	1	circlip 15x1
220.30	06214801	1	oil seal 12x1.5
230	04416628	1	screw
240	0.010.3594.0	1	tube
250	0.010.2899.0	1	gasket 26x31



LAYSHAFT - 2095 009 057

Fig.	P/n	QTY	Name
10	0.900.0284.6	1	shaft - UP TO TRANSMISSION SERIAL No. ZF 1760792
10	0.900.0956.3	1	shaft - FROM ZF GEARBOX SERIAL NO.: 1760793
40	0.900.0284.0	1	support (...) <-
40	0.900.1289.3	1	cap -> (...)
41	0.010.3780.2	1	plug (...) <-
41	0.900.1281.5	1	plug -> (...)
44	04415909	3	ball
50	0.900.0284.4	1	gear z = 53 - UP TO TRANSMISSION SERIAL No. ZF 1760792
50	0.900.0956.2	1	gear - FROM ZF GEARBOX SERIAL NO.: 1760793
60	04416108	1	shim mm 3.2
70	04416096	4	circlip
80	0.900.0277.7	1	lock synchronizer - UP TO TRANSMISSION SERIAL No. ZF 1760792
100	0.900.0956.1	1	gear -> (...)
100	04438441	1	gear Z = 41 (...) <-
110	04416099	1	shim mm 4.0
114	04416100	1	ring
116	04416101	1	pin 4x8
118	04416102	1	pin 2.5x8
130	04416103	1	shim
140	0.900.0284.5	1	gear - UP TO TRANSMISSION SERIAL No. ZF 1760792
160	0.900.0462.5	1	lock synchronizer - UP TO TRANSMISSION SERIAL No. ZF 1760792
170	0.900.0284.7	1	gear wheel
190	0.900.2223.5	1	needle
200	0.010.3418.0	1	washer mm 3.3
200	0.010.3418.1	1	washer mm 3.4
200	0.900.1407.1	1	slewing ring
200	04416108	1	shim mm 3.2
200	04416109	1	shim mm 3.5
210	04416110	2	roller bearing
220	02374320	1	fan
230	04416112	1	bearing



MAIN SHAFT - 2095 009 057

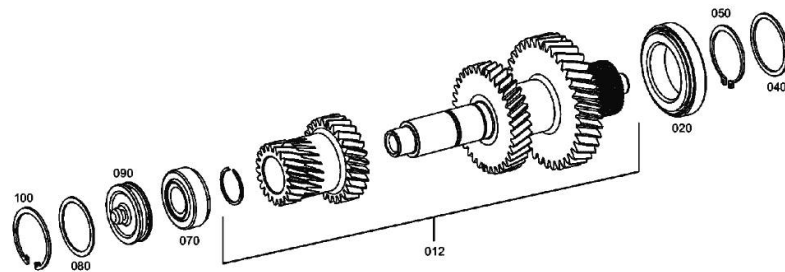


Fig.	P/n	QTY	Name
12	0.900.0283.2	1	main shaft
20	04438468	1	roller bearing
40	0.000.0000.1	1	cannot be supplied
40	04417041	1	washer mm 1.90
40	04417042	1	washer mm 1.95
40	04417043	1	washer mm 2.00
40	04417044	1	washer mm 2.05
40	04417045	1	washer mm 2.10
40	04417046	1	washer mm 2.15
40	04417047	1	washer mm 2.20
40	04417048	1	washer mm 2.25
40	04417049	1	washer mm 2.30
40	04417050	1	washer mm 2.35
40	04417051	1	washer mm 2.40
40	04417052	1	washer mm 2.45
40	04417053	1	washer mm 2.50
40	04417054	1	washer mm 2.55
40	04417055	1	washer mm 2.60
40	04424430	1	washer mm 2.65
40	04424431	1	washer mm 2.70
40	04424432	1	washer mm 2.75
40	04424433	1	washer mm 2.80
40	04424434	1	washer mm 2.85
40	04424435	1	washer mm 2.90
50	0.010.3345.2	1	circlip 52x2
70	04368537	1	roller bearing
80	0.000.0000.1	1	cannot be supplied
80	0.010.3395.0	1	small block mm 1.75
80	0.010.3395.1	1	small block mm 1.80
80	04416486	1	shim mm 1.30
80	04416487	1	shim mm 1.35
80	04416488	1	shim mm 1.40
80	04416489	1	shim mm 1.45
80	04416490	1	shim mm 1.50
80	04416491	1	shim mm 1.55
80	04416492	1	shim mm 1.60
80	04416493	1	shim mm 1.65
80	04416494	1	shim mm 1.70
90	04416612	1	ring
100	04416121	1	circlip 57x2

DRIVE - 2095 009 057

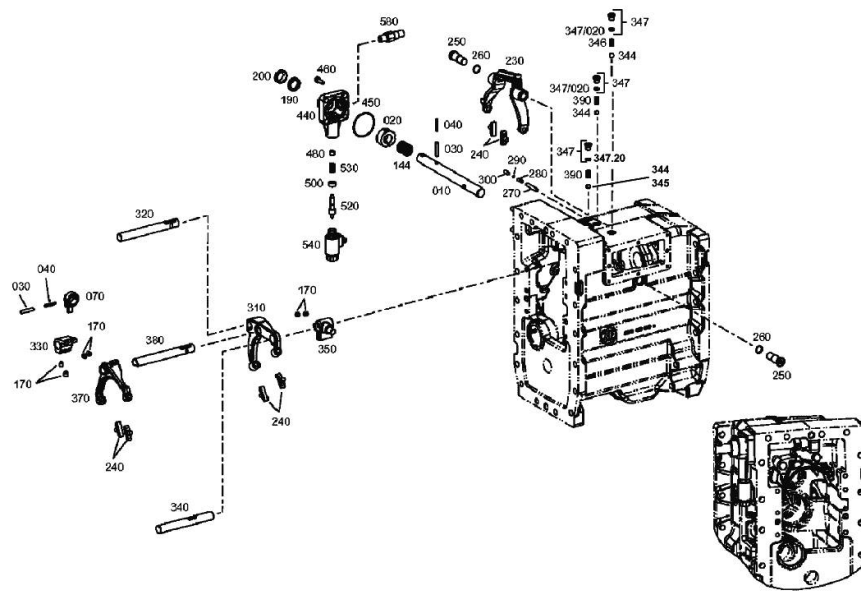
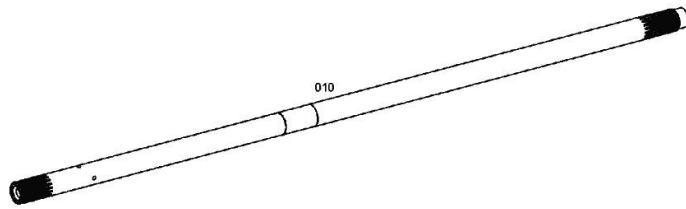


Fig.	P/n	QTY	Name
10	0.900.0285.4	1	shaft
20	0.900.0285.3	1	ring
30	04416371	2	pin
40	04416191	2	pin 5 x 36
70	0.900.0284.8	1	lever
144	0.900.0283.1	1	clip
170	01272647	9	stud bolt L = 13.7
190	04415773	1	oil seal 25x35x7
200	04415774	1	oil seal AS 25x35x7x10
230	0.900.0956.5	1	fork
240	04415779	6	shoe
250	04416145	2	screw
260	0.010.2619.1	2	oil seal 17x2
270	04415787	1	ferrule
280	01299482	1	spring
290	04415788	1	circlip B 7 din 7993
300	04416148	1	ferrule
310	0.900.0956.7	1	fork
320	0.900.0285.7	1	rod (...) <-
320	0.900.1408.7	1	rod -> (...)
330	04416151	1	control panel
340	0.900.0285.6	1	rod
344	04309268	3	ball (...) <-
345	0.900.0279.4	1	ball (...) <-
346	01272113	1	spring
347	04434335	3	screw
347.20	04415796	1	oil seal 9.5x2
350	0.900.0285.1	1	driver
370	0.900.0956.4	1	fork - FROM ZF GEARBOX SERIAL NO.: 1760793
370	0.900.0956.6	1	fork - UP TO TRANSMISSION SERIAL No. ZF 1760792
380	0.900.0285.5	1	rod (...) <-
380	0.900.1408.6	1	rod -> (...)
390	04416041	2	spring
440	0.900.0285.2	1	cover
450	0.900.0279.0	1	ring
460	04434546	2	screw m 8 x 30

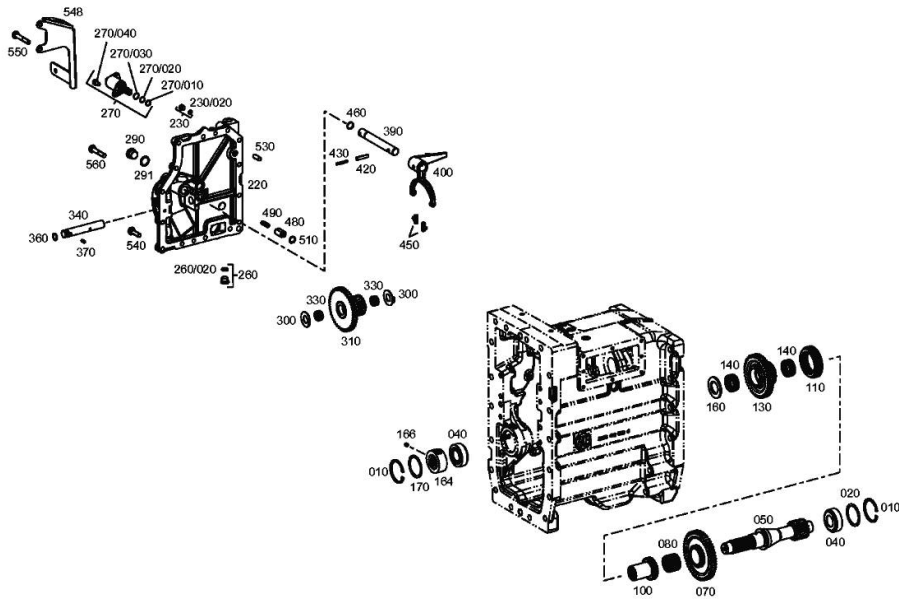
P.T.O. - POWER TAKE OFF - 2095 009 057

Fig.	P/n	QTY	Name
10	0.900.0066.8	1	transmission shaft



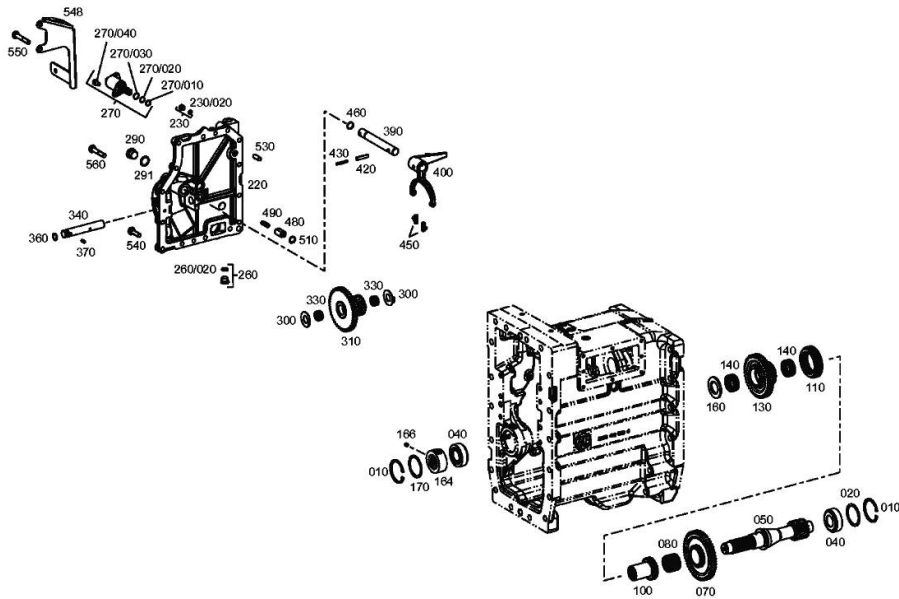
SUPER REDUCTION GEAR UNIT - 2095 009 057

Fig.	P/n	QTY	Name
10	0.010.3346.0	2	circlip 62 x 2 -> (...)
10	0.900.0289.6	2	circlip (...) <-
20	04416620	1	shim mm 1.50
40	04431639	2	bearing (...) <-
50	04416170	1	shaft
70	04416172	1	gear
80	04416107	1	roller cage
100	04416173	1	support
110	04416174	1	sleeve
130	04431646	1	gear z=41 z=25 (...) <-
140	04416176	2	roller cage
160	04416177	1	shim
164	04416178	1	ring
166	04416179	1	pin 8x10
170	0.000.0000.1	1	cannot be supplied
170	0.010.2611.0	1	shim mm 1.72
170	0.010.2611.1	1	shim mm 1.74
170	0.010.2611.2	1	shim mm 1.76
170	0.010.2612.0	1	shim mm 1.78
170	0.010.2612.1	1	shim mm 1.82
170	0.010.2612.2	1	shim mm 1.84
170	0.010.2612.3	1	shim mm 1.86
170	0.010.2613.0	1	shim mm 1.88
170	0.010.2613.1	1	shim mm 1.92
170	0.010.2613.2	1	shim mm 1.94
170	0.010.2613.3	1	shim mm 1.96
170	0.010.2614.0	1	shim mm 1.98
170	0.010.2614.1	1	shim mm 2.02
170	0.010.2614.2	1	shim mm 2.04
170	0.010.2614.3	1	shim mm 2.06
170	0.010.2615.0	1	shim mm 2.08
170	0.010.2615.1	1	shim mm 1.05
170	0.010.2615.2	1	shim mm 1.10
170	0.010.2615.3	1	shim mm 1.15
170	0.900.1279.5	1	shim
170	04416454	1	shim mm 1.30
170	04416455	1	shim mm 1.70
170	04416456	1	shim mm 1.90
170	04416457	1	shim mm 2.10
170	04416458	1	shim mm 2.30



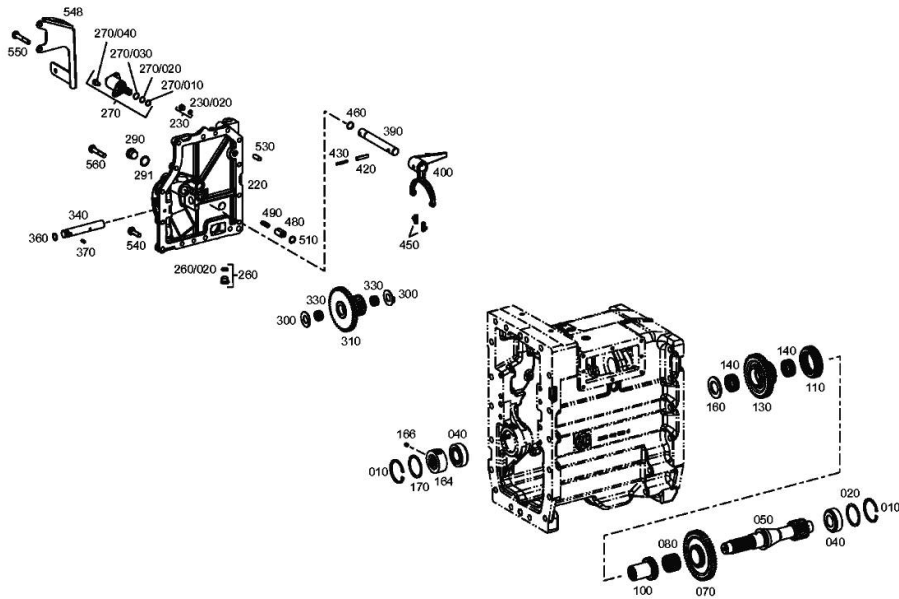
SUPER REDUCTION GEAR UNIT - 2095 009 057

Fig.	P/n	QTY	Name
170	04416459	1	shim mm 1.20
170	04416460	1	shim mm 1.25
170	04416461	1	shim mm 1.35
170	04416462	1	shim mm 1.40
170	04416463	1	shim mm 1.45
170	04416471	1	shim mm 1.60
170	04416472	1	shim mm 1.65
170	04416473	1	shim mm 1.75
170	04416474	1	shim mm 1.80
170	04416475	1	shim mm 1.85
170	04416476	1	shim mm 1.95
170	04416477	1	shim mm 2.00
170	04416478	1	shim mm 2.05
170	04416479	1	shim mm 2.15
170	04416480	1	shim mm 2.20
170	04416481	1	shim mm 2.25
170	04416482	1	shim mm 2.35
170	04416483	1	shim mm 2.40
170	04416484	1	shim mm 2.45
170	04416485	1	shim mm 2.50
170	04416620	1	shim mm 1.50
220	0.900.0285.8	1	cover (...) <-
220	0.900.0957.2	1	cover -> (...)
230	0.900.1381.4	1	plug
230.20	04415683	1	oil seal 8x1.5
260	04435199	1	screw
260.20	02315162	1	oil seal 13x2
270	0.900.0952.8	1	solenoid valve DV -> (...)
270	04431661	1	solenoid valve (...) <-
270.10	0.900.1377.5	1	gasket 12,4 x 1,78 -> (...)
270.10	04417841	1	ring 16.36x2.21 (...) <-
270.20	0.900.1377.6	1	gasket 13 x 1.5 -> (...)
270.20	04417842	1	oil seal 12x2 (...) <-
270.30	0.900.1377.7	1	gasket 14x1.78 -> (...)
270.30	04417843	1	ring 10.82x1.78



SUPER REDUCTION GEAR UNIT - 2095 009 057

Fig.	P/n	QTY	Name
			(...) <-
270.40	0.900.1377.8	1	screw m 8 x 16
			-> (...)
290	0.010.2622.3	1	screw m 22 x 1.5
291	01118737	1	oil seal 22 x 27
300	04416185	2	shim
310	0.900.0957.3	1	gear
			-> (...)
310	04416186	1	gear wheel
			(...) <-
330	04416187	2	roller cage
340	04416188	1	pin
360	0.010.3351.2	1	oil seal 16x2
370	0.010.3349.2	1	roll pin 6 x 14
390	04416189	1	shaft
400	04416190	1	fork
420	0.010.3348.2	1	roll pin 8x36
			-> (...)
420	0.900.0290.2	1	roll pin
			(...) <-
430	04416191	1	pin 5 x 36
450	04416192	2	shoe
460	0.900.0290.3	1	ring
			(...) <-
460	01295688	1	oil seal 17x1.5
			-> (...)
480	04416193	1	pin
490	04416194	1	spring
510	0.010.3346.1	1	circlip 18x1
			-> (...)
510	0.900.0289.7	1	circlip
			(...) <-
520	04416195	1	ring
			(...) <-
530	0.900.0953.3	2	cylindrical plug
540	04434540	8	screw m 10 x 35
548	0.900.0286.0	1	plate
550	04434554	2	screw m 6 x 60
560	0.010.3353.2	4	screw m 10 x 55



BEVEL WHEEL GEAR - 2095 009 057

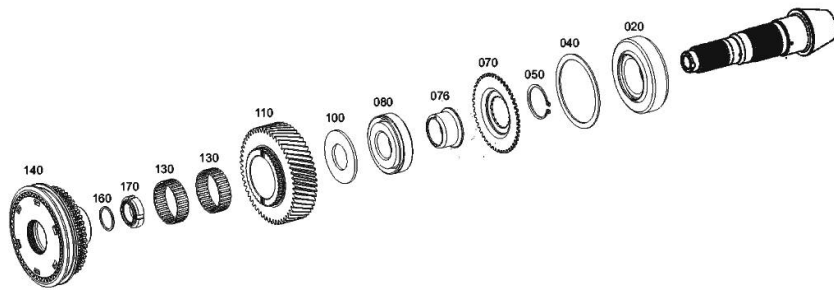
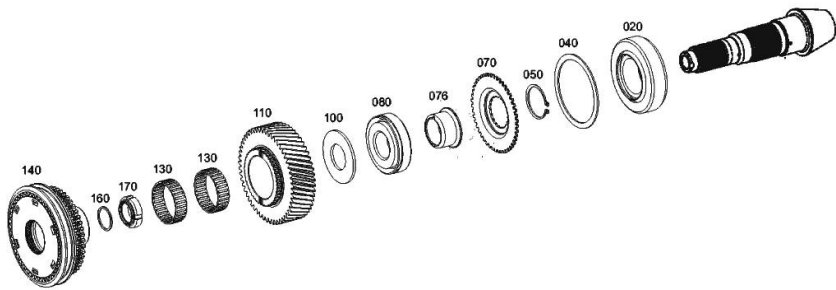


Fig.	P/n	QTY	Name
20	04416184	1	roller bearing
40	0.010.3395.2	1	shim mm 2.375
40	0.010.3396.0	1	shim mm 2.425
40	0.010.3396.1	1	shim mm 2.475
40	0.010.3396.2	1	shim mm 2.525
40	0.010.3397.0	1	shim mm 2.575
40	0.010.3397.1	1	shim mm 2.625
40	0.900.1407.2	1	shim
40	04417579	1	shim mm 2.30
40	04417580	1	shim mm 2.35
40	04417581	1	shim mm 2.40
40	04417582	1	shim mm 2.45
40	04417583	1	shim mm 2.50
40	04417584	1	shim mm 2.55
40	04417585	1	shim mm 2.60
40	04417586	1	shim mm 2.65
40	04417587	1	shim mm 2.70
40	04419160	1	shim mm 1.90
40	04419161	1	shim mm 1.95
40	04419162	1	shim mm 2.00
40	04419163	1	shim mm 2.05
40	04419164	1	shim mm 2.10
40	04419165	1	shim mm 2.15
40	04419166	1	shim mm 2.20
40	04419167	1	shim mm 2.25
50	0.010.3345.1	1	circlip 50x2
70	04416382	1	lock washer
76	04416383	1	spacer
80	04433898	1	roller bearing
100	04416387	1	shim
110	0.900.0286.2	1	gear wheel
130	04416389	2	roller cage
140	0.900.0277.6	1	lock synchronizer
160	0.900.1407.3	1	shim
160	04416561	1	shim mm 1.60
160	04416562	1	shim mm 1.65
160	04416563	1	shim mm 1.70
160	04416564	1	shim mm 1.75
160	04416565	1	shim mm 1.80
160	04416566	1	shim mm 1.85
160	04416567	1	shim mm 1.90
160	04416568	1	shim mm 1.95
160	04416569	1	shim mm 2.00
160	04416570	1	shim mm 2.05

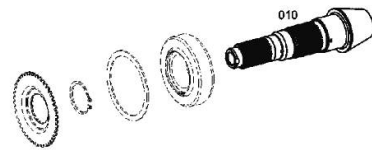
BEVEL WHEEL GEAR - 2095 009 057

Fig.	P/n	QTY	Name
160	04416571	1	shim mm 2.10
160	04416572	1	shim mm 2.15
160	04416573	1	shim mm 2.20
160	04416574	1	shim mm 2.25
160	04416575	1	shim mm 2.30
160	04416576	1	shim mm 2.35
160	04416577	1	shim mm 2.40
160	04416578	1	shim mm 2.45
160	04416579	1	shim mm 2.50
170	04416391	1	nut



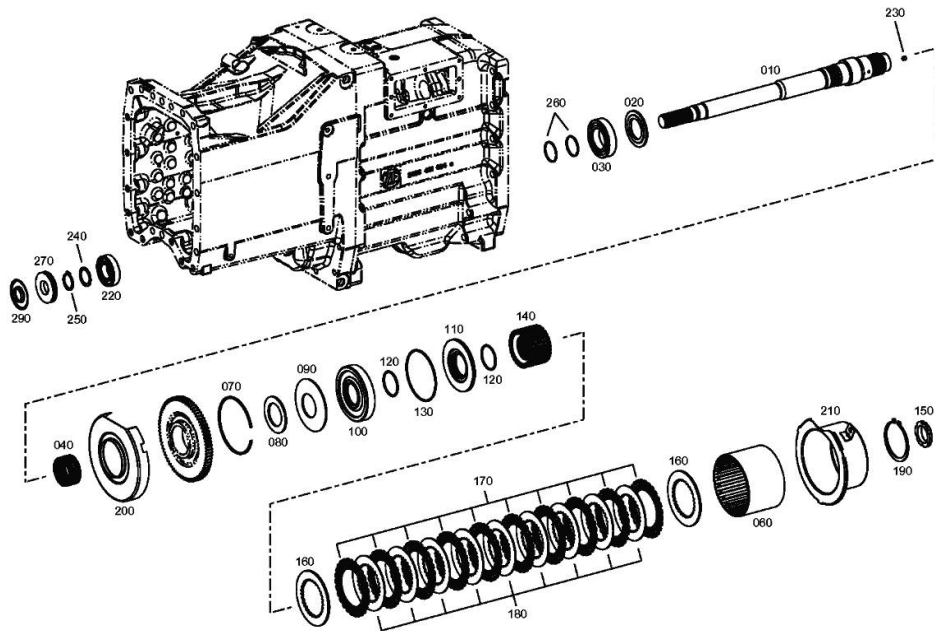
BEVEL WHEEL GEAR - 2095 009 057

Fig.	P/n	QTY	Name
10	0.900.1409.3	1	pinion Z = 10



FRONT TRANSMISSION - 2095 009 057

Fig.	P/n	QTY	Name
10	0.900.1500.2	1	shaft
20	0.900.1501.1	1	slewing ring
30	0.010.3422.0	1	ball bearing
40	0.900.1499.5	1	roller cage
60	0.900.1500.7	1	flange
70	0.900.0985.1	1	circlip
80	0.900.1500.4	1	slewing ring
90	0.900.1497.9	1	spring
100	0.900.1500.5	1	cylinder
110	0.900.1500.6	1	piston
120	02315157	2	oil seal
130	0.900.1498.6	1	oil seal
140	0.900.1500.8	1	flange
150	0.900.1500.9	1	ring nut
160	0.900.1501.0	2	disc
170	0.900.1498.0	10	disc
180	04416413	9	disc mm 2.0
190	0.900.1498.5	1	ring
200	04416405	1	division
210	0.900.1501.3	1	plate
220	04436319	1	ball bearing
230	0.900.1249.5	1	screw m 8x8
240	0.010.3368.1	1	washer mm 2.20
240	0.010.3368.2	1	washer mm 2.40
240	0.010.3392.0	1	washer mm 1.10
240	0.010.3392.1	1	shim mm 1.20
240	0.010.3392.2	1	washer mm 1.30
240	0.010.3393.0	1	washer mm 1.40
240	0.010.3393.1	1	washer mm 1.50
240	0.010.3393.2	1	washer mm 1.60
240	0.010.3394.0	1	washer mm 1.70
240	0.010.3394.1	1	washer mm 1.80
240	0.010.3394.2	1	washer mm 2.00
240	0.900.1407.4	1	disc
240	04416581	1	shim mm 1.90
240	04416582	1	shim mm 2.10
240	04416583	1	shim mm 2.30
240	04416584	1	shim mm 2.50
240	04416585	1	shim mm 2.70
240	04416586	1	shim mm 2.90
240	04416587	1	shim mm 3.10
250	01273026	1	circlip 35x2.5
260	04416404	2	ring 48x2.5
270	04416409	1	ring



Thank you so much for reading.
Please click the “Buy Now!”
button below to download the
complete manual.



After you pay.

You can download the most
perfect and complete manual in
the world immediately.

Our support email:

ebooklibonline@outlook.com