

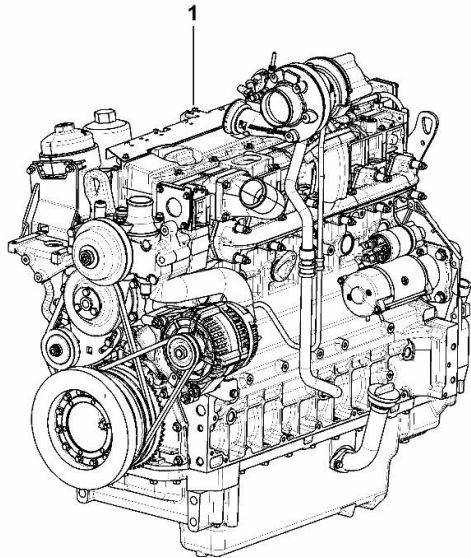
ENGINE TCD 2012 L06 2V DCR

Fig.	P/n	QTY	Name
------	-----	-----	------

Notes:

- EXPORT U.S.A. [XM 115 HI-LEVEL DCR ->ZKDT740200TH15001]

1	25009799	1	engine TCD 2012 L06 2V DCR ON ORDERING PLEASE ENGINE NO. REQUIRED
---	----------	---	---



9_Q6919_07_0-A-001

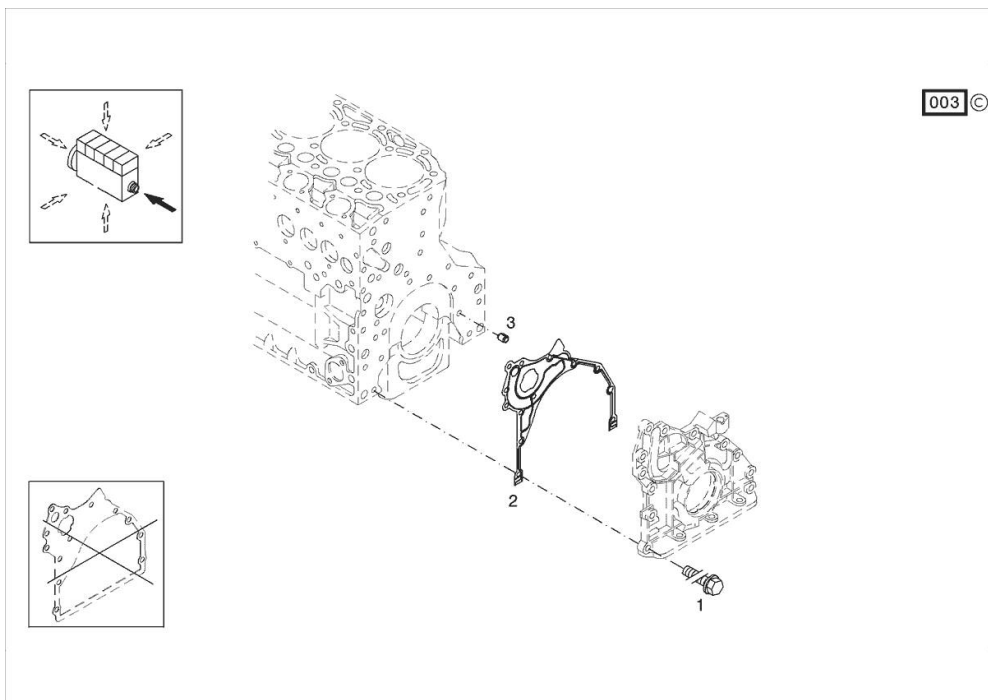
FASTENINGS

Fig.	P/n	QTY	Name
------	-----	-----	------

Notes:

[XM 115 HI-LEVEL DCR ->ZKDT740200TH15001]

1	01183645	12	screw EN 1662 -F-M8X35-10.9-ZNAL-A
2	04504325	1	gasket
3	01181406	1	bushing H 2341 -B11X8-FE/ZN12C*



XM 115 HI-LEVEL DCR ->ZKDT740200TH15001

Section: B0 - ENGINE

Ref: B0.01.2

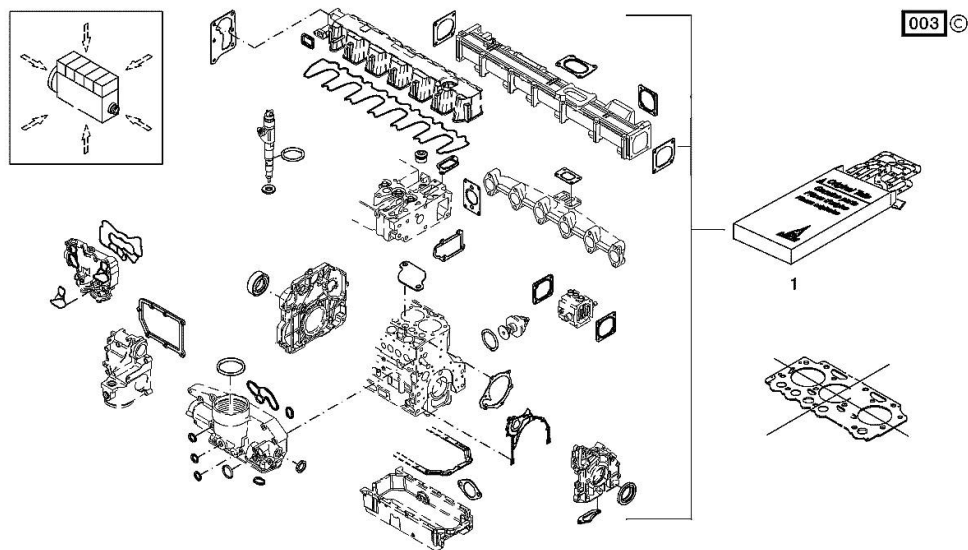
SERIE GUARNIZIONI

Fig.	P/n	QTY	Name
------	-----	-----	------

Notes:

[XM 115 HI-LEVEL DCR ->ZKDT740200TH15001]

1	02937588	1	gasket set THE KIT DOES NOT CONTAIN ALL THE GASKETS: SEE SM 0199-99-9449
---	----------	---	--



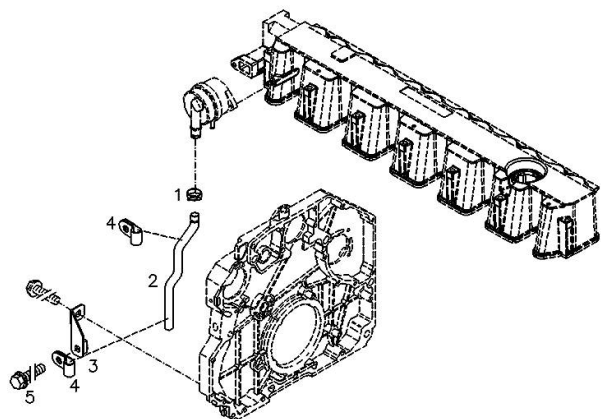
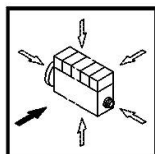
BLEEDING TUBE

Fig.	P/n	QTY	Name
------	-----	-----	------

Notes:

[XM 115 HI-LEVEL DCR ->ZKDT740200TH15001]

1	01178750	1	clamp DIN 3021 -A-29X15
2	04290751	1	tube
3	04291288	1	bracket
4	01173523	2	fascia DIN 3016 -1-A1-25X20-W1-2
5	01181433	2	screw EN 1662 -F-M8X20-LG2,5-10.9-ZNAL-A



000 ©

ACCESSORIES

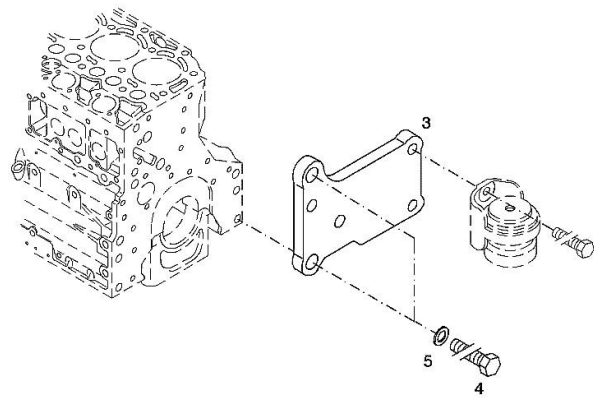
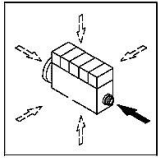
Fig.	P/n	QTY	Name
------	-----	-----	------

Notes:

[XM 115 HI-LEVEL DCR ->ZKDT740200TH15001]

3	04288659	1	support
4	01148261	2	screw ISO 4017 -M16X40-10.9-ZNAL-A
5	01181400	2	washer H 2308 -18X25X1,5-A4C

006 ©



ACCESSORIES

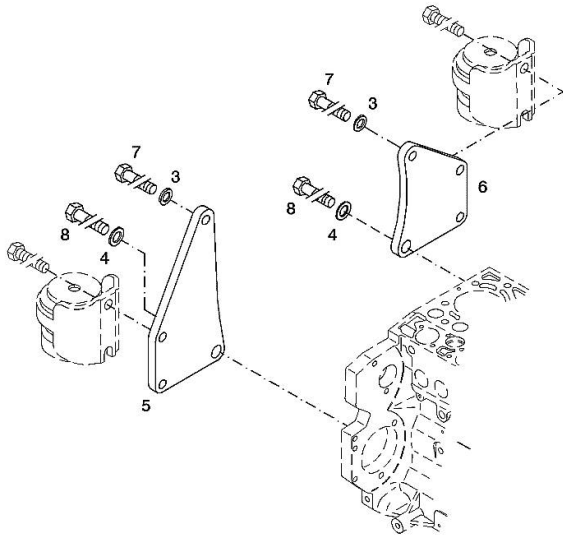
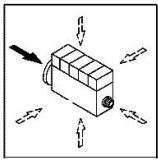
Fig.	P/n	QTY	Name
------	-----	-----	------

Notes:

[XM 115 HI-LEVEL DCR ->ZKDT740200TH15001]

3	01182016	2	disc H 2308 -13X24X3-ZNAL-A
4	01181400	2	washer H 2308 -18X25X1,5-A4C
5	04206926	1	plate dx/rh/re
6	04206927	1	plate sx/lh/li
7	01148137	2	screw - UP TO MONTH OF ASSEMBLY (A) - FROM MONTH OF ASSEMBLY SEE POS. (B) A = 06.2009 B = POS. 950 DIN 931 -M12X75-10.9-ZNAL-A
8	01148037	2	screw UP TO MONTH OF ASSEMBLY (A) - FROM MONTH OF ASSEMBLY SEE POS. (B) A = 06.2009 B = POS. 951 ISO 4014 -M16X75-10.9-OELGESCHW
950	01149017	2	screw - FROM MONTH OF ASSEMBLY SEE POS. (B) - UP TO MONTH OF ASSEMBLY (A) FROM MONTH OF ASSEMBLY A = 07.2009 B = 7 DIN 34800 -BM12X75-10.9-ZNAL-A
951	01180235	2	screw - FROM MONTH OF ASSEMBLY SEE POS. (B) - UP TO MONTH OF ASSEMBLY (A) FROM MONTH OF ASSEMBLY A = 07.2009 B= Pos.8 H 2032 -HBM16X75-10.9-GESCHW

003 ©



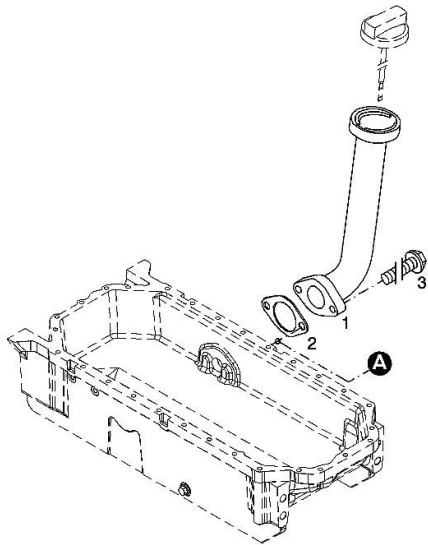
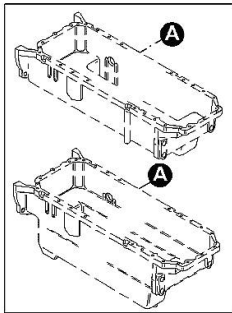
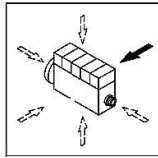
OIL FILLER NECK

Fig.	P/n	QTY	Name
------	-----	-----	------

Notes:

[XM 115 HI-LEVEL DCR ->ZKDT740200TH15001]

1	04207099	1	tube
2	01178421	1	gasket
3	01181433	2	screw
			30 Nm



001 ©

XM 115 HI-LEVEL DCR ->ZKDT740200TH15001

Section: B0 - ENGINE

Ref: B0.01.13

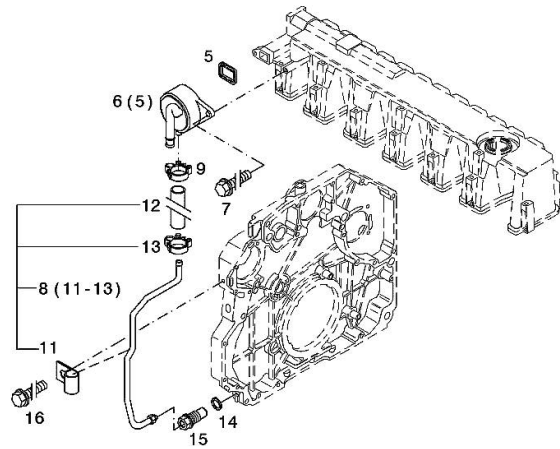
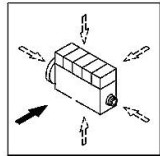
CRANKCASE BREATHER

Fig.	P/n	QTY	Name
------	-----	-----	------

Notes:

[XM 115 HI-LEVEL DCR ->ZKDT740200TH15001]

5	04298547	1	rubber plug
6	04905110	1	breather WITH POS.... (5)
7	01181432	2	screw m8x30 EN 1662 -F-M8X30-10.9-ZNAL-A
8	04504876	1	tube WITH POS.... 11-13
9	01182878	1	fascia H 3461 -F-13,0/8
11	02144961	1	fascia
12	04288507	1	rubber tube H 3407 -F8X14X57-EAM/ARAMID/EAM
13	01182878	1	fascia H 3461 -F-13,0/8
14	01118737	1	oil seal 22 x 27 DIN 7603 -A22X27-CU
15	04505853	1	pipe union
16	01181442	1	screw m6x12 EN 1662 -F-M6X12-10.9-ZNAL-A



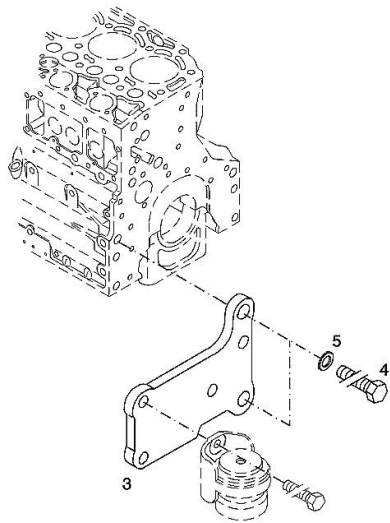
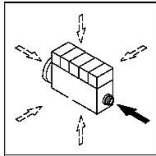
ACCESSORIES

Fig.	P/n	QTY	Name
------	-----	-----	------

Notes:

[XM 115 HI-LEVEL DCR ->ZKDT740200TH15001]

3	04288660	1	support
4	01148261	2	screw ISO 4017 -M16X40-10.9-ZNAL-A
5	01181400	2	washer H 2308 -18X25X1,5-A4C



003 ©

XM 115 HI-LEVEL DCR ->ZKDT740200TH15001

Section: B0 - ENGINE

Ref: B0.01.16

FILLER CAP

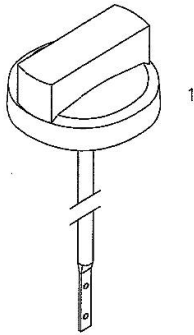
Fig.	P/n	QTY	Name
------	-----	-----	------

Notes:

[XM 115 HI-LEVEL DCR ->ZKDT740200TH15001]

1	01180286	1	plug H 2875 -B2-OL40-166X4-130X12
---	----------	---	--------------------------------------

000



0507 1178

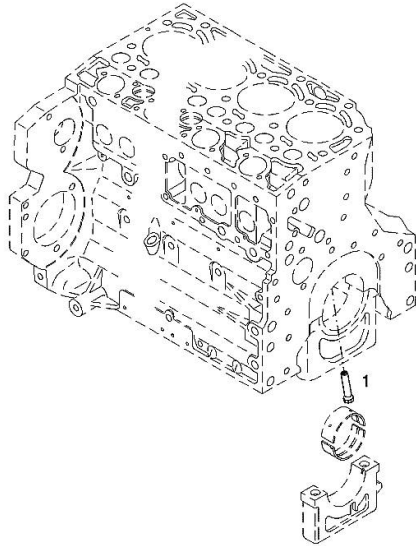
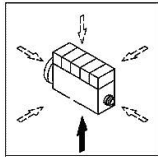
PISTON COOL.NOZZLE

Fig.	P/n	QTY	Name
------	-----	-----	------

Notes:

[XM 115 HI-LEVEL DCR ->ZKDT740200TH15001]

1	04207521	1	sprayers
---	----------	---	----------



001 ©

XM 115 HI-LEVEL DCR ->ZKDT740200TH15001

Section: B0 - ENGINE

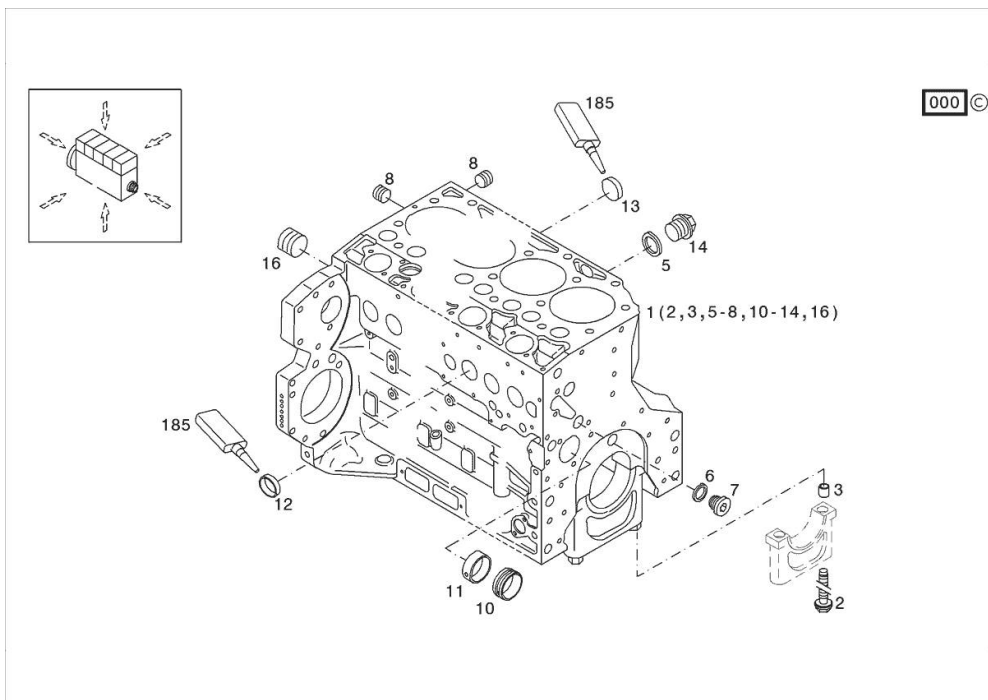
Ref: B0.01.18

KURBELGEHAEUSE

Fig.	P/n	QTY	Name
------	-----	-----	------

Notes:

[XM 115 HI-LEVEL DCR ->ZKDT740200TH15001]



185	01319910	1	guard
1	04296586	1	crankcase kpl. MIT POS.... WITH ITEM.... (2,3,5-8,10-14,16)
2	04254240	14	screw 50 Nm , 90° , 90°
3	04160764	14	bushing
5	01118693	2	gasket 14x20 DIN 7603 -A14X20-CU
6	01101342	1	oil seal DIN 7603 -D22X27-CU
7	04292706	1	plug 80 Nm
8	01182031	2	screw 35 Nm H 2812 -906-M14X1,5-ST-A3C-LOCTITE506
10	04251884	6	plug
11	04250086	1	ring
12	01148032	9	cover DIN 443 -A45-ZNPHR
13	01148031	6	plug DIN 443 -A36-ZNPHR
14	01100940	2	screw 35 Nm DIN 7604 -AM14X1,5-ST-A4C
16	04226536	1	bottom 30 Nm

XM 115 HI-LEVEL DCR ->ZKDT740200TH15001

Section: B0 - ENGINE

Ref: B0.01.23

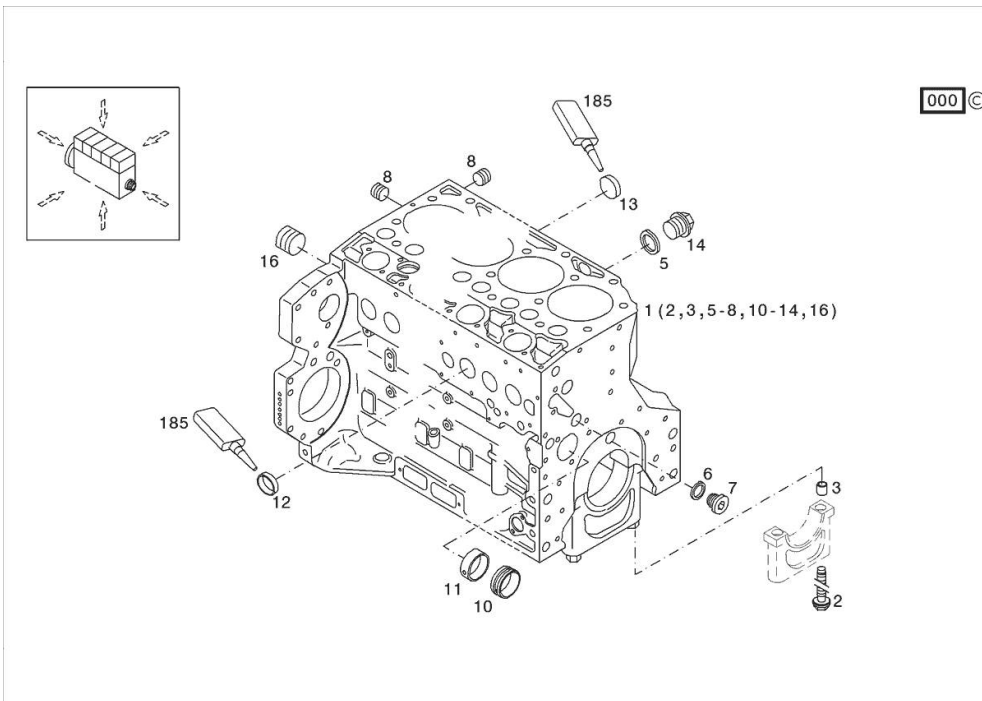
KURBELGEHAEUSE

Fig.	P/n	QTY	Name
------	-----	-----	------

Notes:

[XM 115 HI-LEVEL DCR ->ZKDT740200TH15001]

185	01319910	1	guard
1	04506856	1	crankcase MIT POS.... (2,3,5-8,10-14,16)
2	04254240	14	screw 50 Nm , 90° , 90°
3	04160764	14	bushing
5	01118693	2	gasket 14x20 DIN 7603 -A14X20-CU
6	01101342	1	oil seal DIN 7603 -D22X27-CU
7	04292706	1	plug 80 Nm
8	01182031	2	screw 35 Nm H 2812 -906-M14X1,5-ST-A3C-LOCTITE506
10	04251884	6	plug
11	04250086	1	ring
12	01148032	9	cover DIN 443 -A45-ZNPHR
13	01148031	6	plug DIN 443 -A36-ZNPHR
14	01100940	2	screw 35 Nm DIN 7604 -AM14X1,5-ST-A4C
16	04226536	1	bottom 30 Nm



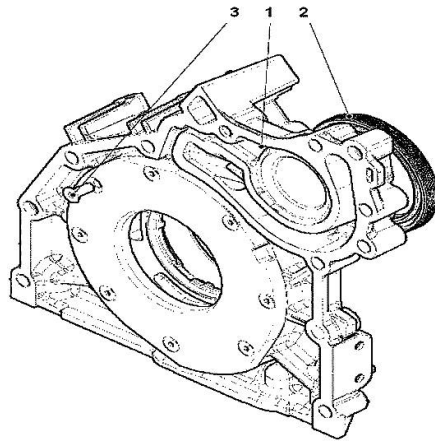
FLANGE

Fig.	P/n	QTY	Name
------	-----	-----	------

Notes:

[XM 115 HI-LEVEL DCR ->ZKDT740200TH15001]

1	04502445	1	oil pump WITH POS.... (2,3)
2	04502202	1	special oil seal
3	01133718	8	screw 8.5 Nm DIN 7991 -M6X16-8.8-A4C



000

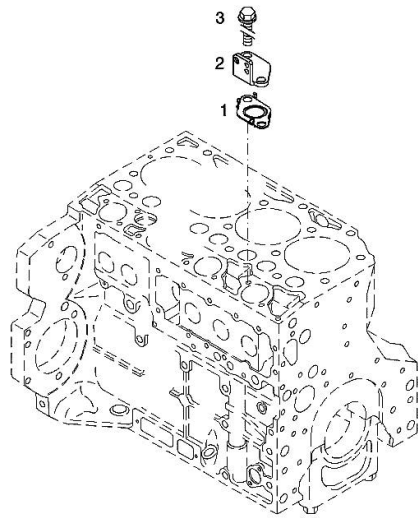
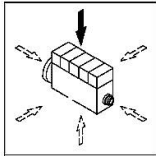
CLOSING COMPONENTS

Fig.	P/n	QTY	Name
------	-----	-----	------

Notes:

[XM 115 HI-LEVEL DCR ->ZKDT740200TH15001]

1	04292757	1	gasket
2	04292113	1	bracket
3	01181436	2	screw
			EN 1662 -F-M8X16-LG2,5-10.9-ZNAL-A



000 ©

XM 115 HI-LEVEL DCR ->ZKDT740200TH15001

Section: B0 - ENGINE

Ref: B0.01.29

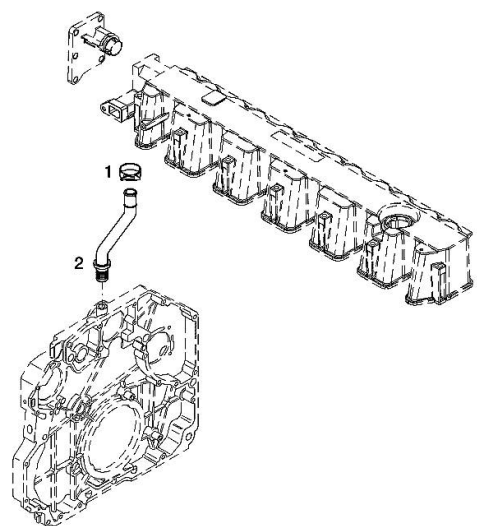
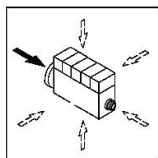
OIL RETURN

Fig.	P/n	QTY	Name
------	-----	-----	------

Notes:

[XM 115 HI-LEVEL DCR ->ZKDT740200TH15001]

1	01148669	1	ring DIN 3021 -A-14X12
2	04289223	1	pipe fitting



001 ©

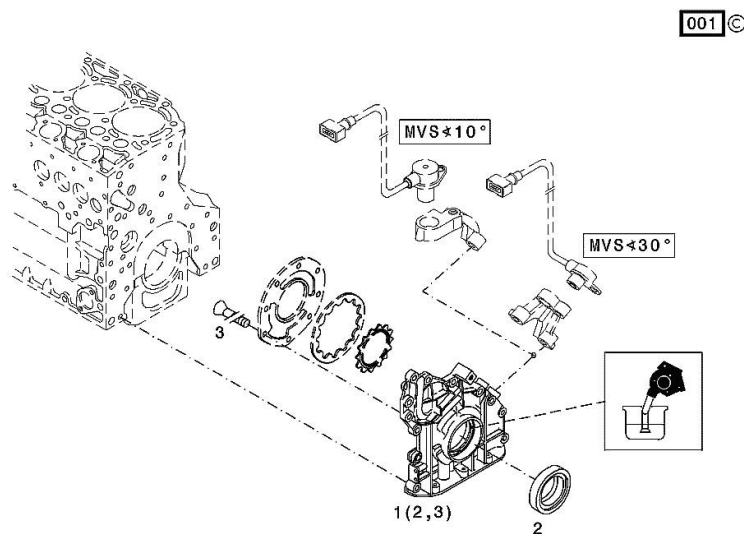
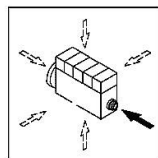
FLANGE

Fig.	P/n	QTY	Name
------	-----	-----	------

Notes:

[XM 115 HI-LEVEL DCR ->ZKDT740200TH15001]

1	04258382	1	oil pump kpl. WITH POS.... (2,3)
2	04253372	1	oil seal
3	01133718	1	screw DIN 7991 -M6X16-8.8-A4C



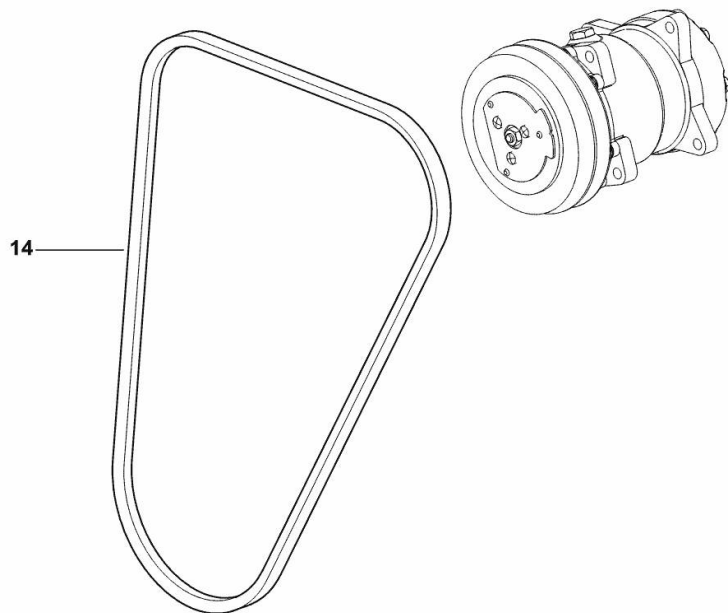
V-BELT

Fig.	P/n	QTY	Name
------	-----	-----	------

Notes:

[XM 115 HI-LEVEL DCR ->ZKDT740200TH15001]

14	04452440	1	belt AV 15x1475 mm
----	----------	---	--------------------



9_L3886_22_0-F-001

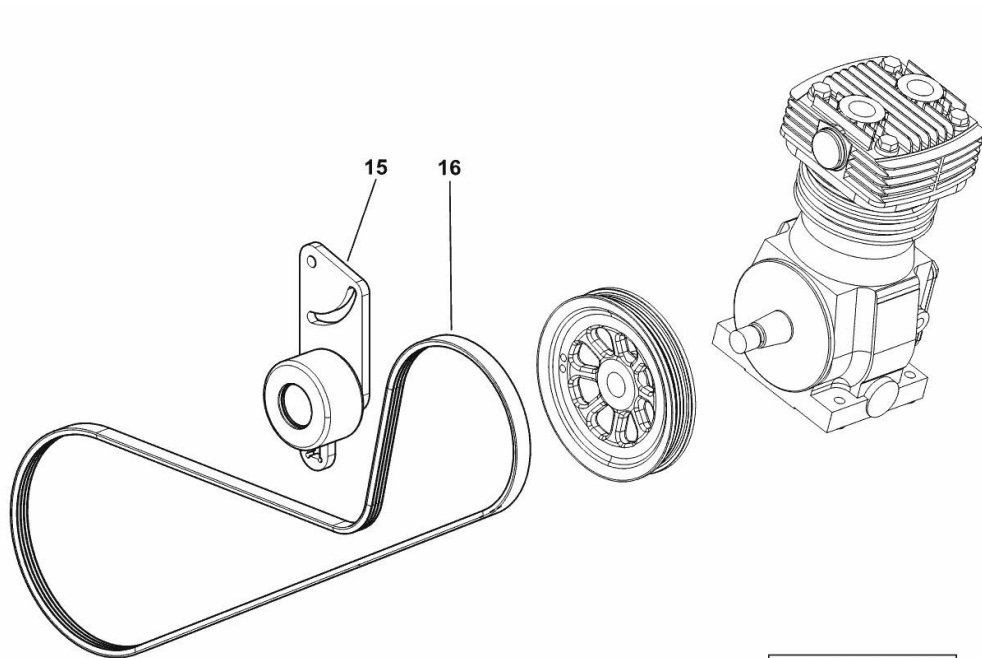
COMPRESSOR BELT AND BELT TENSIONER

Fig.	P/n	QTY	Name
------	-----	-----	------

Notes:

- FOR PNEUMATIC CAB SUSPENSION [XM 115 HI-LEVEL DCR ->ZKDT740200TH15001]

15	04454643.4	1	tensioner
16	04454180	1	belt PV-K 14.2x1410 mm



9_B1889_20_0-B-001

Thank you so much for reading.
Please click the “Buy Now!”
button below to download the
complete manual.



After you pay.

You can download the most
perfect and complete manual in
the world immediately.

Our support email:

ebooklibonline@outlook.com