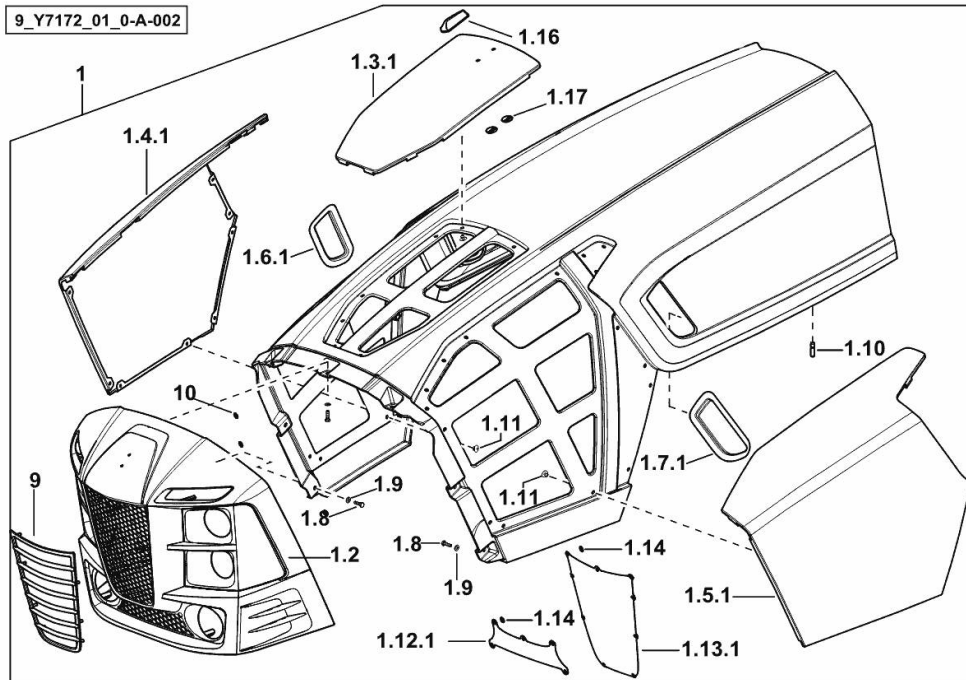


HOOD

Fig.	P/n	QTY	Name
------	-----	-----	------

Notes:

[XM 120 T4i -> ZKDBA102W0TH20001]



1	0.020.3384.3/20	1	hood
1.2	0.019.9419.8	1	front grille for hood
1.3.1	0.019.2911.0/10	1	grille
1.4.1	0.019.2912.0	1	grille dx/rh/re
1.5.1	0.019.2913.0	1	grille sx/lh/li
1.6.1	0.019.2914.0	1	grille dx/rh/re
1.7.1	0.019.2915.0	1	grille sx/lh/li
1.8	2.0114.007.2	7	screw m 6 p.1 x 20
1.9	2.1310.002.2	7	flat washer 6.4x12.5
1.10	2.0422.203.2	6	stud bolt m 8 x 20
1.11	2.1899.074.0	42	rivet 4.7
1.12.1	0.019.9694.0	1	grille
1.13.1	0.019.9695.0	1	grille
1.14	2.6999.080.1	14	clip
1.16	0.018.8461.0/10	1	profile
1.17	2.6999.074.0	2	clip 6 x 24
9	0.020.3288.0	1	front grille
10	2.6999.080.1	8	clip

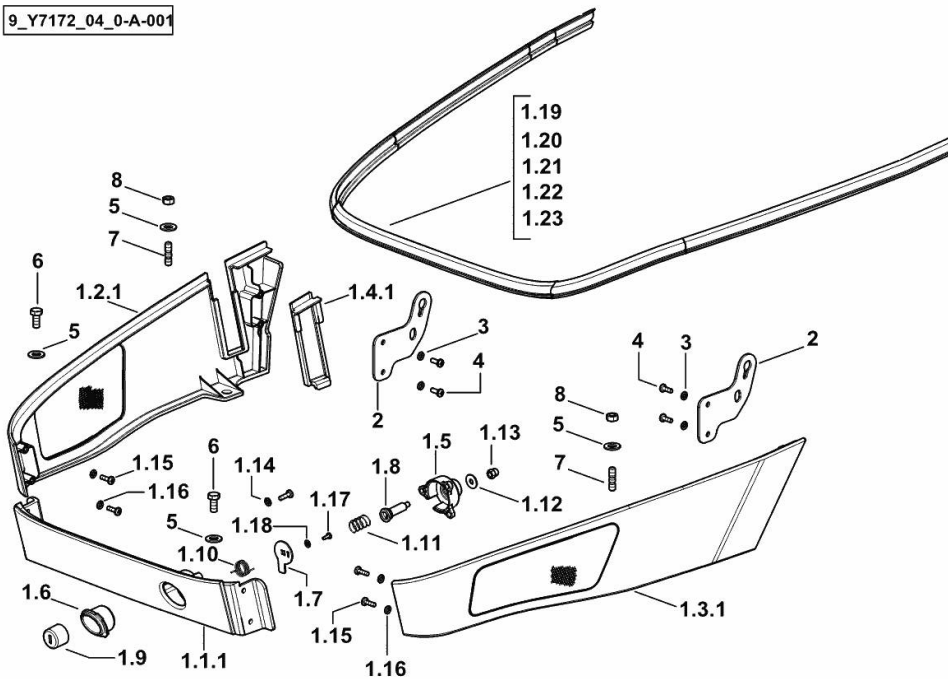
BONNET - FRONT PORTION

Fig.	P/n	QTY	Name
------	-----	-----	------

Notes:

[XM 120 T4i -> ZKDBA102W0TH20001]

9_Y7172_04_0-A-001



1.1.1	0.019.2879.3	1	fascia
1.2.1	0.019.2880.3	1	fascia dx/rh/re
1.3.1	0.019.2881.3	1	fascia sx/lh/li
1.4.1	0.019.2882.0	1	closure
1.5	0.019.0681.0/10	1	cover
1.6	0.019.0682.0	1	push-button
1.7	0.019.2612.0	1	cap-washer
1.8	0.019.2613.0	1	pin
1.9	0.018.7008.0/10	1	push-button
1.10	2.4099.180.2/10	1	spring
1.11	2.4019.808.2	1	spring
1.12	2.1312.003.2	1	washer 6
1.13	2.1030.001.2	1	nut m 6
1.14	2.1470.001.2	3	lock washer 5
1.15	2.0332.306.2	7	screw m 5x0.8x16
1.16	2.1310.001.2	4	flat washer 5.3 x 10
1.17	2.0350.203.3	1	screw 3.5x9.5
1.18	2.1310.028.2	1	flat washer
1.19	0.010.7094.0	0.6	gasket
1.20	0.010.7094.0	0.45	gasket
1.21	0.010.7094.0	0.45	gasket
1.22	0.010.7094.0	0.05	gasket
1.23	0.010.7094.0	0.07	gasket
2	0.019.0993.0/10	2	small plate
3	2.1310.001.2	4	flat washer 5.3 x 10
4	2.0332.305.2	4	screw m 5 p.0.8 x 14
5	2.1312.004.2	4	washer 8x24x2
6	2.0112.206.2	2	screw m 8 p.1.25 x 18
7	2.0422.203.2	2	stud bolt m 8 x 20
8	2.1011.105.2	2	nut m 8 p.1.25

HOOD FASTENER

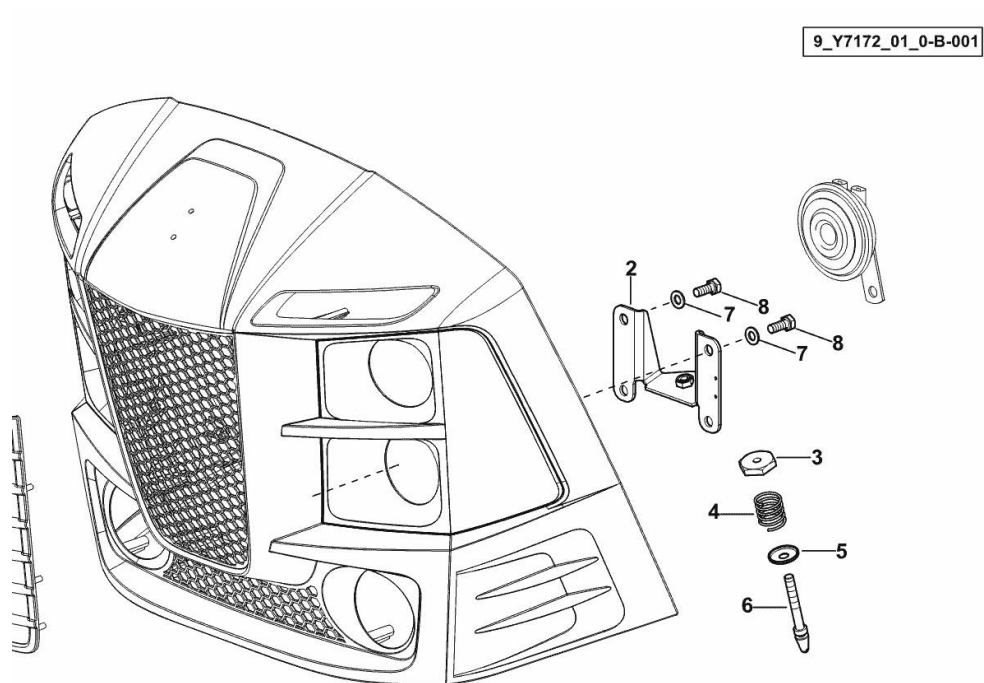
Fig.	P/n	QTY	Name
------	-----	-----	------

Notes:

[XM 120 T4i -> ZKDBA102W0TH20001]

2	0.020.0002.3	1	bracket
3	0.010.0849.0	1	ring nut
4	2.4019.804.2	1	spring
5	0.009.7867.0	1	bottom
6	0.019.2448.0	1	pin
7	2.1310.004.2	4	flat washer 8.4x17
8	2.0112.207.2	4	screw m 8 p 1.25 x 20

9_Y7172_01_0-B-001



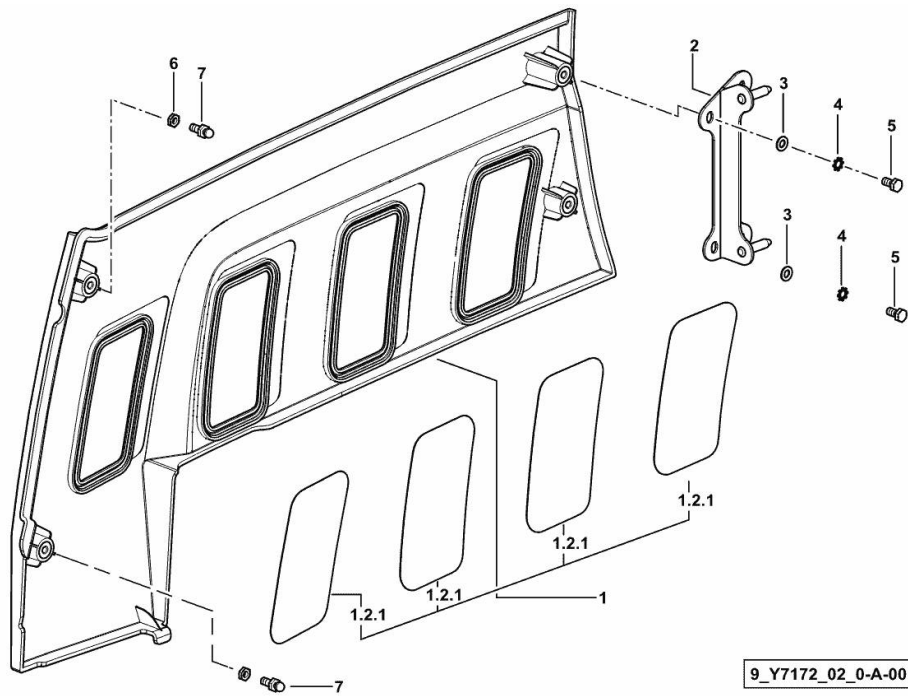
HOOD - RIGHT SIDE PANEL

Fig.	P/n	QTY	Name
------	-----	-----	------

Notes:

[XM 120 T4i -> ZKDBA102W0TH20001]

1	0.020.3385.3	1	right hand side panel kpl.
1.2.1	0.019.9998.0	1	grille dx/rh/re
2	0.019.2227.2	1	bracket dx/rh/re
3	2.1310.004.2	2	flat washer 8.4x17
4	2.1470.004.2	2	lock washer 8
5	2.0112.205.2	2	screw m 8 p.1.25 x 16
6	2.1011.205.2	2	nut m 8 p.1.25
7	0.019.2724.0	2	pin



HOOD - LEFT SIDE PANEL

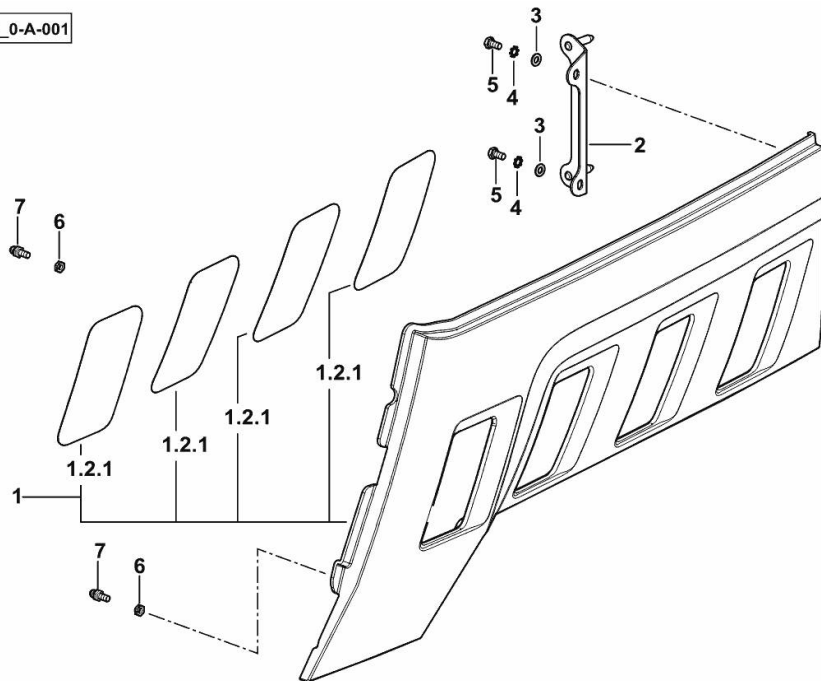
Fig.	P/n	QTY	Name
------	-----	-----	------

Notes:

[XM 120 T4i -> ZKDBA102W0TH20001]

1	0.020.3386.3	1	left hand side panel kpl.
1.2.1	0.019.9994.0	1	grille sx/lh/li
2	0.019.2221.2	1	bracket sx/lh/li
3	2.1310.004.2	2	flat washer 8.4x17
4	2.1470.004.2	2	lock washer 8
5	2.0112.205.2	2	screw m 8 p.1.25 x 16
6	2.1011.205.2	2	nut m 8 p.1.25
7	0.019.2724.0	2	pin

9_Y7172_03_0-A-001



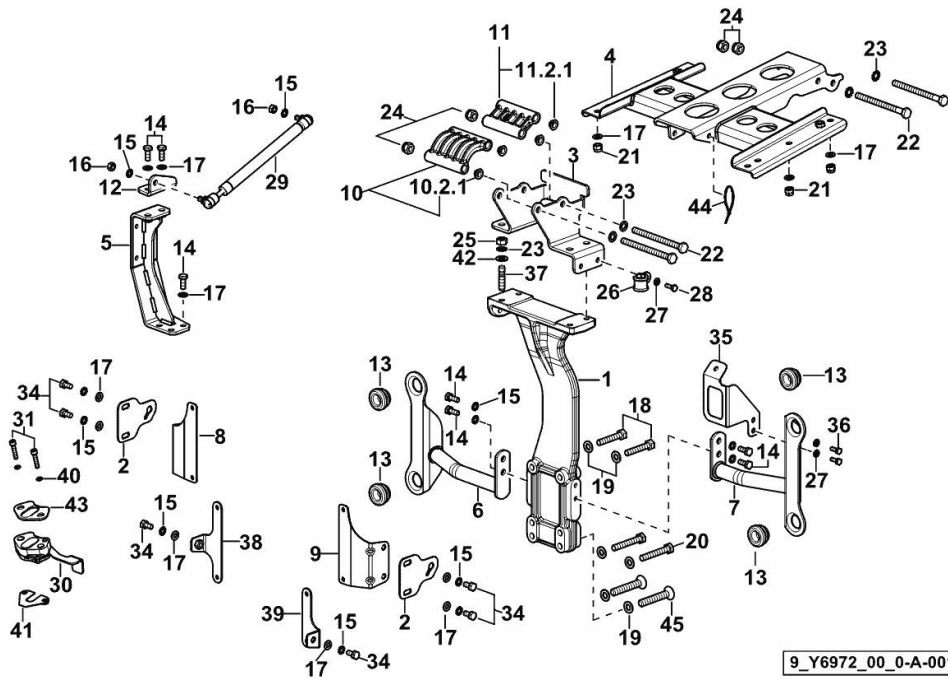
HOOD - SUPPORTS

Fig.	P/n	QTY	Name
------	-----	-----	------

Notes:

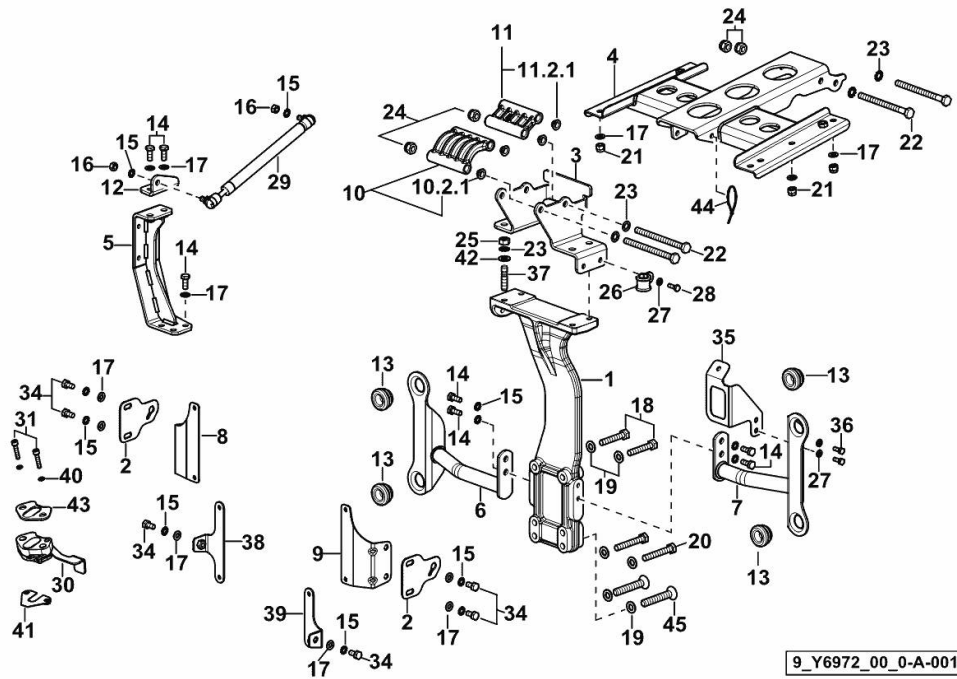
[XM 120 T4i -> ZKDBA102W0TH20001]

1	0.018.9297.0/20	1	support
2	0.019.4076.0/10	2	small plate
3	0.019.1502.3/10	1	support
4	0.019.1503.3	1	chassis frame
5	0.019.3252.3/10	1	bracket
6	0.019.2979.2/10	1	support
7	0.019.2972.2/10	1	support
8	0.019.0982.3	1	bracket
9	0.019.0981.3	1	bracket
10	0.014.9225.3/20	1	hinge
10.2.1	2.2841.034.0	4	bushing 10x12x7
11	0.014.9219.3/20	1	hinge
11.2.1	2.2841.034.0	4	bushing 10x12x7
12	0.019.3258.0	1	bracket
13	0.009.6531.0/30	4	block
14	2.0112.207.2	9	screw m 8 p 1.25 x 20
15	2.1470.004.2	12	lock washer 8
16	2.1011.105.2	2	nut m 8 p.1.25
17	2.1310.004.2	17	flat washer 8.4x17
18	2.0112.320.2	2	screw m 10 p.1.5 x 55
19	2.1475.003.2	4	washer 10
20	2.0112.322.2	2	screw m 10 p.1.5x65
21	2.1120.005.2	6	nut m 8 p.1.25
22	2.0112.333.2	4	screw m 10 p.1.5x120
23	2.1470.006.2	8	lock washer 10
24	2.1120.006.2	4	nut m 10 p.1.5
25	2.1011.106.2	4	nut m 10 p.1.5
26	2.6839.058.0	1	clamp Ø 17/20
27	2.1310.002.2	3	flat washer 6.4x12.5
28	2.0112.006.2	1	screw m 6 p.1 x 18
29	0.019.9285.0	1	spring
30	0.019.0693.4/20	1	small block
31	2.0112.015.2	2	screw m 6 p.1x40
34	2.0112.205.2	6	screw m 8 p.1.25 x 16
35	0.019.5084.3	1	bracket
36	2.0112.005.2	2	screw m 6 p.1 x 16
37	2.0422.307.2	4	stud bolt m 10 x 30
38	0.019.9421.3	1	bracket
39	0.019.9425.3	1	bracket
40	2.1475.201.2	2	washer 6.4x12
41	0.019.9456.3	1	small plate



HOOD - SUPPORTS

Fig.	P/n	QTY	Name
42	2.1310.006.2	4	flat washer 10.5x21
43	0.020.0099.0	1	small plate
44	2.6852.203.0	1	clamp 292 x 4.8
45	2.0342.414.6	2	screw m 10 p.1.5 x 60



HOOD - SUPPORTS

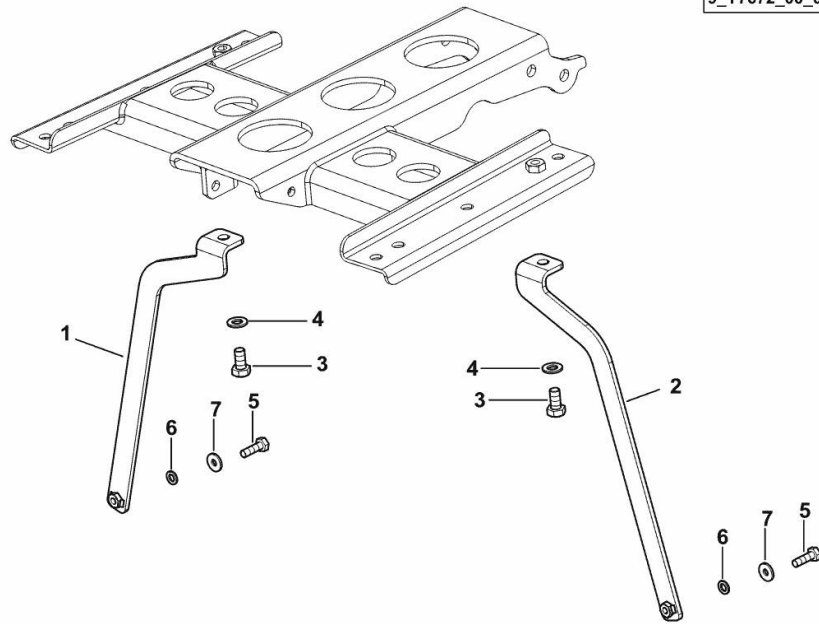
Fig.	P/n	QTY	Name
------	-----	-----	------

Notes:

[XM 120 T4i -> ZKDBA102W0TH20001]

1	0.019.6626.3	1	brace dx/rh/re
2	0.019.6627.3	1	brace sx/lh/li
3	2.0112.205.2	2	screw m 8 p.1.25 x 16
4	2.1310.004.2	2	flat washer 8.4x17
5	2.0112.007.2	2	screw m 6 p.1 x 20
6	2.1470.002.2	2	lock washer 6
7	2.1312.003.2	2	washer 6

9_Y7672_00_0-A-001

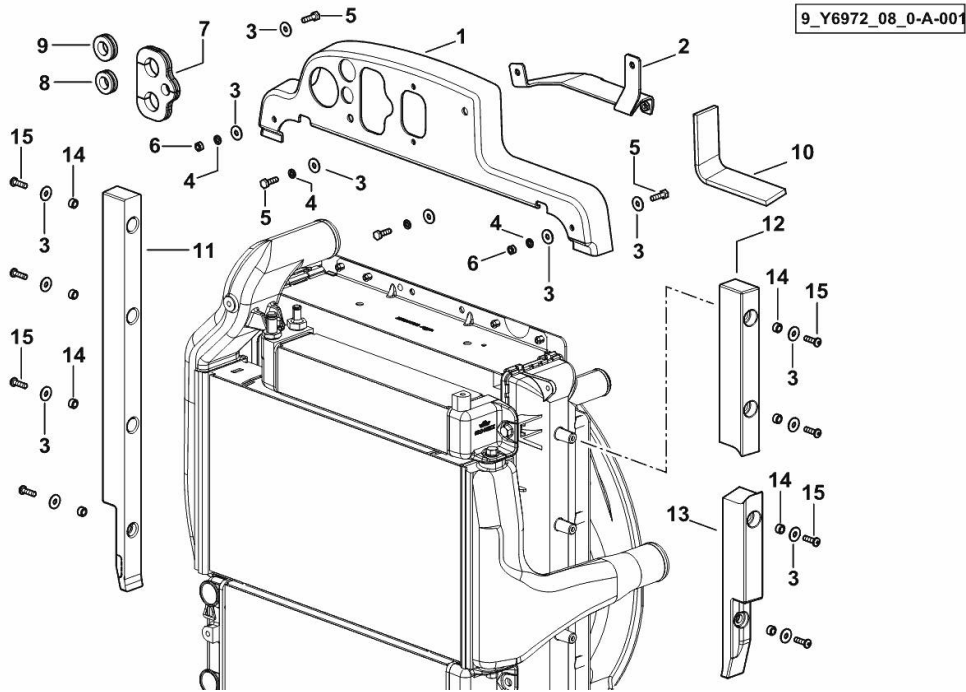


HOOD - SUPPORTS

Fig.	P/n	QTY	Name
------	-----	-----	------

Notes:

[XM 120 T4i -> ZKDBA102W0TH20001]



1	0.019.1780.0/10	1	division
2	0.019.1822.3	1	bracket
3	2.1312.003.2	14	washer 6
4	2.1470.002.2	4	lock washer 6
5	2.0112.007.2	4	screw m 6 p.1 x 20
6	2.1011.103.2	2	nut m 6 p.1
7	0.019.1520.0/10	1	gasket
8	2.6560.011.0	1	grommet 16x2.5
9	2.6560.017.0	1	wire guide 22x2.5
10	0.019.2028.0	1	gasket
11	0.019.2749.0	1	gasket dx/rh/re
12	0.019.2751.0	1	gasket sx/lh/li
13	0.019.2752.0	1	gasket sx/lh/li
14	2.1549.009.2	8	spacer 7x11x5.5
15	2.0361.510.2	8	screw

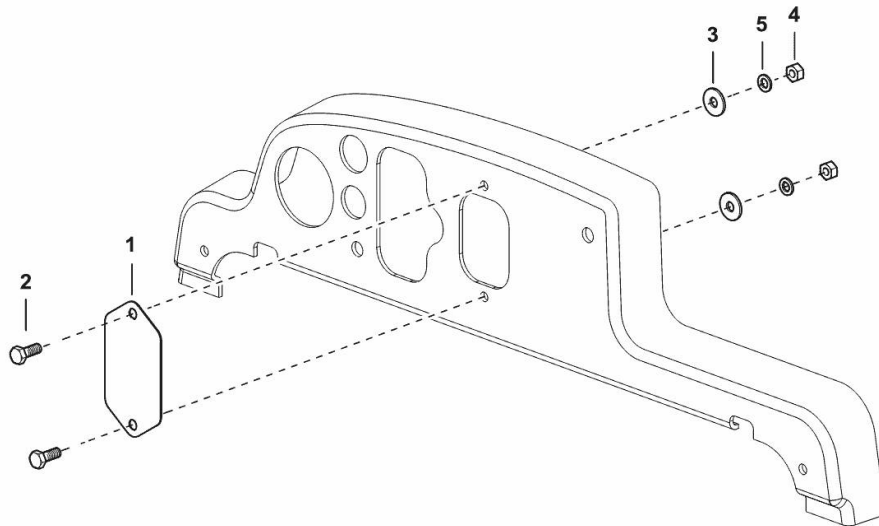
COVER

Fig.	P/n	QTY	Name
------	-----	-----	------

Notes:

- FOR TRACTORS WITHOUT AIR CONDITIONING [XM 120 T4i -> ZKDBA102W0TH20001]

1	0.019.1761.0	1	small plate
2	2.0112.005.2	2	screw m 6 p.1 x 16
3	2.1312.003.2	2	washer 6
4	2.1011.103.2	2	nut m 6 p.1
5	2.1470.002.2	2	lock washer 6



9_Y6986_18_0-A-001

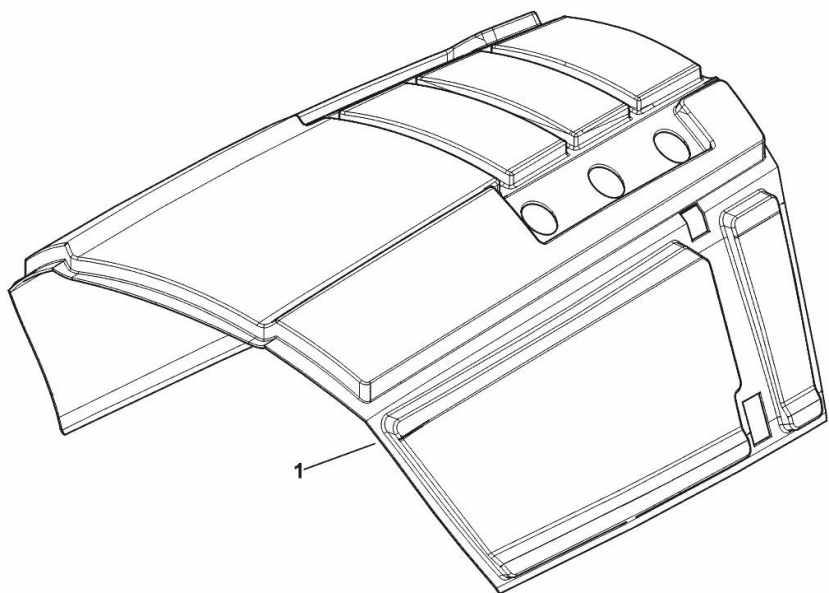
HOOD INSULATION PANEL

Fig.	P/n	QTY	Name
------	-----	-----	------

Notes:

[XM 120 T4i -> ZKDBA102W0TH20001]

1	0.020.0885.0	1	panel
---	--------------	---	-------



9_Y7072_07_0-A-001

ENGINE HOOD GASKETS

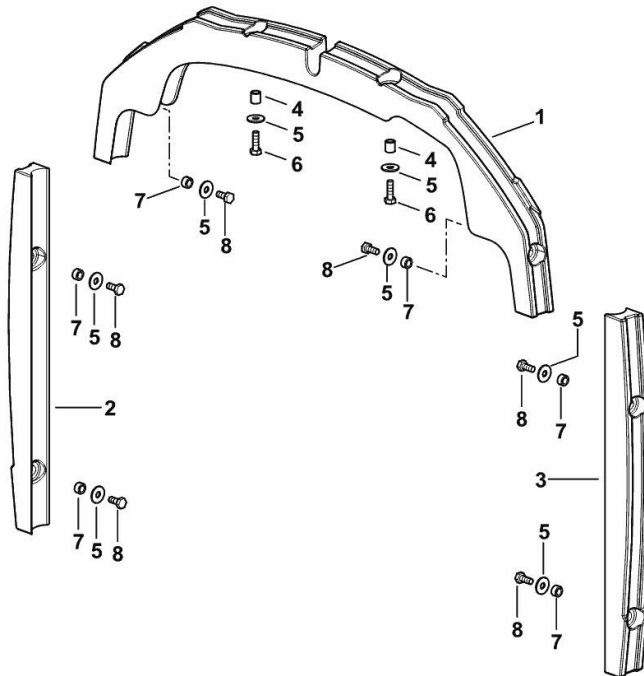
Fig.	P/n	QTY	Name
------	-----	-----	------

Notes:

[XM 120 T4i -> ZKDBA102W0TH20001]

1	0.021.5370.0	1	gasket
2	0.021.5368.0	1	gasket dx/rh/re
3	0.021.5369.0	1	gasket sx/lh/li
4	2.1549.541.2	2	spacer 7x10x11
5	2.1312.003.2	8	washer 6
6	2.0112.007.2	2	screw m 6 p.1 x 20
7	2.1549.009.2	6	spacer 7x11x5.5
8	2.0112.004.2	6	screw m 6 p.1 x 14

9_Y7272_06_0-A-001



HOOD TO CAB CONNECTION FRAME - FOR TYPES WITH FIXED CAB

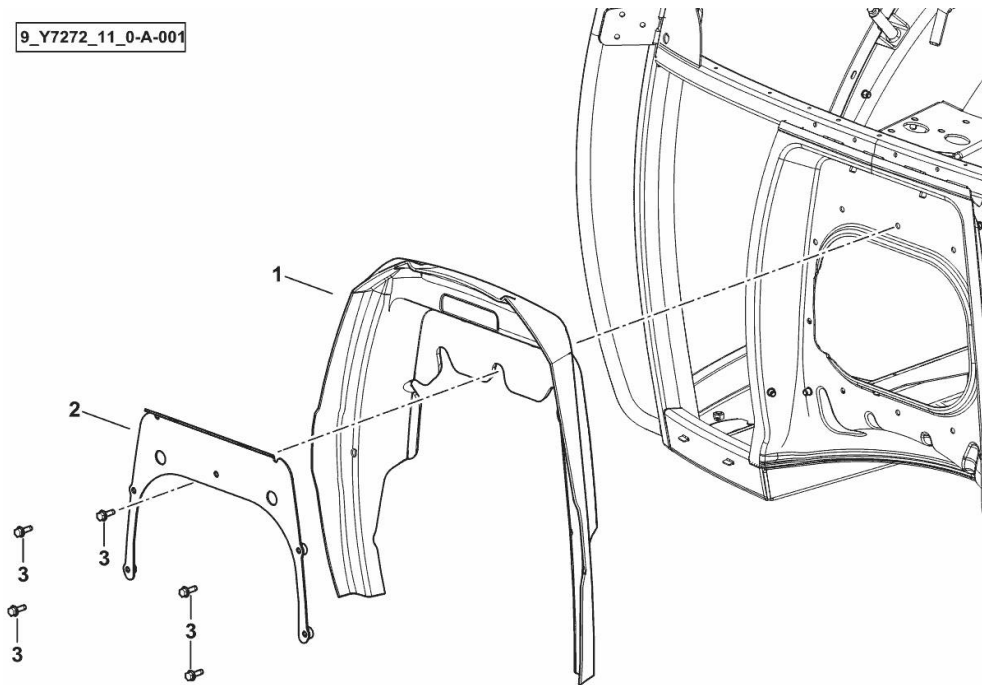
Fig.	P/n	QTY	Name
------	-----	-----	------

Notes:

[XM 120 T4i -> ZKDBA102W0TH20001]

1	0.019.5527.0	1	frame
2	0.019.4865.2	1	plate
3	2.0365.308.3	5	screw m 8 x 25

9_Y7272_11_0-A-001



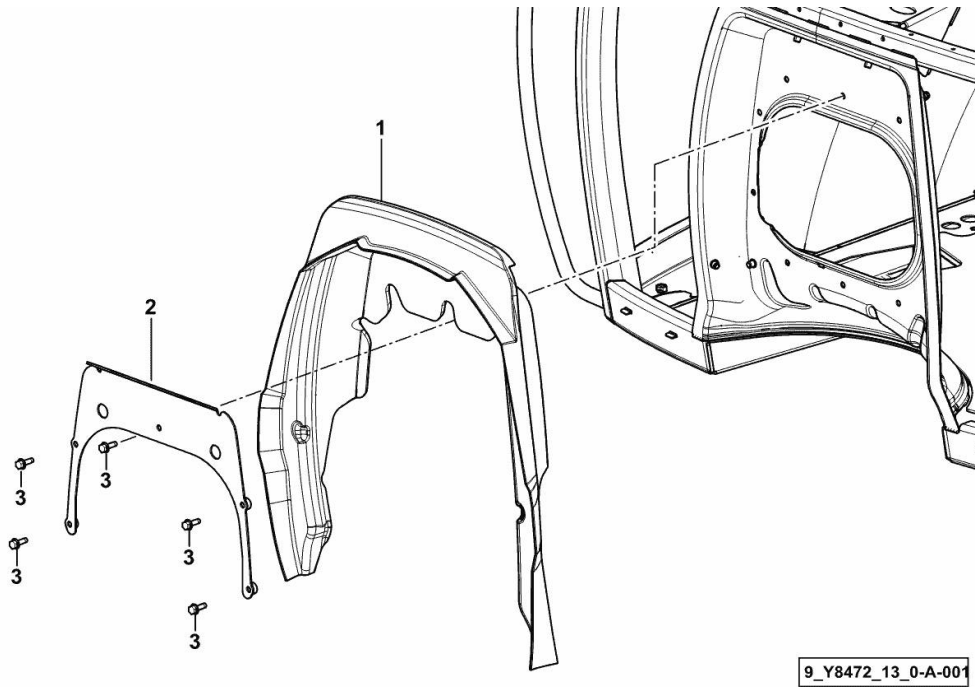
HOOD TO CAB CONNECTION FRAME - FOR TYPES WITH SUSPENDED CAB

Fig.	P/n	QTY	Name
------	-----	-----	------

Notes:

[XM 120 T4i -> ZKDBA102W0TH20001]

1	0.019.5795.0/10	1	frame
2	0.019.4865.2	1	plate
3	2.0365.308.3	5	screw m 8 x 25

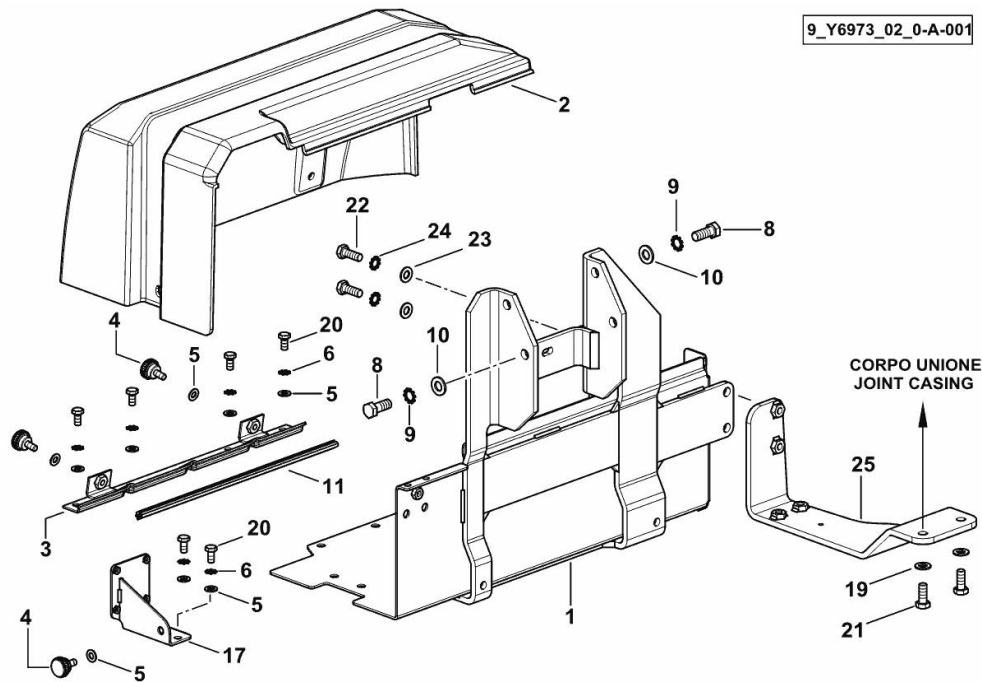


BATTERY SUPPORT

Fig.	P/n	QTY	Name
------	-----	-----	------

Notes:

[XM 120 T4i -> ZKDBA102W0TH20001]



1	0.019.0544.3/20	1	battery support
2	0.019.8926.0	1	cover
3	0.008.9558.3	1	crosspiece
4	0.008.9024.2/10	3	knob
5	2.1310.004.2	17	flat washer 8.4x17
6	2.1470.004.2	14	lock washer 8
8	2.0112.411.2	4	screw m 12 p.1.75 x 30
9	2.1470.007.2	4	lock washer 12
10	2.1310.007.2	4	flat washer 13 x 24
11	0.009.1354.0/10	1	gasket mm 360
17	0.019.8506.3	1	support
19	2.1475.003.2	3	washer 10
20	2.0112.205.2	10	screw m 8 p.1.25 x 16
21	2.0112.309.2	2	screw m 10 p.1.5 x 25
22	2.0112.310.2	2	screw m 10 p.1.5x28
23	2.1310.006.2	2	flat washer 10.5x21
24	2.1470.006.2	2	lock washer 10
25	0.019.8639.3/20	1	bracket

Thank you so much for reading.
Please click the “Buy Now!”
button below to download the
complete manual.



After you pay.

You can download the most
perfect and complete manual in
the world immediately.

Our support email:

ebooklibonline@outlook.com