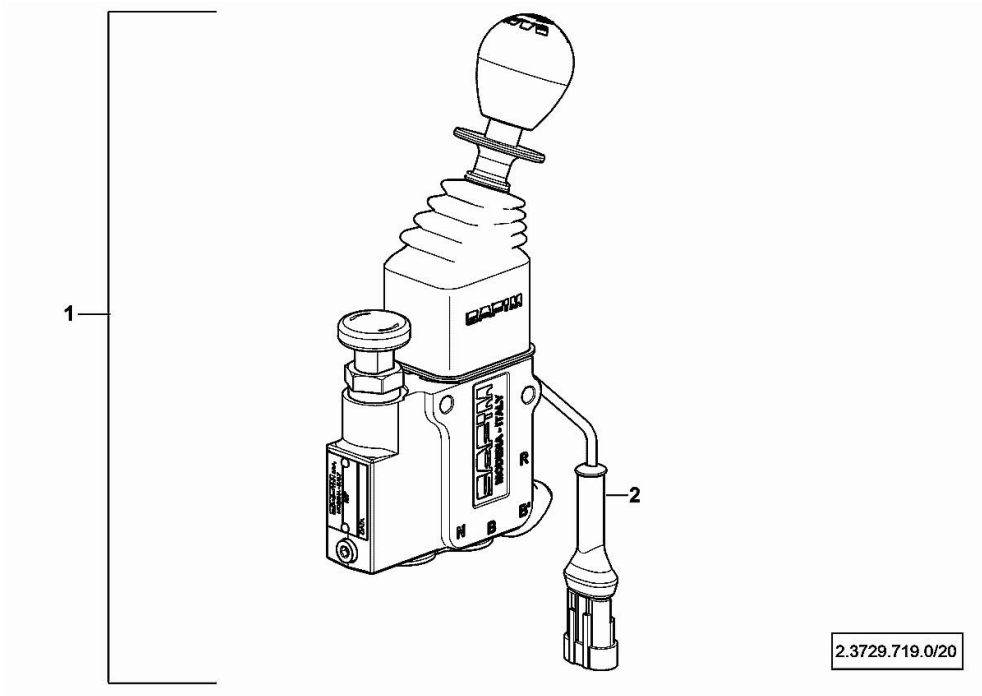


RELAY VALVE

Fig.	P/n	QTY	Name
1	2.3729.719.0/20	1	valve PARK BRAKE
2	0.900.1571.7	1	sensor



CONTROL PEDAL FOR ELECTRONIC THROTTLE

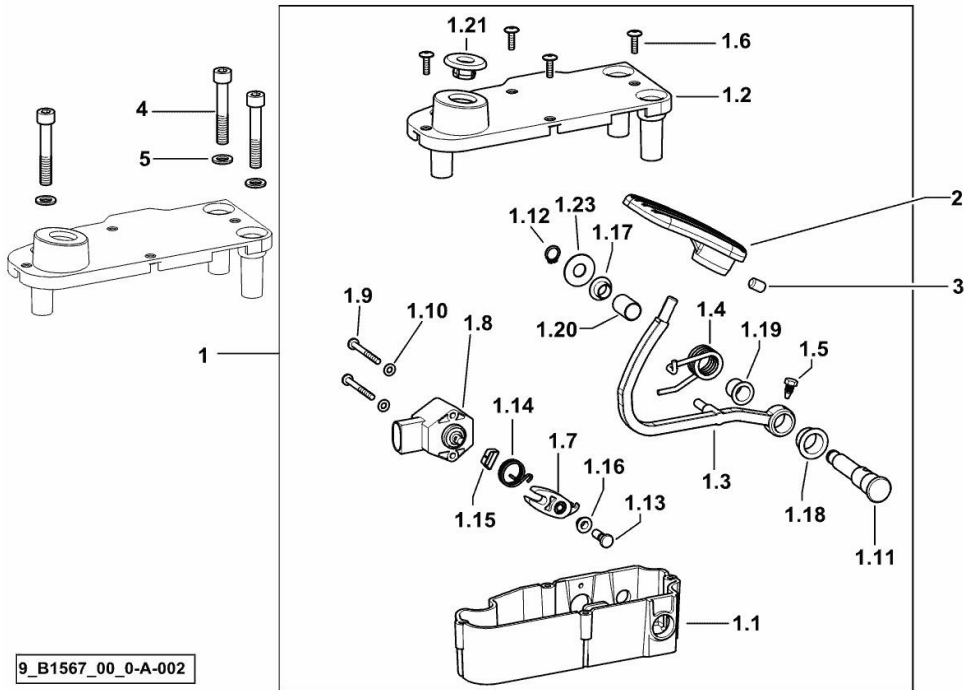


Fig.	P/n	QTY	Name
------	-----	-----	------

Notes:

[XM 120 T4i -> ZKDY7502W0TH10001]

1	0.013.0762.4/60	1	accelerator
1.1	0.010.8694.2/30	1	box
1.2	0.019.2583.0	1	cover
1.3	0.019.0829.0	1	lever
1.4	2.4099.115.2/30	1	spring
1.5	2.0399.272.2	1	screw m 5
1.6	2.0363.105.2	4	screw m 4
1.7	0.011.6578.0	1	lever
1.8	2.7099.740.0/10	1	position sensor
1.9	2.0332.210.6	2	screw m4x35
1.10	2.1310.028.2	2	flat washer
1.11	0.011.6028.0/20	1	pin
1.12	2.1410.001.1	1	circlip 10
1.13	2.1699.492.2/20	1	pin
1.14	2.4099.134.2	1	spring
1.15	0.011.3791.0	1	clip
1.16	2.2841.010.0	1	bushing 6x8x6
1.17	2.2841.034.0	1	bushing 10x12x7
1.18	2.2841.071.0	1	bushing 16x18x12
1.19	2.2841.043.0	1	bushing 12 x 14 x 15
1.20	2.2840.042.0	1	bushing 12x14x20
1.21	0.019.3267.0	1	rubber plug
1.23	2.1599.044.2	1	shoulder ring
2	0.010.8696.2/20	1	accel. pedal
3	2.0512.204.7	1	grub screw m 8 p.1.25 x 12
4	2.0312.216.2	3	screw m 8 p.1.25x50
5	2.1474.009.2	3	spring washer 8

STEERING WHEEL

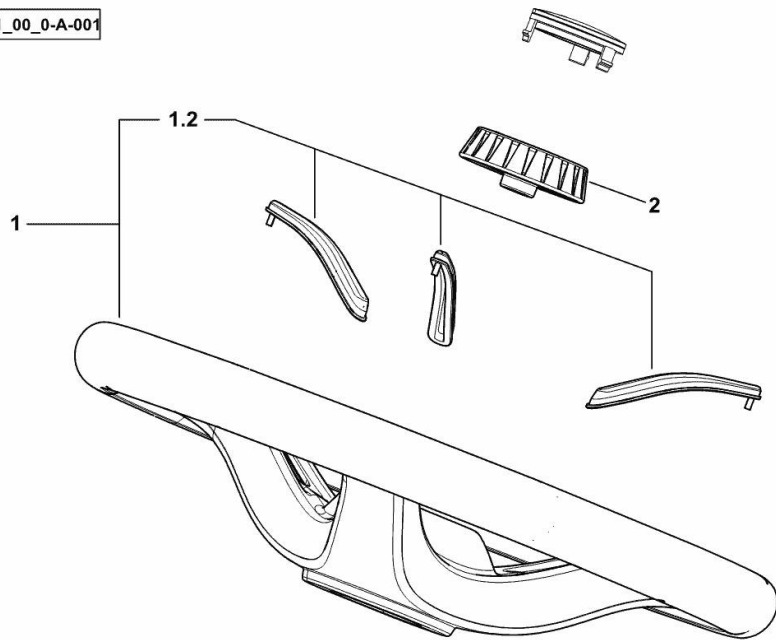
Fig.	P/n	QTY	Name
------	-----	-----	------

Notes:

[XM 120 T4i -> ZKDY7502W0TH10001]

1	0.019.8689.4	1	steering wheel
1.2	0.019.7617.0	3	lining
2	0.019.7618.2	1	ring nut

9_Y6961_00_0-A-001



STEERING COLUMN

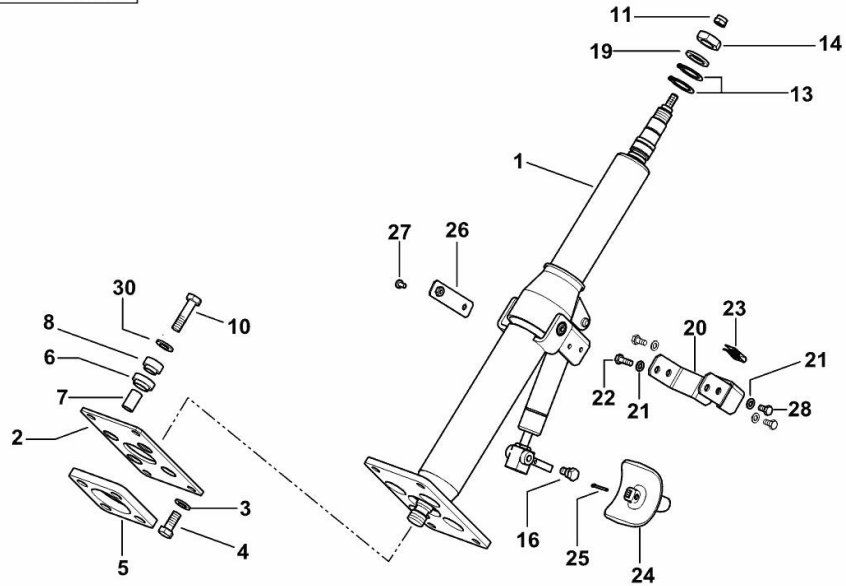
Fig.	P/n	QTY	Name
------	-----	-----	------

Notes:

[XM 120 T4i -> ZKDY7502W0TH10001]

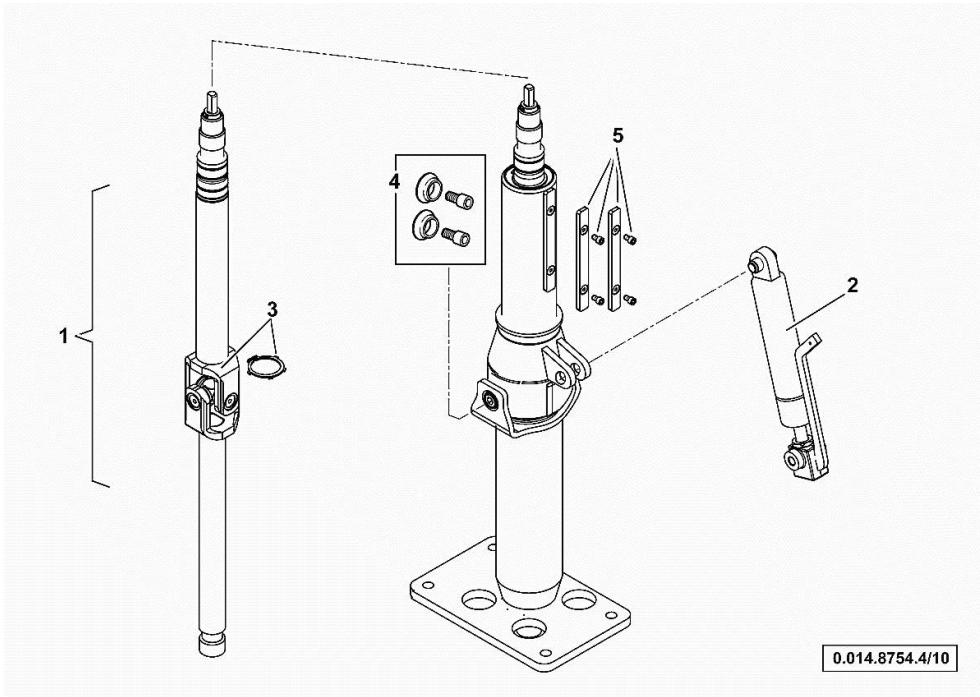
1	0.014.8754.4/10	1	steering column ☞ 0.014.8754.4/10
2	0.010.7445.0/10	1	plate
3	2.1310.006.2	4	flat washer 10.5x21
4	2.0114.307.2	4	screw m 10 x 20, d933
5	04355546	1	plate
6	04355695	4	spacer
7	04386557	4	spacer
8	0.018.1722.0	4	spacer
10	2.0114.315.2	4	screw m 10 p.1.5 x 40
11	2.1120.105.2	1	self-locking nut m 8 p.1.25
13	2.1410.010.7	2	circlip 25
14	2.1011.510.2	1	nut m 18 p.1.5
16	2.0119.243.2/10	2	screw m 8 p1.25x16
19	2.1470.010.2	1	lock washer 18
20	0.013.2548.0/20	1	bracket
21	2.1475.201.2	4	washer 6.4x12
22	2.0112.005.2	1	screw m 6 p.1 x 16
23	2.6999.035.0	1	clip
24	0.013.2547.0/10	1	lever
25	2.1690.408.2	1	split pin 4 x 20
26	0.014.3119.3	1	plate
27	2.0330.302.2	1	screw m 5x8
28	2.0112.003.2	3	screw m 6 p.1 x 12
30	2.1399.039.2/10	4	washer 10 x 25 x 2,5

9_Y6963_00_0-A-001



STEERING COLUMN

Fig.	P/n	QTY	Name
1	0.014.8754.4/10	1	steering column
2	0.900.0305.8	1	spring
3	0.900.0454.6	1	shaft
4	0.900.0063.7	1	pin
5	0.010.3701.0	1	stick



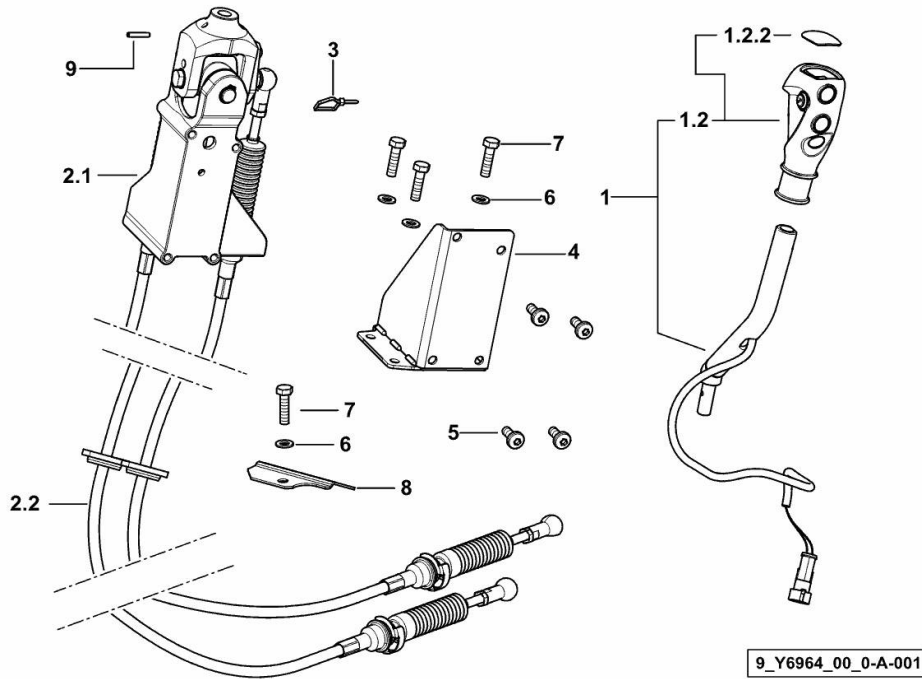
GEARSHIFT LEVER

Fig.	P/n	QTY	Name
------	-----	-----	------

Notes:

[XM 120 T4i -> ZKDY7502W0TH10001]

1	0.019.1701.4/10	1	gear lever
1.2	0.019.7635.3	1	knob
			- WITHOUT PUSHBUTTONS
1.2.2	0.019.8900.2	1	cap
2.1	0.018.4985.4	1	control
			☞ 0.018.4985.4
2.2	0.019.8673.4	2	rod
3	2.6852.001.0	1	clamp 99 x 2.5
4	0.019.8756.2/10	1	bracket
5	2.0330.507.2	4	screw m 8 p.1.25 x 20
6	2.1310.004.2	5	flat washer 8.4x17
7	2.0112.211.2	5	screw m 8 p.1.25 x 30
8	0.019.1144.0	1	bracket
9	2.1630.450.2	1	pin 4x22



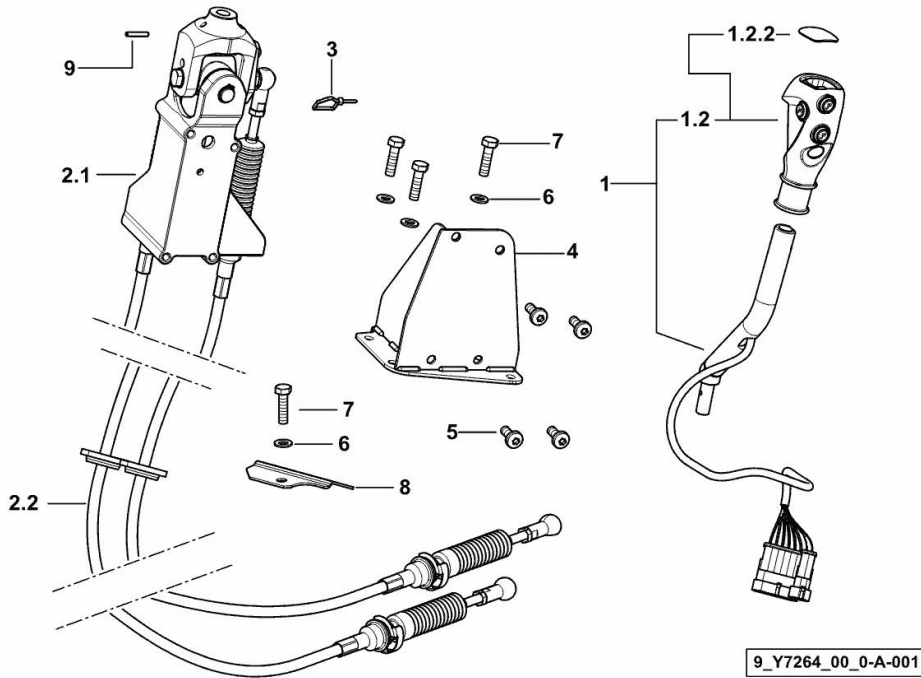
GEARSHIFT LEVER

Fig.	P/n	QTY	Name
------	-----	-----	------

Notes:

- FOR TYPES WITH H-M-L [XM 120 T4i -> ZKDY7502W0TH10001]

1	0.020.0625.4	1	gear lever
1.2	0.019.7635.3	1	knob
			- WITHOUT PUSHBUTTONS
1.2.2	0.019.8900.2	1	cap
2.1	0.018.4985.4	1	control
			☞ 0.018.4985.4
2.2	0.019.8673.4	2	rod
3	2.6852.001.0	1	clamp 99 x 2.5
4	0.019.8756.2/10	1	bracket
5	2.0330.507.2	4	screw m 8 p.1.25 x 20
6	2.1310.004.2	5	flat washer 8.4x17
7	2.0112.211.2	5	screw m 8 p.1.25 x 30
8	0.019.1144.0	1	bracket
9	2.1630.450.2	1	pin 4x22



RANGE CONTROL

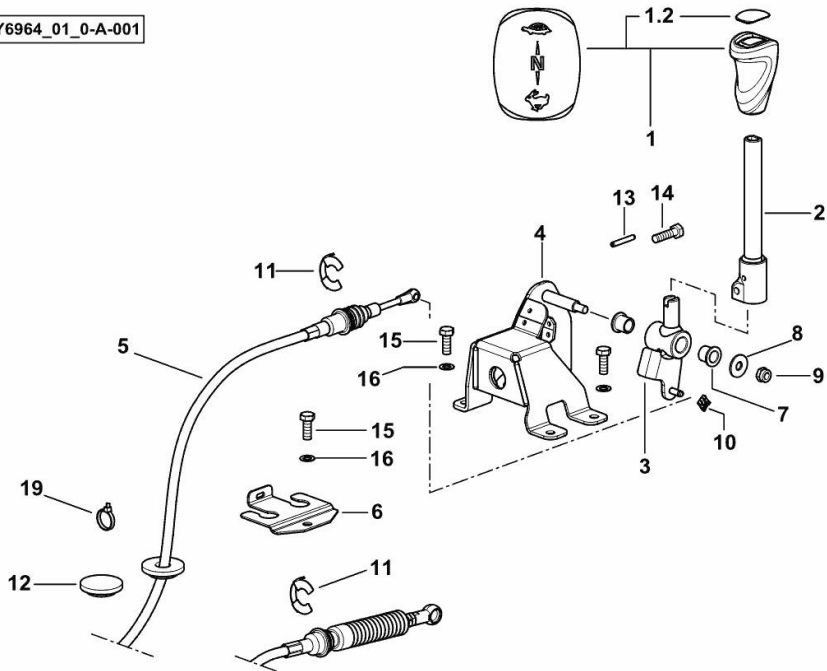
Fig.	P/n	QTY	Name
------	-----	-----	------

Notes:

- FOR MODELS WITH 2 RANGES [XM 120 T4i -> ZKDY7502W0TH10001]

1	0.019.2023.3/20	1	knob
1.2	0.019.2024.3/10	1	cap
2	0.019.0376.3	1	gear lever
3	0.019.0367.3	1	hub
4	0.019.0361.2	1	bracket
5	0.019.0372.3/10	1	rod
6	0.019.0397.0/10	1	bracket
7	2.1559.243.0	2	special bushing 12x16x15
8	2.1312.004.2	1	washer 8x24x2
9	2.1120.105.2	1	self-locking nut m 8 p.1.25
10	01175725	1	clip 6, d128
11	04418159	2	circlip
12	0.013.1681.0	1	plug
13	2.1631.415.2	1	pin 5x32
14	2.0112.211.2	1	screw m 8 p.1.25 x 30
15	2.0112.208.2	5	screw m 8 p.1.25 x 22
16	2.1470.004.2	5	lock washer 8
19	2.6852.101.0	1	clamp 142x3.6

9_Y6964_01_0-A-001



RANGE CONTROL

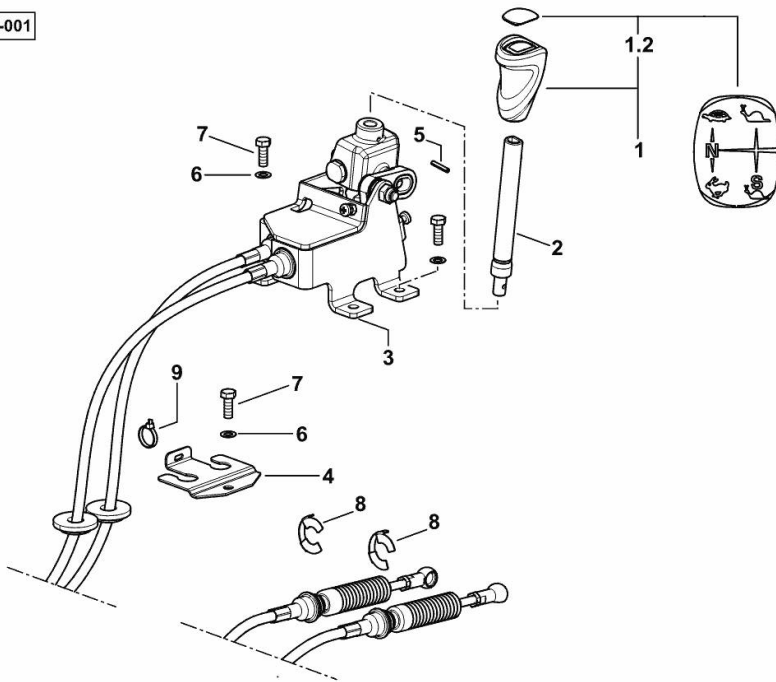
Fig.	P/n	QTY	Name
------	-----	-----	------

Notes:

- FOR MODELS WITH 4 RANGES [XM 120 T4i -> ZKDY7502W0TH10001]

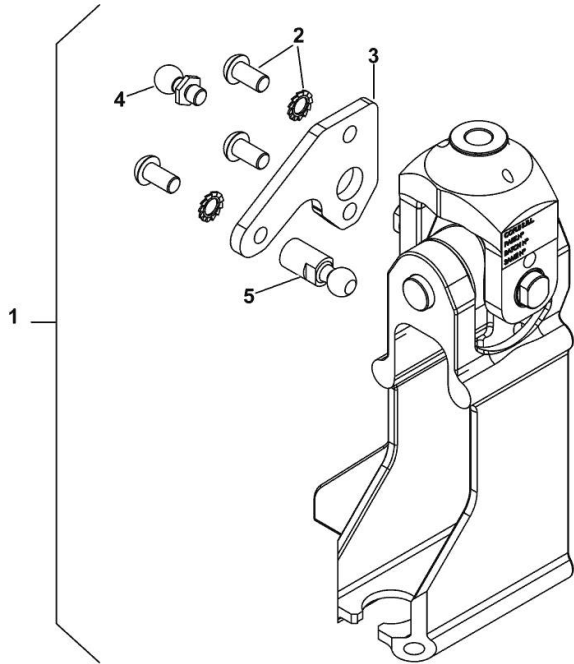
1	0.019.0170.3/20	1	knob
1.2	0.019.0171.3/10	1	cap
2	0.019.2530.2	1	lever
3	0.018.9163.4/20	1	control ☞ 0.018.9163.4/20
4	0.019.0397.0/10	1	bracket
5	2.1630.450.2	1	pin 4x22
6	2.1470.004.2	5	lock washer 8
7	2.0112.208.2	5	screw m 8 p.1.25 x 22
8	04418159	2	circlip
9	2.6852.101.0	1	clamp 142x3.6

9_Y6964_02_0-A-001



DRIVE FOR GEAR CHANGE BOX

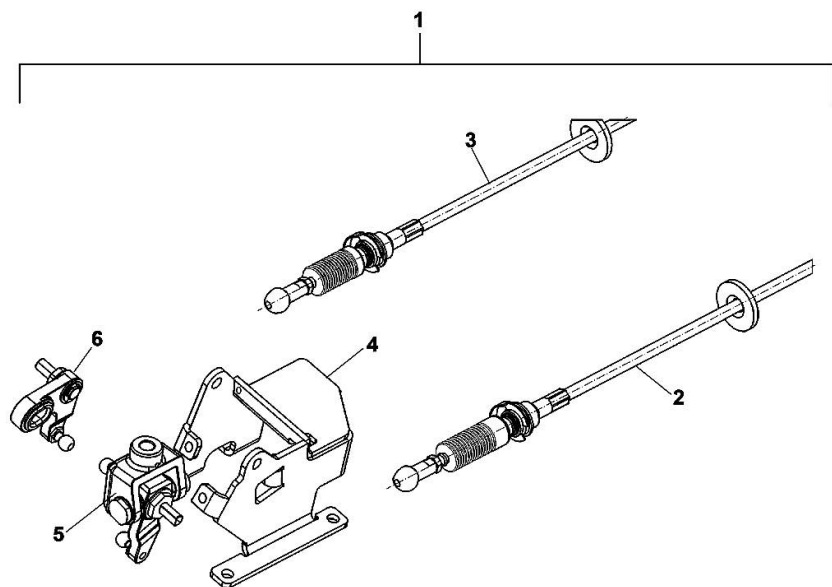
Fig.	P/n	QTY	Name
1	0.018.4985.4	1	control
2	0.000.0000.1		cannot be supplied
3	0.900.2126.2	1	bracket
4	0.900.2126.3	1	screw
5	0.900.2126.4	1	small pin



0.018.4985.4

DRIVE

Fig.	P/n	QTY	Name
1	0.018.9163.4/20	1	control
2	0.900.2044.1	1	cable
3	0.900.2044.2	1	cable
4	0.900.2044.3	1	support
5	0.900.2037.6	1	control
6	0.900.2037.7	1	transmission



0.018.9163.4/20

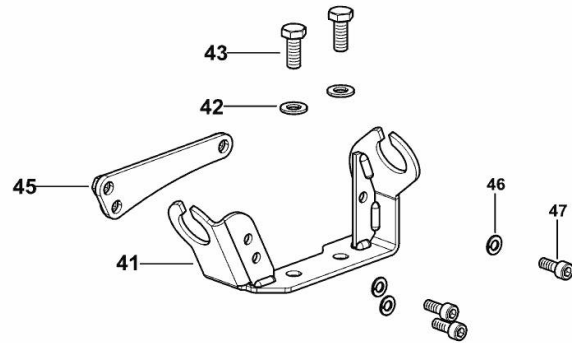
BOWDEN REACTION BRACKET FOR 2-SPEED P.T.O.

Fig.	P/n	QTY	Name
------	-----	-----	------

Notes:

[XM 120 T4i -> ZKDY7502W0TH10001]

41	0.019.0264.2/20	1	bracket
42	2.1310.004.2	2	flat washer 8.4x17
43	2.0112.207.2	2	screw m 8 p 1.25 x 20
45	0.020.0012.2	1	small plate
46	2.1474.007.2	3	washer 6, d128
47	2.0312.104.2	3	screw m 6 p.1 x 16



9_Y8136_01_0-B-001

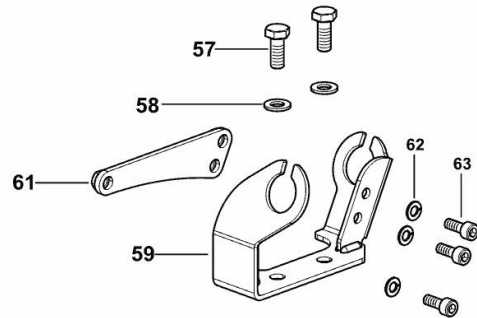
BOWDEN REACTION BRACKET FOR 4-SPEED P.T.O.

Fig.	P/n	QTY	Name
------	-----	-----	------

Notes:

[XM 120 T4i -> ZKDY7502W0TH10001]

57	2.0112.207.2	2	screw m 8 p 1.25 x 20
58	2.1310.004.2	2	flat washer 8.4x17
59	0.019.0264.2/20	1	bracket
61	0.020.0012.2	1	small plate
62	2.1474.007.2	3	washer 6, d128
63	2.0312.104.2	3	screw m 6 p.1 x 16



9_Y8136_00_0-B-001

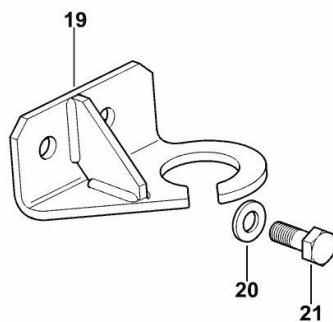
BOWDEN CABLE REACTION BRACKET FOR GROUND SPEED PTO

Fig.	P/n	QTY	Name
------	-----	-----	------

Notes:

[XM 120 T4i -> ZKDY7502W0TH10001]

19	0.020.0059.2	1	bracket
20	2.1310.002.2	2	flat washer 6.4x12.5
21	2.0112.005.2	2	screw m 6 p.1 x 16



9_Y8136_02_0-B-001

Thank you so much for reading.
Please click the “Buy Now!”
button below to download the
complete manual.



After you pay.

You can download the most
perfect and complete manual in
the world immediately.

Our support email:

ebooklibonline@outlook.com