

XM 120 T4i HI-LEVEL -> ZKDY8702W0TH10001

Section: E0 - REAR AXLE

Ref: E0.01.6 (1)

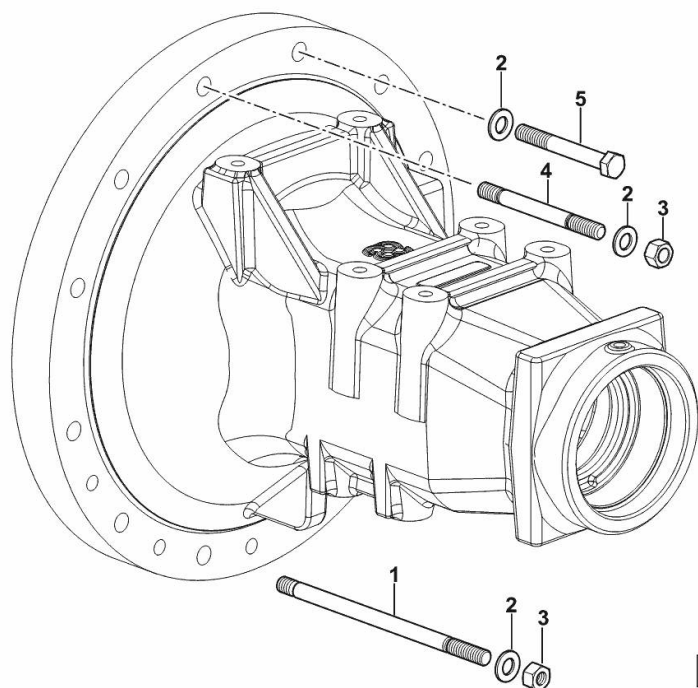
REAR AXLE - MOUNTINGS SX/LH/LI - DX/RH/RE

Fig.	P/n	QTY	Name
------	-----	-----	------

Notes:

[XM 120 T4i HI-LEVEL -> ZKDY8702W0TH10001]

1	2.0439.218.7/40	12	stud bolt m 14 p1.5 x 251
2	2.1475.005.7	24	washer 14
3	2.1012.408.7	18	nut m 14 p.1.5
4	2.0443.327.2	6	stud bolt m 14 x 120
5	2.0113.531.7	6	screw m 14 p.2x110



9_Y8544_31_0-A-001

XM 120 T4i HI-LEVEL -> ZKDY8702W0TH10001

Section: E0 - REAR AXLE

Ref: E0.01.8 (1)

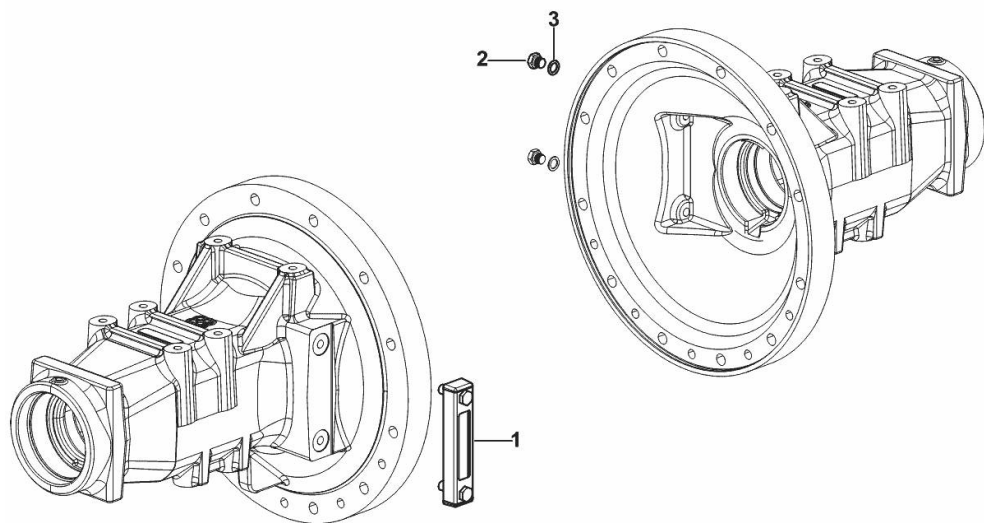
OIL LEVEL INDICATOR

Fig.	P/n	QTY	Name
------	-----	-----	------

Notes:

[XM 120 T4i HI-LEVEL -> ZKDY8702W0TH10001]

1	0.015.8160.0	1	level indicator
2	2.3110.302.2	2	plug m 12 p.1.75 x 10
3	2.1560.008.0	2	gasket 12.2 x 18



9_Y8544_32_0-A-001

XM 120 T4i HI-LEVEL -> ZKDY8702W0TH10001

Section: E0 - REAR AXLE

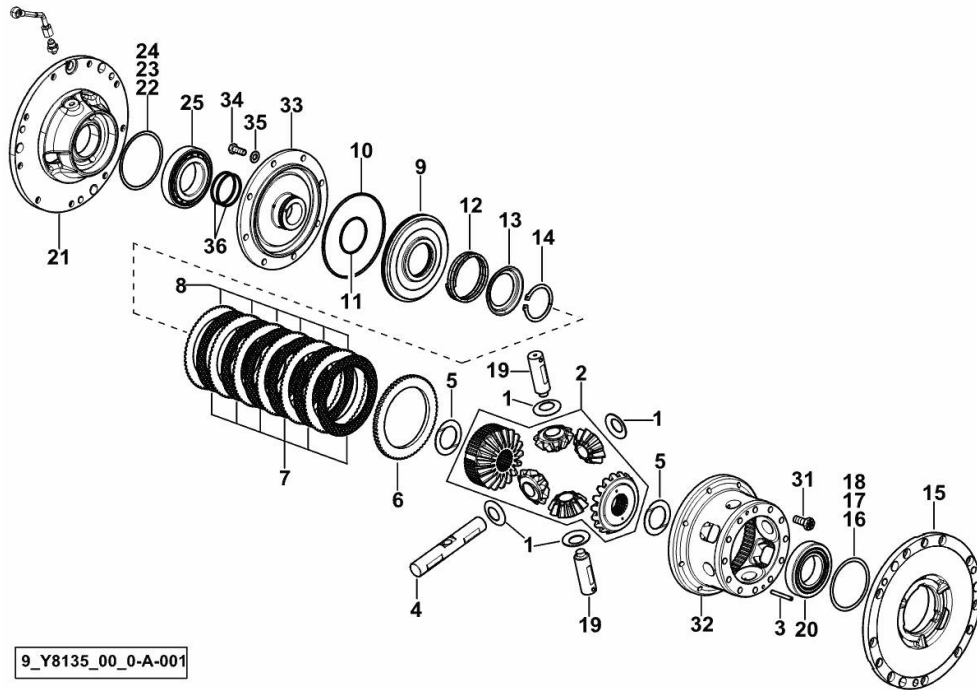
Ref: E0.02.1 (1)

4-PLANET PINION DIFFERENTIAL

Fig.	P/n	QTY	Name
------	-----	-----	------

Notes:

[XM 120 T4i HI-LEVEL -> ZKDY8702W0TH10001]



9_Y8135_00_0-A-001

1	0.157.3550.0	4	shoulder ring
2	0.011.7161.3	1	crown wheel
3	2.1631.519.0	2	roll pin 6x50
4	0.010.0614.0/10	1	pin
5	2.1599.427.0/10	2	shoulder ring 42x64x0.3
6	0.008.5908.0	1	spacer
7	0.010.5034.2	6	disc mm 2.50
8	0.010.0711.0	6	disc mm 1.75
9	0.010.4853.0/10	1	piston
10	2.1539.094.0	1	special oil seal 151.99x3.53
11	0.005.8281.0	1	oil seal 61.6x2.62
12	0.008.4346.2	1	spring
13	0.008.4344.0	1	cup
14	2.1410.024.1	1	circlip Ø 60 mm
15	0.015.2833.0/20	1	flange sx/lh/li
16	2.1580.319.0	5	shim 86x98x0.5
17	2.1580.320.0	2	shim 86x98x0.2
18	2.1580.321.0	2	shim 86x98x0.05
19	0.010.0613.0	2	pin
20	2.2520.012.0	1	roller bearing iso 55 kb 02
21	0.015.6692.0/10	1	flange
22	2.1580.305.0	2	shim 97x108x0.2
23	2.1580.306.0	2	shim 97x108x0.5
24	2.1580.312.0	2	shim 97x108x0.05
25	2.2520.013.0	1	roller bearing iso 60 kb 02
31	2.0129.028.2	12	screw m 12 p.1.25x30
32	0.010.0549.0/20	1	differential carrier
33	0.008.5909.3/30	1	cover
34	2.0112.309.2	8	screw m 10 p.1.5 x 25
35	2.1475.003.2	8	washer 10
36	0.164.3646.0	2	piston ring

XM 120 T4i HI-LEVEL -> ZKDY8702W0TH10001

Section: E0 - REAR AXLE

Ref: E0.02.2 (1)

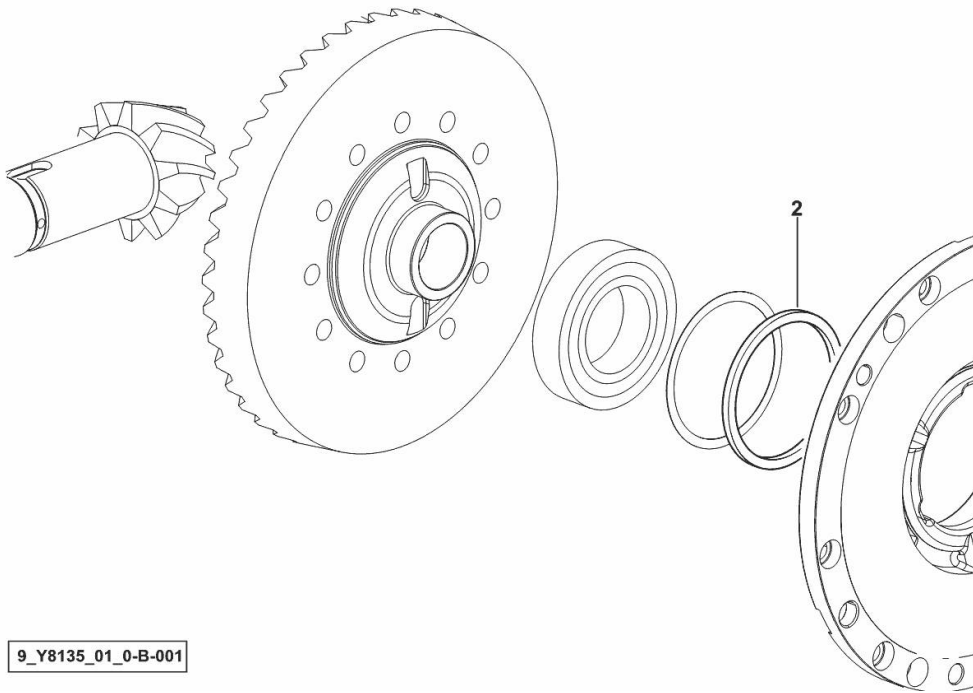
SEPARATOR 86x98x5

Fig.	P/n	QTY	Name
------	-----	-----	------

Notes:

[XM 120 T4i HI-LEVEL -> ZKDY8702W0TH10001]

2	2.1599.543.0	1	spacer 86x98x5
---	--------------	---	----------------



9_Y8135_01_0-B-001

XM 120 T4i HI-LEVEL -> ZKDY8702W0TH10001

Section: E0 - REAR AXLE

Ref: E0.02.4 (1)

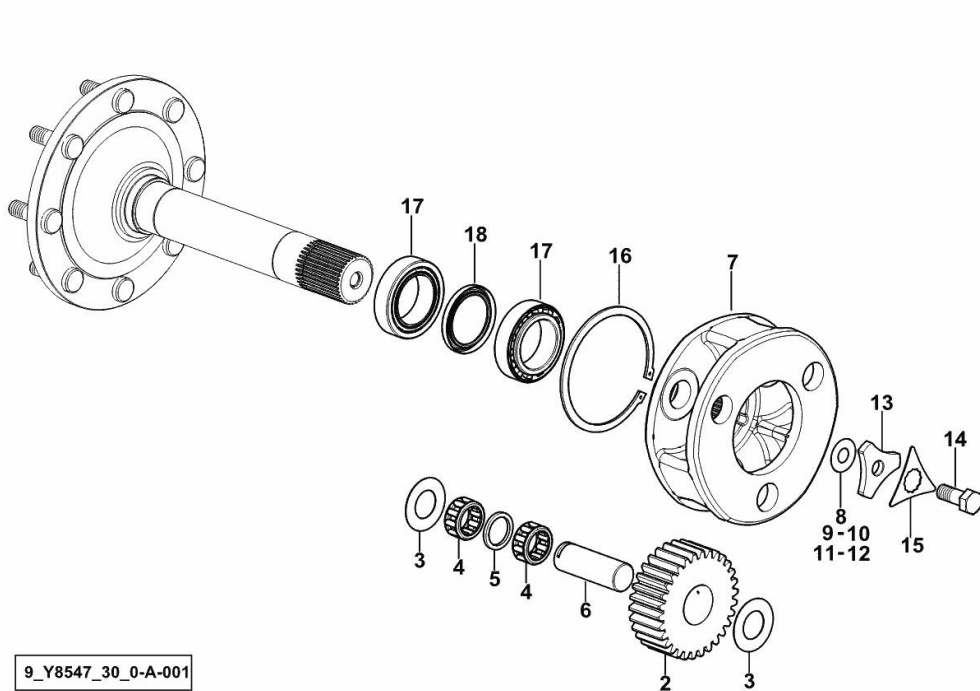
REAR FINAL DRIVES SX/LH/LI - DX/RH/RE

Fig.	P/n	QTY	Name
------	-----	-----	------

Notes:

[XM 120 T4i HI-LEVEL -> ZKDY8702W0TH10001]

2	0.008.5626.0	6	planet gear
3	2.1599.218.0	12	shoulder ring 40.2x75x1.5
4	2.2999.274.0	12	roller cage 40x56x25.8
5	2.1549.140.0	6	spacer 40.2x52x5
6	0.008.5622.0	6	pin
7	0.008.5627.0/50	2	spider
8	2.1589.588.0	4	shim mm 1.0
9	2.1589.589.0	2	shim mm 0.5
10	2.1589.590.0	2	shim mm 0.2
11	2.1589.591.0	2	shim mm 0.15
12	2.1589.592.0	2	shim mm 0.1
13	0.015.9507.0/10	2	washer
14	2.0139.044.7	2	screw m 20 p.1.5x50
15	0.015.9531.0/10	2	lock-tab
16	2.1410.052.1	2	circlip 160
17	2.2999.227.0	4	special bearing 70x110x31
18	2.1529.091.0	2	special oil seal 70x95x10



9_Y8547_30_0-A-001

XM 120 T4i HI-LEVEL -> ZKDY8702W0TH10001

Section: E0 - REAR AXLE

Ref: E0.02.6 (1)

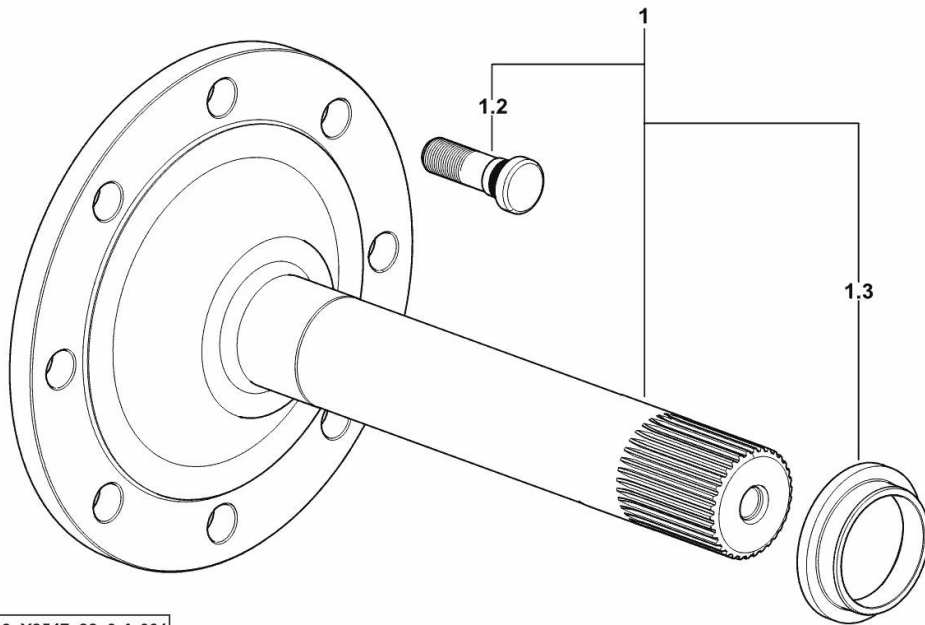
REAR HALF-SHAFTS SX/LH/LI - DX/RH/RE

Fig.	P/n	QTY	Name
------	-----	-----	------

Notes:

[XM 120 T4i HI-LEVEL -> ZKDY8702W0TH10001]

1	0.018.8191.3/20	2	half-shaft
1.2	0.009.3545.0	8	small column m 22 p.1.5x70
1.3	0.008.4226.0/10	1	spacer



9_Y8547_32_0-A-001

XM 120 T4i HI-LEVEL -> ZKDY8702W0TH10001

Section: E0 - REAR AXLE

Ref: E0.02.7 (1)

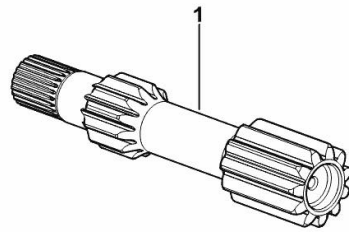
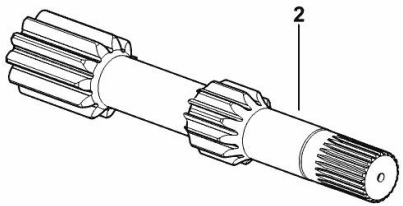
REAR HALF-SHAFTS SX/LH/LI - DX/RH/RE

Fig.	P/n	QTY	Name
------	-----	-----	------

Notes:

[XM 120 T4i HI-LEVEL -> ZKDY8702W0TH10001]

1	0.015.9539.0/10	1	half-shaft sx/lh/li
2	0.015.9489.0/10	1	half-shaft dx/rh/re



9_Y8547_31_0-A-001

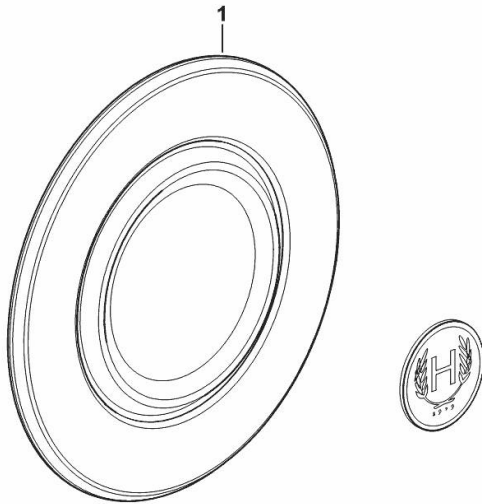
REAR WHEEL HUB COVER

Fig.	P/n	QTY	Name
------	-----	-----	------

Notes:

[XM 120 T4i HI-LEVEL -> ZKDY8702W0TH10001]

1	0.019.4341.3/10	4	cover
---	-----------------	---	-------



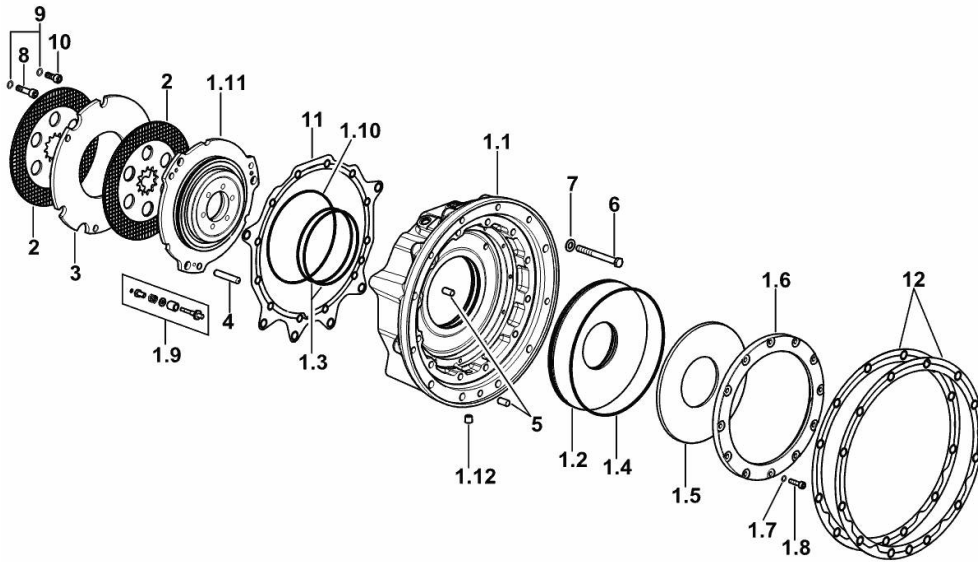
9_Y7546_10_0-B-001

XM 120 T4i HI-LEVEL -> ZKDY8702W0TH10001

Section: E0 - REAR AXLE

Ref: E0.03.3 (1)

REAR BRAKES WITH 0.55 mm WEAR ADJUSTMENT



9_Y8554_30_0-A-001

Fig.	P/n	QTY	Name
------	-----	-----	------

Notes:

[XM 120 T4i HI-LEVEL -> ZKDY8702W0TH10001]

1.1	0.018.7823.0/30	2	flange SX/LH/LI - DX/RH/RE
1.2	0.018.9211.0	1	piston
1.3	2.1532.253.0	2	oil seal 148.82x3.53
1.4	2.1532.308.0	1	oil seal 253.59x3.53
1.5	2.1499.244.0	1	spring 250x105
1.6	0.015.2815.0/10	1	ring
1.7	2.1480.014.2	12	washer 8
1.8	2.0314.210.2	12	screw m 8 x 30
1.9	0.018.7891.4	3	device
1.10	2.1532.279.0	1	oil seal 183.74x3.53
1.11	0.015.2798.0/30	1	piston
1.12	2.3130.002.7	1	plug 1/4" gas
2	0.016.3140.2	4	brake disc D=243
3	0.015.2805.0/20	2	spacer
4	2.1655.617.0	6	pin 12x65
5	2.1655.608.0	4	pin 12 x 24
6	2.0112.433.2	24	screw m 12 p.1.75x120
7	2.1475.004.2	24	spring washer 12
8	2.0312.314.2	2	screw m 10 p.1.5 x 40
9	2.1480.015.2	18	washer 10
10	2.0312.308.2	10	screw m 10 p.1.5 x 25
11	0.018.5939.0	2	gasket
12	0.018.6334.0	4	gasket

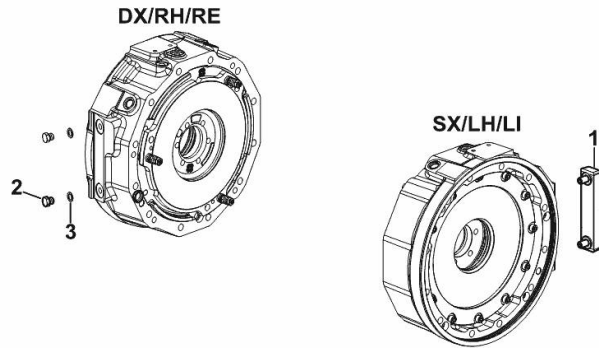
OIL LEVEL INDICATOR

Fig.	P/n	QTY	Name
------	-----	-----	------

Notes:

[XM 120 T4i HI-LEVEL -> ZKDY8702W0TH10001]

1	0.015.8160.0	1	level indicator
2	2.3110.302.2	2	plug m 12 p.1.75 x 10
3	2.1560.008.0	2	gasket 12.2 x 18



9_Y8544_32_0-B-001

XM 120 T4i HI-LEVEL -> ZKDY8702W0TH10001

Section: E0 - REAR AXLE

Ref: E0.03.5 (1)

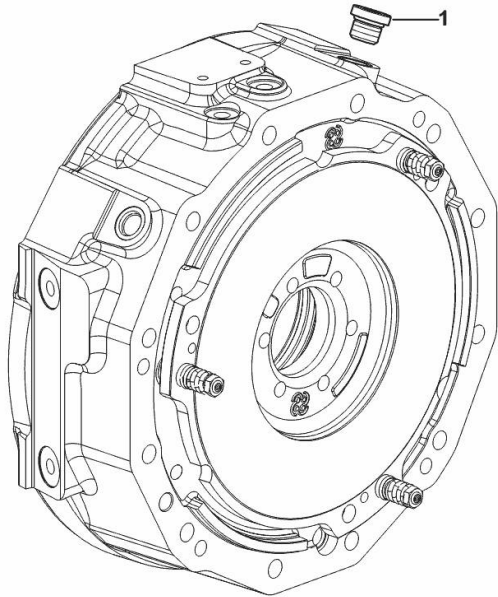
PLUG

Fig.	P/n	QTY	Name
------	-----	-----	------

Notes:

[XM 120 T4i HI-LEVEL -> ZKDY8702W0TH10001]

1	2.3121.005.2	2	plug m 16 p.1.5
---	--------------	---	-----------------



9_L8066_32_0-A-001

XM 120 T4i HI-LEVEL -> ZKDY8702W0TH10001

Section: F0 - FRONT AXLE

Ref: F0.01.0 (1)

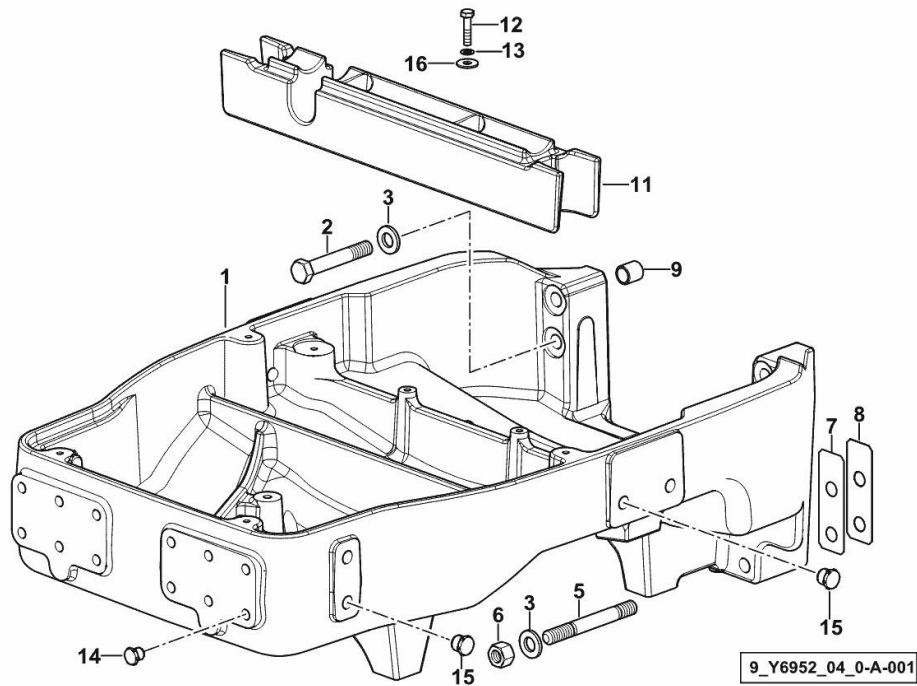
FRONT SUPPORT

Fig.	P/n	QTY	Name
------	-----	-----	------

Notes:

- FOR TYPES WITHOUT FRONT PTO AND FRONT LIFT [XM 120 T4i HI-LEVEL -> ZKDY8702W0TH10001]

1	0.018.9333.0/10	1	front support
2	2.0113.629.2	4	screw m 16 p.2x100
3	2.1475.206.7	8	washer 17x32
5	2.0443.426.7	4	stud bolt m 16 p.1.5x110
6	2.1012.309.7	4	nut m 16 p.1.5
7	0.019.0152.0	2	shim mm 0.1
8	0.019.0154.0	6	shim mm 0.2
9	2.2680.047.0	2	ring 17x22x23
11	0.019.0178.2	1	gasket
12	2.0112.213.2	2	screw m 8 p.1.25 x 35
13	2.1470.004.2	2	lock washer 8
14	2.3199.360.0	12	plug m 14 p.2
15	2.3199.361.0	8	plug m 18 p.2.5
16	2.1312.004.2	2	washer 8x24x2



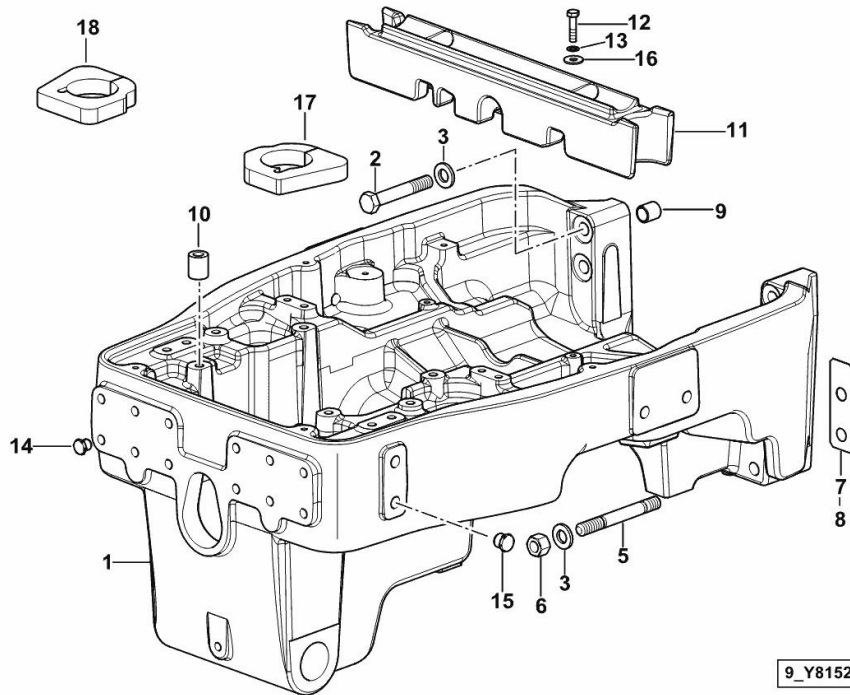
FRONT SUPPORT

Fig.	P/n	QTY	Name
------	-----	-----	------

Notes:

- FOR TYPES W/ OR W/ PROVISION FOR FRONT LIFT/FRONT PTO [XM 120 T4i HI-LEVEL -> ZKDY8702W0TH10001]

1	0.018.9315.0/20	1	front support
2	2.0113.629.2	4	screw m 16 p.2x100
3	2.1475.206.7	8	washer 17x32
5	2.0443.426.7	4	stud bolt m 16 p.1.5x110
6	2.1012.309.7	4	nut m 16 p.1.5
7	0.019.0152.0	2	shim mm 0.1
8	0.019.0154.0	6	shim mm 0.2
9	2.2680.047.0	2	ring 17x22x23
10	2.1579.820.2	4	spacer 13x25x30
11	0.018.9833.2	1	gasket
12	2.0112.213.2	2	screw m 8 p.1.25 x 35
13	2.1470.004.2	2	lock washer 8
14	2.3199.360.0	12	plug m 14 p.2
15	2.3199.361.0	8	plug m 18 p.2.5
16	2.1312.004.2	2	washer 8x24x2
17	0.020.2981.0	1	dust guard sx/lh/li
18	0.020.2982.0	1	dust guard dx/rh/re



XM 120 T4i HI-LEVEL -> ZKDY8702W0TH10001

Section: F0 - FRONT AXLE

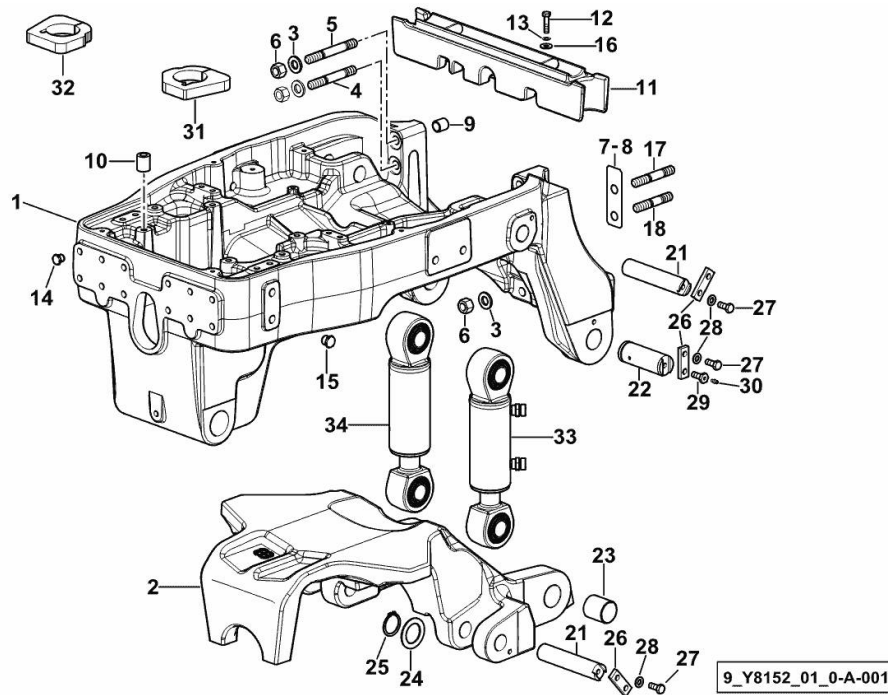
Ref: F0.01.2 (2)

FRONT CARRIER WITH SUSPENSION

Fig.	P/n	QTY	Name
------	-----	-----	------

Notes:

- FOR TYPES W/ OR W/ PROVISION FOR FRONT LIFT/FRONT PTO [XM 120 T4i HI-LEVEL -> ZKDY8702W0TH10001]



1	0.018.9317.0/20	1	front support
2	0.018.9302.0/10	1	support
3	2.1475.206.7	8	washer 17x32
4	2.0443.423.7	2	stud bolt m 16 p.1.5x90
5	2.0443.425.7	2	stud bolt m 16 p.1.5 x 100
6	2.1012.309.7	8	nut m 16 p.1.5
7	0.019.0152.0	2	shim mm 0.1
8	0.019.0154.0	6	shim mm 0.2
9	2.2680.047.0	2	ring 17x22x23
10	2.1579.820.2	4	spacer 13x25x30
11	0.018.9833.2	1	gasket
12	2.0112.213.2	2	screw m 8 p.1.25 x 35
13	2.1470.004.2	2	lock washer 8
14	2.3199.360.0	12	plug m 14 p.2
15	2.3199.361.0	8	plug m 18 p.2.5
16	2.1312.004.2	2	washer 8x24x2
17	2.0443.420.7	2	stud bolt m 16 p.1.5 x 75
18	2.0443.418.7	2	stud bolt m 16 p.1.5 x 65
21	0.015.3715.0/10	4	pin
22	04438671	2	pin
23	04424134/20	2	bushing
24	04438682	2	ring
25	2.1410.016.7	2	circlip 40x1.75
26	04422768	6	small plate
27	2.0112.309.2	10	screw m 10 p.1.5 x 25
28	2.1310.006.2	10	flat washer 10.5x21
29	04450386/20	2	screw m 10 x 25
30	2.3820.101.2	2	grease gun m 6 p.1 x 5
31	0.020.2981.0	1	dust guard sx/lh/li
32	0.020.2982.0	1	dust guard dx/rh/re
33	2.3749.015.0	1	jack sx/lh/li - Ognibene ☞ 2.3749.015.0
34	2.3749.016.0	1	jack dx/rh/re - Ognibene ☞ 2.3749.016.0

XM 120 T4i HI-LEVEL -> ZKDY8702W0TH10001

Section: F0 - FRONT AXLE

Ref: F0.01.3 (1)

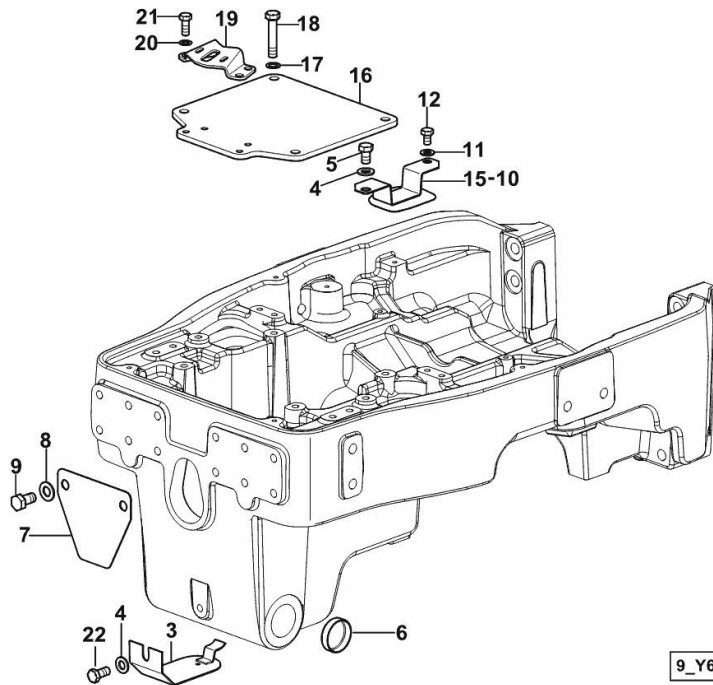
COMPLETION - WITHOUT FRONT PTO

Fig.	P/n	QTY	Name
------	-----	-----	------

Notes:

- FOR TYPES W/O FRONT LIFT BUT WITH PROVISION FOR FRONT LIFT INSTALLATION [XM 120 T4i HI-LEVEL -> ZKDY8702W0TH10001] - FOR TYPES WITH SPENDED AXLE AND WITHOUT FRONT LIFT [XM 120 T4i HI-LEVEL -> ZKDY8702W0TH10001]

3	0.011.0753.2/20	1	plug
4	2.1310.007.2	3	flat washer 13 x 24
5	2.0112.407.2	2	screw m 12 p.1.75 x 20
6	2.3171.019.4	2	plug 50
7	0.019.0338.0/10	1	plug
8	2.1310.009.2	2	flat washer 15x20
9	2.0112.509.2	2	screw m 14 p.1.5x25
10	0.011.2616.2/20	1	shield dx/rh/re
11	2.1310.006.2	2	flat washer 10.5x21
12	2.0112.305.2	2	screw m 10 p.1.5 x 16
15	0.011.2615.2/20	1	shield sx/lh/li
16	0.019.0325.0/20	1	plate
17	2.1470.007.2	4	lock washer 12
18	2.0112.421.2	4	screw m 12 p.1.75 x 60
19	0.019.1504.0/10	1	support
20	2.1470.006.2	4	lock washer 10
21	2.0112.309.2	4	screw m 10 p.1.5 x 25
22	2.0122.459.6	1	screw m 12 p.1.25x25



9_Y6952_06_0-A-001

Thank you so much for reading.
Please click the “Buy Now!”
button below to download the
complete manual.



After you pay.

You can download the most
perfect and complete manual in
the world immediately.

Our support email:

ebooklibonline@outlook.com