

STEERING COLUMN

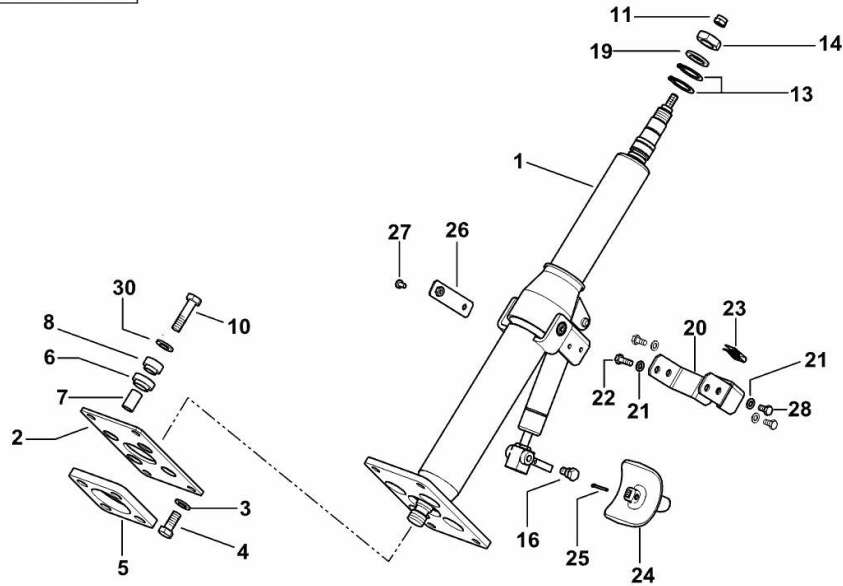
Fig.	P/n	QTY	Name
------	-----	-----	------

Notes:

[XM 130 T4i HI-LEVEL]

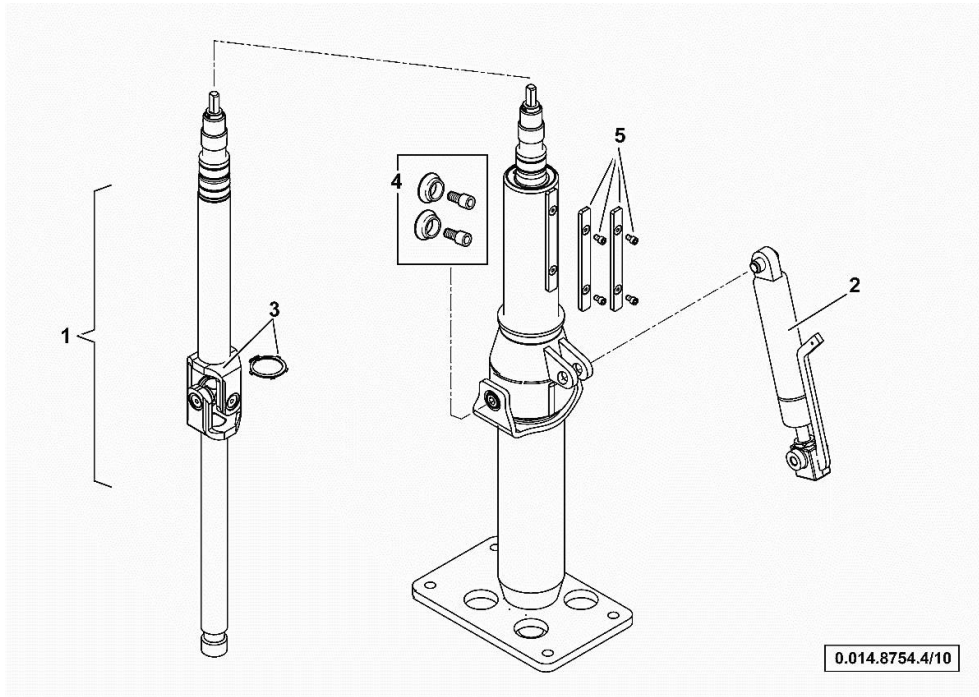
1	0.014.8754.4/10	1	steering column ☞ 0.014.8754.4/10
2	0.010.7445.0/10	1	plate
3	2.1310.006.2	4	flat washer 10.5x21
4	2.0114.307.2	4	screw m 10 x 20, d933
5	04355546	1	plate
6	04355695	4	spacer
7	04386557	4	spacer
8	0.018.1722.0	4	spacer
10	2.0114.315.2	4	screw m 10 p.1.5 x 40
11	2.1120.105.2	1	self-locking nut m 8 p.1.25
13	2.1410.010.7	2	circlip 25
14	2.1011.510.2	1	nut m 18 p.1.5
16	2.0119.243.2/10	2	screw m 8 p1.25x16
19	2.1470.010.2	1	lock washer 18
20	0.013.2548.0/20	1	bracket
21	2.1475.201.2	4	washer 6.4x12
22	2.0112.005.2	1	screw m 6 p.1 x 16
23	2.6999.035.0	1	clip
24	0.013.2547.0/10	1	lever
25	2.1690.408.2	1	split pin 4 x 20
26	0.014.3119.3	1	plate
27	2.0330.302.2	1	screw m 5x8
28	2.0112.003.2	3	screw m 6 p.1 x 12
30	2.1399.039.2/10	4	washer 10 x 25 x 2,5

9_Y6963_00_0-A-001



STEERING COLUMN

Fig.	P/n	QTY	Name
1	0.014.8754.4/10	1	steering column
2	0.900.0305.8	1	spring
3	0.900.0454.6	1	shaft
4	0.900.0063.7	1	pin
5	0.010.3701.0	1	stick



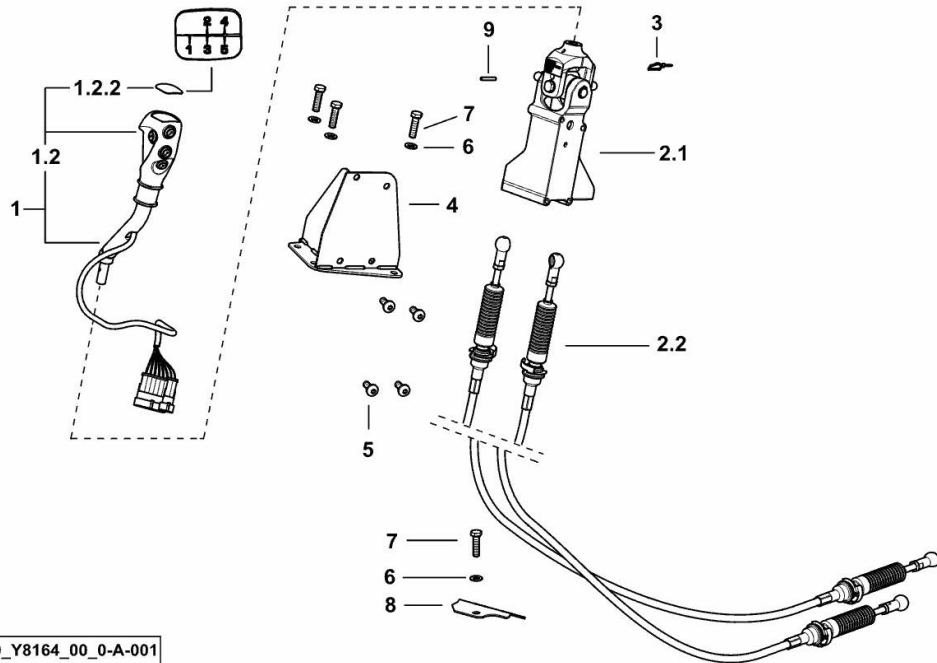
GEARSHIFT LEVER

Fig.	P/n	QTY	Name
------	-----	-----	------

Notes:

[XM 130 T4i HI-LEVEL]

1	0.019.1107.4/10	1	lever ☞ 0.019.1107.4/10
1.2	0.019.7635.3	1	knob - WITHOUT PUSHBUTTONS
1.2.2	0.019.8900.2	1	cap
2.1	0.018.4985.4	1	control ☞ 0.018.4985.4
2.2	0.019.8673.4	2	rod
3	2.6852.001.0	1	clamp 99 x 2.5
4	0.019.8756.2/10	1	bracket
5	2.0330.507.2	4	screw m 8 p.1.25 x 20
6	2.1310.004.2	5	flat washer 8.4x17
7	2.0112.211.2	5	screw m 8 p.1.25 x 30
8	0.019.1144.0	1	bracket
9	2.1630.450.2	1	pin 4x22



RANGE CONTROL

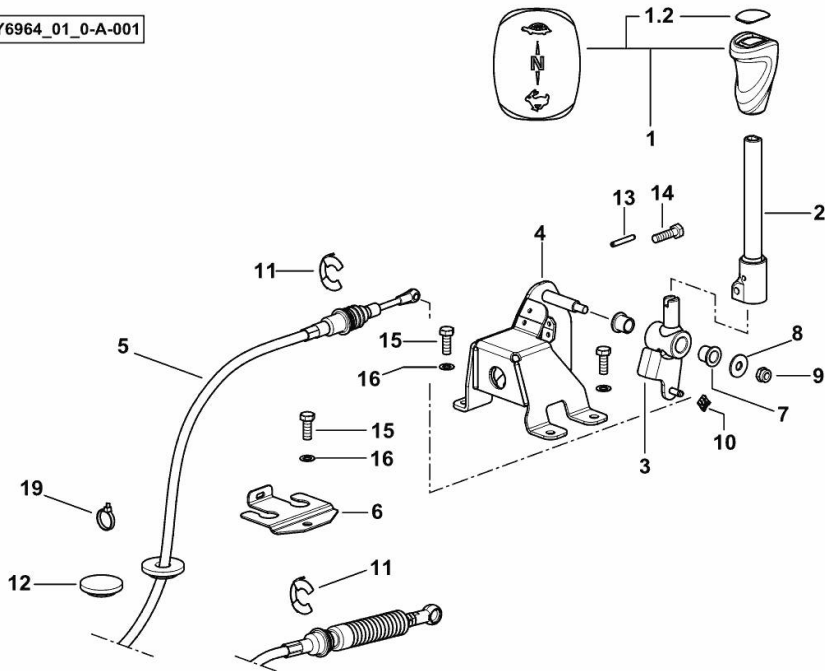
Fig.	P/n	QTY	Name
------	-----	-----	------

Notes:

- FOR MODELS WITH 2 RANGES [XM 130 T4i HI-LEVEL]

1	0.019.2023.3/20	1	knob
1.2	0.019.2024.3/10	1	cap
2	0.019.0376.3	1	gear lever
3	0.019.0367.3	1	hub
4	0.019.0361.2	1	bracket
5	0.019.0372.3/10	1	rod
6	0.019.0397.0/10	1	bracket
7	2.1559.243.0	2	special bushing 12x16x15
8	2.1312.004.2	1	washer 8x24x2
9	2.1120.105.2	1	self-locking nut m 8 p.1.25
10	01175725	1	clip 6, d128
11	04418159	2	circlip
12	0.013.1681.0	1	plug
13	2.1631.415.2	1	pin 5x32
14	2.0112.211.2	1	screw m 8 p.1.25 x 30
15	2.0112.208.2	5	screw m 8 p.1.25 x 22
16	2.1470.004.2	5	lock washer 8
19	2.6852.101.0	1	clamp 142x3.6

9_Y6964_01_0-A-001



RANGE CONTROL

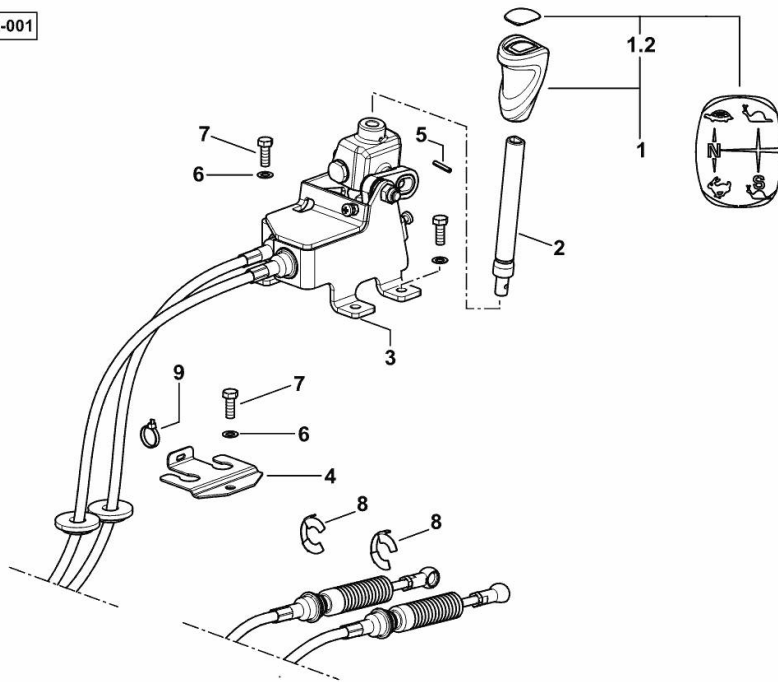
Fig.	P/n	QTY	Name
------	-----	-----	------

Notes:

- FOR MODELS WITH 4 RANGES [XM 130 T4i HI-LEVEL]

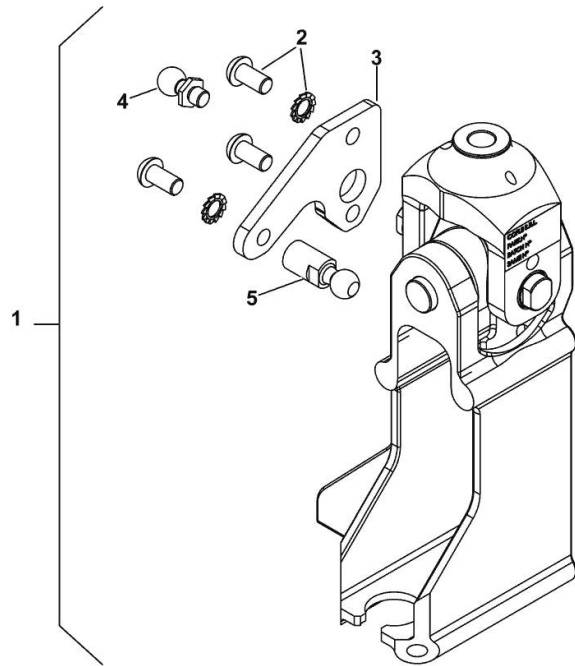
1	0.019.0170.3/20	1	knob
1.2	0.019.0171.3/10	1	cap
2	0.019.2530.2	1	lever
3	0.018.9163.4/20	1	control ☞ 0.018.9163.4/20
4	0.019.0397.0/10	1	bracket
5	2.1630.450.2	1	pin 4x22
6	2.1470.004.2	5	lock washer 8
7	2.0112.208.2	5	screw m 8 p.1.25 x 22
8	04418159	2	circlip
9	2.6852.101.0	1	clamp 142x3.6

9_Y6964_02_0-A-001



DRIVE FOR GEAR CHANGE BOX

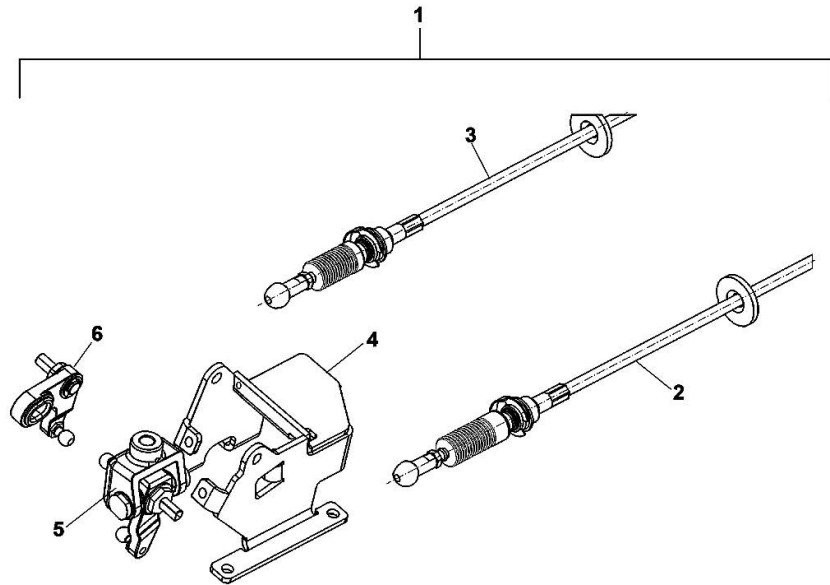
Fig.	P/n	QTY	Name
1	0.018.4985.4	1	control
2	0.000.0000.1		cannot be supplied
3	0.900.2126.2	1	bracket
4	0.900.2126.3	1	screw
5	0.900.2126.4	1	small pin



0.018.4985.4

DRIVE

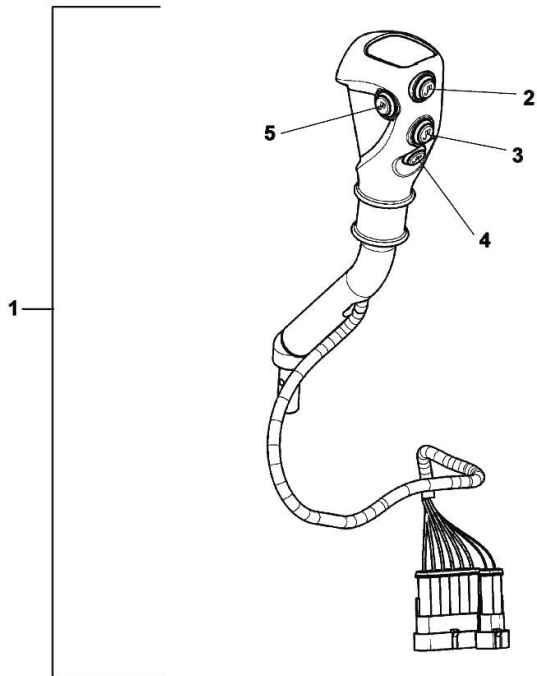
Fig.	P/n	QTY	Name
1	0.018.9163.4/20	1	control
2	0.900.2044.1	1	cable
3	0.900.2044.2	1	cable
4	0.900.2044.3	1	support
5	0.900.2037.6	1	control
6	0.900.2037.7	1	transmission



0.018.9163.4/20

GEARSHIFT LEVER

Fig.	P/n	QTY	Name
1	0.019.1107.4/10	1	lever
2	0.900.2274.8	1	button
3	0.900.2274.9	1	button
4	0.900.2275.0	1	button
5	0.900.2275.1	1	button



0.019.1107.4/10

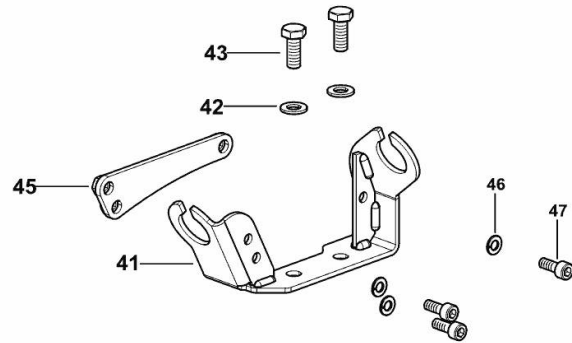
BOWDEN REACTION BRACKET FOR 2-SPEED P.T.O.

Fig.	P/n	QTY	Name
------	-----	-----	------

Notes:

[XM 130 T4i HI-LEVEL]

41	0.019.0264.2/20	1	bracket
42	2.1310.004.2	2	flat washer 8.4x17
43	2.0112.207.2	2	screw m 8 p 1.25 x 20
45	0.020.0012.2	1	small plate
46	2.1474.007.2	3	washer 6, d128
47	2.0312.104.2	3	screw m 6 p.1 x 16



9_Y8136_01_0-B-001

XM 130 T4i HI-LEVEL

Section: G0 - BODYWORK - CAB

Ref: G0.16.1 (1)

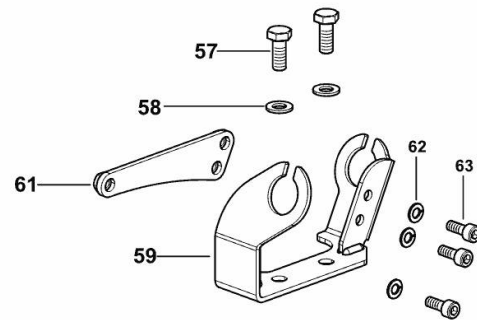
BOWDEN REACTION BRACKET FOR 4-SPEED P.T.O.

Fig.	P/n	QTY	Name
------	-----	-----	------

Notes:

[XM 130 T4i HI-LEVEL]

57	2.0112.207.2	2	screw m 8 p 1.25 x 20
58	2.1310.004.2	2	flat washer 8.4x17
59	0.019.0264.2/20	1	bracket
61	0.020.0012.2	1	small plate
62	2.1474.007.2	3	washer 6, d128
63	2.0312.104.2	3	screw m 6 p.1 x 16



9_Y8136_00_0-B-001

XM 130 T4i HI-LEVEL

Section: G0 - BODYWORK - CAB

Ref: G0.16.2 (1)

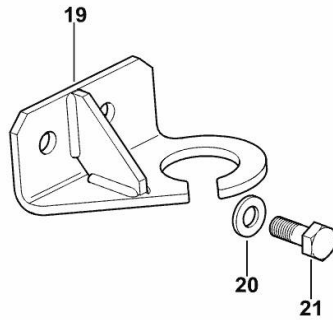
BOWDEN CABLE REACTION BRACKET FOR GROUND SPEED PTO

Fig.	P/n	QTY	Name
------	-----	-----	------

Notes:

[XM 130 T4i HI-LEVEL]

19	0.020.0059.2	1	bracket
20	2.1310.002.2	2	flat washer 6.4x12.5
21	2.0112.005.2	2	screw m 6 p.1 x 16

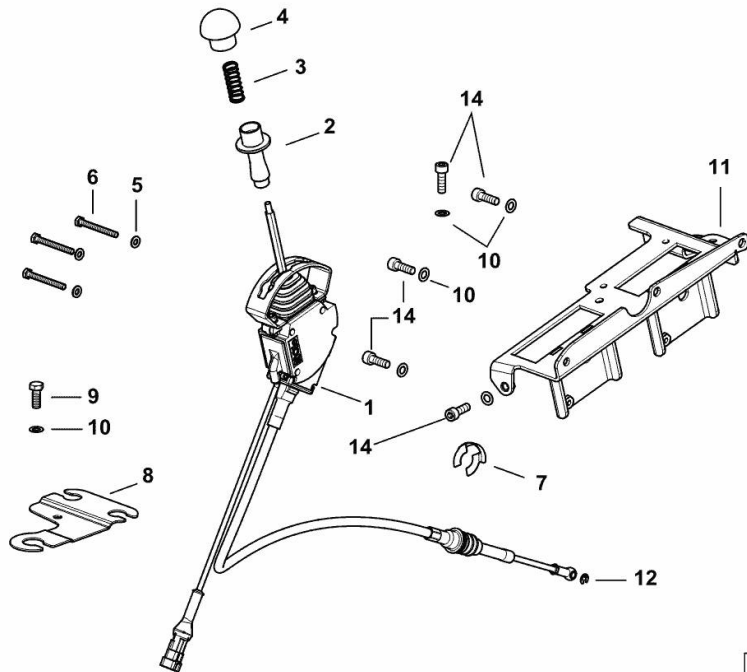


9_Y8136_02_0-B-001

Fig.	P/n	QTY	Name
------	-----	-----	------

Notes:
 [XM 130 T4i HI-LEVEL]

1	0.018.7372.4	1	control
2	0.018.9419.0	1	slider
3	2.4019.835.2	1	spring
4	0.018.9421.2	1	knob
5	2.1310.002.2	3	flat washer 6.4x12.5
6	2.0112.020.2	3	screw m 6 p.1 x 55
7	04418159	1	circlip
8	0.018.8753.0	1	bracket
9	2.0112.208.2	1	screw m 8 p.1.25 x 22
10	2.1470.004.2	6	lock washer 8
11	0.019.1142.3/10	1	plate
12	2.1430.006.2	1	circlip 5
14	2.0312.208.2	5	screw m 8 p.1.25 x 25



9_Y6968_15_0-A-001

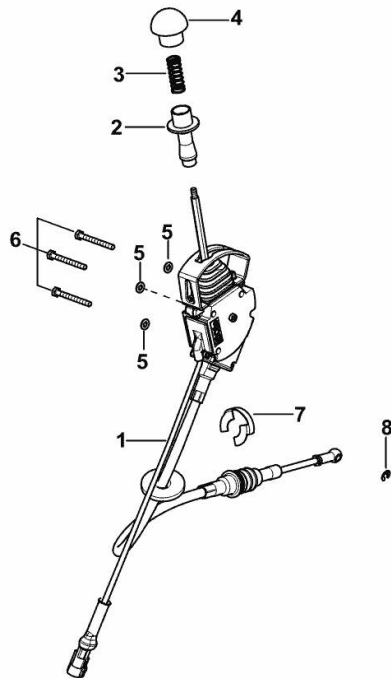
ECONOMY PTO CONTROL

Fig.	P/n	QTY	Name
------	-----	-----	------

Notes:

- FOR TYPES WITH 4-SPEED PTO [XM 130 T4i HI-LEVEL]

1	0.019.0292.4	1	control
2	0.018.9419.0	1	slider
3	2.4019.835.2	1	spring
4	0.018.9421.2	1	knob
5	2.1310.002.2	3	flat washer 6.4x12.5
6	2.0112.020.2	3	screw m 6 p.1 x 55
7	04418159	1	circlip
8	2.1430.006.2	1	circlip 5



9_Y6968_00_0-A-001

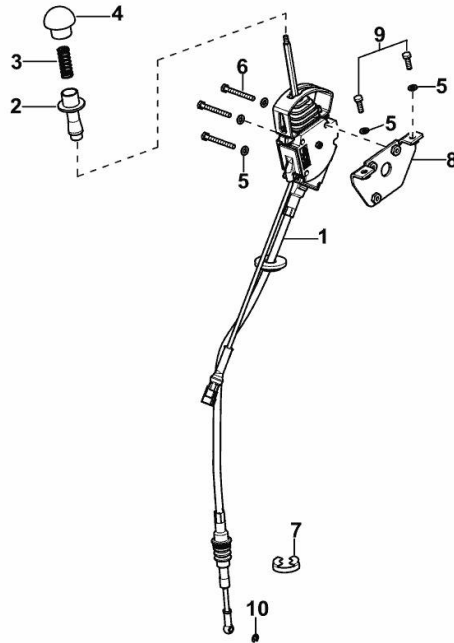
PTO 540/N CONTROL SYNCRO

Fig.	P/n	QTY	Name
------	-----	-----	------

Notes:

[XM 130 T4i HI-LEVEL]

1	0.018.7374.4	1	control
2	0.018.9419.0	1	slider
3	2.4019.835.2	1	spring
4	0.018.9421.2	1	knob
5	2.1310.002.2	5	flat washer 6.4x12.5
6	2.0112.020.2	3	screw m 6 p.1 x 55
7	04418159	1	circlip
8	0.019.1143.3	1	bracket
9	2.0112.007.2	2	screw m 6 p.1 x 20
10	2.1430.006.2	1	circlip 5



9_Y6968_01_0-A-001

XM 130 T4i HI-LEVEL

Section: G0 - BODYWORK - CAB

Ref: G0.18.0 (1)

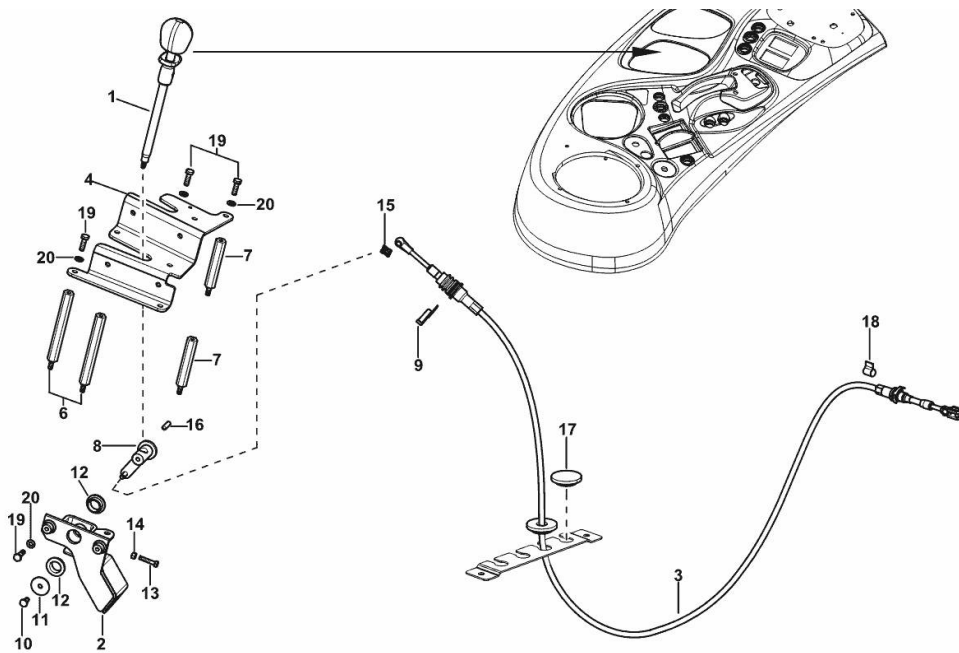
6 WAY SPOOL VALVES CONTROL

Fig.	P/n	QTY	Name
------	-----	-----	------

Notes:

- FOR TYPES WITHOUT OIL FLOW CONTROL [XM 130 T4i HI-LEVEL]

1	0.019.1639.4	1	lever
2	0.019.2134.3	1	bracket
3	0.018.7432.4/10	1	rod
4	0.019.2133.0/20	1	support
6	2.0399.357.2	1	small column
7	0.015.7926.0/20	2	small column
8	0.019.2136.2	1	pin
9	04418159	1	circlip
10	2.0112.003.2	1	screw m 6 p.1 x 12
11	2.1599.545.2	1	washer 6.5x28x2
12	2.1559.447.0	2	bush
13	2.0114.109.2	2	screw
14	2.1011.102.2	2	nut m 5 p.0.7
15	01175725	1	clip 6, d128
16	2.0532.108.7	1	grub screw m6x1x20
17	0.013.1681.0	1	plug
18	2.9939.509.0	1	plate
19	2.0112.007.2	7	screw m 6 p.1 x 20
20	2.1310.002.2	7	flat washer 6.4x12.5



9_Y7388_18_0-A-001

Thank you so much for reading.
Please click the “Buy Now!”
button below to download the
complete manual.



After you pay.

You can download the most
perfect and complete manual in
the world immediately.

Our support email:

ebooklibonline@outlook.com