

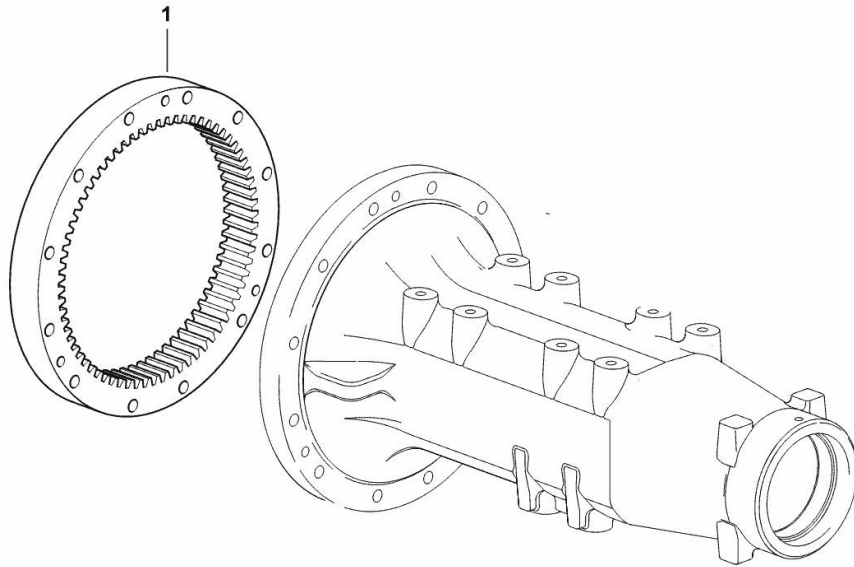
REAR AXLE CROWN WHEEL SX/LH/LI - DX/RH/RE

Fig.	P/n	QTY	Name
------	-----	-----	------

Notes:

[XM.K 100 T4i -> ZKDY470200TH10001]

1	0.445.4440.3	2	crown wheel
---	--------------	---	-------------



9_62047_10_0-A-001

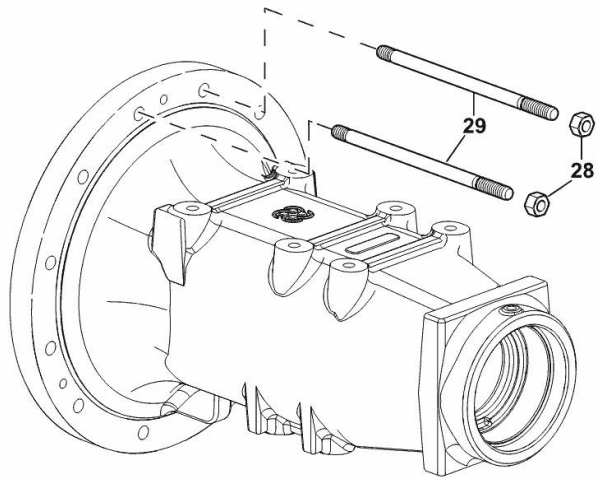
REAR AXLE FIXINGS WITH 60 L HYDRAULIC SYSTEM SX/LH/LI

Fig.	P/n	QTY	Name
------	-----	-----	------

Notes:

- FOR TYPES WITH HYDRAULIC PARK BRAKE [XM.K 100 T4i -> ZKDY470200TH10001]

28	2.1011.107.2	2	nut m 12 p.1.75
29	2.0422.434.7	2	stud bolt m 12 p.1.75x190



9_Y5682_66_0-B-001

4-PLANET PINION DIFFERENTIAL

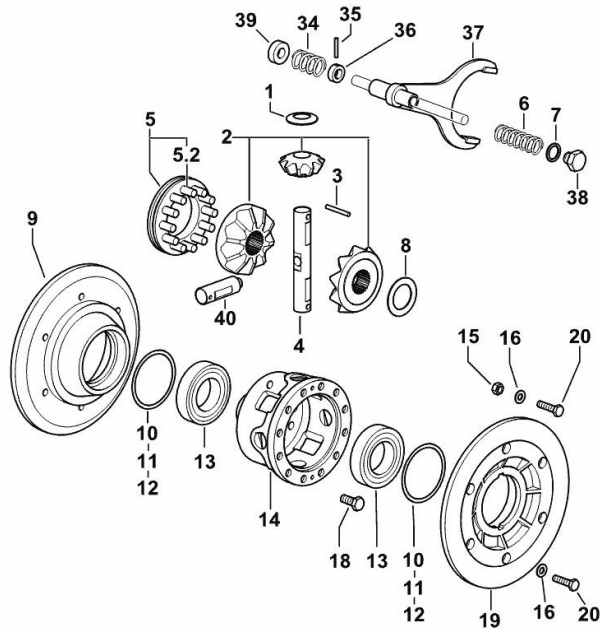


Fig.	P/n	QTY	Name
------	-----	-----	------

Notes:

[XM.K 100 T4i -> ZKDY470200TH10001]

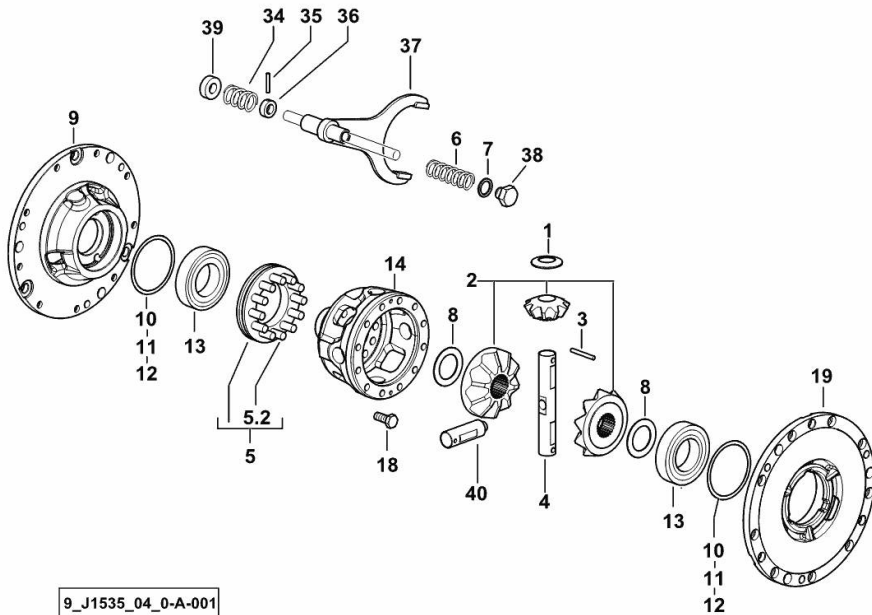
1	0.157.3550.0	4	shoulder ring
2	0.011.7735.3	1	crown wheel
3	2.1631.519.0	2	roll pin 6x50
4	0.010.0614.0/10	1	pin
5	0.135.3527.3/20	1	sleeve
5.2	0.135.3550.0/10	12	pin
6	2.4019.225.1	1	spring 28 x 79 x 4.5
7	2.1560.014.0	1	washer 18.2 x 24
8	2.1599.427.0/10	2	shoulder ring 42x64x0.3
9	0.009.6540.0/30	1	flange dx/rh/re
10	2.1580.319.0	5	shim 86x98x0.5
11	2.1580.320.0	4	shim 86x98x0.2
12	2.1580.321.0	2	shim 86x98x0.05
13	2.2520.012.0	2	roller bearing iso 55 kb 02
14	0.011.7732.0/30	1	differential carrier
15	2.1011.106.2	2	nut m 10 p.1.5
16	2.1480.015.1	14	washer 10
18	2.0129.028.2	12	screw m 12 p.1.25x30
19	0.009.6541.0/30	1	flange sx/lh/li
20	2.0312.314.2	12	screw m 10 p.1.5 x 40
34	2.4019.339.1	1	spring 32x56.5x3.5
35	2.1631.415.2	1	pin 5x32
36	0.190.6858.0	1	spacer 16X28X10
37	0.445.3541.0/30	1	fork
38	2.3110.405.1	1	plug m 18 p.1.5 x 15
39	2.1549.146.0/10	1	spacer 16.5X33X12
40	0.010.0613.0	2	pin

4-PLANET PINION DIFFERENTIAL

Fig.	P/n	QTY	Name
------	-----	-----	------

Notes:

- FOR TYPES WITH HYDRAULIC PARK BRAKE [XM.K 100 T4i -> ZKDY470200TH10001]



1	0.157.3550.0	4	shoulder ring
2	0.011.7735.3	1	crown wheel
3	2.1631.519.0	2	roll pin 6x50
4	0.010.0614.0/10	1	pin
5	0.135.3527.3/20	1	sleeve
5.2	0.135.3550.0/10	12	pin
6	2.4019.225.1	1	spring 28 x 79 x 4.5
7	2.1560.014.0	1	washer 18.2 x 24
8	2.1599.427.0/10	2	shoulder ring 42x64x0.3
9	0.015.2817.0/20	1	flange dx/rh/re
10	2.1580.319.0	5	shim 86x98x0.5
11	2.1580.320.0	4	shim 86x98x0.2
12	2.1580.321.0	2	shim 86x98x0.05
13	2.2520.012.0	2	roller bearing iso 55 kb 02
14	0.011.7732.0/30	1	differential carrier
18	2.0129.028.2	12	screw m 12 p.1.25x30
19	0.015.2833.0/20	1	flange sx/lh/li
34	2.4019.339.1	1	spring 32x56.5x3.5
35	2.1631.415.2	1	pin 5x32
36	0.190.6858.0	1	spacer 16X28X10
37	0.445.3541.0/30	1	fork
38	2.3110.405.1	1	plug m 18 p.1.5 x 15
39	2.1549.146.0/10	1	spacer 16.5X33X12
40	0.010.0613.0	2	pin

9_J1535_04_0-A-001

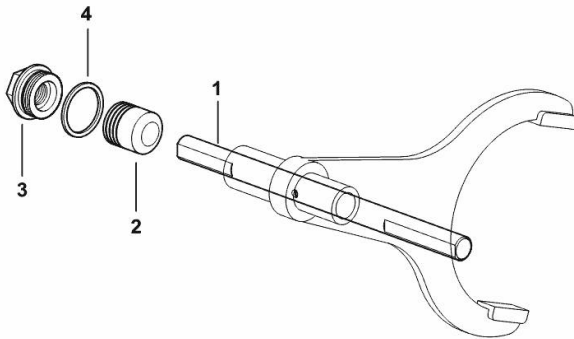
DIFFERENTIAL LOCK CONTROL - ELECTROHYDRAUDLIC

Fig.	P/n	QTY	Name
------	-----	-----	------

Notes:

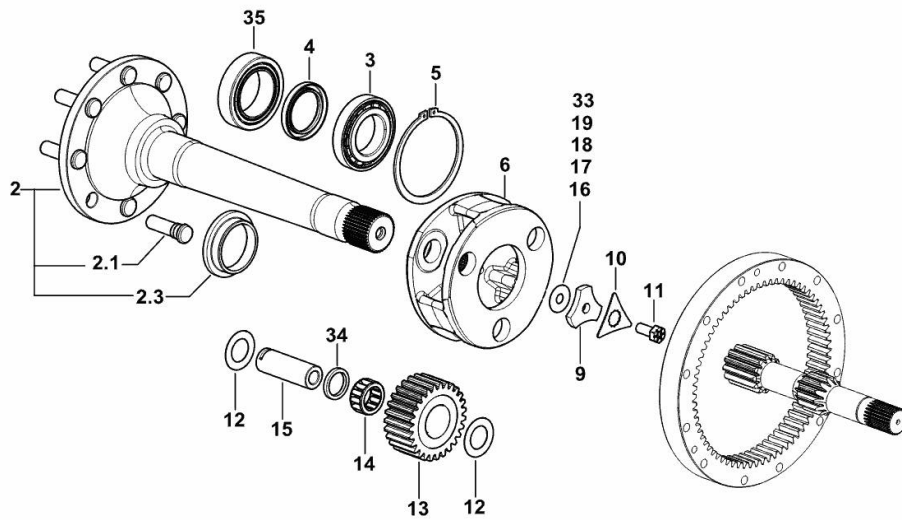
[XM.K 100 T4i -> ZKDY470200TH10001]

1	0.008.5636.0	1	rod mm 253
2	0.008.5650.0/20	1	piston
3	2.3199.176.0/10	1	plug m 30 p.1.5 / m 14 p.1.5
4	2.1560.023.0	1	copper gasket 30.3 x 36



9_61435_02_0-A-001

REAR REDUCTION GEARS AND AXLE SHAFTS SX/LH/LI - DX/RH/RE



9_J1547_30_0-B-001

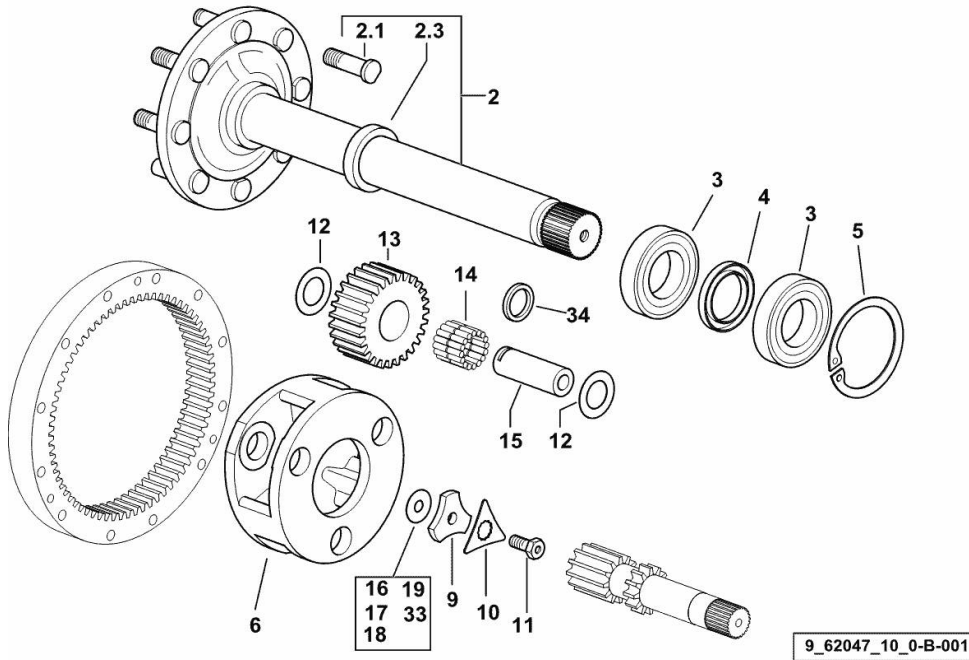
Fig.	P/n	QTY	Name
Notes:			
- FOR TYPES WITH HYDRAULIC PARK BRAKE [XM.K 100 T4i -> ZKDY470200TH10001]			
2	0.015.3262.3/10	2	half-shaft
2.1	0.148.4737.0/20	8	small column m 20x68
2.3	0.008.4226.0/10	1	spacer
3	2.2520.013.0	2	roller bearing iso 60 kb 02
4	2.1510.331.0	2	oil seal 60x85x10
5	2.1410.045.1	2	circlip 125
6	0.008.5581.0/10	2	differential carrier
9	0.255.4745.0/10	2	spacer
10	0.008.5605.0	2	washer
11	2.0139.041.1	2	screw m 14 p.1.5 x 33
12	2.1589.170.0	12	shoulder ring 35x58x1
13	0.008.5582.0	6	planet gear
14	2.2999.197.0	6	roller cage
15	0.445.4725.0	6	pin
16	2.1589.106.0	6	shoulder ring 14.5 x 41 x 1.0
17	2.1589.107.0	2	shoulder ring 14.5 x 41 x 0.5
18	2.1589.108.0	2	shoulder ring 14.5 x 41 x 0.2
19	2.1589.109.0	2	shoulder ring 14.5 x 41 x 0.1
33	2.1589.246.0	2	shoulder ring 14.5 x 41 x 0.15
34	2.1549.138.0	6	spacer
35	2.2999.227.0	2	special bearing 70x110x31

REAR REDUCTION GEARS AND AXLE SHAFTS SX/LH/LI - DX/RH/RE

Fig.	P/n	QTY	Name
------	-----	-----	------

Notes:

[XM.K 100 T4i -> ZKDY470200TH10001]



2	0.445.4734.3/60	2	half-shaft
2.1	0.148.4737.0/20	8	small column m 20x68
2.3	0.445.4750.0	1	spacer
3	2.2520.013.0	4	roller bearing iso 60 kb 02
4	2.1510.331.0	2	oil seal 60x85x10
5	2.1410.045.1	2	circlip 125
6	0.008.5581.0/10	2	differential carrier
9	0.255.4745.0/10	2	spacer
10	0.008.5605.0	2	washer
11	2.0139.041.1	2	screw m 14 p.1.5 x 33
12	2.1589.170.0	12	shoulder ring 35x58x1
13	0.008.5582.0	6	planet gear
14	2.2999.197.0	6	roller cage
15	0.445.4725.0	6	pin
16	2.1589.106.0	6	shoulder ring 14.5 x 41 x 1.0
17	2.1589.107.0	2	shoulder ring 14.5 x 41 x 0.5
18	2.1589.108.0	2	shoulder ring 14.5 x 41 x 0.2
19	2.1589.109.0	2	shoulder ring 14.5 x 41 x 0.1
33	2.1589.246.0	2	shoulder ring 14.5 x 41 x 0.15
34	2.1549.138.0	6	spacer

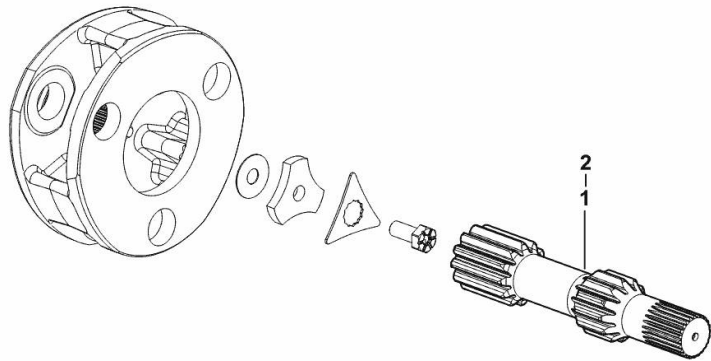
HALF AXLES

Fig.	P/n	QTY	Name
------	-----	-----	------

Notes:

- FOR TYPES WITH HYDRAULIC PARK BRAKE [XM.K 100 T4i -> ZKDY470200TH10001]

1	0.015.3705.0/10	1	half-shaft sx/lh/li
2	0.015.3703.0	1	half-shaft dx/rh/re



9_J1547_31_0-A-001

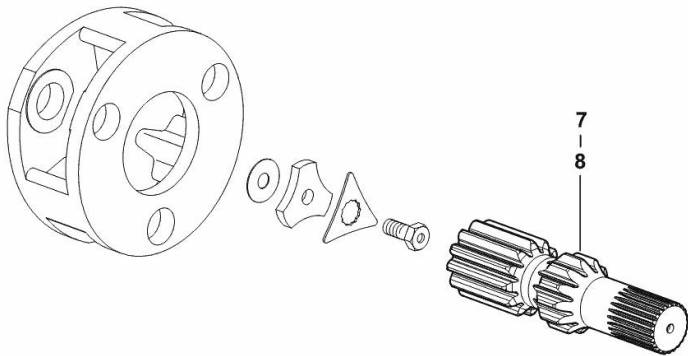
HALF AXLES

Fig.	P/n	QTY	Name
------	-----	-----	------

Notes:

[XM.K 100 T4i -> ZKDY470200TH10001]

7	0.445.4730.0/10	1	half-shaft Z = 12, dx/rh/re
8	0.445.4731.0/10	1	half-shaft Z = 12, sx/lh/li



9_62047_00_0-A-001

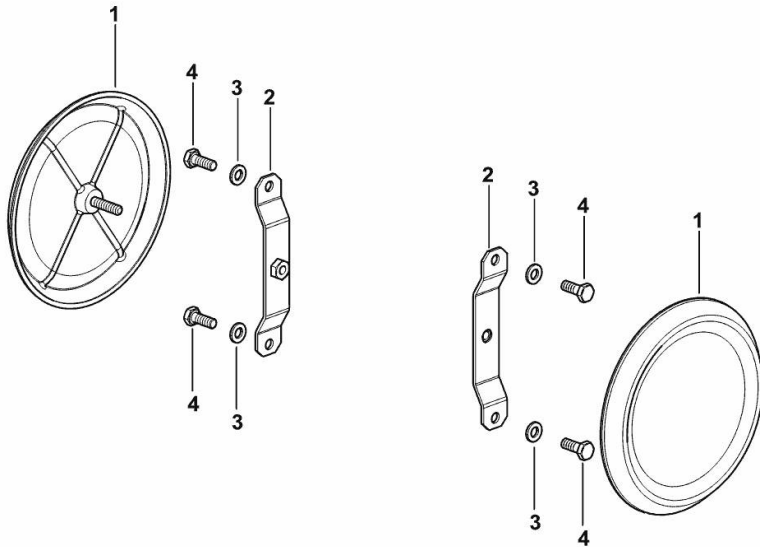
REAR WHEEL HUB COVER

Fig.	P/n	QTY	Name
------	-----	-----	------

Notes:

[XM.K 100 T4i -> ZKDY470200TH10001]

1	0.019.4336.3	2	small cover SX/LH/LI - DX/RH/RE
2	0.019.5747.3	2	bracket
3	2.0112.005.2	4	screw m 6 p.1 x 16
4	2.1310.002.2	4	flat washer 6.4x12.5



9_Y4947_35_0-A-001

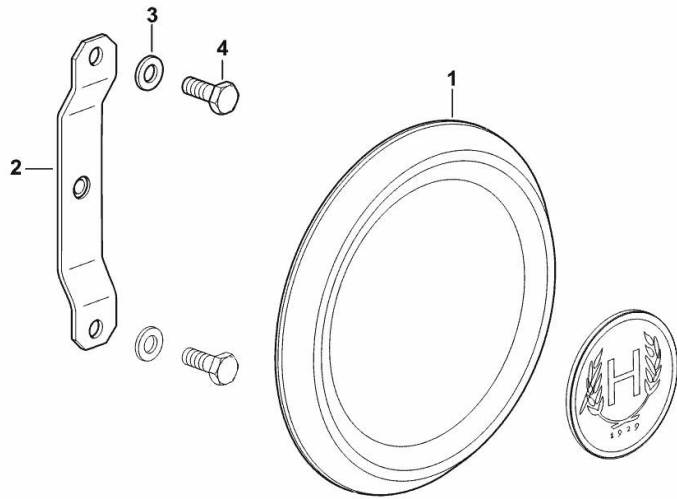
REAR WHEEL HUB COVER

Fig.	P/n	QTY	Name
------	-----	-----	------

Notes:

[XM.K 100 T4i -> ZKDY470200TH10001]

1	0.019.4336.3	2	small cover SX/LH/LI - DX/RH/RE
2	0.019.5747.3	2	bracket
3	2.1310.002.2	4	flat washer 6.4x12.5
4	2.0112.005.2	4	screw m 6 p.1 x 16



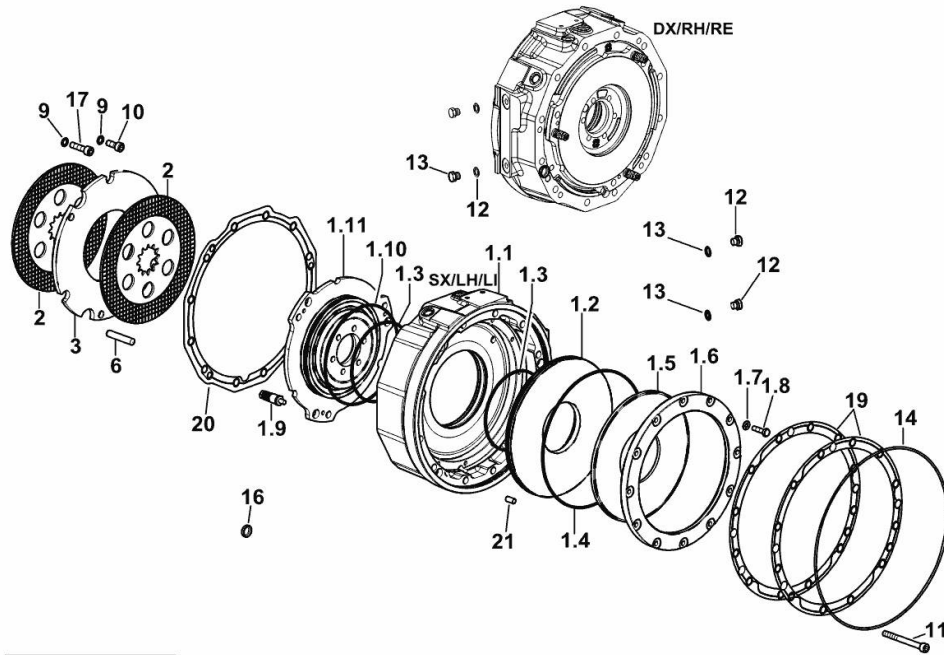
9_Y7147_35_0-B-001

REAR BRAKES SX/LH/LI - DX/RH/RE

Fig.	P/n	QTY	Name
------	-----	-----	------

Notes:

- FOR TYPES WITH HYDRAULIC PARK BRAKE [XM.K 100 T4i -> ZKDY470200TH10001]



1.1	0.021.2415.0/20	2	flange
1.2	0.018.9211.0	2	piston
1.3	2.1532.253.0	4	oil seal 148.82x3.53
1.4	2.1532.308.0	2	oil seal 253.59x3.53
1.5	2.1499.244.0	2	spring 250x105
1.6	0.015.2815.0/10	2	ring
1.7	2.1480.014.2	24	washer 8
1.8	2.0314.210.2	24	screw m 8 x 30
1.9	0.013.5769.4/60	6	device
1.10	2.1532.279.0	2	oil seal 183.74x3.53
1.11	0.015.2798.0/30	2	piston
2	0.016.3140.2	4	brake disc D=243
3	0.015.2805.0/20	2	spacer
6	2.1655.617.0	6	pin 12x65
9	2.1480.015.2	18	washer 10
10	2.0312.308.2	16	screw m 10 p.1.5 x 25
11	2.0312.326.2	8	screw m 10 p.1.5x100
12	2.1560.008.0	4	gasket 12.2 x 18
13	2.3110.302.2	4	plug m 12 p.1.75 x 10
14	2.1539.518.0	2	special oil seal 343x3.53
16	2.3171.009.4	1	expansion plug Ø 22
17	2.0312.314.2	2	screw m 10 p.1.5 x 40
19	0.017.1697.0/10	4	gasket
20	0.017.2401.0	2	gasket
21	2.1655.608.0	4	pin 12 x 24

9_J1554_30_0-A-003

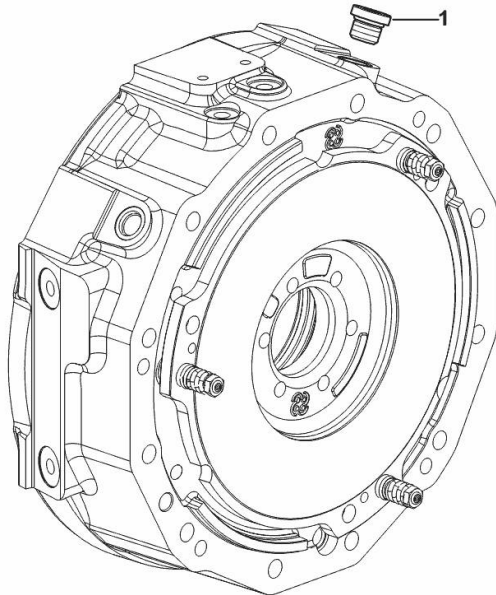
PLUG

Fig.	P/n	QTY	Name
------	-----	-----	------

Notes:

- FOR TYPES WITH HYDRAULIC PARK BRAKE [XM.K 100 T4i -> ZKDY470200TH10001]

1	2.3121.005.2	2	plug m 16 p.1.5
---	--------------	---	-----------------



9_L8066_32_0-A-001

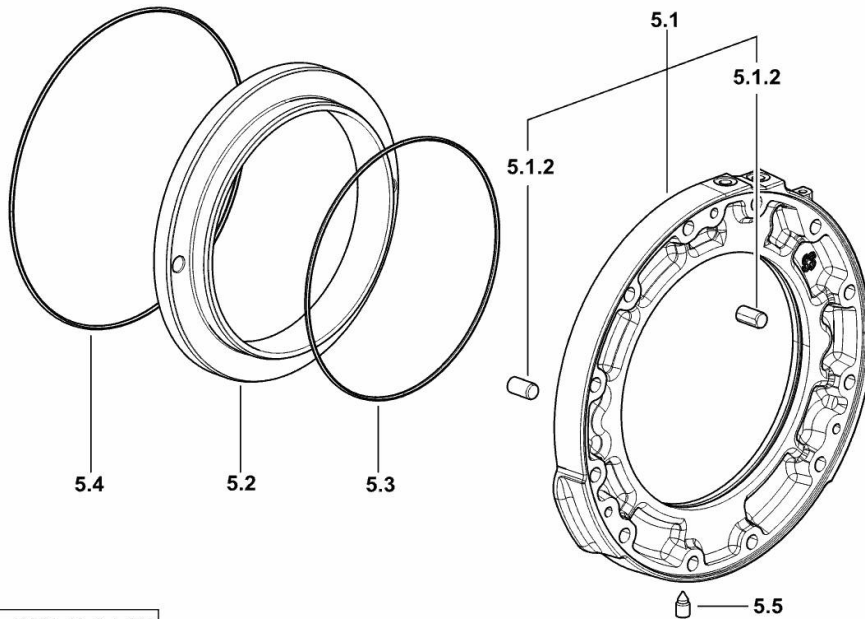
REAR BRAKES

Fig.	P/n	QTY	Name
------	-----	-----	------

Notes:

[XM.K 100 T4i -> ZKDY470200TH10001]

5.1	0.008.5031.3/70	1	box
5.1.2	2.1699.190.0	2	pin 14x28
5.2	0.255.5448.0/30	1	piston
5.3	2.1539.180.0	1	special oil seal 228x3.53
5.4	2.1539.179.0	1	special oil seal 279x3.53
5.5	2.3139.013.7	1	plug m12x1,25



9_40554_10_0-A-002

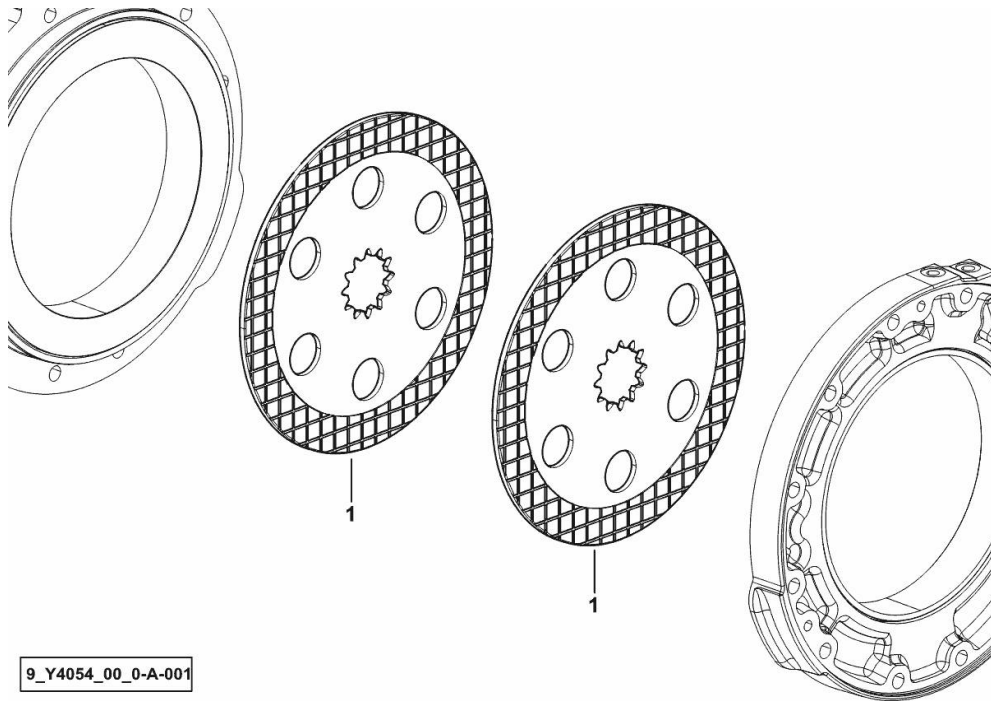
REAR BRAKES

Fig.	P/n	QTY	Name
------	-----	-----	------

Notes:

[XM.K 100 T4i -> ZKDY470200TH10001]

1	0.011.3765.2	2	brake disc
---	--------------	---	------------



9_Y4054_00_0-A-001

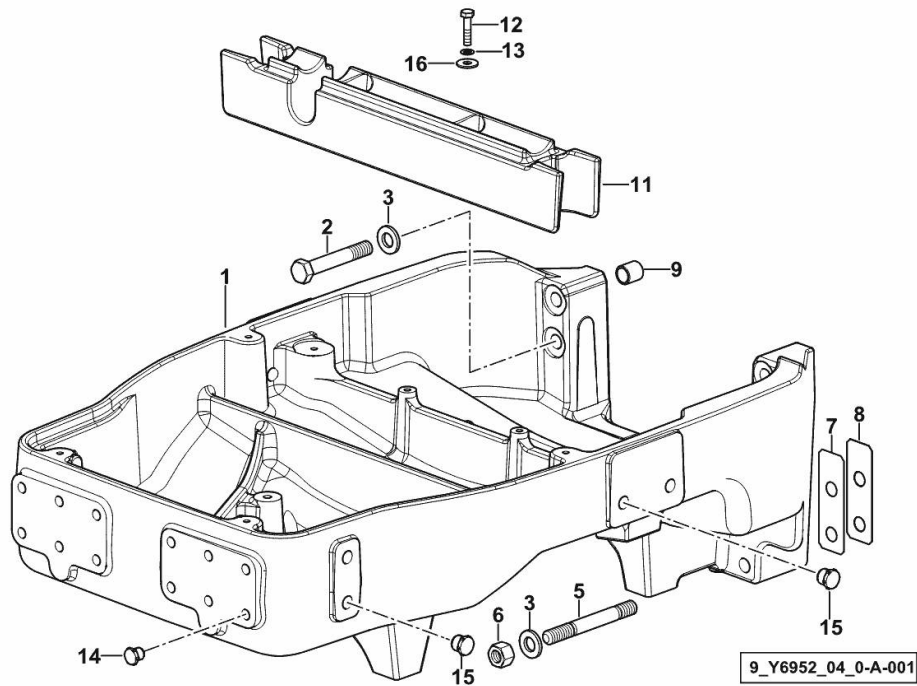
FRONT SUPPORT

Fig.	P/n	QTY	Name
------	-----	-----	------

Notes:

[XM.K 100 T4i -> ZKDY470200TH10001]

1	0.018.9333.0/10	1	front support
2	2.0113.629.2	4	screw m 16 p.2x100
3	2.1475.206.7	8	washer 17x32
5	2.0443.426.7	4	stud bolt m 16 p.1.5x110
6	2.1012.309.7	4	nut m 16 p.1.5
7	0.019.0152.0	2	shim mm 0.1
8	0.019.0154.0	6	shim mm 0.2
9	2.2680.047.0	2	ring 17x22x23
11	0.019.0178.2	1	gasket
12	2.0112.213.2	2	screw m 8 p.1.25 x 35
13	2.1470.004.2	2	lock washer 8
14	2.3199.360.0	12	plug m 14 p.2
15	2.3199.361.0	8	plug m 18 p.2.5
16	2.1312.004.2	2	washer 8x24x2



Thank you so much for reading.
Please click the “Buy Now!”
button below to download the
complete manual.



After you pay.

You can download the most
perfect and complete manual in
the world immediately.

Our support email:

ebooklibonline@outlook.com