

OIL COOLER PIPE

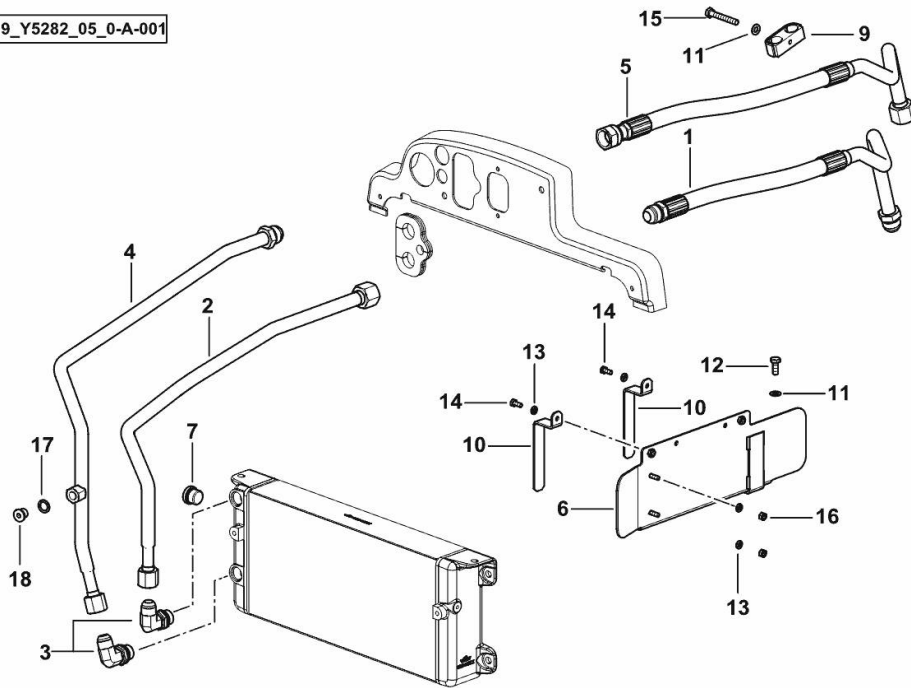
Fig.	P/n	QTY	Name
------	-----	-----	------

Notes:

[XM.K 120 T4i -> ZKDY550200TH10001]

1	0.020.7682.3	1	tube
2	0.020.7684.3	1	tube
3	2.3249.460.2	2	pipe fitting m 22 p.1.5 - 7/8
4	0.020.7686.3	1	tube
5	0.020.7685.3	1	tube
6	0.019.1193.3	1	channel
7	2.3121.008.2	1	plug
9	2.3320.321.0	1	terminal Ø 20/20
10	0.019.1197.0	2	bracket
11	2.1310.004.2	2	flat washer 8.4x17
12	2.0112.207.2	1	screw m 8 p 1.25 x 20
13	2.1310.002.2	4	flat washer 6.4x12.5
14	2.0112.004.2	2	screw m 6 p.1 x 14
15	2.0112.220.2	1	screw m 8 p.1.25x55
16	2.1011.103.2	2	nut m 6 p.1
17	2.1560.010.0	1	gasket 14.2 x 20
18	2.3120.009.4	1	plug m 14 p.1.5

9_Y5282_05_0-A-001



GEARBOX OIL HEAT EXCHANGER SYSTEM

9_Y5682_02_0-A-001

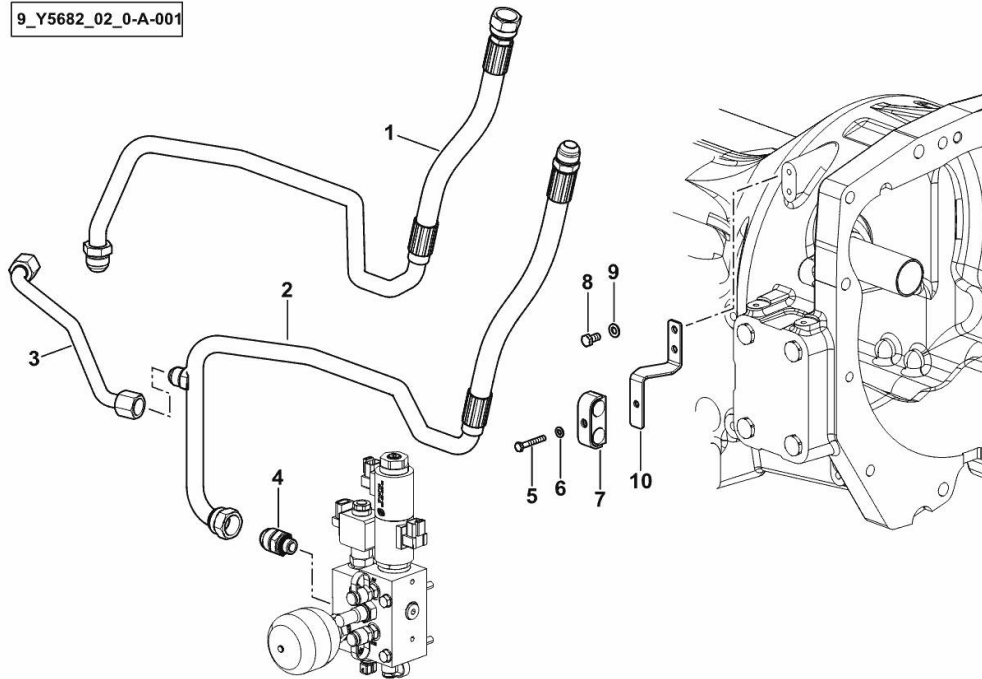


Fig.	P/n	QTY	Name
------	-----	-----	------

Notes:

[XM.K 120 T4i -> ZKDY550200TH10001]

1	0.020.7545.3	1	tube
2	0.020.7556.3	1	tube
3	0.020.8613.3	1	tube
4	2.3249.148.2	1	pipe fitting m 18 - 1/16" JIC
5	2.0112.015.2	1	screw m 6 p.1x40
6	2.1310.002.2	1	flat washer 6.4x12.5
7	2.3320.321.0	1	terminal Ø 20/20
8	2.0112.205.2	2	screw m 8 p.1.25 x 16
9	2.1310.004.2	2	flat washer 8.4x17
10	0.020.7558.3	1	bracket

XM.K 120 T4i -> ZKDY550200TH10001

Section: H0 - HYDRAULIC AND PNEUMATIC SYSTEM]

Ref: H0.01.4 (1)

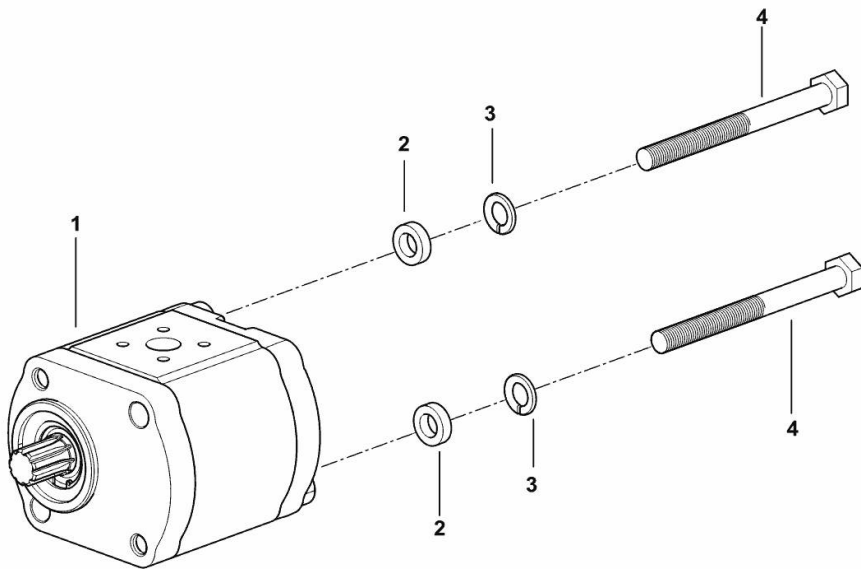
HYDRAULIC PUMP 14 cc dx/rh/re

Fig.	P/n	QTY	Name
------	-----	-----	------

Notes:

[XM.K 120 T4i -> ZKDY550200TH10001]

1	2.4539.480.0/10	1	hydraulic pump 14 cc dx/rh/re - BOSCH ☞ 2.4539.480.0/10
2	2.1549.321.0	2	spacer 10.5X18X5
3	2.1474.010.2	2	washer 10
4	2.0112.331.2	2	screw m 10 p.1.5x110



9_R8982_01_0-A-001

XM.K 120 T4i -> ZKDY550200TH10001

Section: H0 - HYDRAULIC AND PNEUMATIC SYSTEM|

Ref: H0.01.5 (2)

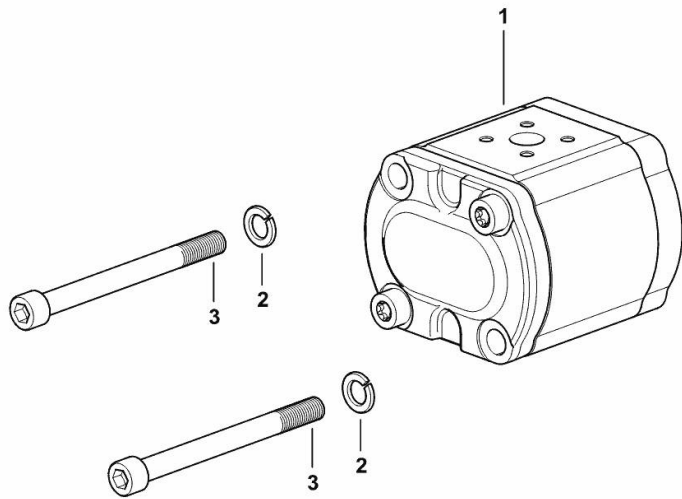
HYDRAULIC PUMP 16 cc - sx/lh/li

Fig.	P/n	QTY	Name
------	-----	-----	------

Notes:

[XM.K 120 T4i -> ZKDY550200TH10001]

1	2.4539.310.0/10	1	hydraulic pump 16cc sx/lh/li - BOSCH ☞ 2.4539.310.0/10
2	2.1474.010.2	2	washer 10
3	2.0312.327.2	2	screw m 10 p.1.5x110



9_F0282_02_0-A-002

XM.K 120 T4i -> ZKDY550200TH10001

Section: H0 - HYDRAULIC AND PNEUMATIC SYSTEM]

Ref: H0.01.6 (1)

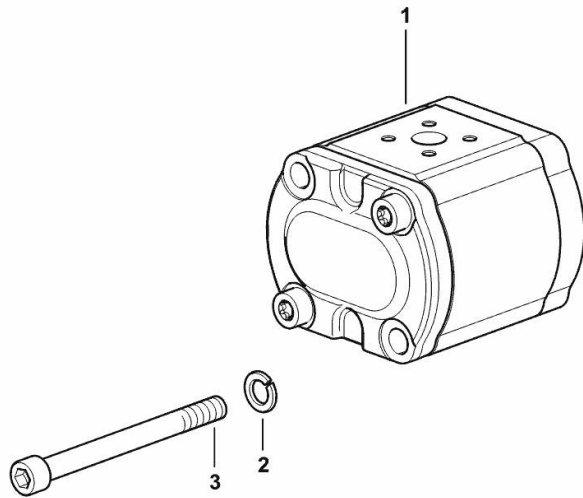
HYDRAULIC PUMP 22.5 cc - dx/rh/re

Fig.	P/n	QTY	Name
------	-----	-----	------

Notes:

[XM.K 120 T4i -> ZKDY550200TH10001]

1	2.4539.620.0/10	1	hydraulic pump 22.5 cc dx/rh/re - BOSCH - ☞ 2.4539.620.0/10
2	2.1480.015.2	2	washer 10
3	2.0169.019.2	2	screw m 10x135



9_21082_01_0-A-001

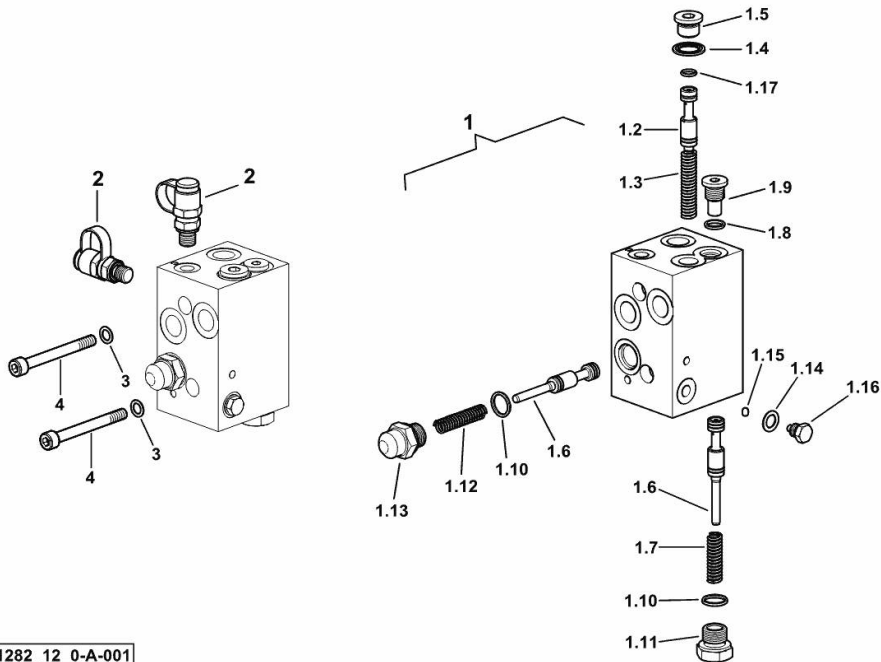
REDUCE AND OLD VALVE

Fig.	P/n	QTY	Name
------	-----	-----	------

Notes:

[XM.K 120 T4i -> ZKDY550200TH10001]

1	0.015.0001.4/10	1	valve
1.2	0.015.0236.0	1	slider
1.3	2.4019.431.1/30	1	spring 6.9x11.3x2.2x64
1.4	2.1561.108.0	1	oil seal 16
1.5	2.3120.010.4	1	plug m 16 p.1.5
1.6	0.015.0028.0	2	slider
1.7	2.4019.770.1	1	spring
1.8	2.1539.250.0	1	ring 11.3x2.2
1.9	2.3139.021.2	1	plug m 14
1.10	2.1539.251.0	2	ring 15.3x2.2
1.11	2.3199.331.2	1	plug m 18
1.12	2.4019.428.1	1	spring 10.4x7.2x1.6
1.13	2.3199.330.2	1	plug m 18
1.14	2.1560.006.0	1	gasket 10.2 x 16
1.15	2.2810.002.0	1	ball mm 6.350
1.16	2.3199.252.2	1	plug m 10 p.1.5
1.17	2.1531.016.0	1	ring 8.74 x 1.78
2	2.3729.696.0	2	socket
3	2.1480.014.2	2	washer 8
4	2.0312.221.2	2	screw m 8 p.1.25x75



9_H1282_12_0-A-001

XM.K 120 T4i -> ZKDY550200TH10001

Section: H0 - HYDRAULIC AND PNEUMATIC SYSTEM]

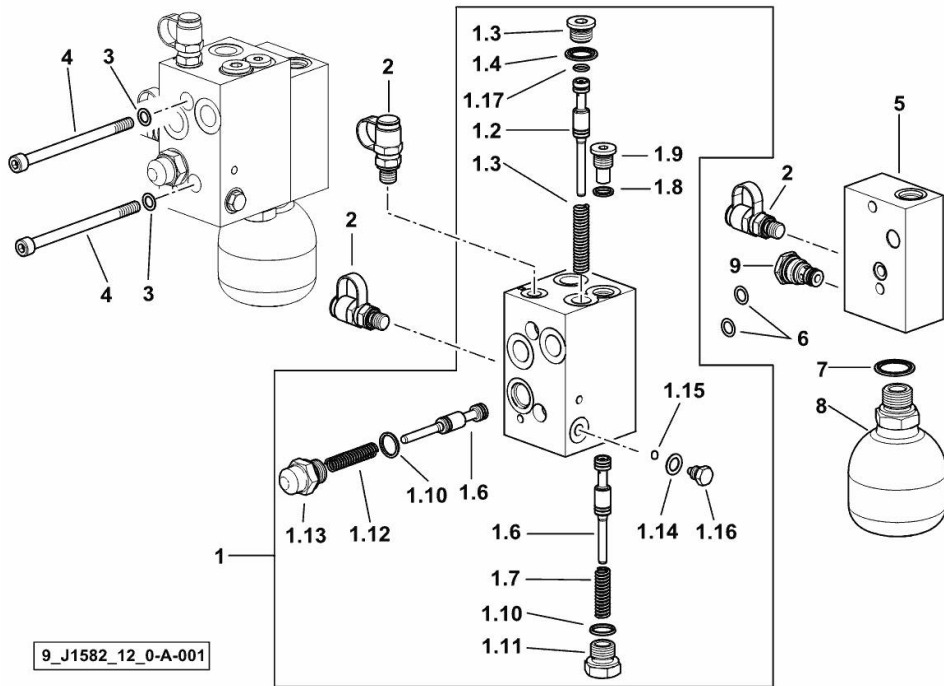
Ref: H0.01.8 (1)

PRESSURE CONTROL VALVE AND HOLDING VALVE

Fig.	P/n	QTY	Name
------	-----	-----	------

Notes:

[XM.K 120 T4i -> ZKDY550200TH10001]



1	0.015.0001.4/10	1	valve
1.2	0.015.0236.0	1	slider
1.3	2.4019.431.1/30	1	spring 6.9x11.3x2.2x64
1.4	2.1561.108.0	1	oil seal 16
1.6	0.015.0028.0	2	slider
1.7	2.4019.770.1	1	spring
1.8	2.1539.250.0	1	ring 11.3x2.2
1.9	2.3139.021.2	1	plug m 14
1.10	2.1539.251.0	2	ring 15.3x2.2
1.11	2.3199.331.2	1	plug m 18
1.12	2.4019.428.1	1	spring 10.4x7.2x1.6
1.13	2.3199.330.2	1	plug m 18
1.14	2.1560.006.0	1	gasket 10.2 x 16
1.15	2.2810.002.0	1	ball mm 6.350
1.16	2.3199.252.2	1	plug m 10 p.1.5
1.17	2.1531.016.0	1	ring 8.74 x 1.78
2	2.3729.696.0	3	socket
3	2.1480.014.2	2	washer 8
4	2.0319.025.2	2	screw
5	0.015.6629.0/10	1	small block
6	2.1531.025.0	2	oil seal 10.82x1.78
7	2.1561.112.0	1	gasket Ø 22 -B-
8	0.013.8759.0/10	1	accumulator lt 0.16
9	2.3729.691.0	1	valve

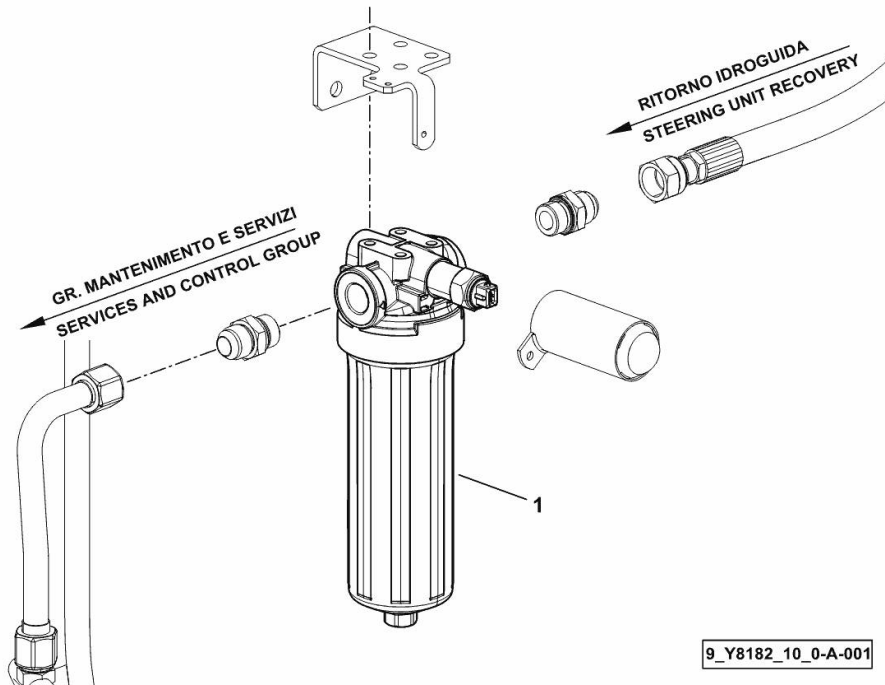
OIL PRESSURE LINE FILTER

Fig.	P/n	QTY	Name
------	-----	-----	------

Notes:

[XM.K 120 T4i -> ZKDY550200TH10001]

1	2.4419.813.0	1	oil filter 9" ☞ 2.4419.813.0
---	--------------	---	---------------------------------



XM.K 120 T4i -> ZKDY550200TH10001

Section: H0 - HYDRAULIC AND PNEUMATIC SYSTEM]

Ref: H0.01.10 (1)

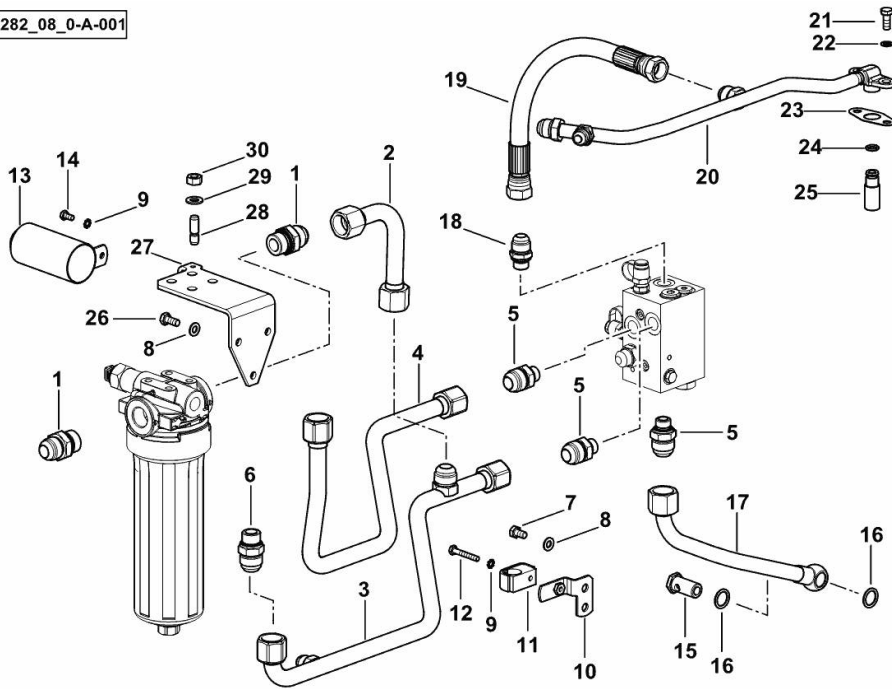
PRESSURE REGULATION SYSTEM

Fig.	P/n	QTY	Name
------	-----	-----	------

Notes:

- FOR TYPES WITH HYDRAULIC PARK BRAKE [XM.K 120 T4i -> ZKDY550200TH10001]

9_Y5282_08_0-A-001



1	2.3249.100.2	2	pipe fitting M/M 1-16JIC-G3/4
2	0.020.4687.3	1	tube
3	0.015.6635.3/10	1	tube
4	0.015.6637.3	1	tube
5	2.3249.148.2	3	pipe fitting m 18 - 1/16" JIC
6	2.3249.158.2	1	pipe fitting
7	2.0112.204.2	2	screw m 8 p.1.25x14
8	2.1310.004.2	5	flat washer 8.4x17
9	2.1470.002.2	1	lock washer 6
10	0.015.2985.3	1	bracket
11	2.3320.111.0	1	terminal Ø 20
12	2.0112.015.2	1	screw m 6 p.1x40
13	0.019.4482.2	1	tube
14	2.0112.003.2	1	screw m 6 p.1 x 12
15	2.3339.295.2/10	1	pipe union m 18 p.1.5 x 35
16	2.1560.014.0	2	washer 18.2 x 24
17	0.015.6636.3	1	tube
18	2.3249.141.2	1	pipe fitting 7/8 JIC-M18
19	0.015.0404.3	1	tube
20	0.020.8688.3	1	tube
21	2.0112.207.2	2	screw m 8 p 1.25 x 20
22	2.1560.004.0	2	copper gasket 8.2 x 14
23	0.052.1558.0/10	1	gasket
24	2.1531.024.0	1	oil seal 10.77x2.62
25	0.008.3750.0	1	tube
26	2.0112.206.2	3	screw m 8 p.1.25 x 18
27	0.020.4815.0/10	1	bracket
28	2.0432.153.7	4	stud bolt m 10 p.1.5 / p.1.25 x 20
29	2.1310.006.2	4	flat washer 10.5x21
30	2.1011.421.2	4	nut m 10 p.1.25

XM.K 120 T4i -> ZKDY550200TH10001

Section: H0 - HYDRAULIC AND PNEUMATIC SYSTEM]

Ref: H0.01.11 (1)

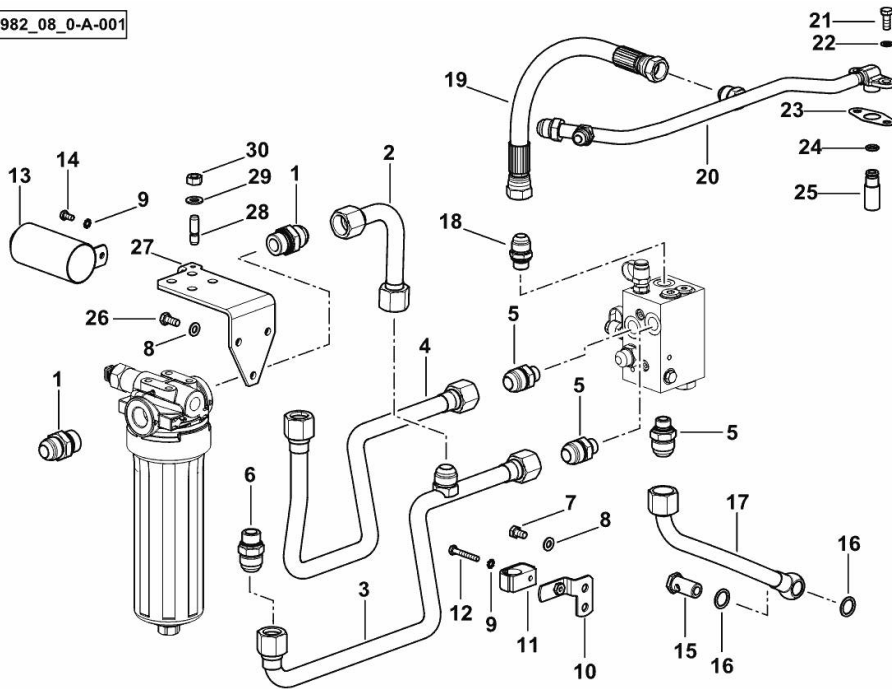
PRESSURE REGULATION SYSTEM

Fig.	P/n	QTY	Name
------	-----	-----	------

Notes:

[XM.K 120 T4i -> ZKDY550200TH10001]

9_Y4982_08_0-A-001



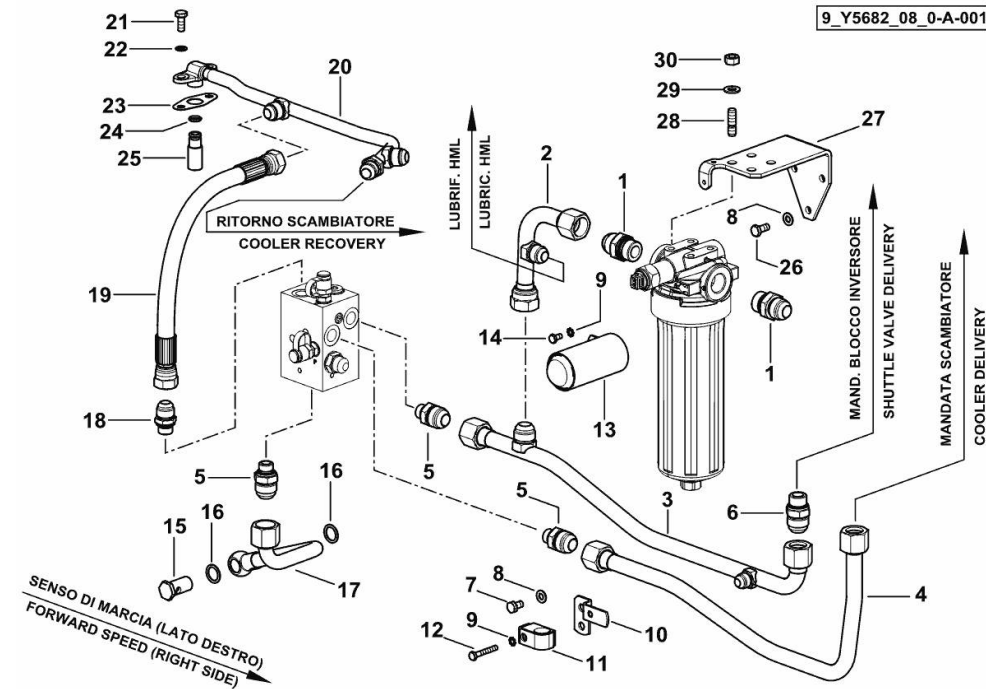
1	2.3249.100.2	2	pipe fitting M/M 1-16JIC-G3/4
2	0.020.4687.3	1	tube
3	0.015.1363.3	1	tube
4	0.015.1365.3	1	tube
5	2.3249.148.2	3	pipe fitting m 18 - 1/16" JIC
6	2.3249.158.2	1	pipe fitting
7	2.0112.204.2	2	screw m 8 p.1.25x14
8	2.1310.004.2	5	flat washer 8.4x17
9	2.1470.002.2	1	lock washer 6
10	0.015.2985.3	1	bracket
11	2.3320.111.0	1	terminal Ø 20
12	2.0112.015.2	1	screw m 6 p.1x40
13	0.019.4482.2	1	tube
14	2.0112.003.2	1	screw m 6 p.1 x 12
15	2.3339.295.2/10	1	pipe union m 18 p.1.5 x 35
16	2.1560.014.0	2	washer 18.2 x 24
17	0.015.0405.3	1	tube
18	2.3249.141.2	1	pipe fitting 7/8 JIC-M18
19	0.015.0404.3	1	tube
20	0.020.8688.3	1	tube
21	2.0112.207.2	2	screw m 8 p 1.25 x 20
22	2.1560.004.0	2	copper gasket 8.2 x 14
23	0.052.1558.0/10	1	gasket
24	2.1531.024.0	1	oil seal 10.77x2.62
25	0.008.3750.0	1	tube
26	2.0112.206.2	3	screw m 8 p.1.25 x 18
27	0.020.4815.0/10	1	bracket
28	2.0432.153.7	4	stud bolt m 10 p.1.5 / p.1.25 x 20
29	2.1310.006.2	4	flat washer 10.5x21
30	2.1011.421.2	4	nut m 10 p.1.25

PRESSURE REGULATION SYSTEM H-M-L

Fig.	P/n	QTY	Name
------	-----	-----	------

Notes:

[XM.K 120 T4i -> ZKDY550200TH10001]



1	2.3249.100.2	2	pipe fitting M/M 1-16JIC-G3/4
2	0.020.8193.3	1	tube
3	0.015.6635.3/10	1	tube
4	0.015.6637.3	1	tube
5	2.3249.148.2	3	pipe fitting m 18 - 1/16" JIC
6	2.3249.158.2	1	pipe fitting
7	2.0112.204.2	2	screw m 8 p.1.25x14
8	2.1310.004.2	5	flat washer 8.4x17
9	2.1470.002.2	1	lock washer 6
10	0.015.2985.3	1	bracket
11	2.3320.311.0	1	collar Ø 12/12
12	2.0112.015.2	1	screw m 6 p.1x40
13	0.019.4482.2	1	tube
14	2.0112.003.2	1	screw m 6 p.1 x 12
15	2.3339.295.2/10	1	pipe union m 18 p.1.5 x 35
16	2.1560.014.0	2	washer 18.2 x 24
17	0.015.6636.3	1	tube
18	2.3249.141.2	1	pipe fitting 7/8 JIC-M18
19	0.015.0404.3	1	tube
20	0.020.8689.3/10	1	tube
21	2.0112.207.2	2	screw m 8 p 1.25 x 20
22	2.1560.004.0	2	copper gasket 8.2 x 14
23	0.052.1558.0/10	1	gasket
24	2.1531.024.0	1	oil seal 10.77x2.62
25	0.008.3750.0	1	tube
26	2.0112.206.2	3	screw m 8 p.1.25 x 18
27	0.020.4815.0/10	1	bracket
28	2.0432.153.7	4	stud bolt m 10 p.1.5 / p.1.25 x 20
29	2.1310.006.2	4	flat washer 10.5x21
30	2.1011.421.2	4	nut m 10 p.1.25

XM.K 120 T4i -> ZKDY550200TH10001

Section: H0 - HYDRAULIC AND PNEUMATIC SYSTEM]

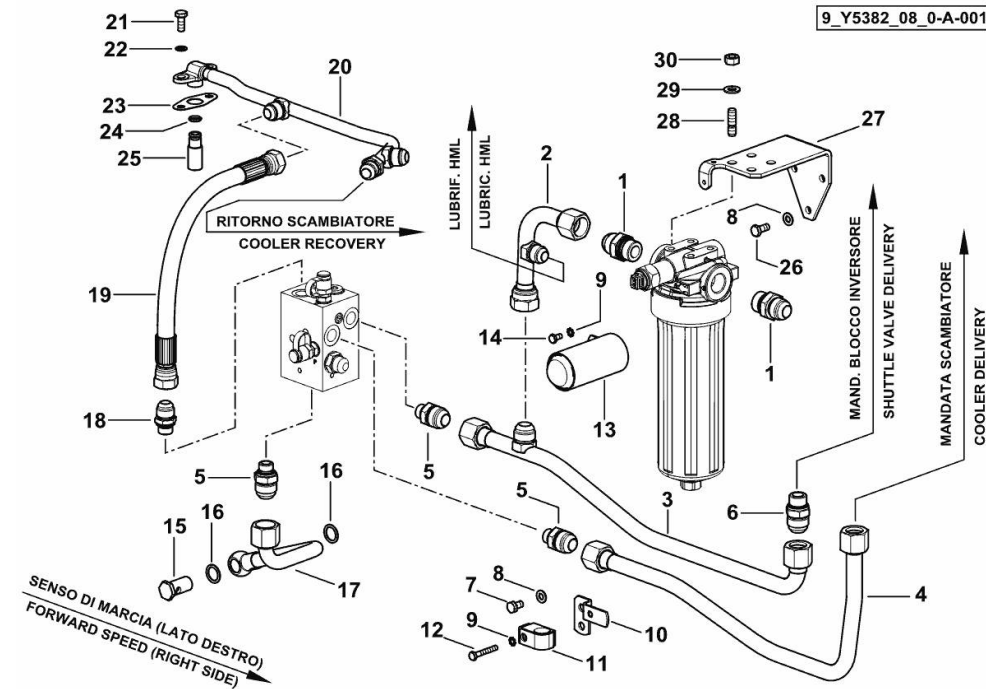
Ref: H0.01.15 (1)

PRESSURE REGULATION SYSTEM H-M-L

Fig.	P/n	QTY	Name
------	-----	-----	------

Notes:

- FOR TYPES WITH HYDRAULIC PARK BRAKE [XM.K 120 T4i -> ZKDY550200TH10001]



1	2.3249.100.2	2	pipe fitting M/M 1-16JIC-G3/4
2	0.020.8193.3	1	tube
3	0.015.1363.3	1	tube
4	0.015.1365.3	1	tube
5	2.3249.148.2	3	pipe fitting m 18 - 1/16" JIC
6	2.3249.158.2	1	pipe fitting
7	2.0112.204.2	2	screw m 8 p.1.25x14
8	2.1310.004.2	5	flat washer 8.4x17
9	2.1470.002.2	1	lock washer 6
10	0.015.2985.3	1	bracket
11	2.3320.311.0	1	collar Ø 12/12
12	2.0112.015.2	1	screw m 6 p.1x40
13	0.019.4482.2	1	tube
14	2.0112.003.2	1	screw m 6 p.1 x 12
15	2.3339.295.2/10	1	pipe union m 18 p.1.5 x 35
16	2.1560.014.0	2	washer 18.2 x 24
17	0.015.0405.3	1	tube
18	2.3249.141.2	1	pipe fitting 7/8 JIC-M18
19	0.015.0404.3	1	tube
20	0.020.8689.3/10	1	tube
21	2.0112.207.2	2	screw m 8 p 1.25 x 20
22	2.1560.004.0	2	copper gasket 8.2 x 14
23	0.052.1558.0/10	1	gasket
24	2.1531.024.0	1	oil seal 10.77x2.62
25	0.008.3750.0	1	tube
26	2.0112.206.2	3	screw m 8 p.1.25 x 18
27	0.020.4815.0/10	1	bracket
28	2.0432.153.7	4	stud bolt m 10 p.1.5 / p.1.25 x 20
29	2.1310.006.2	4	flat washer 10.5x21
30	2.1011.421.2	4	nut m 10 p.1.25

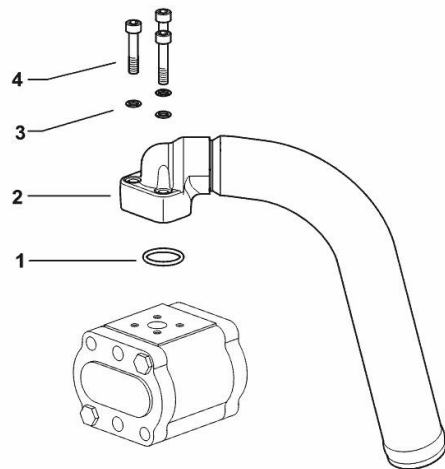
PUMP FILTER SUCTION

Fig.	P/n	QTY	Name
------	-----	-----	------

Notes:

[XM.K 120 T4i -> ZKDY550200TH10001]

1	2.1531.058.0	1	oil seal 22.22x2.62
2	0.015.1262.3	1	tube
3	2.1480.012.2	3	washer 6, d128
4	2.0312.110.2	3	screw



9_H1582_01_0-A-001

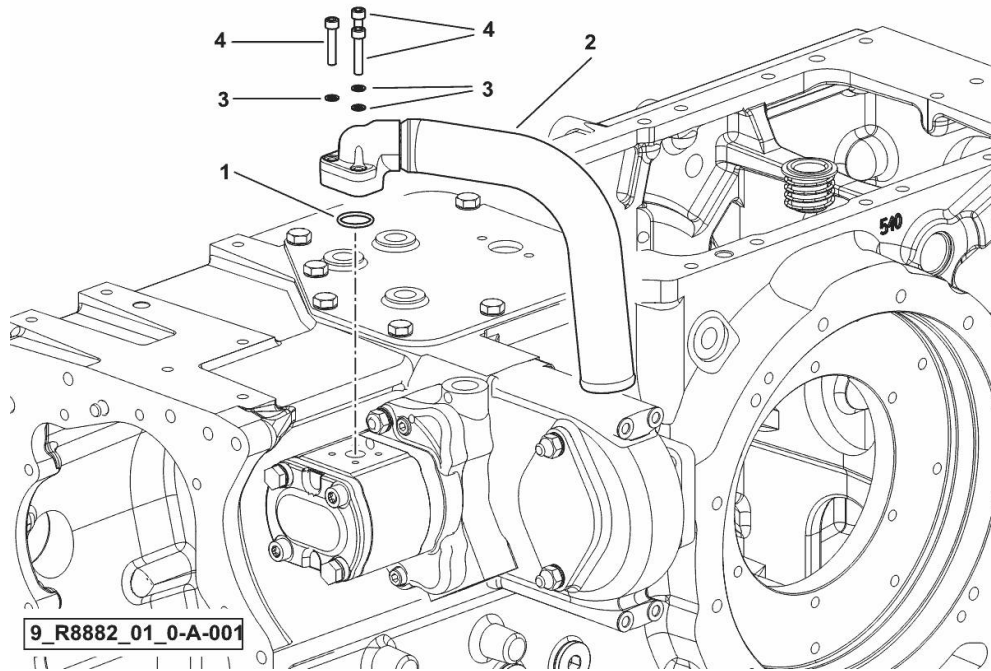
PUMP FILTER SUCTION

Fig.	P/n	QTY	Name
------	-----	-----	------

Notes:

- 60 LT ECO [XM.K 120 T4i -> ZKDY550200TH10001]

1	2.1531.058.0	1	oil seal 22.22x2.62
2	0.017.5930.3	1	tube
3	2.1480.012.2	3	washer 6, d128
4	2.0312.110.2	3	screw



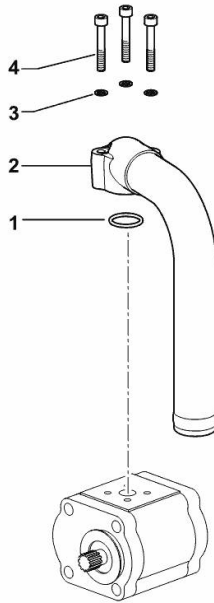
PUMP FILTER SUCTION

Fig.	P/n	QTY	Name
------	-----	-----	------

Notes:

[XM.K 120 T4i -> ZKDY550200TH10001]

1	2.1531.058.0	1	oil seal 22.22x2.62
2	0.015.1265.3	1	tube
3	2.1480.012.2	3	washer 6, d128
4	2.0312.114.2	3	screw m 6 p.1x40



9_H1582_02_0-A-001

Thank you so much for reading.
Please click the “Buy Now!”
button below to download the
complete manual.



After you pay.

You can download the most
perfect and complete manual in
the world immediately.

Our support email:

ebooklibonline@outlook.com