

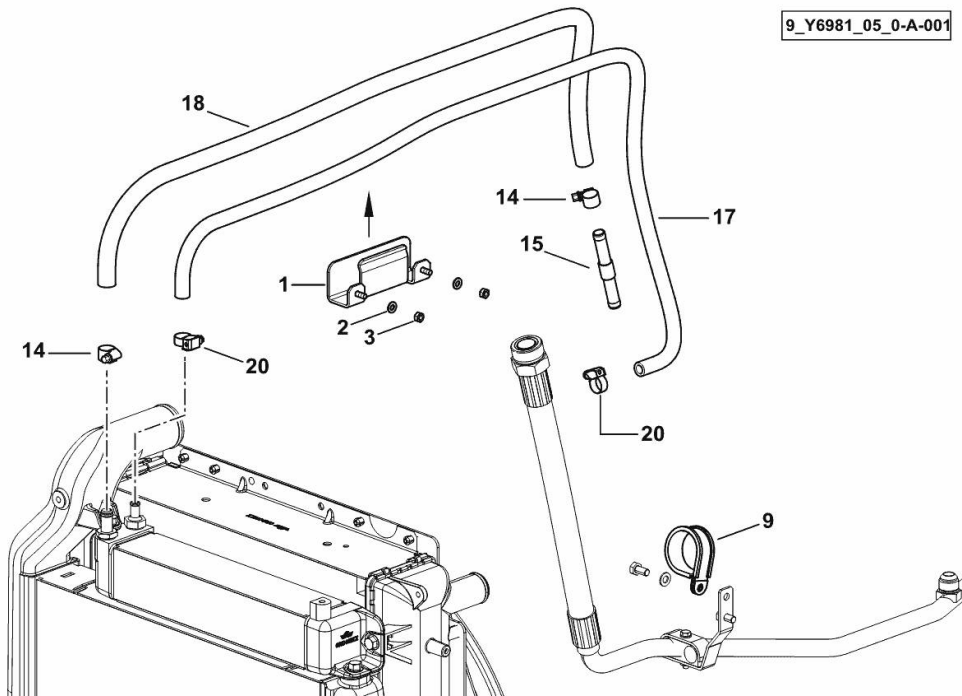
**FUEL COOLER PIPES**

Fig.	P/n	QTY	Name
------	-----	-----	------

**Notes:**

[XM.K 90 T4i -> ZKDY350200TH10001]

1	0.019.1931.3	1	channel
2	2.1310.002.2	2	flat washer 6.4x12.5
3	2.1011.103.2	2	nut m 6 p.1
9	2.6839.073.2	1	clamp 45
14	2.6851.001.0	2	clamp Ø 16/25
15	0.015.8420.0	1	pipe fitting
17	0.012.6449.0	1.32	tube
18	0.012.6450.0	1.2	tube Ø mm 13/20
20	2.6851.019.0	2	clamp Ø 13/20



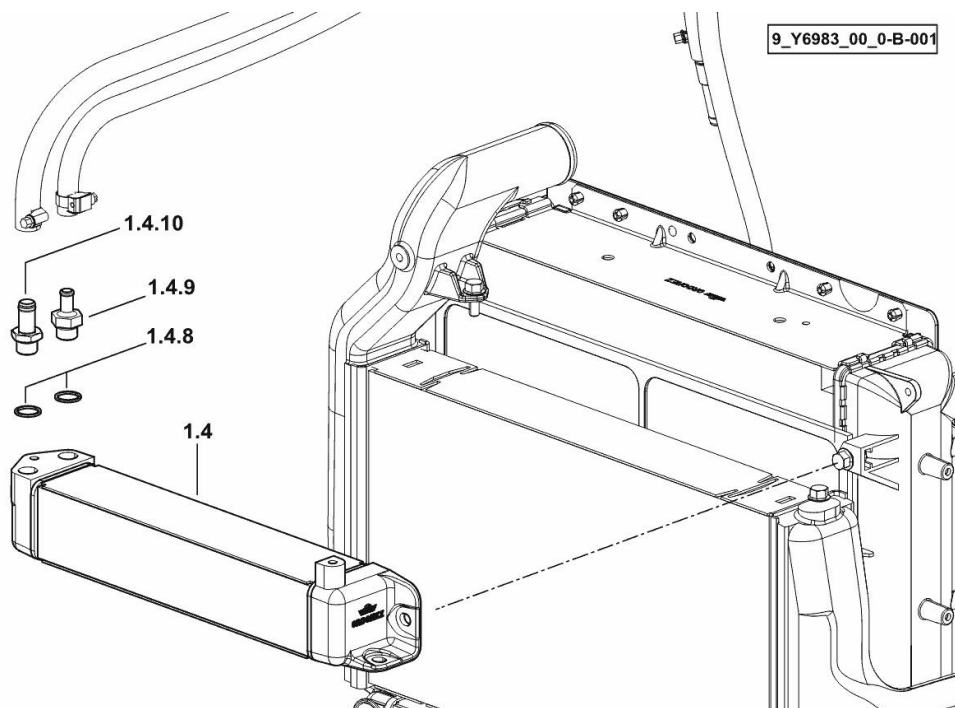
**FUEL COOLER**

Fig.	P/n	QTY	Name
------	-----	-----	------

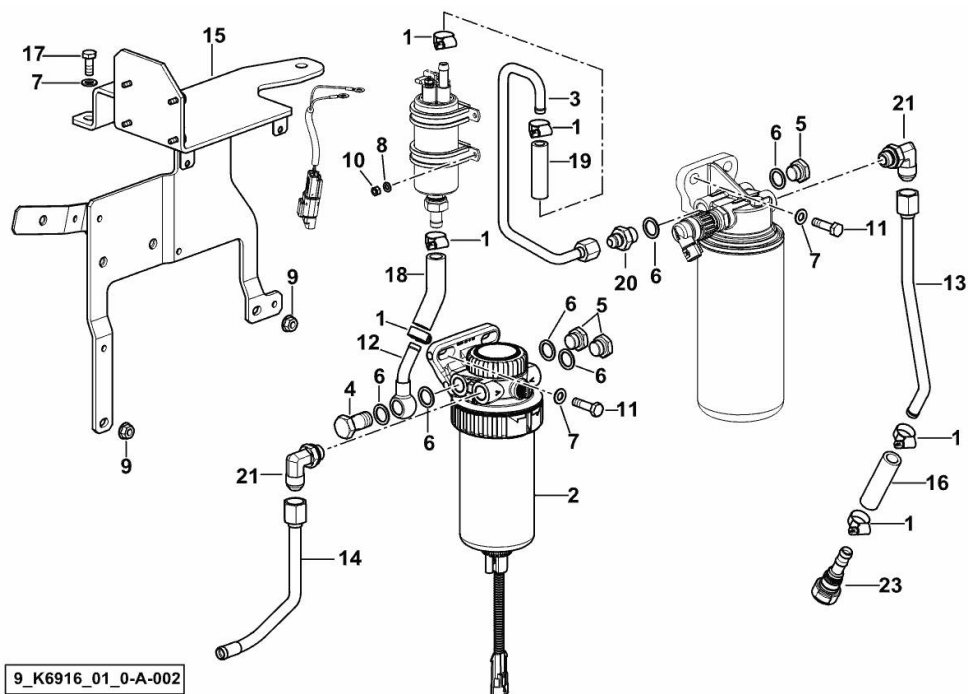
**Notes:**

[XM.K 90 T4i -> ZKDY350200TH10001]

1.4	0.018.9384.3	1	radiator
1.4.8	2.1560.053.0	2	gasket 17 x 21
1.4.9	2.3249.373.0	1	pipe fitting 3/8"
1.4.10	2.3249.085.2/10	1	pipe fitting 3/8" gas



**FUEL PRELIMINARY FILTER**



9\_K6916\_01\_0-A-002

Fig.	P/n	QTY	Name
------	-----	-----	------

**Notes:**

[XM.K 90 T4i -> ZKDY350200TH10001]

1	2.6851.019.0	6	clamp Ø 13/20
2	2.4319.316.0/10	1	precleaner ☞ 2.4319.316.0/10
3	0.020.7099.3	1	tube
4	2.3332.005.2	1	pipe fitting m 16 p.1.5
5	2.3110.404.2	3	plug m 16 p.1.5
6	2.1560.012.0	6	gasket 16.2 x 22
7	2.1310.004.2	5	flat washer 8.4x17
8	2.1310.001.2	4	flat washer 5.3 x 10
9	2.1071.004.2	2	special nut m 8
10	2.1011.102.2	4	nut m 5 p.0.7
11	2.0112.211.2	4	screw m 8 p.1.25 x 30
12	0.019.1475.3/10	1	tube
13	0.021.2676.3	1	tube
14	0.020.6903.3	1	tube
15	0.019.0960.3/10	1	bracket
16	0.012.6450.0	0.07	tube Ø mm 13/20
17	2.0112.207.2	1	screw m 8 p 1.25 x 20
18	0.012.6450.0	0.08	tube Ø mm 13/20
19	0.012.6449.0	0.06	tube
20	2.3261.007.2	1	pipe fitting m 16 p.1.5-9/16"
21	2.3264.011.2	2	pipe fitting
23	0.021.3780.0	1	connection



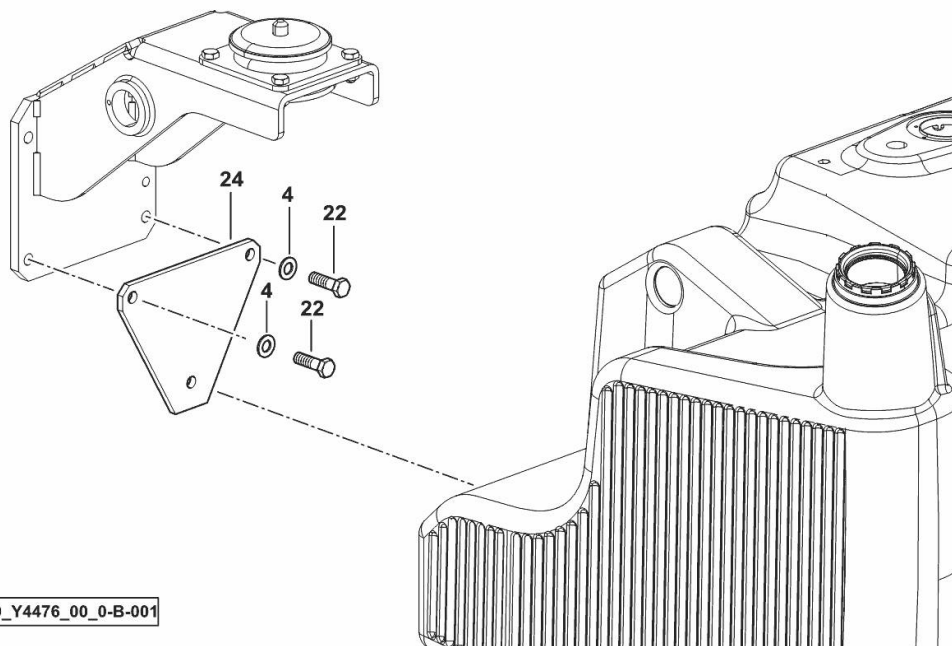
**FUEL TANK SUPPORT**

Fig.	P/n	QTY	Name
------	-----	-----	------

**Notes:**

[XM.K 90 T4i -> ZKDY350200TH10001]

4	2.1475.004.2	16	spring washer 12
22	2.0113.415.2	2	screw m 12 p.1.75 x 40
24	0.020.6919.0	1	bracket



9\_Y4476\_00\_0-B-001

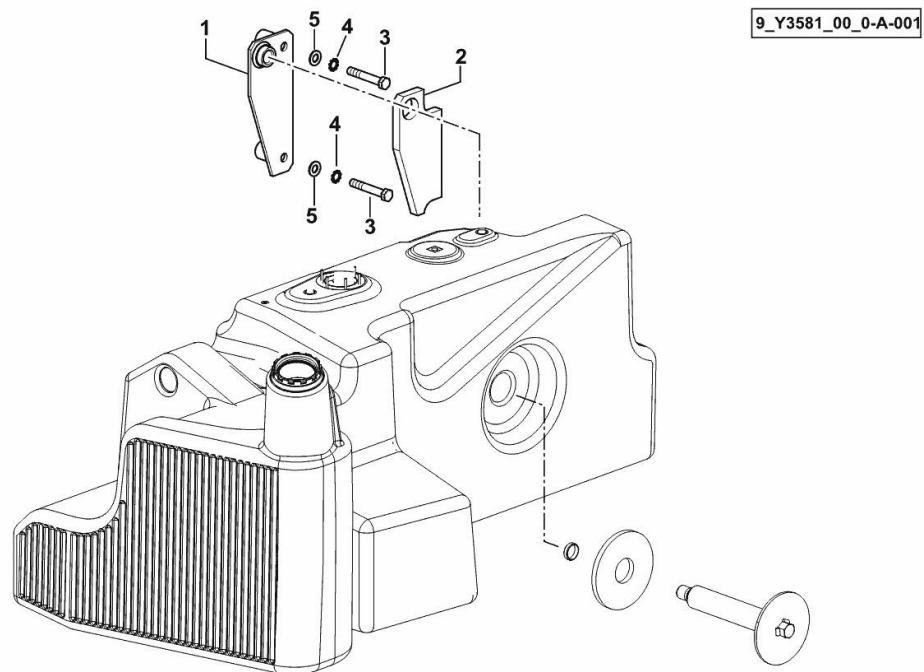
**FUEL TANK FIXING PARTS**

Fig.	P/n	QTY	Name
------	-----	-----	------

**Notes:**

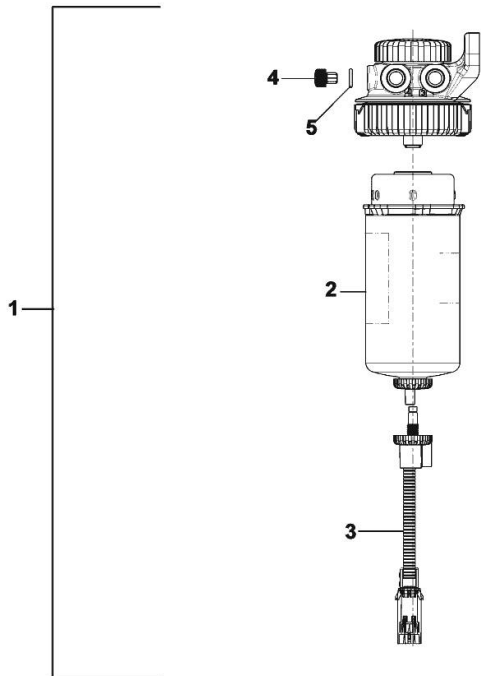
[XM.K 90 T4i -> ZKDY350200TH10001]

1	0.020.7139.2/10	1	tank support
2	0.020.7154.2	1	shim
3	2.0112.424.2	2	screw m 12 p.1.75x75
4	2.1470.007.2	2	lock washer 12
5	2.1310.007.2	2	flat washer 13 x 24



**PREFILTER**

Fig.	P/n	QTY	Name
1	2.4319.316.0/10	1	precleaner
2	0.900.2043.4	1	filter
3	0.900.2261.4	1	clogging warning ind.
4	0.900.0864.3	1	screw
5	0.900.0789.8	1	ring



2.4319.316.0\_10

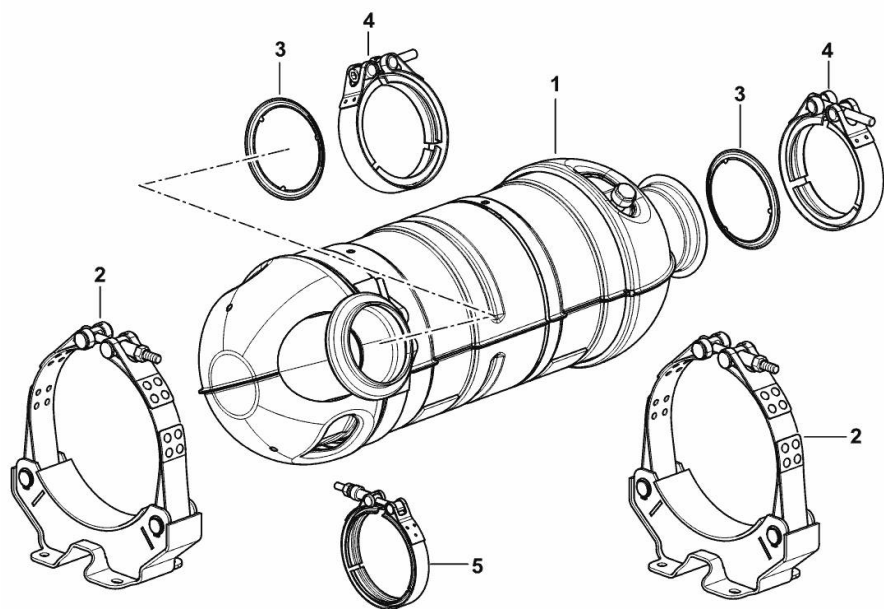
**EXHAUST SYSTEM**

Fig.	P/n	QTY	Name
------	-----	-----	------

**Notes:**

[XM.K 90 T4i -> ZKDY350200TH10001]

1	01980210	1	silencer
2	04603276	2	fascia
3	04600004	2	gasket
4	04603585	2	clamp
5	04602018	1	gasket



9\_K7119\_10\_0-A-001



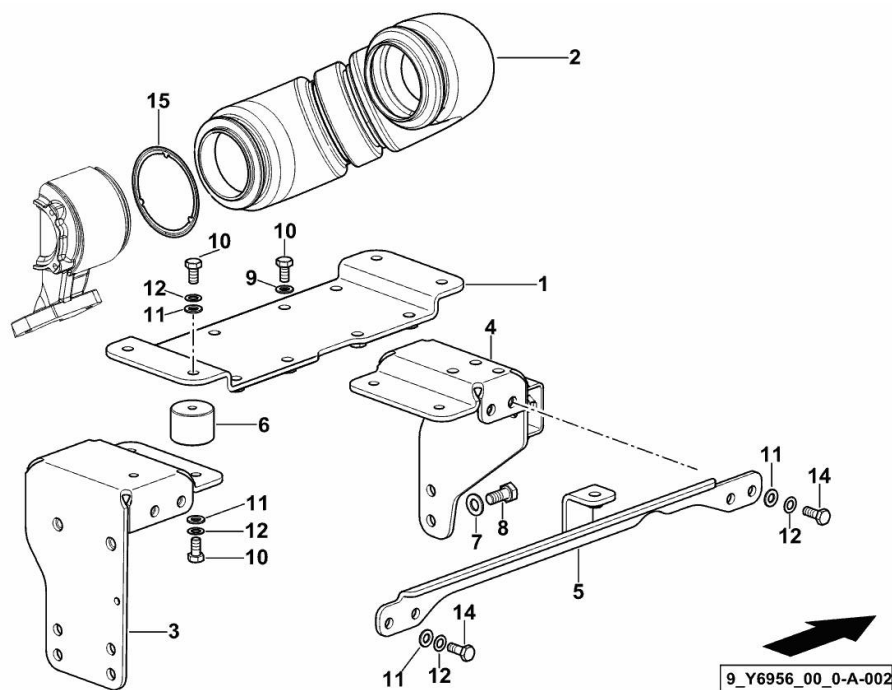
**EXHAUST SYSTEM**

Fig.	P/n	QTY	Name
------	-----	-----	------

**Notes:**

[XM.K 90 T4i -> ZKDY350200TH10001]

1	0.019.9148.3/10	1	plate
2	0.018.9834.3/10	1	tube
3	0.019.9155.3/10	1	bracket
4	0.019.9179.3/20	1	bracket
5	0.019.9149.3/10	1	bracket
6	0.021.1192.0	4	spacer
7	2.1475.003.2	2	washer 10
8	2.0112.308.2	2	screw m 10 p.1.5x22
9	2.1475.002.2	8	conical washer 8
10	2.0112.205.2	16	screw m 8 p.1.25 x 16
11	2.1310.004.2	12	flat washer 8.4x17
12	2.1470.004.2	12	lock washer 8
14	2.0112.207.2	4	screw m 8 p 1.25 x 20
15	0.019.7817.0	1	gasket

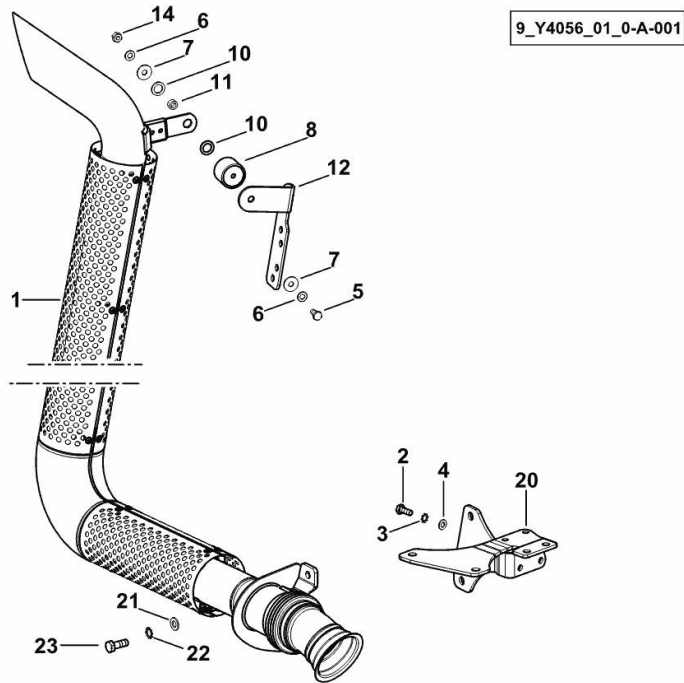


**EXHAUST PIPE**

Fig.	P/n	QTY	Name
------	-----	-----	------

**Notes:**

[XM.K 90 T4i -> ZKDY350200TH10001]



1	0.020.5482.4	1	exhaust pipe
2	2.0112.207.2	2	screw m 8 p 1.25 x 20
3	2.1470.004.2	2	lock washer 8
4	2.1310.004.2	2	flat washer 8.4x17
5	2.0112.205.2	1	screw m 8 p.1.25 x 16
6	2.1475.002.2	2	conical washer 8
7	2.1312.004.2	2	washer 8x24x2
8	0.010.1054.2/10	1	support
10	2.1549.169.0	2	spacer 14.5x22x2
11	2.1579.994.2	1	spacer 8.5x14x7
12	0.020.6701.0	1	bracket
14	2.1011.105.2	1	nut m 8 p.1.25
20	0.019.9300.3	1	bracket
21	2.1310.006.2	2	flat washer 10.5x21
22	2.1470.006.2	2	lock washer 10
23	2.0112.310.2	2	screw m 10 p.1.5x28

**HALTER**

Fig.	P/n	QTY	Name
------	-----	-----	------

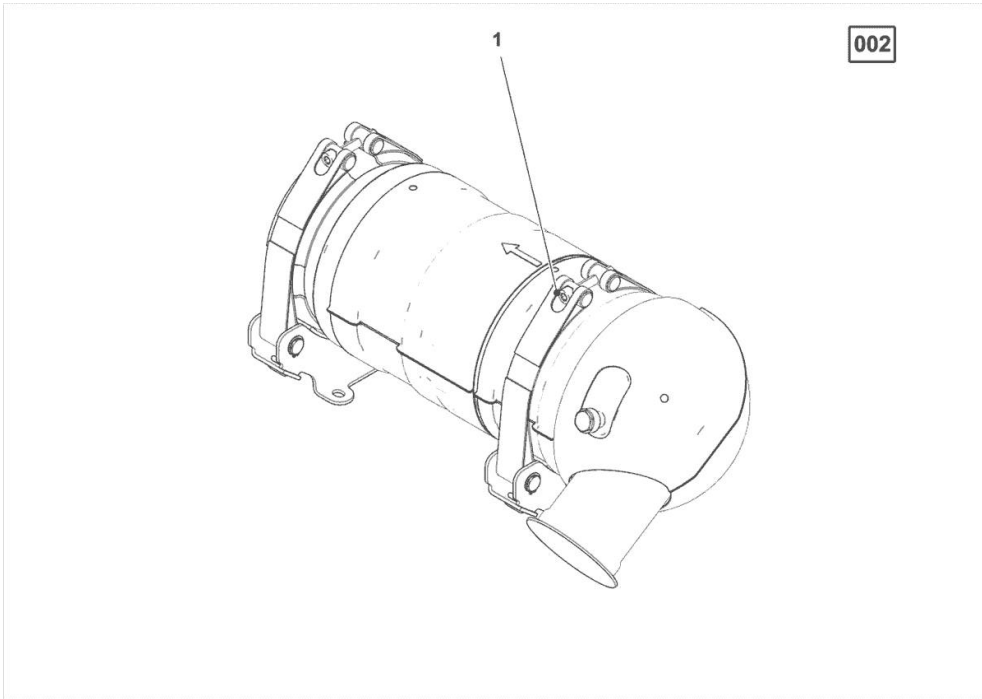
**Notes:**

[XM.K 90 T4i -> ZKDY350200TH10001]

**Engine serial number:**

11480888 11480889 11480890 11551343 11551344 11551345 11551346 11551347 11551348 11551349 11551350  
 11551351 11551352 11551353 11551354 11551355 11551356 11551357 11551358 11551359 11551360 11551361  
 11551362 11551363 11551364 11551365 11551366 11551367 11551368 11551369 11551370 11551371 11551372  
 11571793 11571794 11571795 11581816 11581817 11583386 11583387 11583388 11583389 11583390 11583391  
 11583392 11583393 11583394 11583395 11583396 11583397 11583398 11583399 11583400 11583401 11583402  
 11583403 11583404 11583405 11583406 11583407 11583408 11583409 11583410 11583411 11583412 11583413  
 11583414 11583415 11588293 11588294 11588295 11588296 11589499 11589500 11589501 11589502 11595187  
 11601234 11601235 11601236 11601237 11601238 11601239 11601240 11601241 11601242 11601243 11601244  
 11601245 11601246 11601247 11601248 11601249 11601250 11601251 11601252 11601253 11601254 11601255  
 11601256 11601257 11601258 11601259 11601260 11601261 11601262 11601263

1	04603276	2	fascia 18 Nm
---	----------	---	-----------------



Thank you so much for reading.  
Please click the “Buy Now!”  
button below to download the  
complete manual.



After you pay.

You can download the most  
perfect and complete manual in  
the world immediately.

Our support email:

[ebooklibonline@outlook.com](mailto:ebooklibonline@outlook.com)