

**FASTENINGS**

Fig.	P/n	QTY	Name
------	-----	-----	------

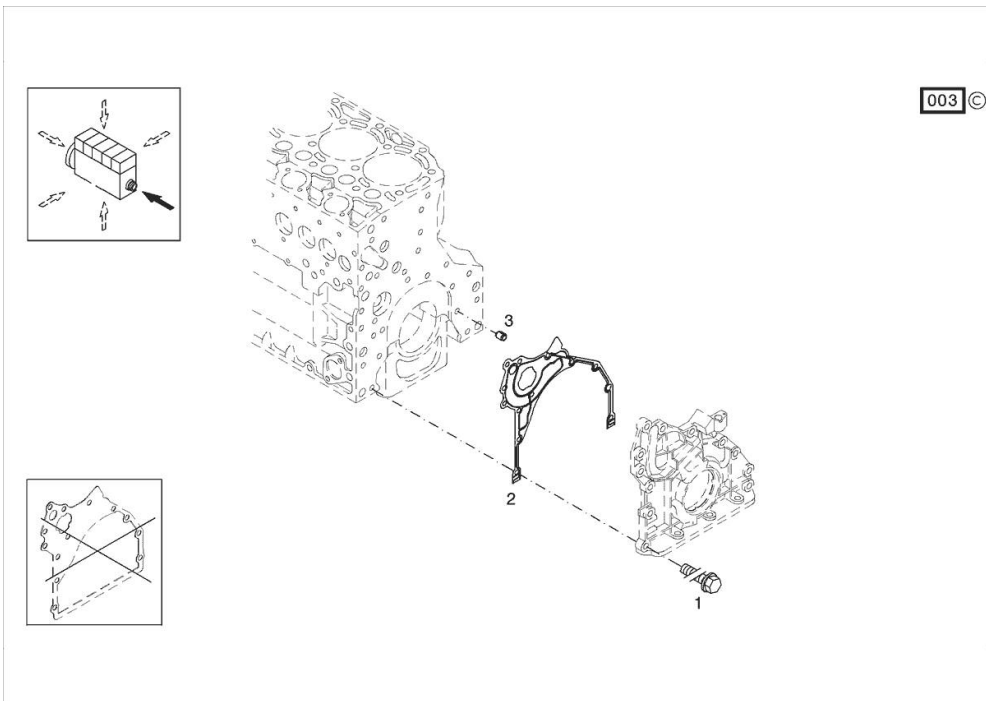
**Notes:**

[XT 110 -> 15001]

**Engine serial number:**

10869436 10888723 10959399 10968289 10970063 10986675 11006907 11007983 11011856 11024021 11048335  
 11048336 11050863 11050864 11069566 11069586 11072896 11076551 11124202 11125026 11125059 11125598  
 11140623 11140627 11140632 11141548 11155362 11155365 11157027 11173972 11181602 11213661

1	01183645	12	screw EN 1662 -F-M8X35-10.9-ZNAL-A
2	04504325	1	gasket
3	01181406	1	bushing H 2341 -B11X8-FE/ZN12C*



Section: B0 - ENGINE

**BLEEDING TUBE**

Fig.	P/n	QTY	Name
------	-----	-----	------

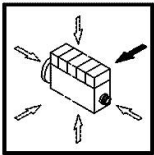
**Notes:**

[XT 110 -> 15001]

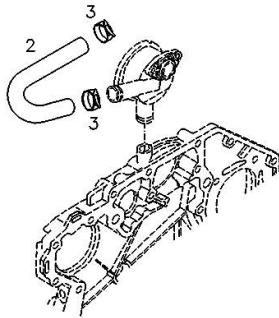
**Engine serial number:**

10869436 10888723 10959399 10968289 10970063 10986675 11006907 11007983 11011856 11024021 11048335  
 11048336 11050863 11050864 11069566 11069586 11072896 11076551 11124202 11125026 11125059 11125598  
 11140623 11140627 11140632 11141548 11155362 11155365 11157027 11173972 11181602 11213661

2	04258132	1	tube
3	01178750	2	clamp DIN 3021 -A-29X15



000 ©



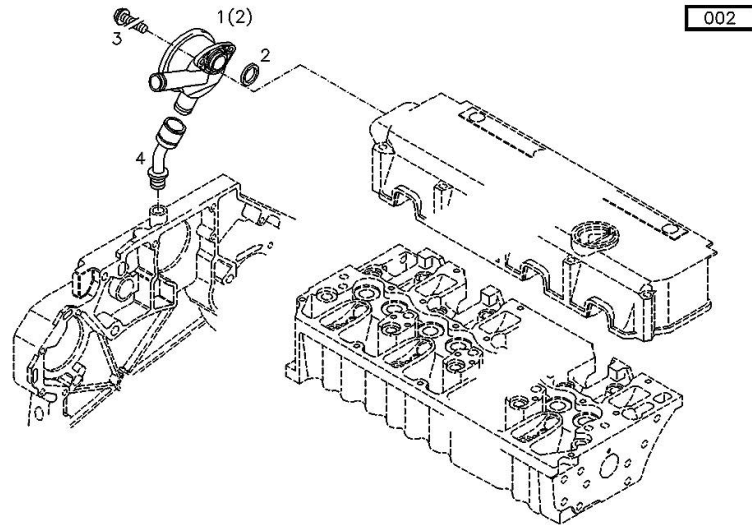
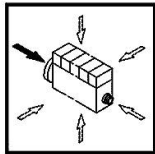
**CRANKCASE BREATHER**

Fig.	P/n	QTY	Name
------	-----	-----	------

**Notes:**  
[XT 110 -> 15001]

**Engine serial number:**

10869436 10888723 10959399 10968289 10970063 10986675 11006907 11007983 11011856 11024021 11048335  
11048336 11050863 11050864 11069566 11069586 11072896 11076551 11124202 11125026 11125059 11125598  
11140623 11140627 11140632 11141548 11155362 11155365 11157027 11173972 11181602 11213661



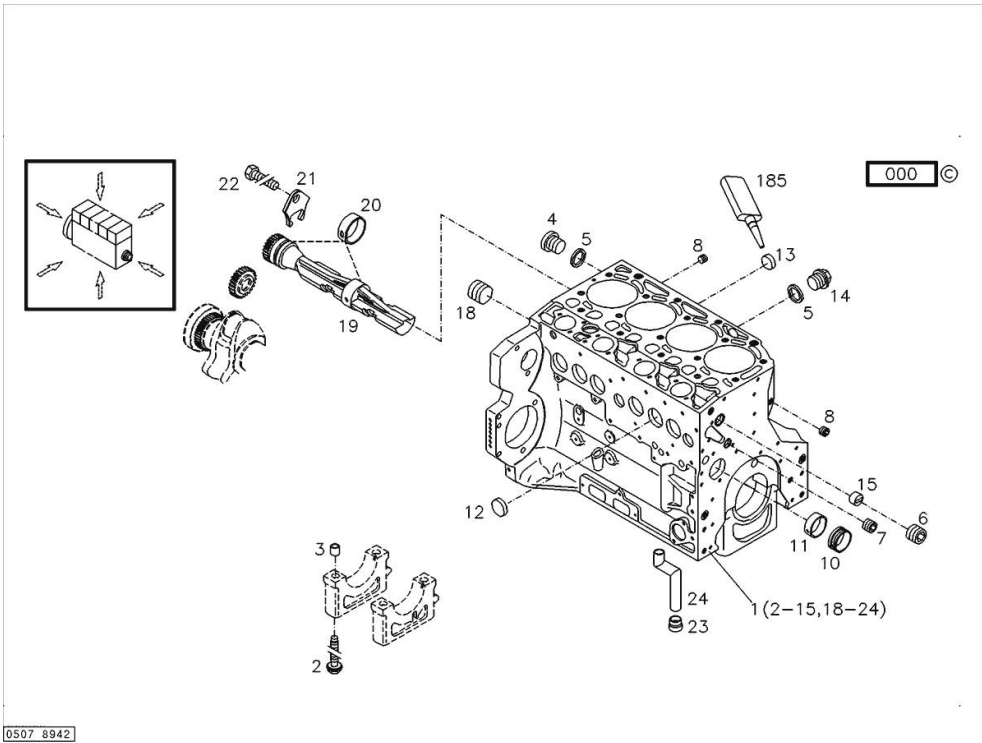
1	04203321	1	valve WITH POS.... (2)
2	04206233	1	gasket
3	01148431	2	screw - FROM THE MONTH OF ASSEMBLY SEE POS. ( B ) - UP TO THE MONTH OF ASSEMBLY ( A ) FROM THE MONTH OF ASSEMBLY A = 09.1995 B = POS. 950 ISO 4762 -M6X20-8.8-ZNAL-A
4	04207290	1	piping
5	01124654	2	washer 6,4 d433 ISO 7092 -6-140HV-A4C*
950	01181965	2	screw - UP TO MONTH OF ASSEMBLY ( A ) - FROM MONTH OF ASSEMBLY SEE POS. ( B ) A = 08.1995 B = POS. 3 EN 1662 -F-M6X20-10.9-ZNAL-A

Section: B0 - ENGINE  
**KURBELGEHAEUSE**

Fig.	P/n	QTY	Name
------	-----	-----	------

Notes:  
 [XT 110 -> 15001]

185	01319911	1	sealing compound ml. 50
1	04289939	1	crankcase MIT POS.... (2-15,18-24)
2	04254240	10	screw 50 Nm , 90° , 90°
3	04160764	10	bushing
4	01110423	1	screw 35 Nm DIN 908 -M14X1,5-ST-ZNPHRF
5	01118693	3	gasket 14x20 DIN 7603 -A14X20-CU
6	01180890	1	screw 95 Nm H 2812 -906-M30X1,5-ST-A4C-PRE80
7	01180906	1	screw H 2812 -906-M22X1,5-ST-A4C-PRE80
8	01182031	2	screw 35 Nm H 2812 -906-M14X1,5-ST-A3C-LOCTITE506
10	04251884	4	plug
11	04250086	1	ring
12	01148032	6	cover DIN 443 -A45-ZNPHR
13	01179634	4	plug H 2860 -A36-ST-FE/ZNPHR
14	01100940	2	screw 35 Nm DIN 7604 -AM14X1,5-ST-A4C
15	04202518	1	sleeve
18	04226536	1	bottom 30 Nm
19	04259301	2	shaft
20	04252834	4	bush
21	04251810	2	plug
22	01181672	2	nut H 2091 -4017-M8X16-10.9-GESCHW-MK-1.0
23	04255998	1	ring
24	04254026	1	piping



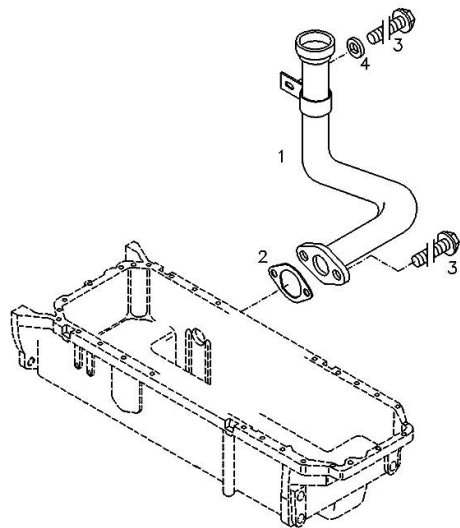
**OIL FILLER NECK**

Fig.	P/n	QTY	Name
------	-----	-----	------

**Notes:**  
 [XT 110 -> 15001]

**Engine serial number:**  
 10869436 10888723 10959399 10968289 10970063 10986675 11006907 11007983 11011856 11024021 11048335  
 11048336 11050863 11050864 11069566 11069586 11072896 11076551 11124202 11125026 11125059 11125598  
 11140623 11140627 11140632 11141548 11155362 11155365 11157027 11173972 11181602 11213661

1	04251494	1	tube
2	01178421	1	gasket DIN 71511 -35X58X1,5-DEUTZFW31
3	01181433	3	screw EN 1662 -F-M8X20-LG2,5-10.9-ZNAL-A
4	01214459	1	washer 8,5x20x5



000

**ACCESSORIES**

Fig.	P/n	QTY	Name
------	-----	-----	------

**Notes:**

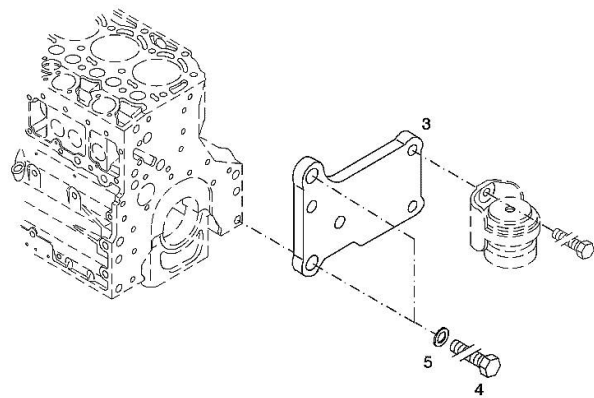
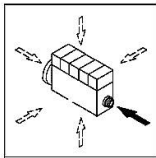
[XT 110 -> 15001]

**Engine serial number:**

10869436 10888723 10959399 10968289 10970063 10986675 11006907 11007983 11011856 11024021 11048335  
 11048336 11050863 11050864 11069566 11069586 11072896 11076551 11124202 11125026 11125059 11125598  
 11140623 11140627 11140632 11141548 11155362 11155365 11157027 11173972 11181602 11213661

3	04288659	1	support
4	01148261	2	screw ISO 4017 -M16X40-10.9-ZNAL-A
5	01181400	2	washer H 2308 -18X25X1,5-A4C

006 ©



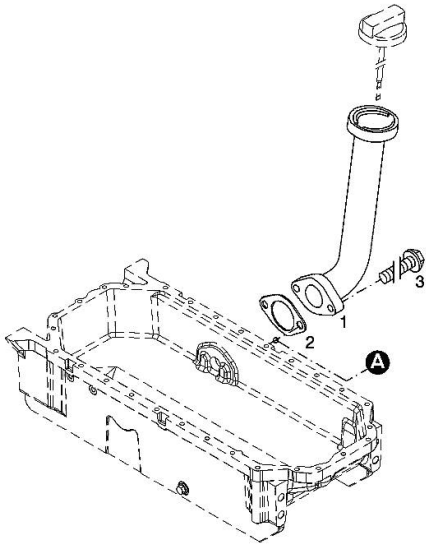
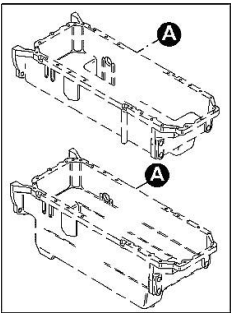
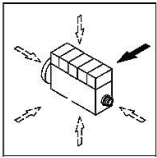
Section: B0 - ENGINE  
**OIL FILLER NECK**

Fig.	P/n	QTY	Name
------	-----	-----	------

Notes:  
 [XT 110 -> 15001]

1	04207099	1	tube
2	01178421	1	gasket
3	01181433	2	screw
			30 Nm

001 ©



**ACCESSORIES**

Fig.	P/n	QTY	Name
------	-----	-----	------

**Notes:**

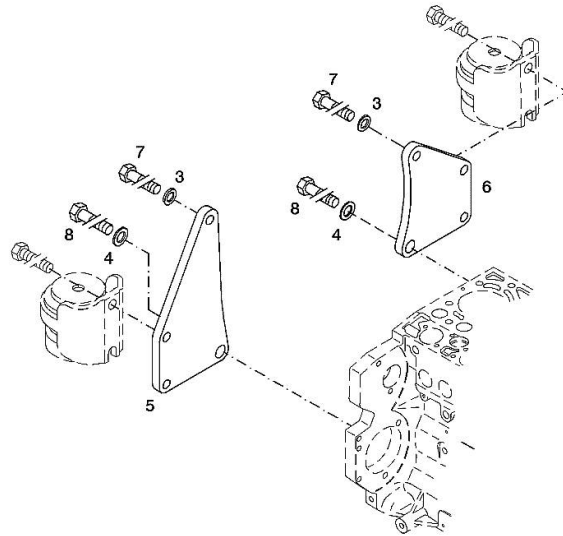
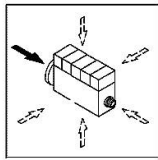
[XT 110 -> 15001]

**Engine serial number:**

10869436 10888723 10959399 10968289 10970063 10986675 11006907 11007983 11011856 11024021 11048335  
 11048336 11050863 11050864 11069566 11069586 11072896 11076551 11124202 11125026 11125059 11125598  
 11140623 11140627 11140632 11141548 11155362 11155365 11157027 11173972 11181602 11213661

003 ©

3	01182016	2	disc H 2308 -13X24X3-ZNAL-A
4	01181400	2	washer H 2308 -18X25X1,5-A4C
5	04206926	1	plate dx/rh/re
6	04206927	1	plate sx/lh/li
7	01148137	2	screw - UP TO MONTH OF ASSEMBLY ( A ) - FROM MONTH OF ASSEMBLY SEE POS. ( B ) A = 06.2009 B = POS. 950 DIN 931 -M12X75-10.9-ZNAL-A
8	01148037	2	screw UP TO MONTH OF ASSEMBLY ( A ) - FROM MONTH OF ASSEMBLY SEE POS. ( B ) A = 06.2009 B = POS. 951 ISO 4014 -M16X75-10.9-OELGESCHW
950	01149017	2	screw - FROM MONTH OF ASSEMBLY SEE POS. ( B ) - UP TO MONTH OF ASSEMBLY (A) FROM MONTH OF ASSEMBLY A = 07.2009 B = 7 DIN 34800 -BM12X75-10.9-ZNAL-A
951	01180235	2	screw - FROM MONTH OF ASSEMBLY SEE POS. ( B ) - UP TO MONTH OF ASSEMBLY ( A ) FROM MONTH OF ASSEMBLY A = 07.2009 B= Pos.8 H 2032 -HBM16X75-10.9-GESCHW





**ACCESSORIES**

Fig.	P/n	QTY	Name
------	-----	-----	------

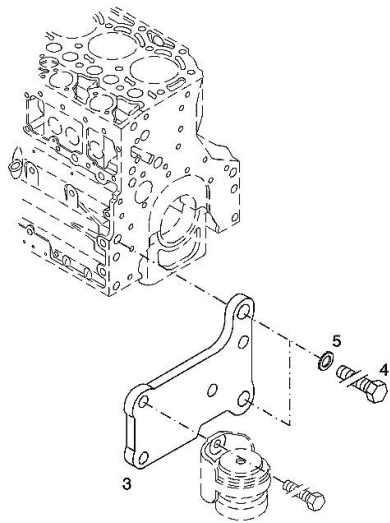
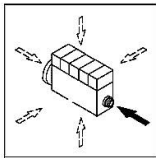
**Notes:**  
 [XT 110 -> 15001]

**Engine serial number:**

10869436 10888723 10959399 10968289 10970063 10986675 11006907 11007983 11011856 11024021 11048335  
 11048336 11050863 11050864 11069566 11069586 11072896 11076551 11124202 11125026 11125059 11125598  
 11140623 11140627 11140632 11141548 11155362 11155365 11157027 11173972 11181602 11213661

3	04288660	1	support
4	01148261	2	screw ISO 4017 -M16X40-10.9-ZNAL-A
5	01181400	2	washer H 2308 -18X25X1,5-A4C

003 ©



**FILLER CAP**

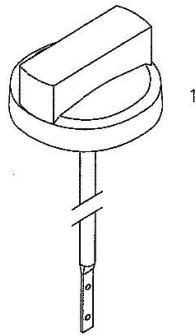
Fig.	P/n	QTY	Name
------	-----	-----	------

**Notes:**  
[XT 110 -> 15001]

**Engine serial number:**  
10869436 10888723 10959399 10968289 10970063 10986675 11006907 11007983 11011856 11024021 11048335  
11048336 11050863 11050864 11069566 11069586 11072896 11076551 11124202 11125026 11125059 11125598  
11140623 11140627 11140632 11141548 11155362 11155365 11157027 11173972 11181602 11213661

1	01180286	1	plug H 2875 -B2-OL40-166X4-130X12
---	----------	---	--------------------------------------

000



**PISTON COOL.NOZZLE**

Fig.	P/n	QTY	Name
------	-----	-----	------

**Notes:**

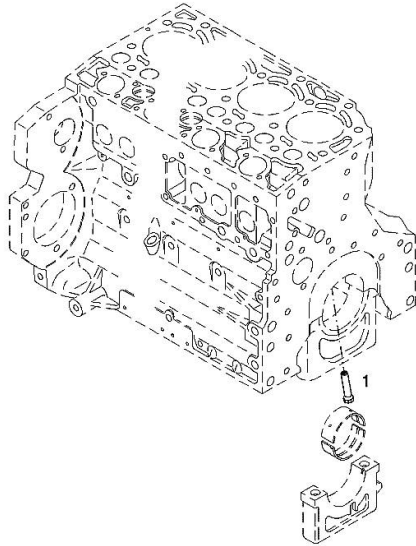
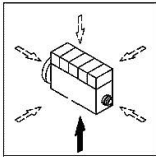
[XT 110 -> 15001]

**Engine serial number:**

10869436 10888723 10959399 10968289 10970063 10986675 11006907 11007983 11011856 11024021 11048335  
 11048336 11050863 11050864 11069566 11069586 11072896 11076551 11124202 11125026 11125059 11125598  
 11140623 11140627 11140632 11141548 11155362 11155365 11157027 11173972 11181602 11213661

1	04207521	1	sprayers
---	----------	---	----------

001 ©



Thank you so much for reading.  
Please click the “Buy Now!”  
button below to download the  
complete manual.



After you pay.

You can download the most  
perfect and complete manual in  
the world immediately.

Our support email:

[ebooklibonline@outlook.com](mailto:ebooklibonline@outlook.com)