

UNIT PLANTERS COTTON AND CORN NOS. 23A AND 23B FOR REAR MOUNTED TOOL BARS



JOHN DEERE

OPERATORS MANUAL

UNIT PLANTERS COTTON AND CORN
NOS. 23A AND 23B FOR REAR MOUNTED
TOOL BARS

OMB461255 (01DEC55) English

OMB461255 (01DEC55)

LITHO IN THE U.S.A.
ENGLISH



TO THE PURCHASER

Your new John Deere Unit Planter is sturdy and dependable. It will give long and efficient service if given proper care and operation.

This Operator's Manual is provided to furnish information on the proper operation, adjustment, and lubrication of your new planter. A parts list, with illustrations, is provided.

When in need of parts, see your John Deere dealer. He will furnish genuine John Deere parts and prompt and efficient service in the field or shop.

Study this manual carefully. Keep it handy, in a safe place, for future reference.



Right-hand and left-hand reference is determined by standing at the rear of the planter and facing the direction of travel.

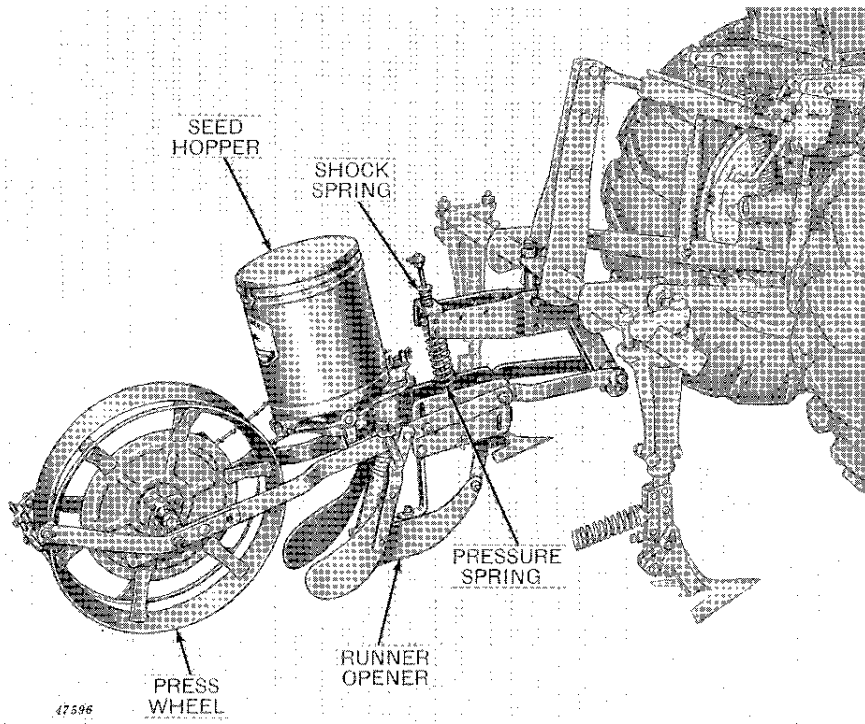
**JOHN DEERE Nos. 23A AND 23B UNIT
PLANTERS**

No..... Date Purchased

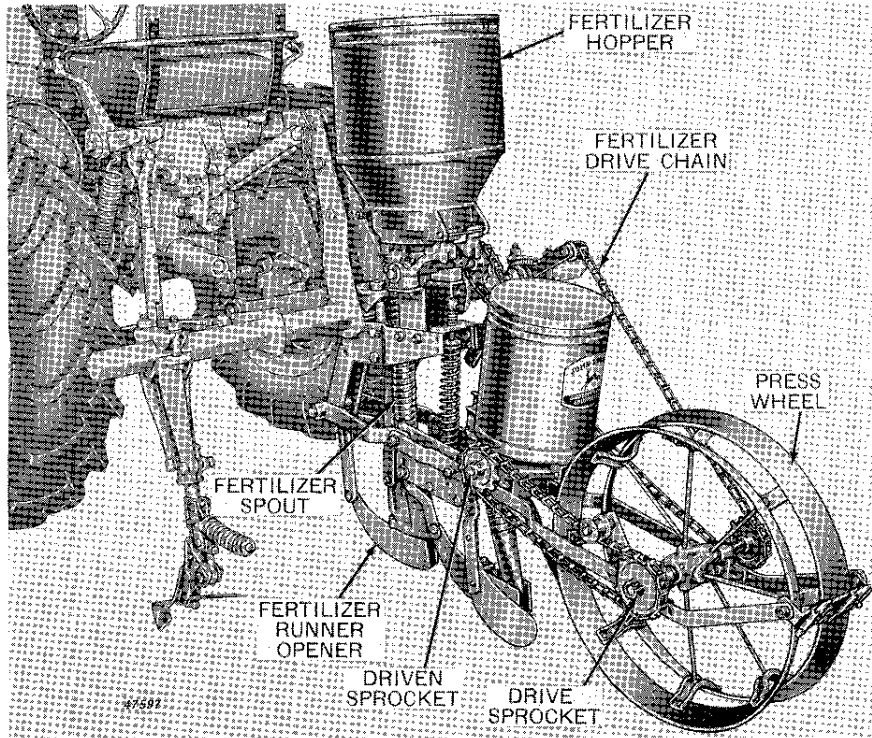
(It is John Deere policy to improve our machines at every opportunity. Consequently, it may be necessary to change design without notice.)

TABLE OF CONTENTS

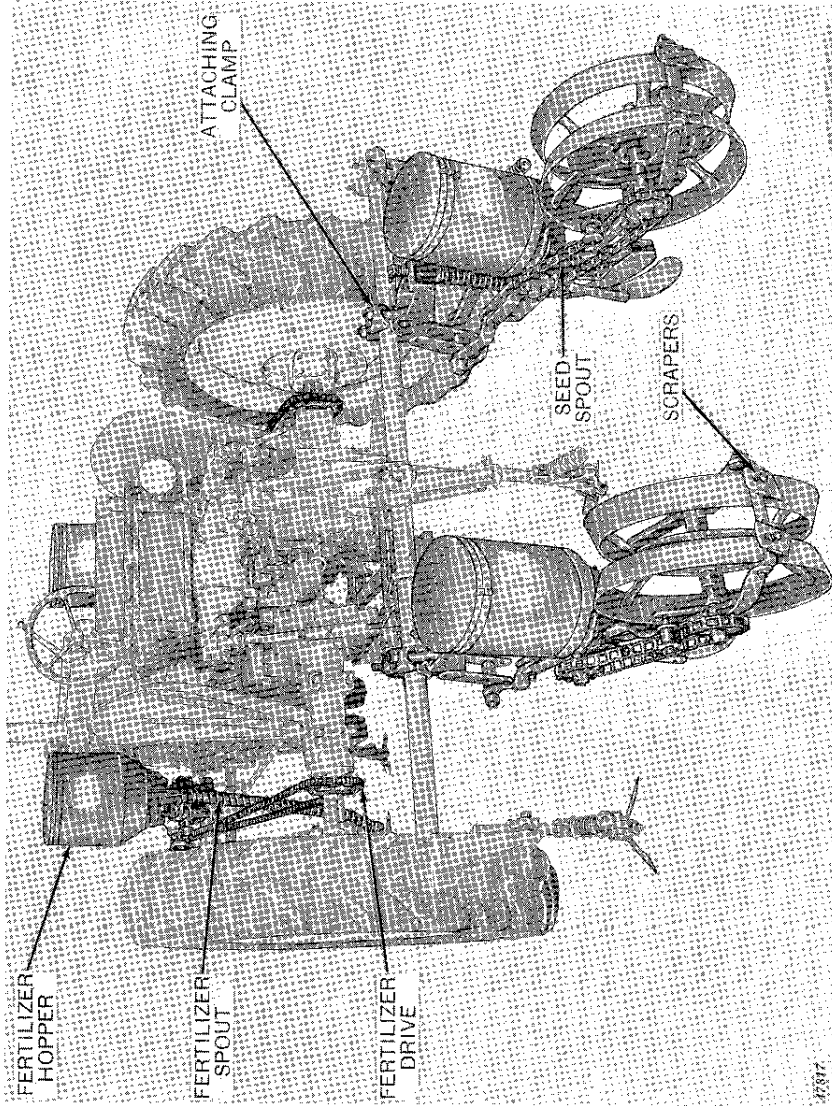
	<i>Page</i>
IDENTIFICATION VIEWS.....	2-5
DESCRIPTION.....	6
LUBRICATION.....	7
OPERATION.....	8-15
Row Widths.....	8
Planting Cotton.....	8
Planting Corn and All Other Seed Except Cotton.....	8
Regulating Depth of Planting.....	9
Front End Weights.....	9
Adjusting Spring Pressure.....	10
Leveling Planter.....	10
Safety Suggestions.....	10
Drilling.....	11
Approximate Drilling Distance No. 23A.....	11
Approximate Drilling Distance No. 23B.....	11
Approximate Pounds of Soybeans Planted Per Acre Using 20-Cell Plate No. H1255B, No. 23A.....	12
Approximate Pounds of Soybeans Planted Per Acre Using 20-Cell Plate No. H1255B, No. 23B.....	12
Seed Plates.....	13-15
ATTACHMENTS.....	16-22
Fertilizer Attachment, No. 23B only.....	16-17
Gauge Shoes.....	18
Press Wheel Weights, No. 23B only.....	18
Cole Hopper Adapter.....	19
Shovel Standard.....	20
Brush Cut-Off and Baffle Plate.....	20
Pea or Bean Attachment.....	21
Zero Pressure Semi-Pneumatic Rubber Press Wheel Tires.....	22
SHIPPING BUNDLES.....	23
ASSEMBLY.....	24
PARTS LIST.....	25-36



John Deere No. 23A Unit Planter Mounted on a John Deere No. 4100 Cultivator Rear Rig



***John Deere No. 23B Unit Planter with Fertilizer Attachment
Mounted on a John Deere No. 4100 Cultivator Rear Rig***



*John Deere No. 23A Unit Planter with No. 42 Side-Dressing Attachment
Mounted on a John Deere No. 4200 Series Cultivator*

42817

Buy Now



Our support email:

ebooklibonline@outlook.com