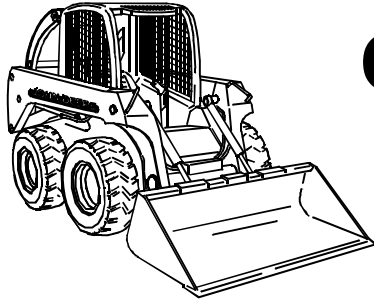


# Power Rake PR72, PR72S, and PR96 for 240, 250, 260, 270 and 4475, 5575, 6675, 7775, 8875 Skid Steers

(Serial No. 100100 – )



## OPERATOR'S MANUAL

John Deere  
Commercial Worksite Products

OMKV16793 D0

North American Version  
Litho in U.S.A  
English

# INTRODUCTION

**THANK YOU** for purchasing a John Deere product.

Read this manual and your vehicle manual thoroughly. Failure to do so could result in personal injury or equipment damage.



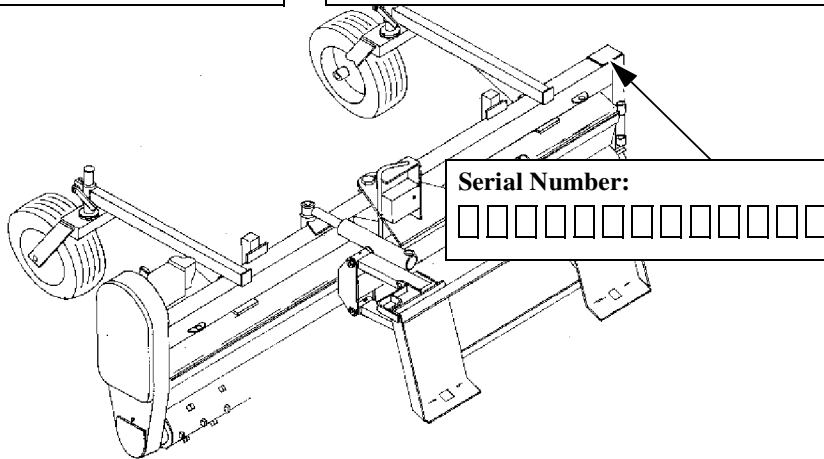
This manual should be considered a permanent part of your attachment and should remain with the attachment when you sell it.

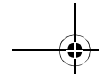
Measurements in this manual are metric units and their U.S. customary equivalents. RIGHT-HAND and LEFT-HAND sides are determined by facing in the direction the machine will travel when going forward. When you see a broken line arrow ( - - - - - ► ) it indicates the part it is pointing to is hidden.

Record identification numbers below. Be sure to record all the numbers to help in tracing the machine if it is stolen. You also need to give these numbers to your dealer when you order parts.

**Date of Purchase:**  
\_\_\_\_\_

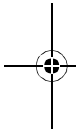
**Dealer Name:** \_\_\_\_\_ **Phone:** \_\_\_\_\_





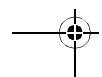
# TABLE OF CONTENTS

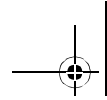
	Page
<b>Safety Signs</b> .....	<b>1</b>
<b>Controls</b> .....	<b>4</b>
<b>Installing</b> .....	<b>5</b>
<b>Removing</b> .....	<b>10</b>
<b>Operating</b> .....	<b>12</b>
<b>Service Machine Safely</b> .....	<b>24</b>
<b>Service Interval Chart</b> .....	<b>27</b>
<b>Service</b> .....	<b>28</b>
<b>Troubleshooting</b> .....	<b>32</b>
<b>Storing Machine</b> .....	<b>33</b>
<b>Assembly</b> .....	<b>34</b>
<b>Specifications</b> .....	<b>39</b>
<b>Warranty</b> .....	<b>46</b>
<b>Index</b> .....	<b>47</b>
<b>John Deere Service Literature</b> .....	<b>54</b>



All information, illustrations and specifications in this manual are based on the latest information at the time of publication. The right is reserved to make changes at any time without notice.

COPYRIGHT© 2000  
John Deere Commercial Worksite Products  
Knoxville, Tennessee  
All rights reserved  
Previous Editions  
COPYRIGHT© 1999

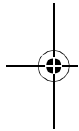




# NOTES

---

---

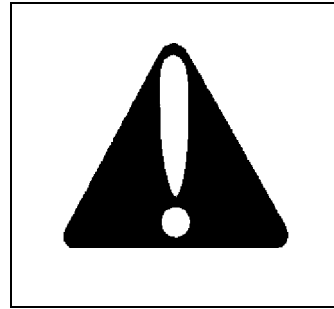


## SAFETY SIGNS

### Safety-Alert Symbol

Read and recognize safety information. Be alert to the potential for personal injury when you see this safety-alert symbol.

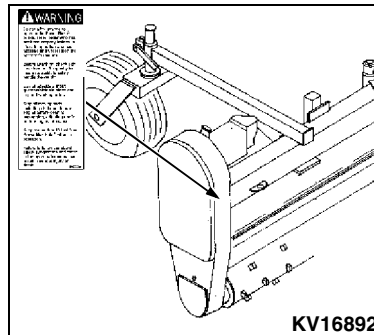
On your attachment safety labels, the words DANGER, WARNING, and CAUTION are used with this safety-alert symbol. DANGER identifies the most serious hazards. In this manual, the word CAUTION and this symbol call attention to safety messages.



### Attachment Safety Labels

#### **WARNING: Avoid Injury or Death**

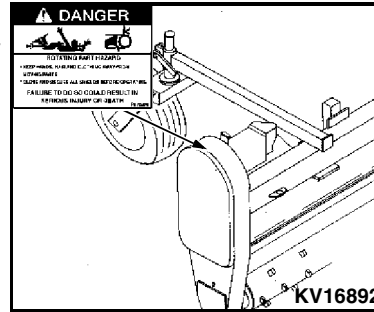
- Do not allow anyone to operate the Power Rake or skid steer who has not been properly trained in its safe operation and has not read and understood the operator's manual.
- Before attaching, check skid steer lift capacity to ensure its ability to safely handle the weight.
- Do not operate without guards/shields in place, and in good working order.
- Stop all moving parts including skid steer engine before cleaning, unplugging, adjusting and/or performing maintenance.
- Keep bystanders 10 feet from Power Rake when in operation.
- Failure to follow the above safety suggestions and those in the operator's manual can result in serious injury or death.



## SAFETY SIGNS

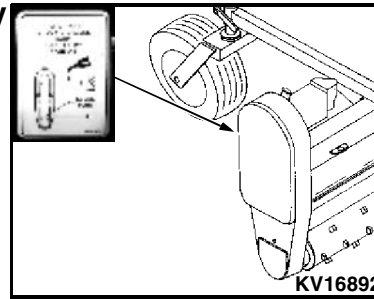
### **DANGER: Rotating Part Hazard**

- Keep hands, hair and clothing away from moving parts.
- Close and secure all shields before operating.
- Failure to do so could result in serious injury or death.



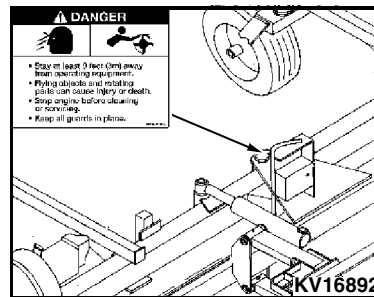
### **IMPORTANT: Check Oil Level Daily**

- Use GL5 Gear Lubricant 85W140 gear oil.



### **DANGER: Flying Parts and Rotating Parts**

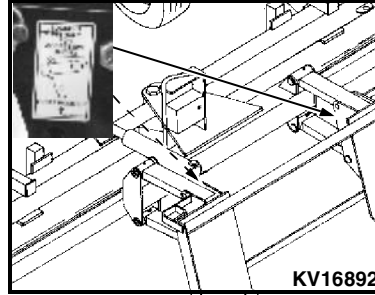
- Stay at least 3 m (10 ft.) away from operating equipment.
- Flying objects and rotating parts can cause injury or death.
- Stop engine before cleaning or servicing.
- Keep all guards in place.



## SAFETY SIGNS

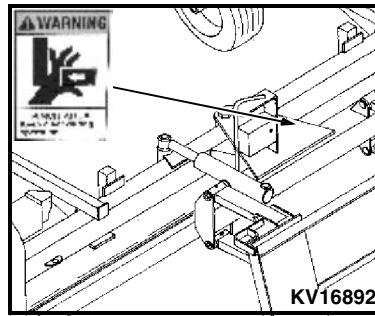
### Lockout Float Pin (PR72 & PR96 Only)

- For aggressive raking



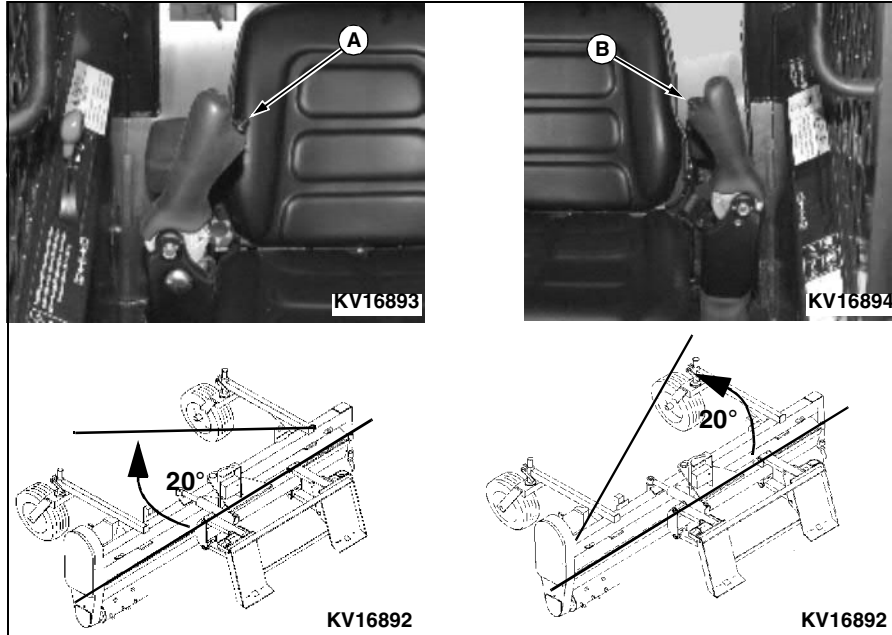
### WARNING: Pinch Point (PR72 & PR96 Only)

- Keep clear during operation.



## CONTROLS

### Actuator Switches (Optional\*- PR72 & PR96 Only) (Not Applicable for Straight Power Rake) (200 Series Only, Not Available on 75 Series)



- A – Pivots power rake to the right**
- B – Pivots power rake to the left**

\*Requires that skid steer has 12-Volt power supply kit installed (optional). 12-Volt power supply kit is NOT required for rotation of roller. 12-Volt power supply kit is required to angle power rake.



## INSTALLING

### **Park Skid Steer Safely**

1. Stop skid steer on firm, level surface. Do not park on a slope.
2. Lower boom and attachment to the ground.
3. Engage the park brake.
4. Stop the engine. Release the seat belt.
5. Remove the key.
6. Before you leave the operator's seat, wait for engine and all moving parts to STOP.

### **Avoid High Pressure Fluids**

- Escaping fluid under pressure can penetrate the skin causing serious injury. Avoid the hazard by relieving pressure before disconnecting hydraulic or other lines. Tighten all connections before applying pressure.
- Search for leaks with a piece of cardboard. Protect hands and body from high pressure fluids.
- If an accident occurs, see a doctor immediately. Any fluid injected into the skin must be surgically removed within a few hours or gangrene may result. Doctors unfamiliar with this type of injury should reference a knowledgeable medical source. Such information is available from Deere & Company Medical Department in Moline, Illinois, U.S.A., 1-800-822-8262.



**Buy Now**



Our support email:

[ebooklibonline@outlook.com](mailto:ebooklibonline@outlook.com)