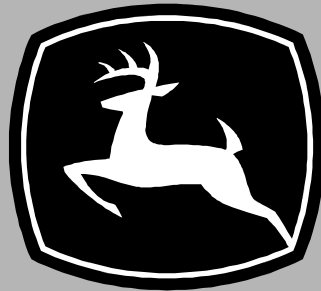


JOHN DEERE
WORLDWIDE CONSTRUCTION
AND FORESTRY DIVISION

Angle and Pick Up Brooms
BA72, BA84
BP72, BP84
OMKV18659 J1
OPERATOR'S MANUAL



JOHN DEERE

North American Version
Litho in U.S.A.

INTRODUCTION

Thank You for Purchasing a John Deere Product

We appreciate having you as a customer and wish you many years of safe and satisfied use of your machine.

Using Your Operator's Manual

This manual is an important part of your machine and should remain with the machine at all times.

Reading your operator's manual will help you and others avoid personal injury or damage to the machine. Information given in this manual will provide the operator with the safest and most effective use of the machine. Knowing how to operate this machine safely and correctly will allow you to train others who may operate this machine.

This manual and safety signs on your machine may also be available in other languages (see your Authorized John Deere Skid Steer Dealer to order).

Sections in your operator's manual are placed in a specific order to help you understand all the safety messages and learn the controls so you can operate this machine safely. You can also use this manual to answer any specific operating or servicing questions. A convenient index located at the end of this book will help you to find needed information quickly.

The machine shown in this manual may differ slightly from your machine, but will be similar enough to help you understand our instructions.

RIGHT-HAND and LEFT-HAND sides are determined by facing in the direction the machine will travel when going forward. When you see a broken line arrow (----->), the item referred to is hidden from view.

Before delivering this machine, your dealer performed a predelivery inspection to ensure best performance.

Special Messages

Your manual contains special messages to bring attention to potential safety concerns, machine damage as well as helpful operating and servicing information. Please read all the information carefully to avoid injury and machine damage.

IMPORTANT: Avoid damage! This text is used to tell the operator of actions or conditions that might result in damage to the machine.

NOTE: Information is given throughout the manual that may help the operator with the operation or service of the machine.



CAUTION: Avoid injury! This symbol and text highlight potential hazards or death to the operator or bystanders that may occur if the hazards or procedures are ignored.

PRODUCT IDENTIFICATION

Record Identification Numbers

Brooms for Skid Steers

BA72 Serial No. (KVBA72X400101 -)

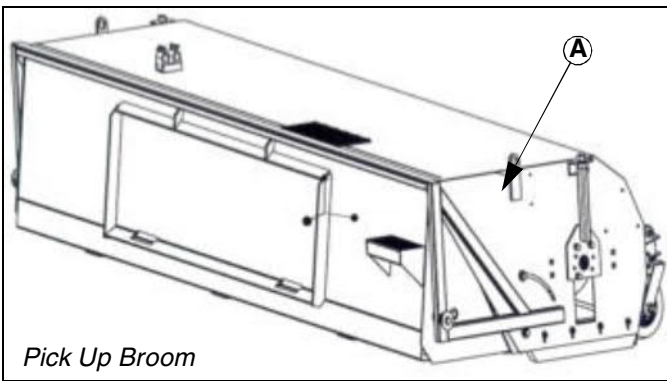
BA84 Serial No. (KVBA84X400101 -)

BP72 Serial No. (KVBP72X400101 -)

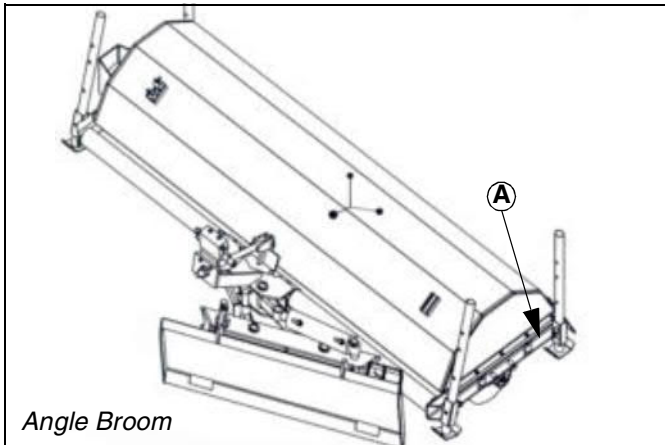
BP84 Serial No. (KVBP84X400101 -)

If you need to contact an Authorized Service Center for information on servicing, always provide the product model and identification numbers.

You will need to locate the identification numbers for the product. Record the information in the spaces provided below.



KV1213



KV1215

DATE OF PURCHASE:

DEALER NAME:

DEALER PHONE:

SERIAL NUMBER (A):

TABLE OF CONTENTS

Safety	1
Preparing Vehicle	6
Installing Angle Broom.....	7
Installing Pick Up Broom	10
Removing	13
Operating	15
Replacement Parts	20
Service Intervals	21
Service	22
Troubleshooting	26
Storage	27
Assembly	28
Specifications	29
Warranty	30
Index.....	31

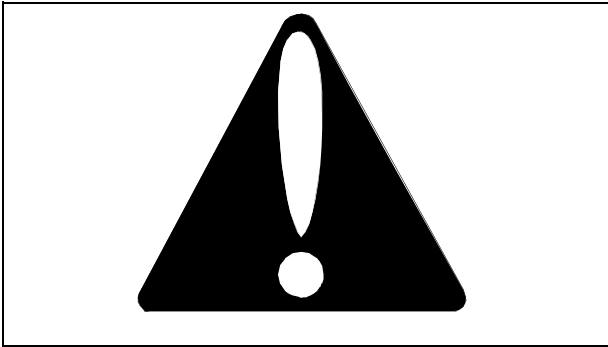
All information, illustrations and specifications in this manual are based on the latest information at the time of publication. The right is reserved to make changes at any time without notice.

COPYRIGHT© 2001
DEERE & COMPANY
Moline, Illinois
All rights reserved
Previous Editions
COPYRIGHT©

OMKV18659 J1 - English

SAFETY

Understanding The Machine Safety Labels



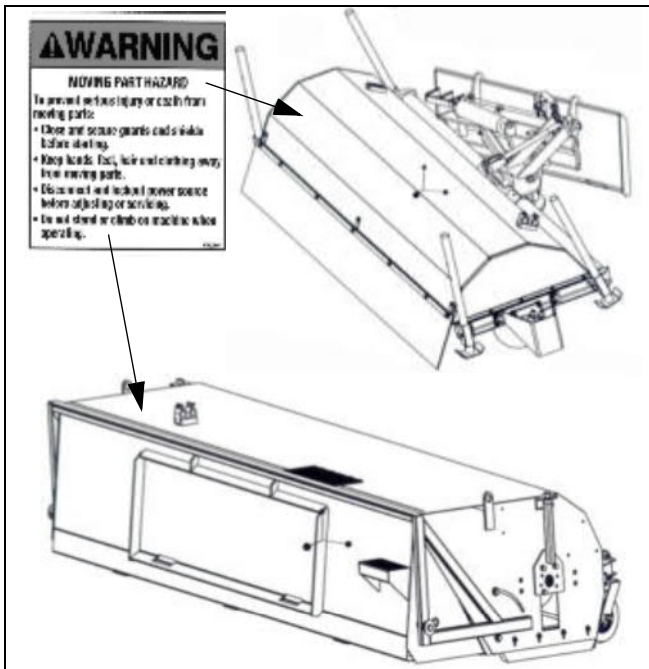
Safety-Alert Symbol

The machine safety labels shown in this section are placed in important areas on your machine to draw attention to potential safety hazards.

On your machine safety labels, the words DANGER, WARNING, and CAUTION are used with this safety-alert symbol. DANGER identifies the most serious hazards.

The operator's manual also explains any potential safety hazards whenever necessary in special safety messages that are identified with the word, CAUTION, and the safety-alert symbol.

WARNING - Moving Part Hazard



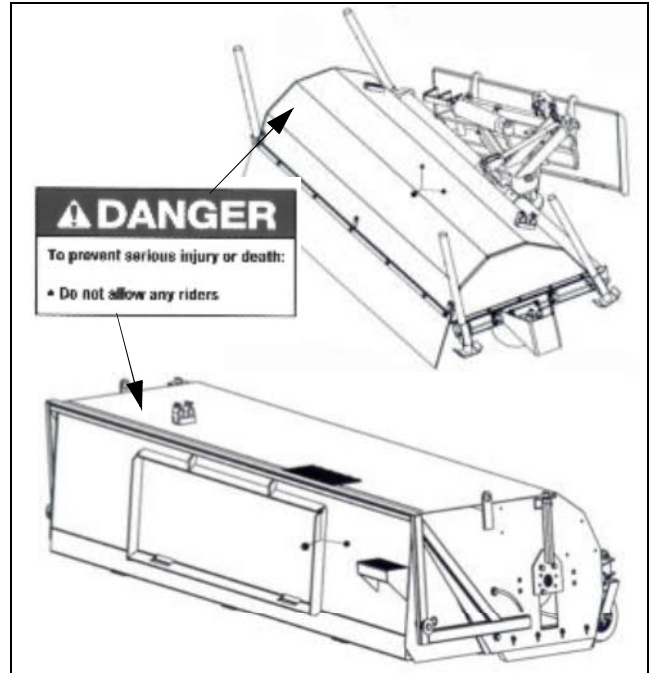
KV1202/ KV1213/ KV1214

To prevent serious injury or death from moving parts:

- Close and secure guards and shields before starting.

- Keep hands, feet, hair and clothing away from moving parts.
- Disconnect and lockout power source before adjusting or servicing.
- Do not stand or climb on machine when operating.

DANGER



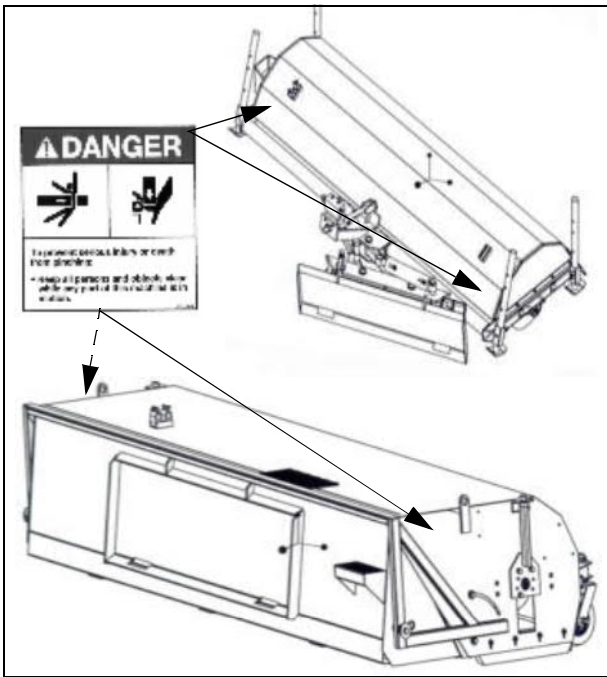
KV1201/ KV1213/ KV1214

To prevent serious injury or death:

- Do not allow any riders.

SAFETY

DANGER - Pinching

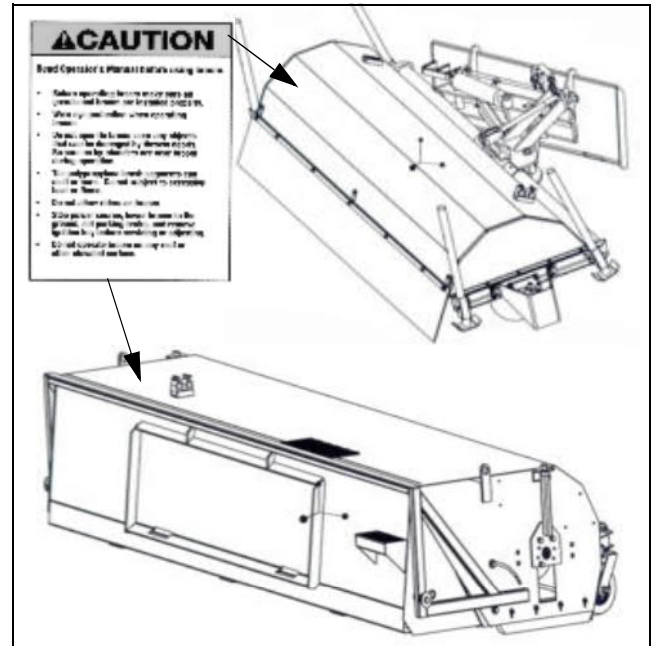


KV1203/ KV1213/ KV1215

To prevent serious injury or death from pinching:

- Keep all persons and objects clear while any part of this machine is in motion.

CAUTION - Read Operator's Manual



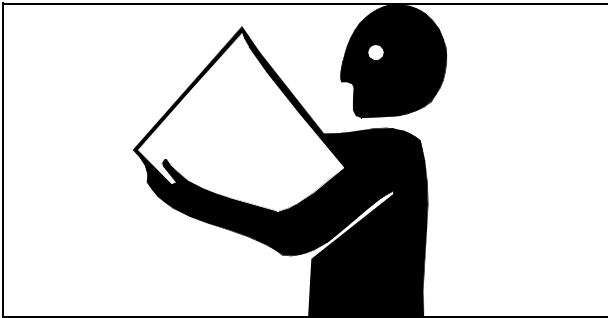
KV1200/ KV1213/ KV1214

Read Operator's Manual before using broom.

- Before operating broom, make sure all guards and broom are installed properly.
- Wear eye protection when operating broom.
- Do not operate broom near any objects that can be damaged by thrown debris. Be sure no by-standers are near broom during operation.
- The polypropylene brush segments can melt or burn. Do not subject to excessive heat or flame.
- Do not allow riders on broom.
- Stop power source, lower broom to the ground, set parking brake, and remove ignition key before servicing or adjusting.
- Do not operate broom on any roof or other elevated surface.

SAFETY

Operator Training Required



MIF

- Study the Skid Steer's Operator Manual. Know the location and function of all controls. Know how to operate the skid steer before using this attachment.
- Study operating section of this manual before operating a broom attachment. Know location and function of all controls.
- Operate machine in an open, unobstructed area under the direction of an experienced operator.
- Operator experience is required to learn the moving, stopping, turning, and other operating characteristics of the machine.
- Learn the use of all controls.

Operate Safely

- Inspect the machine and attachment before you operate. Be sure all hardware is tight. Repair or replace damaged, badly worn, or missing parts. Be sure guards and shields are in good condition and fastened in place. Make any necessary adjustments before you operate.
- Clear work area of objects that might be thrown. Keep people and pets out of the work area. Stop machine if anyone enters the area.
- Do not operate broom unless it is properly installed on the skid steer.
- If you hit an object, stop the machine and inspect machine for damage. Make repairs before you operate again. Keep machine properly maintained and in good working order.
- Do not leave machine unattended while it is running.
- Operate only during daylight or with adequate artificial light.
- Watch for overhead wires. Never touch wires with any part of the skid steer boom or attachment.
- Do not let anyone ride on the skid steer.
- Do not let children or an untrained person operate machine.
- Always check to the sides and rear of the skid steer

before backing up.

- Never direct the discharge at bystanders or allow anyone to stand in front of the broom.
- Never operate the broom near glass enclosures, automobiles, window wells, or drop-offs without first adjusting the angle and direction of the discharge.
- Exercise extreme caution when operating on or near gravel drives, walks, or roads. Stay alert for hidden hazards or traffic.

Park Safely

1. Stop machine on a level surface, not on a slope.
2. Lower boom so attachment is on the ground. (If you must leave boom raised, be sure any attachment is removed and the boom locks are in the locked [Engaged] position, and boom is resting on locks.)
3. Engage park brake switch.
4. Stop engine.
5. Remove key.
6. **BP72 and BP84 ONLY** - Remove right broom hood chain from skid steer boom handle before entering/exiting.
7. Before you leave the operator's seat, wait for engine and all moving parts to stop.
8. Enter /exit from the right side of the attachment only.

Avoid Tipping

- Do not drive where machine could slip or tip.
- Stay alert for holes and other hidden hazards in the terrain. Avoid rocks, roots and ditches.
- Slow down before you make a sharp turn or operate on a slope.
- Drive up and down a hill - not across. Be careful when you change direction on a slope.
- If skid steer begins tipping forward with boom raised, immediately lower boom to regain stability.

Buy Now



Our support email:

ebooklibonline@outlook.com