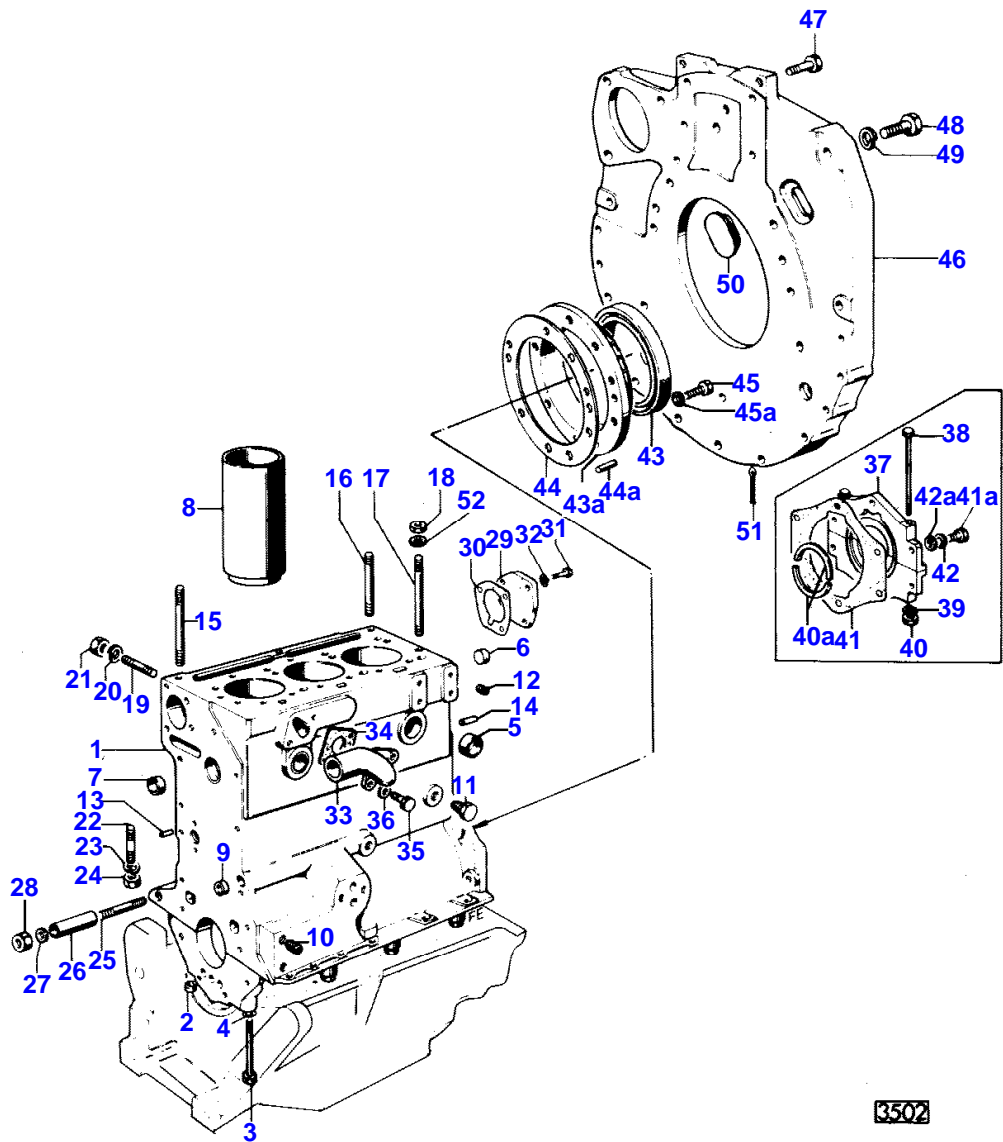


TABLE OF CONTENT

Page Title	Page Number
CYLINDER BLOCK - AD3.152	2
CRANKSHAFT & FLYWHEEL - AD3.152	8
CYLINDER HEAD AND COVER - AD3.152	12
ROCKER ARM - AD3.152	16
TIMING GEAR - AD3.152	18
LUBRICATION - AD3.152	24
WATER PUMP - AD3.152	30
FUEL INJECTION PUMP - AD3.152	34
FUEL LIFT PUMP - AD3.152	38
FUEL PIPINGS AND FUEL FILTER - AD3.152	40
GASKET SET - AD3.152	42
ELECTRICAL EQUIPMENT - ENGINE	44
COOLING SYSTEM	48
FUEL TANK - AD3.152	50
INDUCTION MANIFOLD - AD3.152	52
AIR FILTER - FISPA	54
AIR FILTER - LAUTRETTE	56
EXHAUST MANIFOLD AND MUFFLER - AD3.152	58
THROTTLE CONTROLS - AD3.152	60
CLUTCH ASSEMBLY	62
DUAL CLUTCH - LUK TYPE	66
DOUBLE CLUTCH CONTROL	68
CLUTCH SHAFT BRAKING SYSTEM	74
TRANSMISSION HOUSING - CENTRE AXLE HOUSING	76
SYNCHRO-MESH TRANSMISSION	78
CONTROLS AND TRANSMISSION SHIFT LEVERS	82
CENTER GEAR UNIT	84
POWER TAKE OFF	86
POWER TAKE-OFF 540/1000 R.P.M.	90
BELT PULLEY	94
REAR AXLE-HOUSING	98
STEERING CLUTCH	102
BRAKES	106
FRONT SUSPENSION - REAR SUSPENSION	112
TRACK CARRIER	118
TRACK ROLLER	120
UPPER ROLLER	122
IDLER WHEEL	124
TRACK CHAIN	128
HYDRAULIC LIFT PUMP AND LINES	134
OIL PUMP - HYDRAULIC LIFT	138
HYDRAULIC CONTROL VALVE - HYDRAULIC LIFT	140
HYDRAULIC LIFT	144
CONTROL QUADRANTS	150
AUXILIARY HYDRAULICS VALVE AND PIPES	156
AUXILIARY HYDRAULICS VALVE	160
AUXILIARY HYDRAULICS VALVE	162
LINKAGE - CAT. 1	164
SWINGING DRAWBAR	172
HITCH	176
MOUNTING FRAME AND FRONT WEIGHTS	178
HOOD	180
SEAT - FENDERS - PLATFORM	184
TRACK GEAR GUARDS	188
INSTRUMENTS	190
DECALS	192
FRONT AND REAR LIGHTING EQUIPMENT	194
TOOL GROUP	200

2

<p>CYLINDER BLOCK</p> <p>BLOC MOTEUR KURBELGEHAEUSE BLOCCO CILINDRI BLOQUE DE CILINDROS</p>	<p>AD3.152</p> <p>AD3.152 AD3.152 AD3.152 AD3.152</p>
---	---



3502

CYLINDER BLOCK - AD3.152

Item	Part Number	Qty	Description	Comments
				AD3.152
1	86272	1	Cylinder Block	Up to Serial or Engine Number 152UA391043DL
	61424	1	Cylinder Block	From Serial or Engine Number 152UA391044DL
2	F0870001	8	Thimble	1
3	32181441	8	Screw	Up to Serial or Engine Number 152UA391043DL
				1
3	32181441	6	Screw	From Serial or Engine Number 152UA391044DL
				1
3	32181442	2	Screw	From Serial or Engine Number 152UA391044DL
				1
4	2415608	2	O Ring	From Serial or Engine Number 152UA391044DL
				1
5	0650563	4	Plug	1
6	0650664	1	Plug	1
7	0650710	1	Plug	1
8	31358382	3	Liner	1
9	0650566	2	Plug	
10	32114451	3	Plug	
11	32161114	1	Plug	
12	32114451	2	Plug	
13	0350005	1	Dowel	
14	0350016	2	Dowel	
15	32524131	3	Stud	Up to Serial or Engine Number 152UA431804DL
16	32524132	6	Stud	Up to Serial or Engine Number 152UA431804DL
17	32524133	9	Stud	Up to Serial or Engine Number 152UA431804DL
	32524132	2	Stud	From Serial or Engine Number 152UA431805DL
18	33221315	18	Nut	Up to Serial or Engine Number 152UA431804DL
	33221315	2	Nut	From Serial or Engine Number 152UA431805DL
19	0826201	2	Stud	
20	33114412	2	Washer	
21	33221115	2	Nut	
22	0826285	1	Stud	
23	0920053	1	Washer	
24	0576002	1	Nut	
25	737795M1	1	Stud	
26	33266125	1	Spacer	
27	33121417	X	Shim	Thickness 0,9MM.
	33121416	X	Shim	Thickness 0,25MM.
	0760050	X	Shim	Thickness 0,13MM.
	33121415	X	Shim	Thickness 0,05MM.
28	353427X1	1	Nut Unf	
29	36237125	1	Plate	
30	36862511	1	Joint	
31	0746253	3	Screw	
32	0920053	3	Washer	
33	0201045	1	Connection	
34	0490486	1	Joint	
35	0746255	2	Setscrew	
36	0920106	2	Washer	
37	41422034	1	Cover	(A)
38	0096243	2	Screw	(A)
39	0920053	2	Washer	(A)
40	0576002	2	Nut	(A)
40A	36883106	2	Seal	(A)
41	36817134	1	Joint	(A)
41A	0746354	6	Screw	(A)
42	0920299	6	Washer	(A)
42A	33114118	6	Shim	(A)
43	2415391	1	Seal	(B)
43A	37424611	1	Housing	(B)
44	33826111	1	Joint	(B)
44A	0350015	2	Dowel	(B)
45	0746255	9	Setscrew	(B)
45A	0920003	9	Washer	(B)
46	37147974	1	Plate	
47	0720798	2	Screw	
48	0746454	6	Setscrew	
49	0920054	6	Washer	
50	37813113	1	Plug	
51	0610045	1	Pin	

MASSEY FERGUSON

MF 134 C CRAWLER - 1423888

1423888

CYLINDER BLOCK - AD3.152

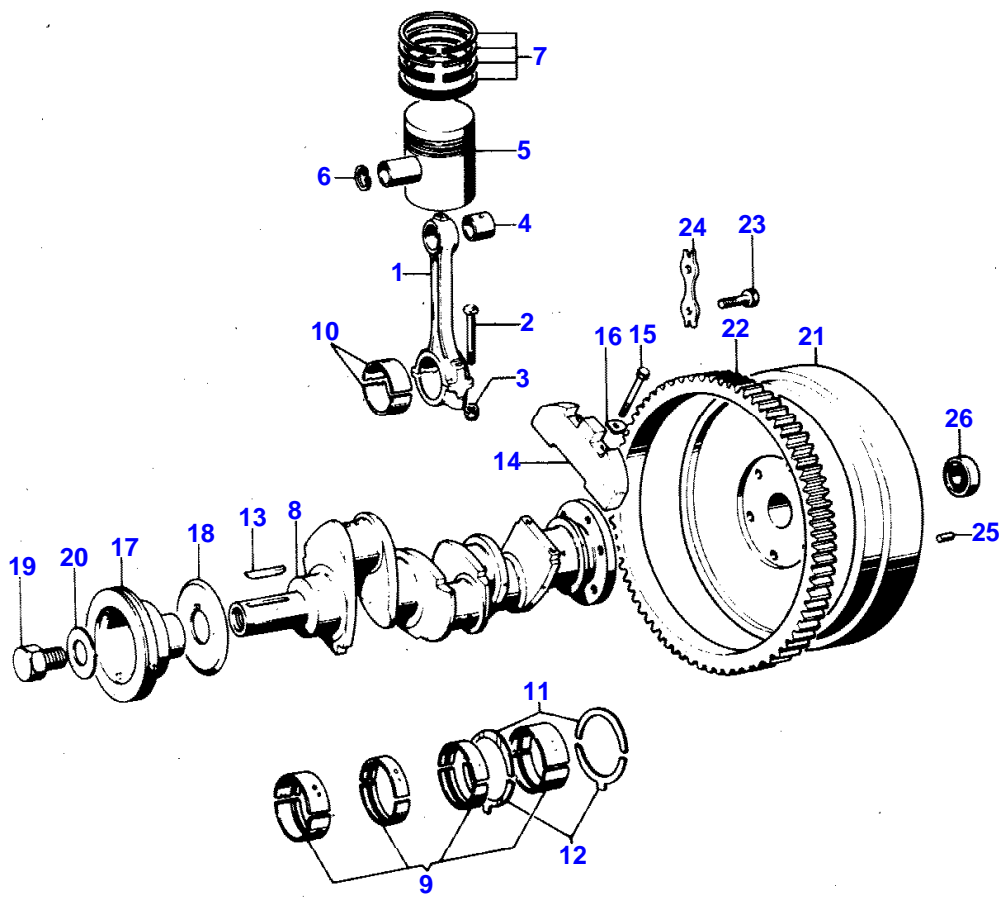
2

Item	Part Number	Qty	Description	Comments
52	0920006	1	Washer	(A) Up to Serial or Engine Number 152UA391043DL (B) From Serial or Engine Number 152UA391044DL

8

CRANKSHAFT & FLYWHEEL
 VILEBREQUIN ET VOLANT
 KURBELWELLE UND SCHWUNGRAD
 ALBERO MOTORE E VOLANO
 CIGUENAL Y VOLANTE

AD3.I52
 AD3.I52
 AD3.I52
 AD3.I52
 AD3.I52

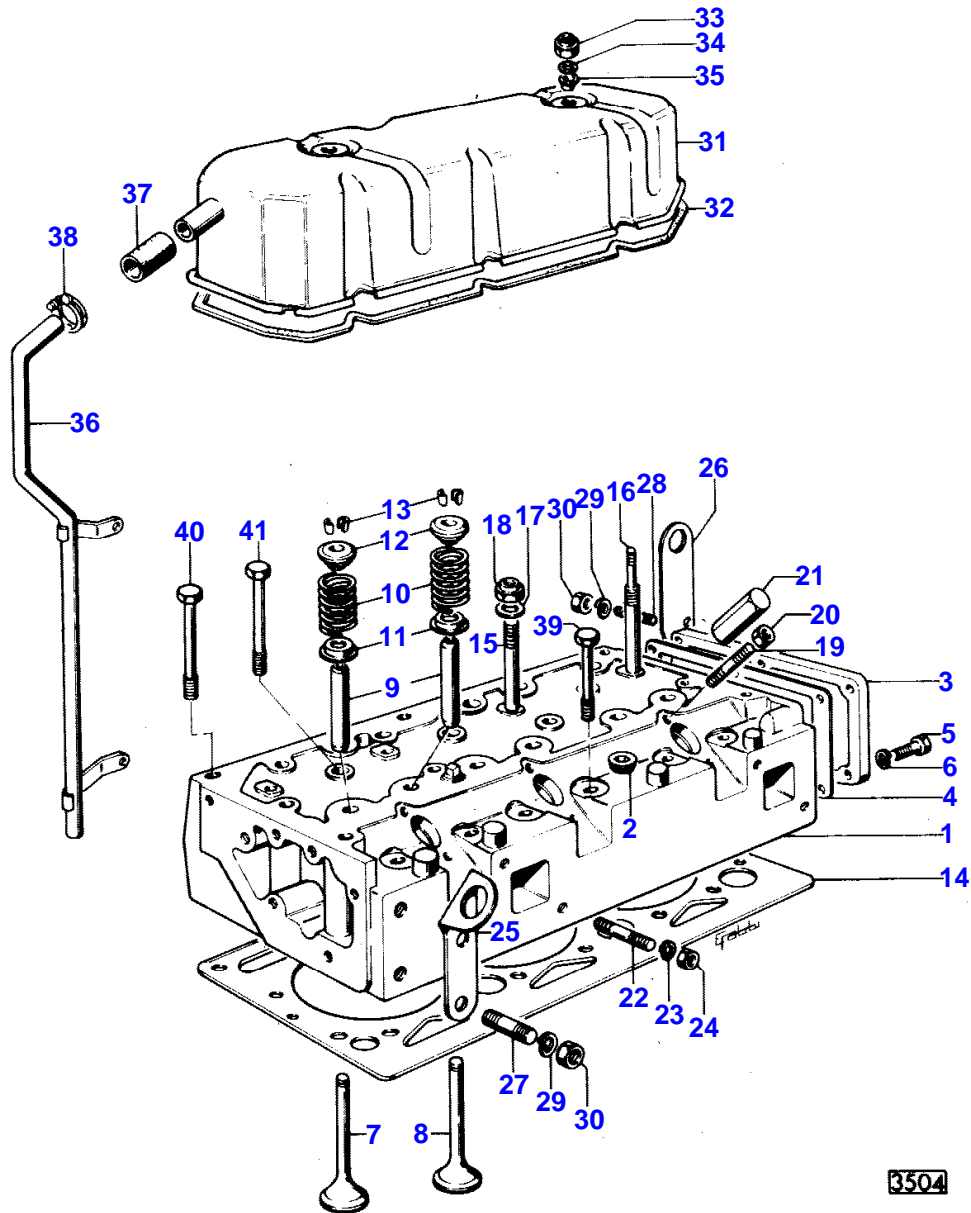


3503

Item	Part Number	Qty	Description	Comments
				AD3.152
1	84774	3	Rod	
2	0095250	6	Bolt	1
3	33221319	6	Nut	1
4	31134151	3	Bush	1
5	82111	3	Piston	
6	0170001	6	Circlip	5
7	84957	3	Kit, Ring	
8	84402	1	Crankshaft	Up to Serial or Engine Number 152UA391043DL
	94458	1	Kit, Crankshaft	From Serial or Engine Number 152UA391044DL
9	58703	X	Kit, Bearing	(A) 8
9	58703A	X	Kit, Bearing	(A) Thickness -0,254MM.
9	58703B	X	Kit, Bearing	(A) Thickness -0,508MM.
9	58703C	X	Kit, Bearing	(A) Thickness -0,762MM.
10	85036	X	Kit, Bearing	(A) 8
10	85036A	X	Kit, Bearing	(A) Thickness -0,254MM.
10	85036B	X	Kit, Bearing	(A) Thickness -0,508MM.
10	85036C	X	Kit, Bearing	(A) Thickness 0,762MM.
11	31137211	2	Thrust Washer	8
	31197192	X	Ring	Thickness +0,178MM.
12	31137221	2	Thrust Washer	
	31137202	X	Thrust Washer	Thickness +0,178MM.
13	36271704	1	Woodruff Key	
14	0995415	2	Weight	
15	2185189	4	Screw	
16	31731516	2	Washer	
	31731515	2	Washer	
17	31147785	1	Pulley	
18	33176308	1	Flange	
19	32162312	1	Screw	
20	33125112	1	Washer	
21	1824617M1	1	Flywheel	
	1825512M1	1	Flywheel	(B)
22	0410236	1	Starter Ring	
23	973013M1	6	Bolt	
24	0921062	3	Tab Washer	
25	1817069M1	2	Pin	
26	339599X1	1	Bearing Ball	(A) BEARINGS ARE PREFINISHED (B) PROVIDED WITH DOUBLE CLUTCH ONLY

12

<p>CYLINDER HEAD AND COVER CULASSE ET COUVERCLE ZYLINDERKOPF UND DECKEL TESTA CILINDRI E COPERCHIO CULATA Y TAPA</p>	<p>AD3.I52 AD3.I52 AD3.I52 AD3.I52</p>
--	---



CYLINDER HEAD AND COVER - AD3.152

Item	Part Number	Qty	Description	Comments
				AD3.152
1	68128	1	Cylinder Head	(A)
2	2431154	2	Plug	1
3	0940737	1	Plate	1
4	0490485	1	Joint	1
5	0746254	6	Setscrew	1
6	0290053	6	Lock Washer	1
7	31431281	3	Valve Inlet	1
8	31431591	3	Valve Exhaust	1
9	33261723	6	Guide	1
10	0780006	6	Spring	1
11	33415133	6	Washer	1
12	0150008	6	Cap	1
13	33173115	12	Cotter	(B) 1
14	36812127	1	Gasket	
15	0826469	2	Stud	
16	32754412	2	Stud	
17	0920004	4	Washer	
18	2211283	4	Nut	
19	0826264	6	Stud	
20	0576002	3	Nut	
21	32726512	3	Nut	
22	0826232	4	Stud	
23	0920003	4	Washer	
24	2188134	4	Nut	
25	36456321	1	Plate	
26	36531408	1	Plate	
27	0826462	2	Stud	
28	0826466	2	Stud	
29	0920054	4	Washer	
30	0576051	4	Nut	
31	37188557	1	Cyl.Head Cover	
32	36811115	1	Joint	
33	0576102	2	Nut	
34	0920003	2	Washer	
35	0920302	2	Washer	
36	35732479	1	Pipe,Breather	
37	0202058	1	Hose	
38	0180103	2	Clip	
39	32181447	4	Screw	From Serial or Engine Number 152UA431805DL
40	32181445	3	Screw	From Serial or Engine Number 152UA431805DL
41	32181446	9	Screw	From Serial or Engine Number 152UA431805DL

(A)
FOR ENGINES PRIOR TO SERIAL NO. 152UA431805DL SUPPLY THE
CYLINDER HEAD 68128 WITH NO. (1) 32524133
(B)
SERVICED IN PAIR

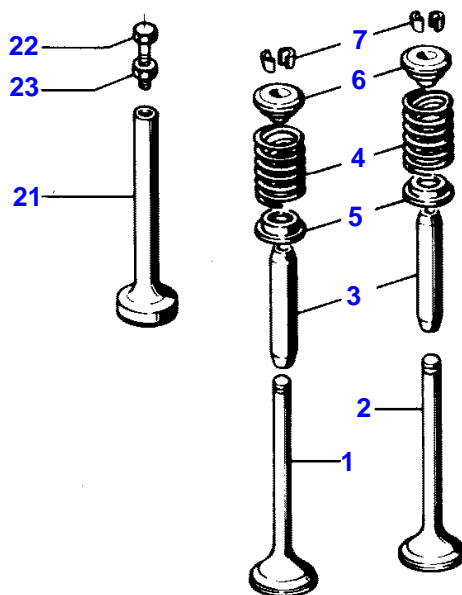
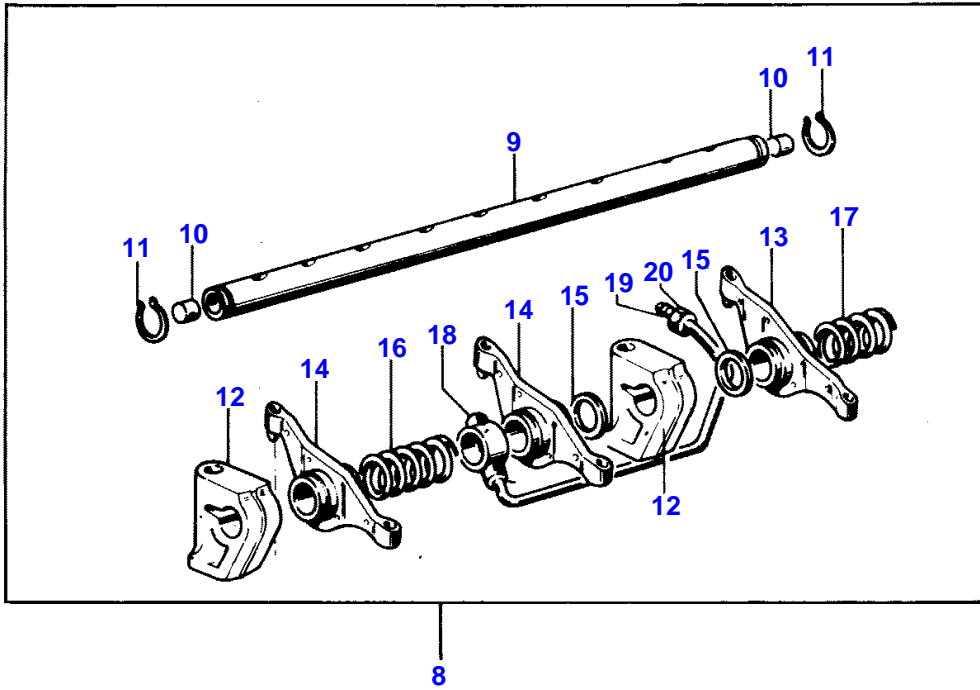
I6

ROCKER ARM

ARBRE CULBUTEURS
 ZIPPHEBELWELLE
 ASSE E BILANCIERI
 EJE DE BALANCINES

AD3.I52

AD3.I52
 AD3.I52
 AD3.I52
 AD3.I52



3505

MASSEY FERGUSON**MF 134 C CRAWLER - 1423888**

1423888

ROCKER ARM - AD3.152

16

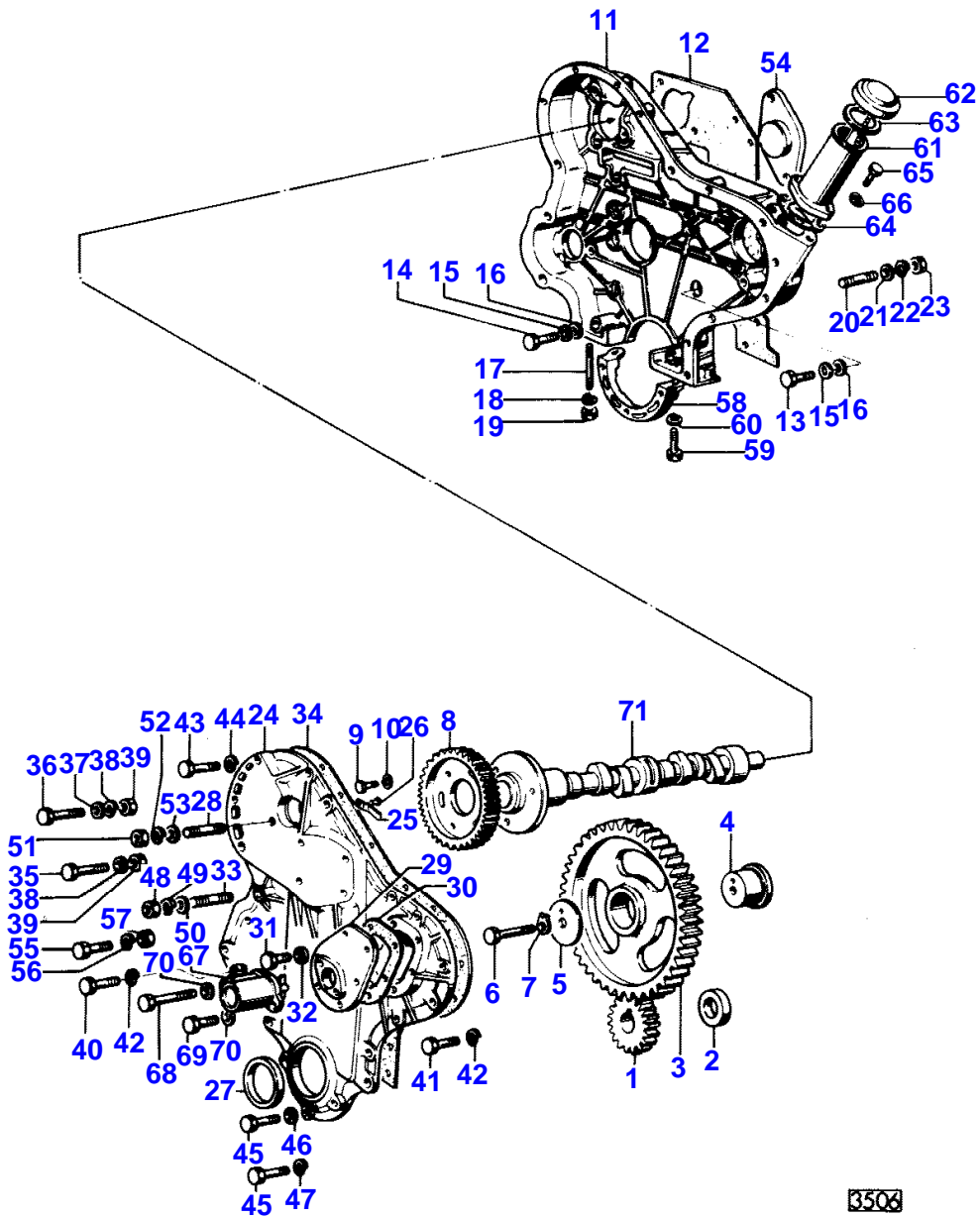
Item	Part Number	Qty	Description	Comments
				AD3.152
1	31431281	3	Valve Inlet	
2	31431591	3	Valve Exhaust	
3	33261723	6	Guide	
4	0780006	6	Spring	
5	33415133	6	Washer	
6	0150008	6	Cap	
7	33173115	12	Cotter	(A)
8	83135	1	Rocker Shaft	
9	53843	1	Rocker Shaft	8
10	0650507	2	Plug	9
11	0170033	2	Circlip	8
12	0101138	4	Bracket	8
13	0520429	3	Lever	8
14	0520430	3	Lever	8
15	0330505	4	Spacer	8
16	0780005	2	Spring	8
17	0780175	1	Spring	8
18	35568352	1	Pipe,Oil	8
19	0566002	1	Olive	18
20	0576111	1	Nut	18
21	0860012	6	Tappet	
22	0720677	6	Screw	
23	0576052	6	Nut	

(A)
SERVICE IN PAIRS

I8

TIMING GEAR
 DISTRIBUTION
 STEUERUNG
 DISTRIBUZIONE
 DISTRIBUCION

AD3.I52
 AD3.I52
 AD3.I52
 AD3.I52
 AD3.I52



MASSEY FERGUSON

MF 134 C CRAWLER - 1423888

1423888

TIMING GEAR - AD3.152

18

Item	Part Number	Qty	Description	Comments
				AD3.152
1	0410132	1	Gear,Crankshaft	
2	0330811	1	Spacer	
3	31164362	1	Gear,Idler	
4	0995447	1	Hub	
5	0940738	1	Plate	
6	0095199	1	Screw	
7	0920883	1	Washer	
8	0410241	1	Gear,Camshaft	
9	0746214	3	Screw	
10	0920053	3	Washer	
11	37161481	1	Timing Case	
12	36814119	1	Joint	
13	0746355	12	Screw	
14	0096234	2	Bolt	
15	0920299	14	Washer	
16	33114118	14	Shim	
17	0826265	2	Stud	
18	0920053	2	Washer	
19	0576002	2	Nut	
20	0827619	3	Stud	
21	0920003	3	Washer	
22	0920053	3	Washer	
23	0576002	3	Nut	
24	90563	1	Cover	
25	0780067	1	Spring	24
26	2126466	1	Rivet	24
27	2414111	1	Seal	24
28	0827622	1	Stud	24
29	37523171	1	Cover	24
30	36862512	1	Joint	24
31	0748353	6	Screw	24
32	2411151	6	Washer	24
33	0827622	1	Stud	24
34	36813136	1	Joint	
35	0096213	2	Bolt	
36	0096242	1	Bolt	
37	0920003	1	Washer	
38	0920053	3	Washer	
39	0576002	3	Nut	
40	0748354	1	Screw	
41	0748353	8	Screw	
42	0920052	9	Washer	
43	0748414	2	Setscrew	
44	0920053	2	Washer	
45	0748405	3	Screw	
46	2411152	1	Washer	
47	0920053	2	Washer	
48	0576002	1	Nut	
49	0920053	1	Washer	
50	0920497	1	Washer	
51	0576002	1	Nut	
52	0920053	1	Washer	
53	0920460	1	Spacer	
54	37461104	1	Plate	
55	0748510	2	Bolt	
56	0920054	2	Washer	
57	2238153	2	Nut	
58	37354312	1	Timinggear Cover	
59	0096232	2	Bolt	
60	0920053	2	Washer	
61	35784123	1	Filler	
62	2487854	1	Cap	61
63	24870001	1	Joint	62
64	36837413	1	Joint	
65	0746254	2	Setscrew	
66	2411152	2	Washer	
67	2758346	1	Angle Drive	
68	0748353	1	Screw	
69	0748357	1	Screw	

MASSEY FERGUSON

MF 134 C CRAWLER - 1423888

1423888

TIMING GEAR - AD3.152

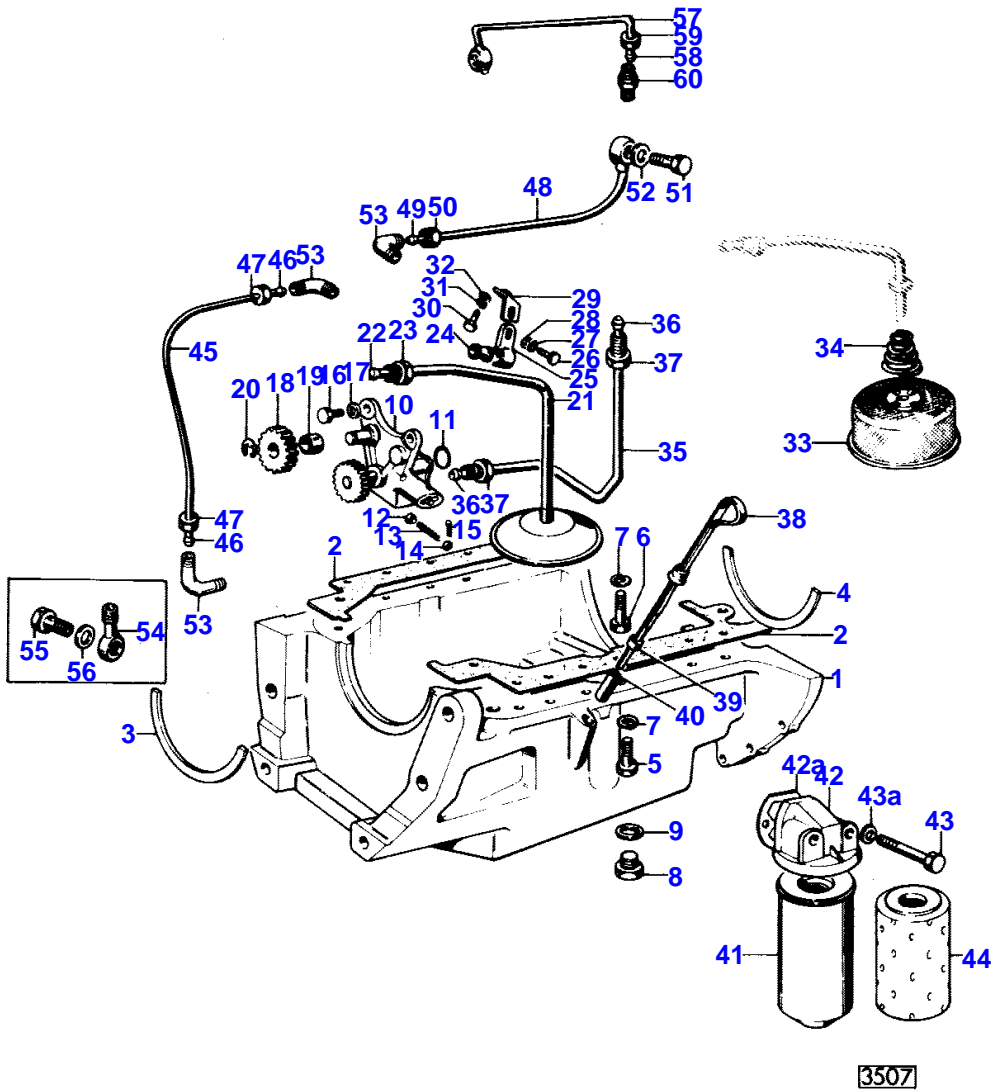
18

Item	Part Number	Qty	Description	Comments
70	2411151	2	Washer	
71	31415261	1	Camshaft	

24

LUBRICATING OIL SYSTEM
 LUBRICATION
 SCHMIEREINRICHTUNG
 LUBRIFICAZIONE
 LUBRICATION

AD3.152
 AD3.152
 AD3.152
 AD3.152
 AD3.152



Buy Now



Our support email:

ebooklibonline@outlook.com