

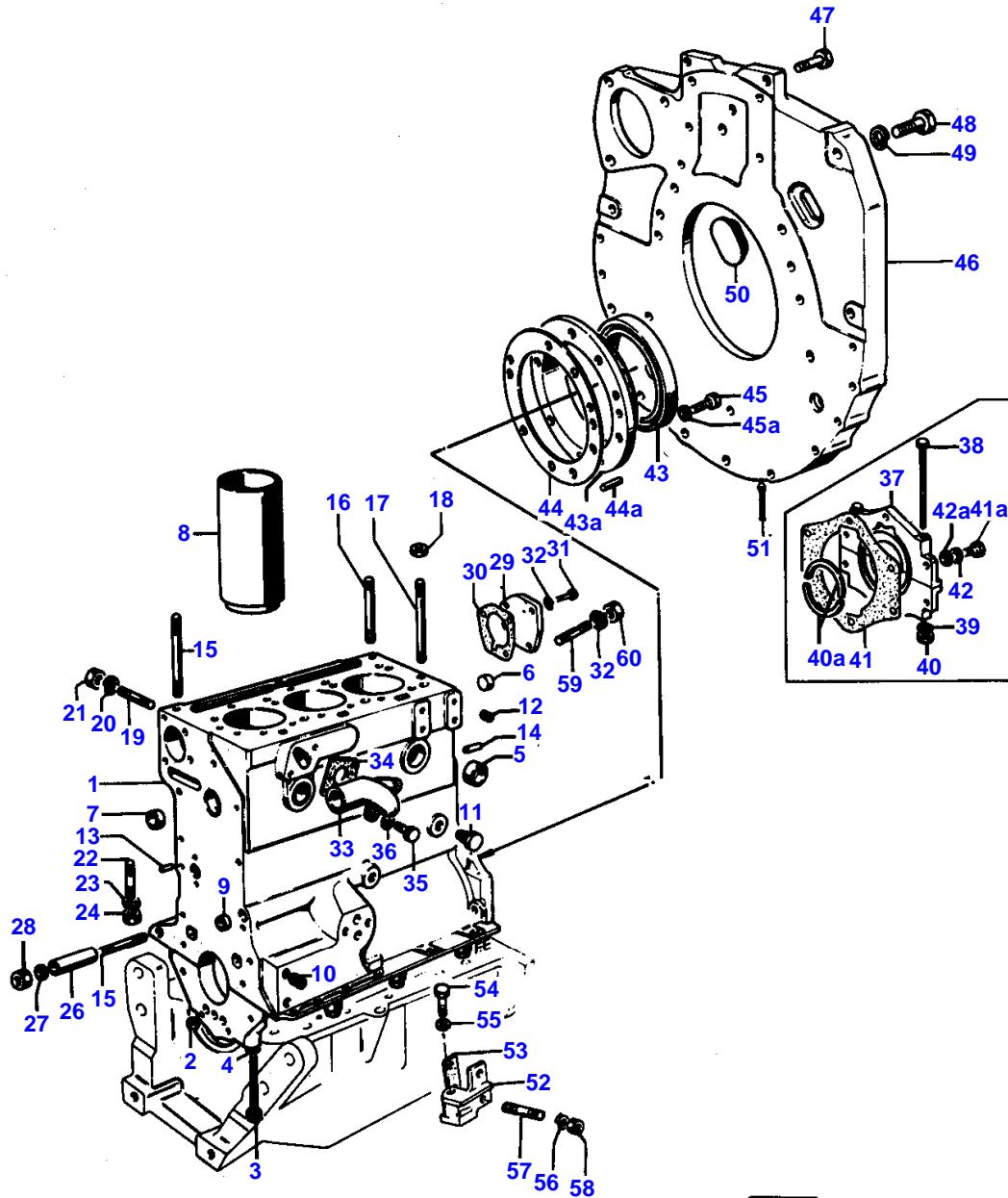
Page Title	Page Number
CYLINDER BLOCK - AD3.152	2
CRANKSHAFT & FLYWHEEL - AD3.152	6
CYLINDER HEAD AND COVER - AD3.152	8
ROCKER ARM - AD3.152	10
TIMING GEAR - AD3.152	12
LUBRICATING OIL SYSTEM - AD3.152	16
WATER PUMP - AD3.152	20
FUEL PIPINGS - AD3.152	22
FUEL FILTER	24
FUEL LIFT PUMP - AD3.152	26
FUEL LIFT PUMP - AD3.152	28
STARTER MOTOR - AD3.152	30
GENERATOR - AD3.152	32
ALTERNATOR - AD3.152	34
KIT GASKETS - AD3.152	36
ENGINE - AD3.152	38
FUEL TANK	40
RADIATOR	42
INDUCTION MANIFOLD	44
AIR FILTER - WET	46
AIR FILTER - DRY	48
EXHAUST MANIFOLD AND MUFFLER - AD3.152	50
ENGINE CONTROLS	52
ELECTRICAL EQUIPMENT	56
ELECTRICAL EQUIPMENT	60
BATTERY	62
LIGHTS	64
INSTRUMENT PANEL	68
DUAL CLUTCH - LUK TYPE	70
DUAL CLUTCH - O.M.G.	72
CLUTCH CONTROL	74
CENTRE AXLE HOUSING AND TRANSMISSION HOUSING	78
SYNCHRO-MESH TRANSMISSION	80
CONTROLS AND TRANSMISSION LEVERS	84
REDUCER	86
REDUCER CONTROL	88
POWER TAKE OFF - STD LINKAGE	90
POWER TAKE OFF - 540/1000 R.P.M.	94
DRIVE PULLEY	98
DIFFERENTIAL	100
REAR AXLE-HOUSING	102
BRAKES AND BRAKING CONTROL	104
BRAKING CONTROL	110
BRAKES AND CONTROLS	112
BRAKES AND CONTROLS	114
HAND BRAKE	118
HAND BRAKE	120
HAND BRAKE	122
RIM & TIRES	126
STEERING - MECHANICAL	128
STEERING - HYDROSTATIC	130
STEERING CONTROL VALVE	136
STEERING CONTROL VALVE	138

TABLE OF CONTENT

STEERING PUMP	140
STEERING CYLINDER	142
HYDRAULIC LIFT PUMP AND LINES	144
OIL PUMP - HYDRAULIC LIFT	148
HYDRAULIC CONTROL VALVE - HYDRAULIC LIFT	150
HYDRAULIC LIFT	154
LIFT CONTROL	158
LIFT CONTROL	162
PIPINGS AUXILIARY VALVE	166
PIPINGS AUXILIARY CONTROL VALVES	168
PIPINGS AUXILIARY CONTROL VALVES	170
ADDITIONAL POWER OUTLET UNIT	174
AUXILIARY CONTROL VALVE	176
AUXILIARY CONTROL VALVE - STD	178
AUXILIARY CONTROL VALVE - FLOATING	180
VALVE - HYDRAULIC EQUIPMENT	182
LINKAGE CAT 2	184
LINKAGE CAT 2	188
LINKAGE	192
REAR HOOK	194
REAR HOOK	196
DRAWBAR	198
FRONT WEIGHTS	200
ENGINE HOOD	202
HARDNOSE AND GRILLES	206
HARDNOSE AND GRILLES	208
FENDERS - SEAT - PLATFORM	210
REAR FENDERS	212
FRONT FENDERS	214
FRONT FENDERS	216
GUARD ENGINE	218
SAFETY FRAME	220
SAFETY FRAME	222
SEAT - GRAMMER	224
SEAT - BRENDEL	226
DECALS	228
TRANSFER GEAR BOX	230
TRANSFER GEAR BOX	234
FRONT AXLE - HOUSING - DIFFERENTIAL	236
FRONT AXLE - FINAL DRIVE	240
TOOL GROUP	244
FENDERS AND FOOT STEPS	246
FENDERS AND PLATFORM BRACKETS	250
CAB - UPPER AND BOTTOM FRAME	252
CAB - DOORS	254
CAB - WINDOWS	258
CAB - SCREEN WIPER AND AIR FILTER	262
CAB - INSULATORS AND FACING :	266
CAB - HEATER	270

2

<p>BLOCCO CILINDRI BLOC MOTEUR KURBELGEHAEUSE BLOQUE DE CILINDROS CYLINDER BLOCK</p>	<p>A4.236 A4.236 A4.236 A4.236 A4.236</p>
--	---



4050

CYLINDER BLOCK - AD3.152

Item	Part Number	Qty	Description	Comments
				AD3.152
1	91049	1	Block	Up to Serial or Engine Number 152UA391043DL
	41423425	1	Cylinder Block	(D)
	64573	1	Cylinder Block	From Serial or Engine Number U635848G
2	0870001	8	Thimble	1
3	32181441	8	Screw	Up to Serial or Engine Number 152UA391043DL
				1
3	32181448	6	Screw	From Serial or Engine Number 182UA391044DL
				1
3	32181442	2	Screw	From Serial or Engine Number 182US391044DL
				1
4	2415608	2	O Ring	From Serial or Engine Number 152UA391044DL
				1
5	0650563	4	Plug	1
6	0650664	1	Plug	1
7	0650710	1	Plug	1
8	31358345	3	Liner	1
	31358351	3	Liner	(C)
9	0650566	2	Plug	
10	32114471	3	Plug	
11	32161114	1	Plug	
12	32114451	2	Plug	
13	0350005	1	Dowel	
14	0350016	2	Dowel	
15	32524131	3	Stud	Up to Serial or Engine Number 152UA431804DL
16	32524132	6	Stud	Up to Serial or Engine Number 152US431804DL
17	32524133	9	Stud	Up to Serial or Engine Number 152UA431804DL
	32524132	2	Stud	From Serial or Engine Number 152UA431805DL
18	33221315	18	Nut	Up to Serial or Engine Number 152UA431804DL
	33221329	2	Nut	From Serial or Engine Number 152UA431805DL
19		X	Stud	See Page - Reference Number 27-29
20		X	Washer	See Page - Reference Number 27-29
21		X	Nut	See Page - Reference Number 27-29
22	0826285	1	Stud	
23	0920053	1	Washer	
24	0576002	1	Nut	
25	363036X1	1	Screw	
26	33266125	1	Spacer	
27	33121417	X	Shim	Thickness 0,9MM
	33121416	X	Shim	Thickness 0,25MM
	0760050	X	Shim	Thickness 0,13MM
	33121415	X	Shim	Thickness 0,05MM
28	353427X1	1	Nut Unf	
29	37416753	1	Plate	
30	36862511	1	Joint	
31	0746253	3	Screw	Up to Serial or Engine Number U674951H
	0746253	2	Screw	From Serial or Engine Number U674952H
32	0920053	3	Washer	
33	0201045	1	Connection	
34	0490486	1	Joint	
35	0746255	2	Setscrew	
36	0920106	2	Washer	
37	41422034	1	Cover	(A)
38	0096243	2	Screw	(A)
39	0920053	2	Washer	(A)
40	0576002	2	Nut	(A)
40A	36883106	2	Seal	(A)
41	36817134	1	Joint	(A)
41A	0746354	6	Screw	(A)
42	0920299	6	Washer	(A)
42A	33114118	6	Shim	(A)
43	2418F475	1	Seal	(B)
43A	37424611	1	Housing	(B)
44	33826111	1	Joint	(B)
44A	0350015	2	Dowel	(B)
45	0746255	9	Setscrew	(B)
45A	0920003	9	Washer	(B)
46	37147974	1	Plate	
47	0720798	2	Screw	
48	0746454	6	Setscrew	

MASSEY FERGUSON

MF 254 TRACTOR, ->| 22210640 - 1426776

1426776

CYLINDER BLOCK - AD3.152

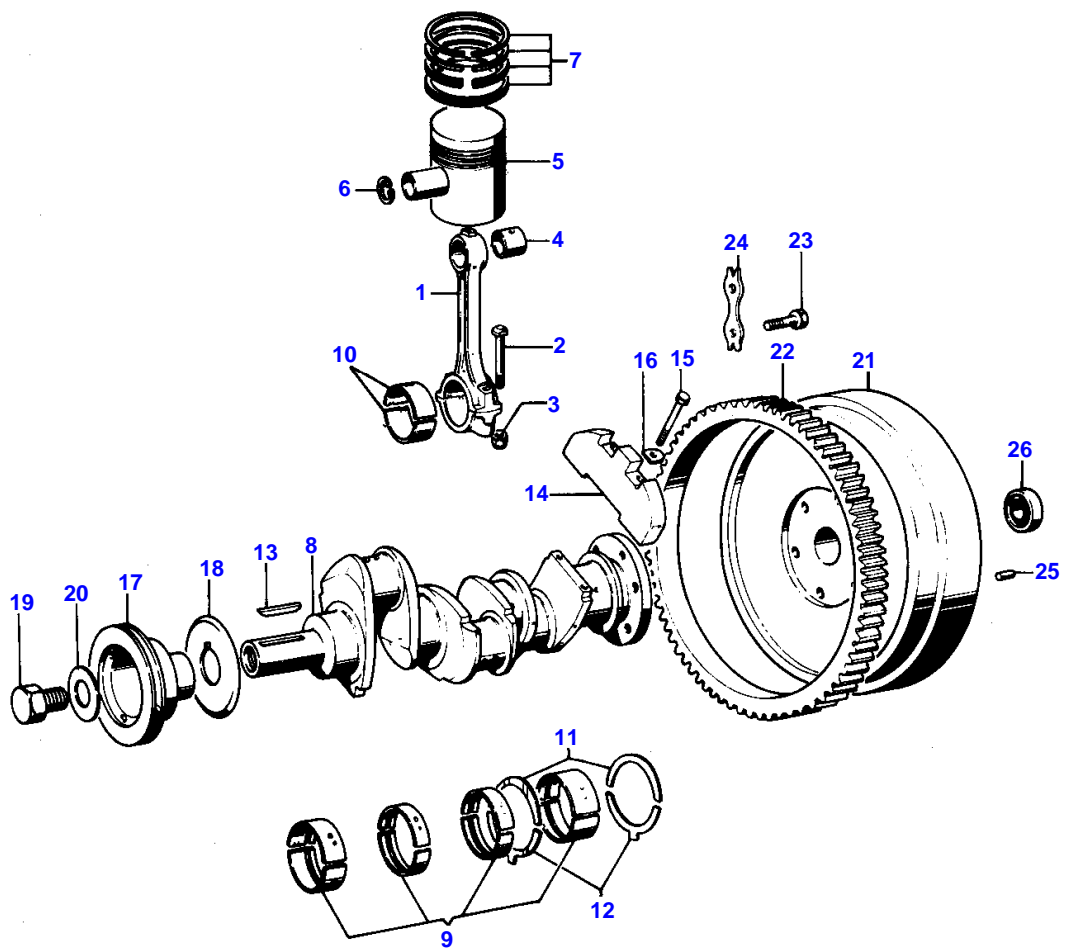
2

Item	Part Number	Qty	Description	Comments
49	0920054	6	Washer	
50	37813113	1	Plug	
51	0610045	1	Pin	
52	38156311	1	Bracket	
53	36113131	1	Spacer	
54	0097109	1	Bolt	
55	0920058	1	Washer	
56	0920056	2	Washer	
57	0826833	2	Stud	
58	0576005	2	Nut	
59	0826201	1	Stud	From Serial or Engine Number U674952H
60	0576002	1	Nut	From Serial or Engine Number U674952H (A) Up to Serial or Engine Number 152UA391043DL (B) From Serial or Engine Number 152UA391044DL (C) PRESS FITTING (D) From Serial or Engine Number 152UA391044DL Up to Serial or Engine Number U635847G

6

ALBERO MOTORE E VOLANO
 VILEBREQUIN ET VOLANT
 KURBELWELLE UND SCHWUNGRAD
 CIGUENAL Y VOLANTE
 CRANKSHAFT & FLYWHEEL

AD3.152
 AD3.152
 AD3.152
 AD3.152



3249

CRANKSHAFT & FLYWHEEL - AD3.152

Item	Part Number	Qty	Description	Comments
				AD3.152
1	M7BJ0014	3	Kit, Conrod	
2	0095250	6	Bolt	1
3	33221327	6	Nut	1
4	31134151	1	Bush	1
5	89214	3	Kit, Piston	
6	0170001	6	Circlip	5
7	41158065	3	Kit, Piston Ring	
8	84402	1	Crankshaft	Up to Serial or Engine Number 152UA391043DL
	94458	1	Kit, Crankshaft	From Serial or Engine Number 152US391044DL
9	68084	X	Kit, Bearing	8
	68083A	X	Bearing	(A) Thickness -0,254MM.
9	68083B	X	Bearing	(A) Thickness -0,508MM.
9	68083C	X	Bearing	(A) Thickness -0,762MM.
10	85036	X	Kit, Bearing	8
	85036A	X	Kit, Bearing	(A) Thickness -0,254MM.
10	85036B	X	Kit, Bearing	(A) Thickness -0,508MM.
10	85036C	X	Kit, Bearing	(A) Thickness -0,762MM.
11	31137211	2	Thrust Washer	8
	31137212	X	Washer	Thickness +0,178MM
12	31137221	2	Thrust Washer	
	31137222	X	Washer	Thickness +0,178MM.
13	36271704	1	Woodruff Key	
14	31328241	2	Weight	
15	2185189	4	Screw	
16	31731516	2	Washer	Left Hand
	31731515	2	Washer	Right Hand
17	31147788	1	Pulley	
18	33176137	1	Washer	
19	32162312	1	Screw	
20	33125112	1	Washer	
21	1825512M1	1	Flywheel	
22	0410236	1	Starter Ring	
23	973013M1	6	Bolt	
24	0921062	3	Tab Washer	
25	1817069M1	2	Pin	
26	339599X1	1	Bearing Ball	

(A)
BEARINGS ARE SEMIFINISHED

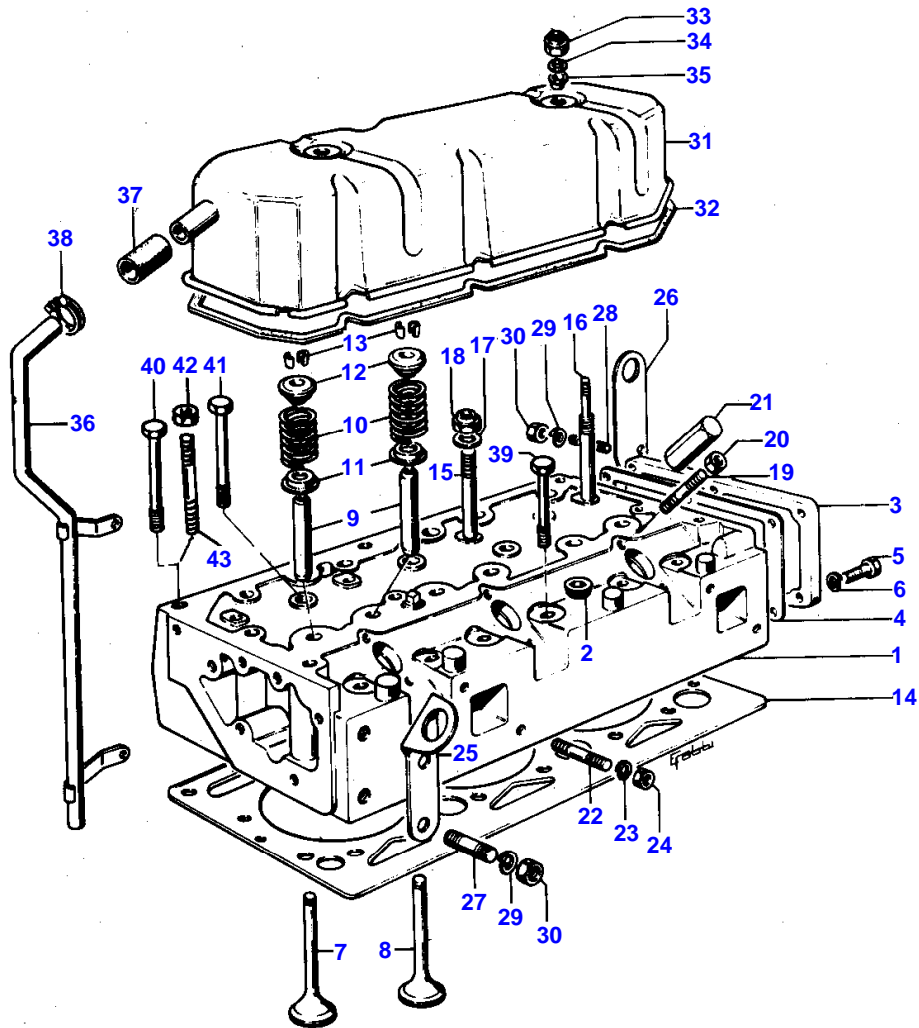
8

TESTA CILINDRI E COPERCHIO

CULASSE ET COUVERCLE
 ZYLINDERKOPF UND DECKEL
 CULATA Y TAPA
 CYLINDER HEAD AND COVER

AD3.152

AD3.152
 AD3.152
 AD3.152
 AD3.152



MASSEY FERGUSON

MF 254 TRACTOR, ->| 22210640 - 1426776

1426776

CYLINDER HEAD AND COVER - AD3.152

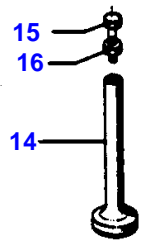
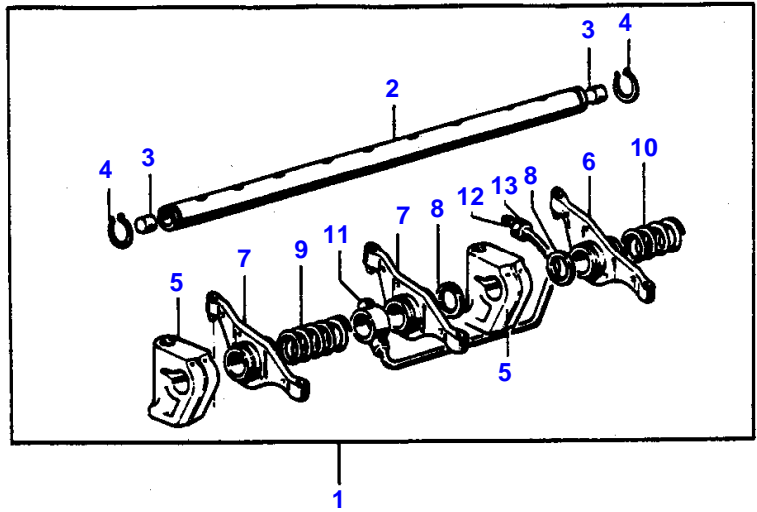
8

Item	Part Number	Qty	Description	Comments
				AD3.152
1	A5BD2722	1	Cylinder Head	
2	2431154	2	Plug	1
3	0940737	1	Plate	1
4	0490485	1	Joint	1
5	0746254	6	Setscrew	1
6	0920053	6	Washer	1
7	31431681	3	Valve Inlet	1
8	31431011	3	Valve Exhaust	1
9	33261723	6	Guide	1
10	0780006	6	Spring	1
11	33415133	6	Washer	1
12	0150008	6	Cap	1
13	0230001	12	Cotter	(A) 1
14	36812127	12	Gasket	
15	0826469	2	Stud	
16	32754412	2	Stud	
17	0920004	4	Washer	
18	2211283	4	Nut	
19	0826264	6	Stud	
20	0476002	3	Nut	
21	32726512	3	Nut	
22		4	Stud	See Page - Reference Number 50
23		4	Washer	See Page - Reference Number 50
24		4	Nut	See Page - Reference Number 50
25	36456321	1	Plate	
26	36531408	1	Plate	
27	0826462	2	Stud	
28	0826466	2	Stud	
29	0920054	4	Washer	
30	2188135	4	Nut	
31	37188557	1	Cyl.Head Cover	
32	36811115	1	Joint	33
33	0576102	2	Nut	
34	0920003	2	Washer	
35	0920302	2	Washer	
36	35732479	1	Pipe	
37	0202058	1	Hose	
38	2481863	2	Clip	
39	32181457	4	Screw	From Serial or Engine Number 152UA431805DL
40	32181445	3	Screw	(B)
41	32181458	9	Screw	From Serial or Engine Number 152UA431805DL
42	33221315	3	Nut	From Serial or Engine Number U64522H
43	32524148	3	Stud	From Serial or Engine Number U674952H
				(A)
				SERVICED IN PAIR
				(B)
				From Serial or Engine Number 152UA431805DL
				Up to Serial or Engine Number U674951H

10

ASSE E BILANCIERI
ARBRE CULBUTEURS
KIPPHEBELWELLE
EJE DE BALANCINES
ROCKER ARM

AD3.152
AD3.152
AD3.152
AD3.152
AD3.152



MASSEY FERGUSON

MF 254 TRACTOR, ->| 22210640 - 1426776

1426776

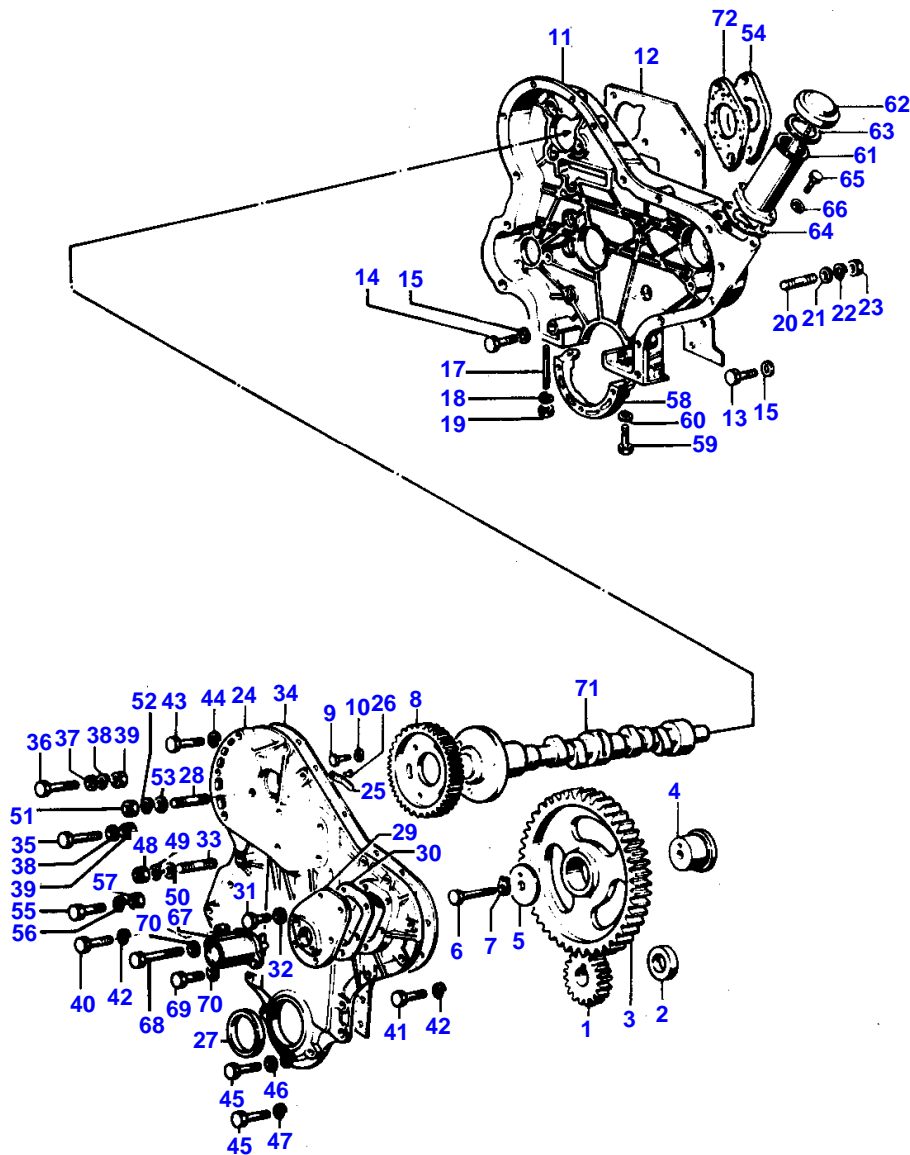
ROCKER ARM - AD3.152

10

Item	Part Number	Qty	Description	Comments
				AD3.152
1	83135	1	Rocker Shaft	
2	0750277	1	Shaft	1
3	0650507	2	Plug	2
4	0170033	2	Circlip	1
5	0101138	4	Bracket	1
6	0520429	3	Lever	Left Hand 1
7	0520430	3	Lever	Right Hand 1
8	0330505	4	Spacer	1
9	0780005	2	Spring	1
10	0780175	1	Spring	1
11	35568352	1	Pipe	1
12	0566002	1	Olive	11
13	0576111	1	Nut	11
14	0860012	6	Tappet	
15	0720677	6	Screw	
16	0576052	6	Nut	

12

DISTRIBUZIONE DISTRIBUTION STEUERUNG DISTRIBUCION TIMING GEAR	AD3.152 AD3.152 AD3.152 AD3.152
---	--



MASSEY FERGUSON

MF 254 TRACTOR, ->| 22210640 - 1426776

1426776

TIMING GEAR - AD3.152

12

Item	Part Number	Qty	Description	Comments
				AD3.152
1	0410132	1	Gear	Number of teeth/spines 25
2	0330811	1	Spacer	
3	31164362	1	Gear	Number of teeth/spines 90
4	0995447	1	Hub	
5	0940738	1	Plate	
6	0095199	1	Screw	
7	0920883	1	Washer	
8	0410241	1	Gear	Number of teeth/spines 50
9	0746214	3	Screw	
10	0920053	3	Washer	
11	37161481	1	Housing	
12	36814119	1	Joint	
13	0746355	12	Screw	
14	0096234	2	Bolt	
15	0920053	14	Washer	
17	0826265	2	Stud	
18	0920053	2	Washer	
19	0576002	2	Nut	
20	0827619	3	Stud	
21	0920003	3	Washer	
22	0920053	3	Washer	
23	0576002	3	Nut	
24	61800	1	Cover	Up to Serial or Engine Number U691707J
	A5FH0197	1	Cover	From Serial or Engine Number U691708J
25	0780076	1	Spring	Up to Serial or Engine Number U691707J
				24
25	3661P002	1	Spring	From Serial or Engine Number U691708J
				24
26	0690061	1	Rivet	Up to Serial or Engine Number U691707J
				24
26	2126151	1	Rivet	From Serial or Engine Number U691708J
				24
27	2414111	1	Seal	Up to Serial or Engine Number U691707J
				24
27	2415344	1	Seal	From Serial or Engine Number U691708J
				24
28	0827622	1	Stud	24
29	37523171	1	Cover	24
30	36862512	1	Joint	24
31	0748353	6	Screw	24
32	2411151	6	Washer	24
33	0827622	1	Stud	24
34	36813136	1	Joint	
35	0096213	2	Bolt	
36	0096242	1	Bolt	
37	0920003	1	Washer	
38	0920053	3	Washer	
39	0576002	3	Nut	
40	0748354	1	Screw	
41	0748353	8	Screw	
42	0920052	9	Washer	
43	0748414	2	Setscrew	
44	0920053	2	Washer	
45	0748405	3	Screw	
46	2411152	1	Washer	
47	0920053	2	Washer	
48	0576002	1	Nut	
49	0920053	1	Washer	
50	0920497	1	Washer	
51	0576002	1	Nut	
52	0920053	1	Washer	
53	0920460	1	Spacer	
54	37461104	1	Plate	
55	0748510	2	Bolt	
56	0920054	2	Washer	
57	2238153	2	Nut	
58	37354312	1	Cover	
59	0096232	2	Bolt	
60	0920053	2	Washer	

MASSEY FERGUSON**MF 254 TRACTOR, ->| 22210640 - 1426776****1426776****TIMING GEAR - AD3.152****12**

Item	Part Number	Qty	Description	Comments
61	35784123	1	Filler	
62	2487854	1	Cap	61
63	24870001	1	Joint	62
64	36837413	1	Joint	
65	0746254	2	Setscrew	
66	2411152	2	Washer	
67	2758346	1	Angle Drive	
68	0748353	1	Screw	
69	0748357	1	Screw	
70	2411151	2	Washer	
71	31415261	1	Camshaft	
72	36835413	1	Joint	

Buy Now



Our support email:

ebooklibonline@outlook.com