

Page Title	Page Number
ENGINE AND ACCESSORIES - UP TO SERIAL 11-1981	1
ENGINE AND ACCESSORIES - FROM 12-1981	2
CYLINDER BLOCK	3
CRANKSHAFT, PISTONS AND CONNECTING RODS - AD3.152 ENGINE	4
CYLINDER HEAD - AD3.152 ENGINE	5
ROCKER SHAFT - AD3.152 ENGINE	6
AIR INDUCTION AND EXHAUST SYSTEM - AD3.152 ENGINE	7
TIMING GEAR AND CAMSHAFT - AD3.152 ENGINE	8
LUBRICATING OIL SUMP - AD3.152 ENGINE	9
LUBRICATING OIL FILTER AND INTEGRAL COOLER - AD3.152 ENGINE	10
WATER PUMP, THERMOSTAT AND HEAT EXCHANGER	11
FUEL OIL LIFT PUMP - AD3.152 ENGINE	12
FUEL INJECTION EQUIPMENT (DIESEL) - AD3.152 ENGINE	13
JOINTS AND GASKETS - AD3.152 ENGINE	14
BATTERY	15
BATTERY	16
BATTERY	17
GENERATOR-DUCELLIER - UP TO SERIAL 11-1981	18
GENERATOR-PARIS RHONE - UP TO SERIAL 11-1981	19
GENERATOR-LUCAS - UP TO SERIAL 11-1981	20
ALTERNATOR-LUCAS - FROM SERIAL S165043	21
GUARDS PTO AND ALTERNATOR	22
ALTERNATOR POSITIONER - ENGINE- FROM 12-1981	23
STARTER-DUCELLIER	24
STARTER-DUCELLIER	25
STARTER-LUCAS	26
STARTER-PARIS RHONE	27
STARTER-LUCAS	28
STARTER-LUCAS	29
RADIATOR	30
FAN	31
FUEL TANK AND ATTACHMENTS	32
FUEL FILTERS AND PIPES	33
FUEL FILTER	34
AIR FILTER	35
EXHAUST SYSTEM	36
EXHAUST SYSTEM - SUPER NARROW	37
HAND THROTTLE CONTROL	38
THROTTLE CONTROLS	39
HAND THROTTLE CONTROL	40
SINGLE CLUTCH	41
DUAL CLUTCH	42
CLUTCH PEDAL AND LINKAGE - UP TO SERIAL NUMBER	43
CLUTCH PEDAL AND LINKAGE - FROM SERIAL NUMBER	44
CLUTCH PEDAL AND LINKAGE - CATCH PEDAL- FROM SERIAL NUMBER	45
8 SPEED SYNCHROMESH TRANSMISSION-HOUSING	46
8 SPEED SYNCHROMESH TRANSMISSION-CONTROL	47
8 SPEED SYNCHROMESH TRANSMISSION-GEAR TRAIN	48
8 SPEED SYNCHROMESH ZF TRANSMISSION-HOUSING	49
8 SPEED SYNCHROMESH TRANSMISSION-SHIFT CONTROL - SYNCHRO- ZF	50
8 SPEED SYNCHROMESH ZF TRANSMISSION-FORK AND GEARSHIFT RAIL	51
8 SPEED SYNCHROMESH ZF TRANSMISSION-MAIN SHAFT	52
8 SPEED SYNCHROMESH ZF TRANSMISSION-SYNCHROMESH	53
8 SPEED SYNCHROMESH ZF TRANSMISSION-COUNTER SHAFT	54
EPICYCLIC UNIT-NORMAL DUTY	55
PTO SHAFT - LIVE PTO	56
PTO SHAFT - WITH IPTO	57
PTO-CONTROL - WITH INDEPENDANT P.T.O	58
PTO-CONTROL - LIVE PTO	59
IPTO-PIPES AND COVER	60
IPTO-CLUTCH AND VALVES	61
IPTO-CLUTCH AND VALVES - UP TO SERIAL NO	62
IPTO-CLUTCH AND VALVES - FROM SERIAL NUMBER	63
REAR AXLE CENTRE HOUSING	64
REAR AXLE CENTRE HOUSING - ASSEMBLING PARTS	65
REAR AXLE-ATTACHMENTS	66

TABLE OF CONTENT

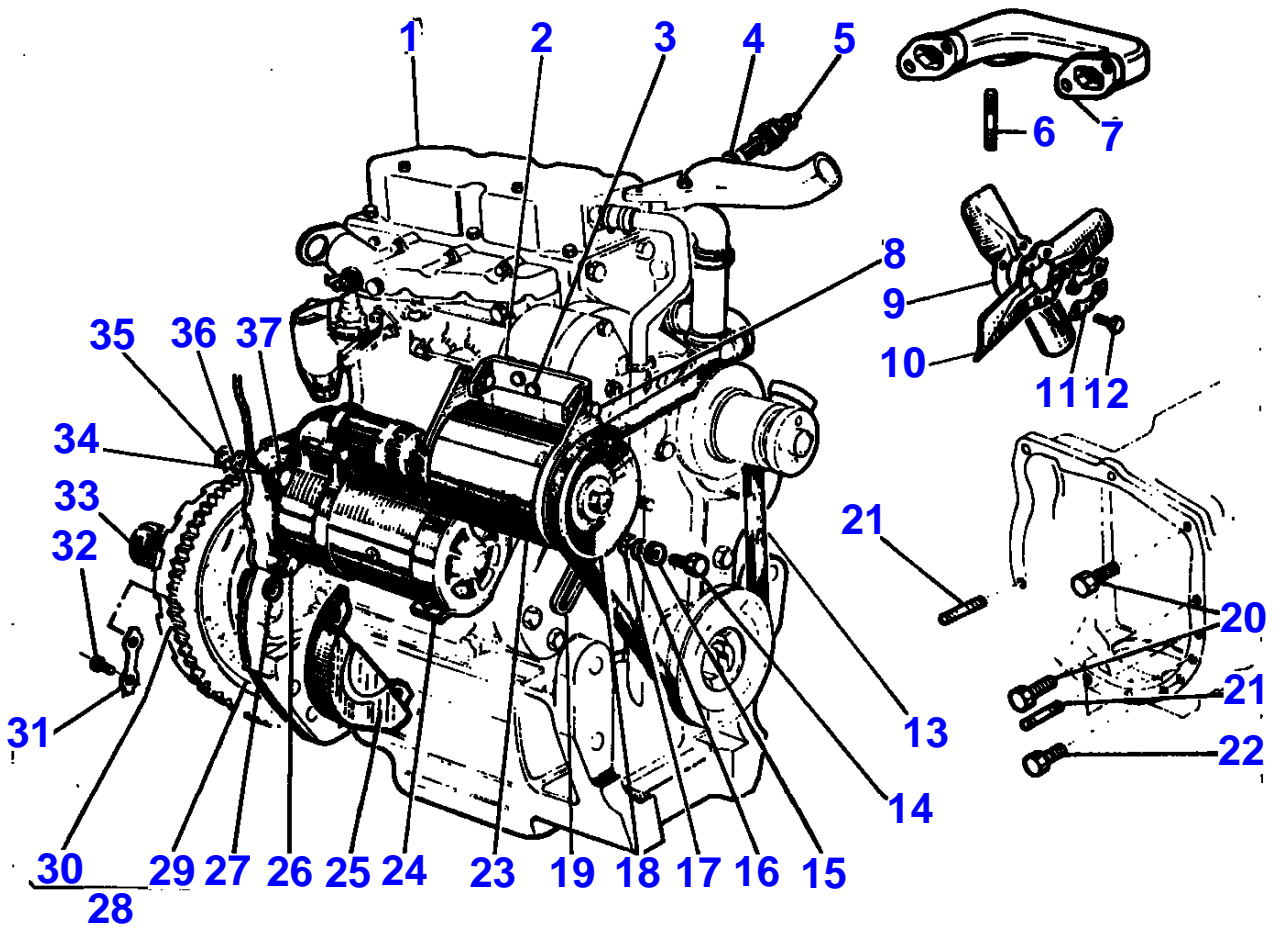
REAR AXLE-DIFFERENTIAL	67
REAR AXLE-DIFFERENTIAL	68
REAR AXLE-DIFFERENTIAL LOCK MECHANISM	69
REAR AXLE- DIFFERENTIAL LOCK PEDAL	70
REAR AXLE-DIFFERENTIAL LOCK MECHANISM - FROM SERIAL- SHIFT CONTROL	71
REAR AXLE-DIFFERENTIAL LOCK MECHANISM - UP TO SERIAL NUMBER- SHIFT CONTROL	72
REAR AXLE-HOUSING	73
REAR AXLE-HOUSING - UP TO SERIAL NO- GERMANY	74
DISC BRAKES - 3 DISC	75
DRUM BRAKES - GERMANY	76
BRAKE PEDALS AND LINKAGE	77
BRAKE PEDALS AND LINKAGE - GERMANY	78
BRAKE PEDALS AND LINKAGE - UP TO SERIAL NUMBER	79
BRAKE PEDALS AND LINKAGE - FROM SERIAL NUMBER	80
BRAKE PEDALS AND LINKAGE - FROM SERIAL DU 10/1981- WITH HANDBRAKE	81
HANDBRAKE - ITALY- EUROPE EXPORT-UP TO SERIAL	82
HANDBRAKE - UP TO SERIAL NUMBER	83
HANDBRAKE - FROM SERIAL 10/1981	84
REAR WHEELS - UP TO SERIAL NO T.140002	85
REAR WHEELS - FROM SERIAL NO T.140003	86
POWER ASSISTED VARIABLE TRACK WHEEL	87
POWER ASSISTED VARIABLE TRACK WHEEL	88
FRONT WHEELS	89
FRONT AXLE - WHEEL HUB- SUPER NARROW- UP TO SERIAL NUMBER S 253 018	90
FRONT AXLE - WHEEL HUB- SPECIAL- FROM SERIAL NUMBER S 253019	91
FRONT AXLE - SUPER NARROW- UP TO SERIAL NUMBER S 253018	92
FRONT AXLE - SPECIAL- FROM SERIAL NUMBER S 253019	93
FRONT AXLE - WHEEL HUB- VINEYARD	94
FRONT AXLE - VINEYARD	95
AXLE SUPPORT - UP TO SERIAL NO	96
AXLE SUPPORT - FROM SERIAL NUMBER	97
STEERING WHEEL	98
STEERING GEAR - BOX	99
STEERING GEAR	100
STEERING GEAR	101
STEERING LINKAGE - SPECIAL	102
STEERING LINKAGE - VINEYARD	103
BREATHING FILTER	104
HYDRAULICS - WITHOUT BREATHING FILTER- SPECIAL	105
HYDRAULIC PUMP DRIVE	106
HYDRAULIC PUMP-SINGLE-PLESSEY	107
HYDRAULIC PUMP-DUAL-WARNER MOTIVE	108
HYDRAULIC PUMP-DUAL-PLESSEY	109
HYDRAULIC PUMP-DUAL-AIR EQUIPMENT	110
HYDRAULIC PUMP-DUAL-AIR EQUIPMENT	111
HYDRAULIC PUMP-DUAL-AIR EQUIPMENT	112
INTERNAL LINES - AUXILIARY HYDRAULIC	113
INTERNAL LINES - AUXILIARY HYDRAULIC- WITH BREATHING FILTER	114
INTERNAL LINES - 8 SPEED - 12 SPEED	115
INTERNAL LINES - WITH AUXILIARY PUMP	116
OIL FILTER	117
OIL FILTER - PIPE- UP TO SERIAL NO...	118
HYDRAULIC LINE - MICRONIC FILTRATION- - WITHOUT OIL COOLER- FROM SERIAL NUMBER	119
DISTRIBUTOR - KONTAK	120
DISTRIBUTOR - KONTAK-DELIVERY	121
HYDRAULIC PUMP-BODY SHAFT PISTON	122
HYDRAULIC PUMP-BODY SHAFT PISTON - LOW FLOW-WITHOUT AUXILIARY PUMP- WITHOUT PRESSURE MODULATION-WITHOUT SIDE PTO	123
HYDRAULIC PUMP-STRAINER UNIT	124
HYDRAULIC PUMP-STRAINER UNIT - WITHOUT PRESSURE MODULATION- MARK III	125
HYDRAULIC PUMP-STRAINER UNIT - WITH BREATHING FILTER	126
HYDRAULIC PUMP-OSCILLATOR VALVE	127
HYDRAULIC PUMP-PRESSURE CONTROL VALVE	128
HYDRAULIC LIFT COVER	129
QUADRANT AND CONTROL LEVERS - UP TO- 01/04/1977	130
QUADRANT AND CONTROL LEVERS	131
QUADRANT AND CONTROL LEVERS - CONTROL SHAFT	132
RESPONSE CONTROLS	133
LIFT ARMS	134

TABLE OF CONTENT

00

LIFT ARMS - RAM-UP TO 12-81	135
LIFT ARMS - RAM-FROM 12-81	136
LIFT ARMS - DRAFT AND POSITION CONTROLS	137
TOP LINKS - UPPER LINK-SCALE	138
LOWER LINKS - BOTTOM BAR	139
LOWER LINKS - LEVELLING BOX	140
LOWER LINKS - CHAIN	141
LOWER LINKS - STAY-HITCH BAR	142
FRONT HITCH	143
SHEET METAL-GRILLE	144
SHEET METAL-HOOD	145
SHEET METAL-HOOD - HOOD NOSE- OLD MOUNTING	146
SHEET METAL-INSTRUMENT PANEL	147
SHEET METAL-INSTRUMENT PANEL - INSTRUMENT CHROME- UP TO SERIAL	148
SHEET METAL-INSTRUMENT PANEL - INSTRUMENT BLACK- FROM SERIAL	149
SHEET METAL-INSTRUMENT PANEL - INSTRUMENTS	150
SHEET METAL-SHEEL FENDERS - UP TO SERIAL NUMBER	151
SHEET METAL-SHEEL FENDERS - FROM SERIAL NUMBER	152
SHEET METAL-SHEEL FENDERS - VINEYARD	153
SAFETY FRAME	154
FOOTSTEP - SPECIAL	155
FOOTSTEP - VINEYARD	156
SEAT-SABLE - SPECIAL	157
SEAT-SABLE - UP TO SERIAL NO J251044	158
SEAT-SABLE	159
SEAT-BOSTROM - XL MINI BALTIC	160
SEAT-BOSTROM - XH MINI BALTIC	161
TRANSFERS	162
SPEED CHARTS	163
WIRING - ENGINE- FROM 12-1981	164
WIRING - FROM SERIAL NO J215046	165
WIRING - VINEYARD	166
WIRING	167
REAR LIGHTING EQUIPMENT - VINEYARD	168
REAR LIGHTING EQUIPMENT - SIGNALLING	169
ELECTRICAL WIRING	170
ELECTRICAL WIRING - HORN	171
FRONT LIGHTING EQUIPMENT	172
REAR LIGHTING EQUIPMENT - WORKING LIGHT	173
REAR LIGHTING EQUIPMENT - LICENSE PLATE GERMANY- SUPER NARROW	174
REAR LIGHTING EQUIPMENT - LICENSE PLATE	175

1-0010-017



ENGINE AND ACCESSORIES - UP TO SERIAL 11-1981

Item	Part Number	Qty	Description	Comments
				UP TO SERIAL 11-1981
1	1808124M3	1	Engine	Without or not For Germany only or any text in German only AD3.152 PEL - CE21690
1	1869373M1	1	Engine	For Germany only or any text in German only AD3.152 PEL - CE21906
2	962180M1	1	Bearer	
3	353690X1	2	Screw Unc	
	353756X1	2	Washer	
	353434X1	2	Lock Washer	
4	2411157	1	Washer	
5	963418M1	1	Gauge	
6	0826403	3	Stud	
7	37781341	1	Exhaust Manifold	
8	353521X1	2	Bolt Unf	
	353916X1	2	Nut Unf	
	353446X1	2	Lock Washer	
9	963929M1	1	Blade Fan	
10	963930M1	1	Blade Fan	
11	897057M1	2	Brake	
12	361444X1	4	Screw	
13	962184M2	1	Belt	
14	353521X1	1	Bolt Unf	DUCELLIER PARIS-RHONE
14	353680X1	1	Screw Unc	For Germany only or any text in German only EE LUCAS
15	353446X1	1	Lock Washer	DUCELLIER PARIS-RHONE
15	353446X1	2	Lock Washer	For Germany only or any text in German only EE LUCAS
16	353755X1	1	Washer	DUCELLIER PARIS-RHONE
16	353755X1	2	Washer	For Germany only or any text in German only EE LUCAS
17	353916X1	1	Nut Unf	DUCELLIER PARIS-RHONE
17	353565X1	1	Bolt Unf	For Germany only or any text in German only EE LUCAS
18		1	Pulley	(A) DUCELLIER PARIS-RHONE
18	960028M1	1	Pulley	For Germany only or any text in German only EE LUCAS
19	962181M1	1	Lever	
20	362491X1	2	Screw	
21	191314M1	2	Centraliser	Repairs and replaces 825302M1
22	362499X1	8	Screw	
23		1	Dynamo	See Page - Reference Number 18/001
		1	Dynamo	See Page - Reference Number 19/001
		1	Dynamo	See Page - Reference Number 20/001
				For Germany only or any text in German only EE
24		1	Startermotor	See Page - Reference Number 24/001
		1	Startermotor	See Page - Reference Number 27/001
		1	Startermotor	See Page - Reference Number 28/001
				For Germany only or any text in German only EE
25	892639M92	1	Cowl	
26	362501X1	2	Screw	
27	353432X1	2	Lock Washer	
28	41112797	1	Flywheel	
29		1	Flywheel	(28) Not serviced, order 41112797
30	0410236	1	Starter Ring	(28)
31	0921062	3	Tab Washer	
32	32162203	6	Screw	
33	828123M1	1	Bearing Assy	
34		1	Cable	(A)
	969112M1	1	Cable	For Germany only or any text in German only EE

MASSEY FERGUSON

MF 152 MKIII/152 V/S TRACTORS - 1637004

1637004

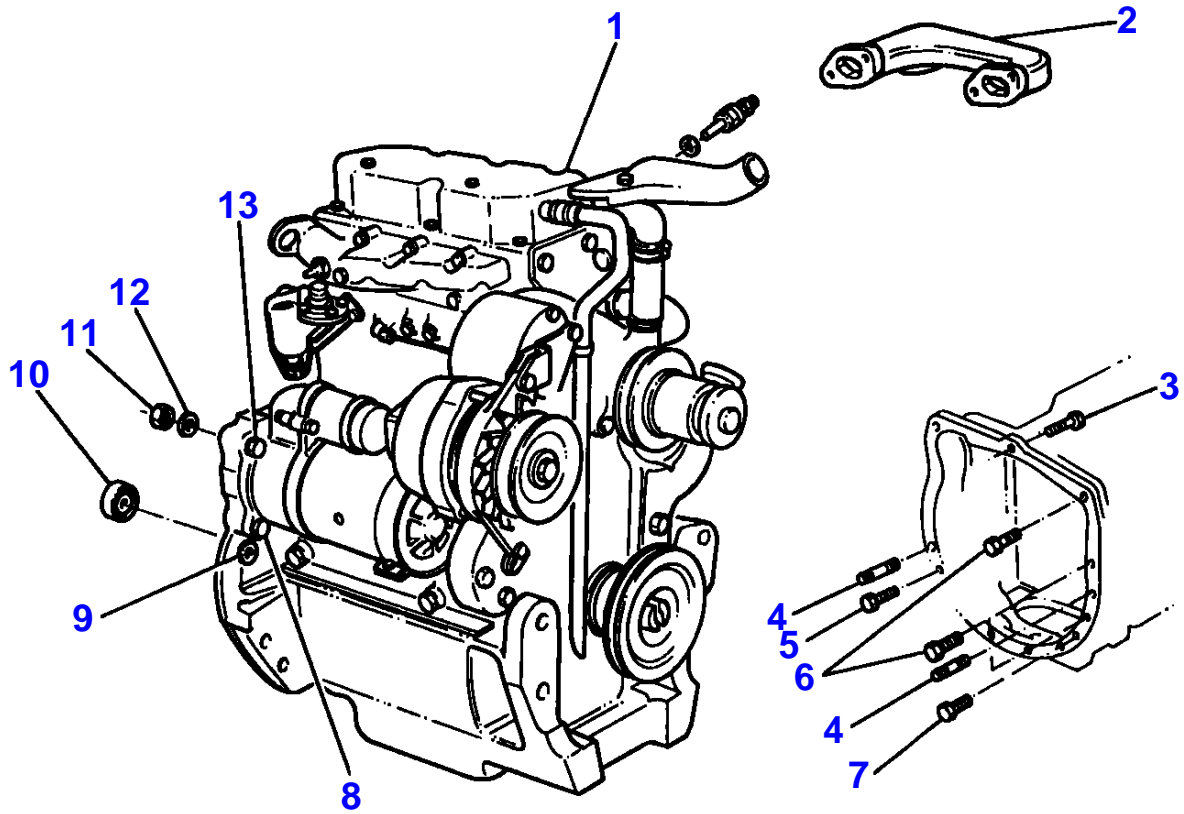
ENGINE AND ACCESSORIES - UP TO SERIAL 11-1981

1

Item	Part Number	Qty	Description	Comments
				LUCAS
35	363625X1	1	Nut	
36	353432X1	1	Lock Washer	
37	361773X1	1	Screw	

(A)  
NOT FITTED ON THIS APPLICATION

1-0010-084



**MASSEY FERGUSON****MF 152 MKIII/152 V/S TRACTORS - 1637004**

1637004

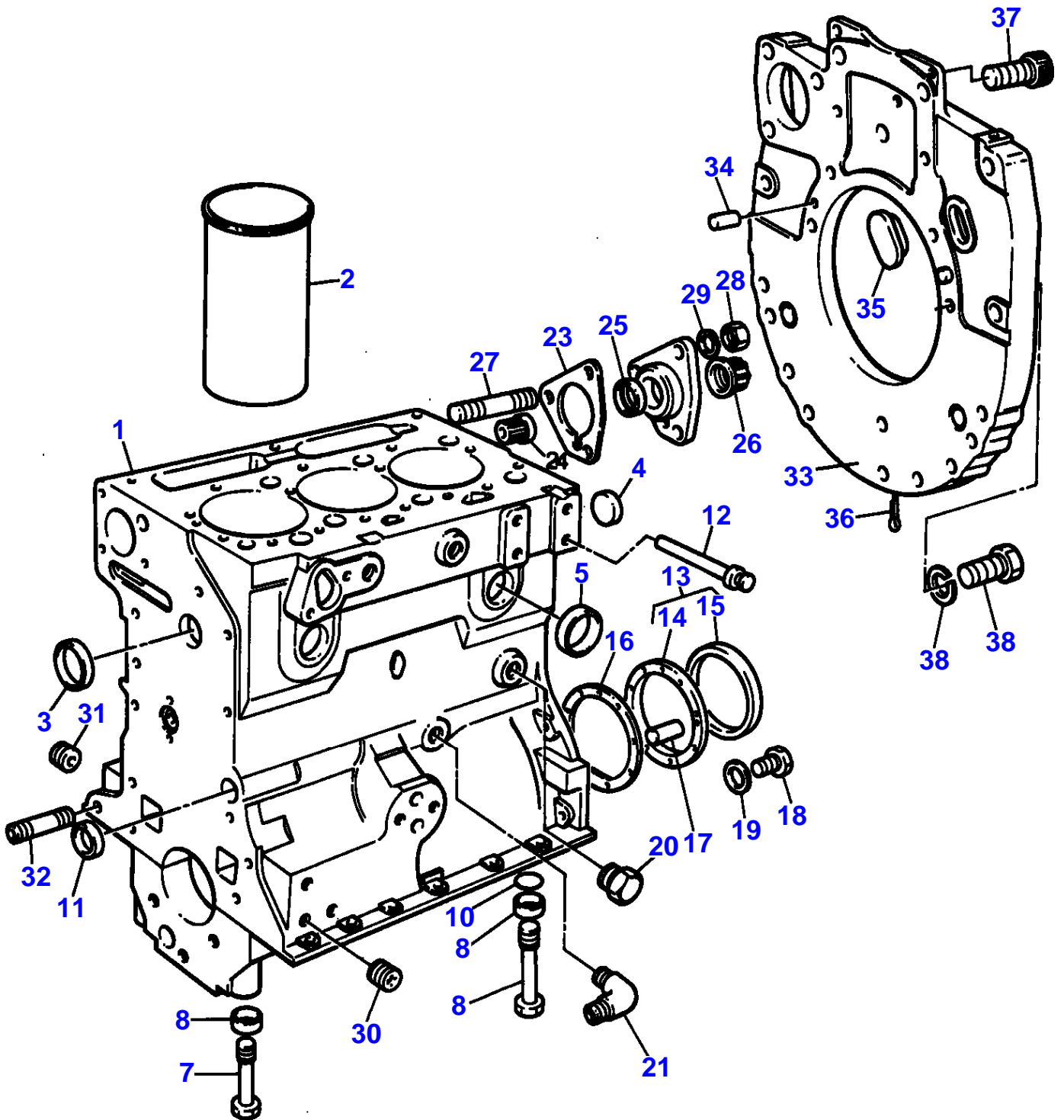
**ENGINE AND ACCESSORIES - FROM 12-1981**

2

Item	Part Number	Qty	Description	Comments
				FROM 12-1981
1	1808124M3	1	Engine	AD3.152 PEL - CE21690
2	37781341	1	Exhaust Manifold	Repairs and replaces 734874M1
3	362479X1	1	Screw	
4	191314M1	2	Centraliser	Repairs and replaces 825302M1
5	353710X1	1	Bolt Unc	
6	362491X1	2	Screw	
7	362499X1	8	Screw	
8	362501X1	2	Screw	
9	353432X1	2	Lock Washer	
10	828123M1	1	Bearing Assy	
11	363625X1	1	Nut	
12	353432X1	1	Lock Washer	
13	361773X1	1	Screw	



C-0560-17M - A



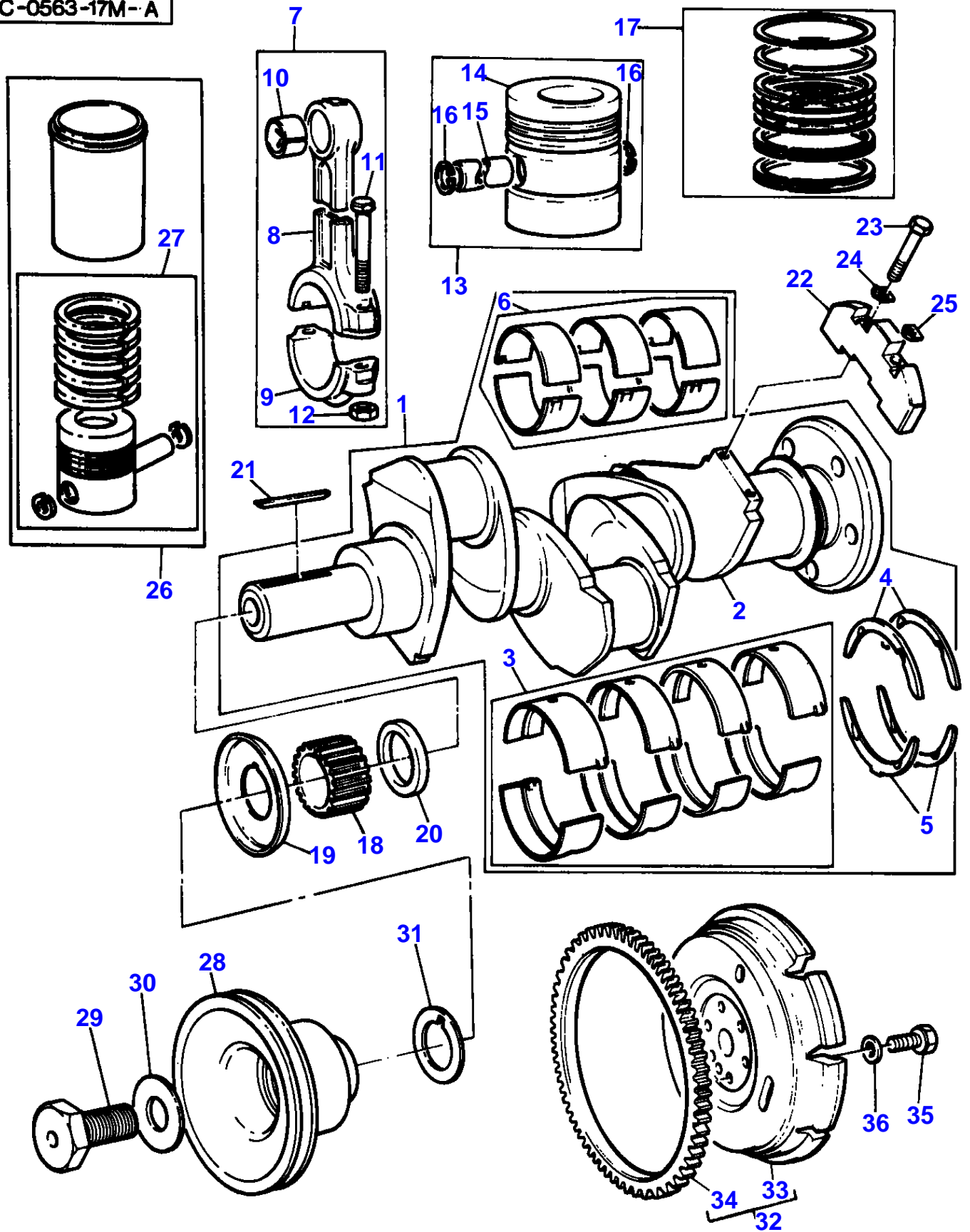
CYLINDER BLOCK

Item	Part Number	Qty	Description	Comments
1	ZZ 50170	1	Kit,Cyl.Block	Repairs and replaces ZZ50107 Repairs and replaces U5BA0008
2	31358323	3	Liner	(1) (A)
2	31358345	X	Liner	(B)
	31358384	X	Liner	0.010"0,25MM O/S
2	31358357	X	Liner	0.030"0,76MM O/S
3	0650710	1	Plug	(1)
4	0650664	1	Plug	(1)
5	0650563	4	Plug	(1)
6	33137408	6	Thimble	(1)
7	32181441	6	Screw	(1)
8	33137408	2	Thimble	(1)
9	32181442	2	Screw	(1)
10	2415608	2	O Ring	(1)
11	0650566	2	Plug	(1)
12	2485A204	1	Plug	(1)
13	4142V002	1	Housing	
14		1	Housing	(13) Not serviced, order REF.13
15	2418F475	1	Seal	(13)
16	33826111	1	Joint	
17	0350015	2	Dowel	
18	0746255	9	Setscrew	
19	0920003	9	Washer	
20	32161114	1	Plug	
21	37732901	1	Elbow	Up to Serial or Engine Number U726816K
	0201568	1	Connection	From Serial or Engine Number U726817K
22	37416751	1	Housing	
23	36862511	1	Joint	
24	33473106	1	Connection	
25	30854	1	Seal	
26	32813106	1	Cap Nut	
27	0826201	3	Stud	
28	0576002	3	Nut	
29	0920053	3	Washer	
30	32114471	1	Plug	
31	32114471	1	Plug	
32	32526512	1	Stud	
33	37147974	1	Plate	
34	0350016	2	Dowel	
35	37813113	1	Plug	
36	0610045	1	Pin	
37	0720798	2	Screw	
38	0746454	6	Setscrew	
39	0920054	6	Washer	

(A)  
PRESS FIT

(B)  
SLIP FIT

C-0563-17M--A



Item	Part Number	Qty	Description	Comments
				AD3.152 ENGINE
1	ZZ 90078	1	Kit, Crankshaft	Repairs and replaces ZZ90122 Repairs and replaces U5BG0027 Repairs and replaces ZZ90019
2		1	Crankshaft	(1) Not serviced, order REF.1
3	68084	X	Kit, Bearing	(A)
	68084A	X	Kit, Bearing	(A) Thickness (-)0.25MM Thickness (-)0.010"
3	68084B	X	Kit, Bearing	(A) Thickness (-)0.50MM Thickness (-)0.020"
3	68084C	X	Kit, Bearing	(A) Thickness (-)0.75MM Thickness (-)0.030"
4	31137211	2	Thrust Washer	(1)
	31137212	X	Washer	Thickness (+)0.19MM Thickness (+)0.0075"
5	31137221	2	Thrust Washer	(1)
	31137222	X	Washer	Thickness (+)0.19MM Thickness (+)0.0075"
6	85036	1	Kit, Bearing	(1) (A)
6	85036A	X	Kit, Bearing	(A) Thickness (-)0.25MM Thickness (-)0.010"
6	85036B	X	Kit, Bearing	(A) Thickness (-)0.50MM Thickness (-)0.020"
6	85036C	X	Kit, Bearing	(A) Thickness (-)0.75MM Thickness (-)0.030"
7	ZZ 90010	1	Kit, Conrod	Repairs and replaces 91051 Repairs and replaces M7BJ0014
8		1	Conrod	(7) Not serviced, order REF.7
9		1	Cap	(7) Not serviced, order REF.7
10	31134151	1	Bush	(7)
11	0095250	2	Bolt	(7)
12	33221327	2	Nut	(7)
13	68302	3	Kit, Piston	(B)
	89214	3	Kit, Piston	(C)
14		1	Piston	(13) Not serviced, order REF.13
15		1	Pin	(13) Not serviced, order REF.13
16	0170001	2	Circlip	(13)
17	41158065	3	Kit, Piston Ring	
18	0410132	1	Gear,Crankshaft	25T
19		1	Washer	(F)
20	0330811	1	Spacer	
21	36271704	1	Woodruff Key	
22	31328242	2	Weight	(G)
23	2185189	4	Screw	
24	31731515	2	Washer	
25	31731516	2	Washer	
26	U5MK0117	X	Kit, Cylinder	(D)
	U5MK0059	X	Kit, Cylinder	(E)
27	U5PR0002	1	Kit, Piston	(3) (C)
28	31143733	1	Pulley,Crank	
29	32162312	1	Screw	
30	33125112	1	Washer	
31	33176137	1	Washer	
32	41112797	1	Flywheel	
33		1	Flywheel	(32) Not serviced, order REF.32

**MASSEY FERGUSON****MF 152 MKIII/152 V/S TRACTORS - 1637004**

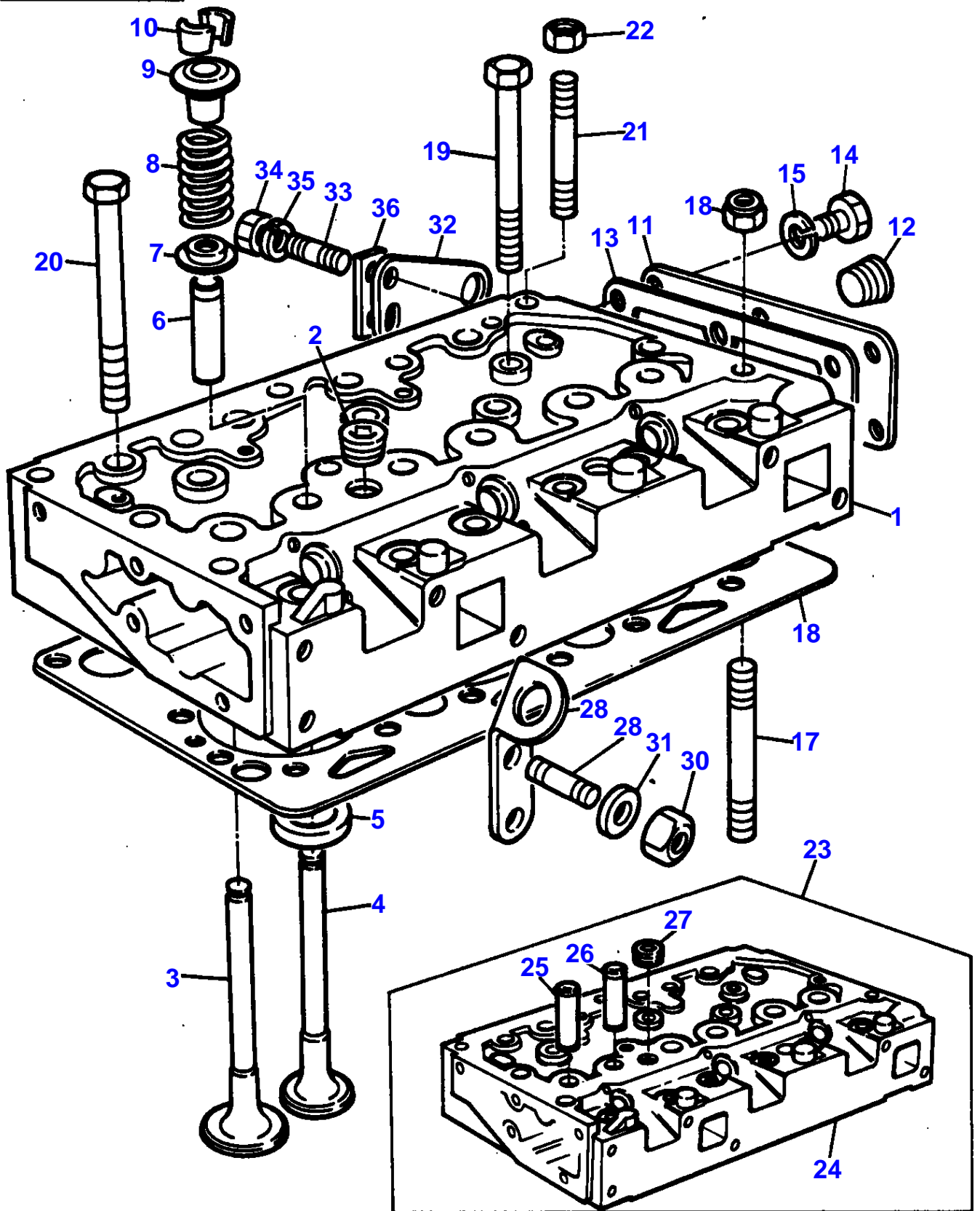
1637004

**CRANKSHAFT, PISTONS AND CONNECTING RODS - AD3.152 ENGINE**

4

Item	Part Number	Qty	Description	Comments
34	0410236	1	Starter Ring	(32) 115T
35	0096803	6	Bolt	
36	33117127	6	Washer	Repairs and replaces 33117121
				(A) PRE-FINISHED
				(B) UNTOPPED
				(C) PRE-TOPPED
				(D) SLIP FIT
				(E) PRESS FIT
				(F) NOT FITTED ON THIS APPLICATION
				(G) REPLACES 31328241 IN ENGINE SETS ONLY(QTY 2).

C 0566-16M-A



**Buy Now**



Our support email:

[ebooklibonline@outlook.com](mailto:ebooklibonline@outlook.com)