

Page Title	Page Number
ENGINE AND ACCESSORIES - UP TO SERIAL 11-1981	1
ENGINE AND ACCESSORIES	2
CYLINDER BLOCK - AD4.203 ENGINE	3
CRANKSHAFT, PISTONS AND CONNECTING RODS - AD4.203 ENGINE	4
CYLINDER HEAD - AD4.203 ENGINE	5
ROCKER SHAFT - AD4.203 ENGINE	6
AIR INDUCTION AND EXHAUST SYSTEM - AD4.203 ENGINE	7
TIMING GEAR AND CAMSHAFT - AD4.203 ENGINE	8
LUBRICATING OIL SUMP - AD4.203 ENGINE	9
LUBRICATING OIL FILTER AND INTEGRAL COOLER - AD4.203 ENGINE	10
WATER PUMP, THERMOSTAT AND HEAT EXCHANGER - AD4.203 ENGINE	11
LOW PRESSURE FUEL SYSTEM - AD4.203 ENGINE	12
FUEL INJECTION EQUIPMENT (DIESEL) - AD4.203 ENGINE	13
JOINTS AND GASKETS - AD4.203 ENGINE	14
ELECTRICAL EQUIPMENT - UP TO SERIAL 11-1981	15
BATTERY	16
BATTERY	17
GENERATOR-LUCAS - UP TO SERIAL 11-1981	18
ALTERNATOR-LUCAS - FROM SERIAL S165043	19
ALTERNATOR-LUCAS	20
GUARDS PTO AND ALTERNATOR	21
ALTERNATOR POSITIONER - FROM 12-1981	22
STARTER-LUCAS	23
STARTER-LUCAS	24
RADIATOR	25
FAN	26
FUEL TANK AND ATTACHMENTS	27
FUEL FILTERS AND PIPES	28
FUEL FILTER	29
AIR FILTER	30
EXHAUST SYSTEM	31
HAND AND FOOT THROTTLE CONTROLS	32
THROTTLE CONTROLS	33
SINGLE CLUTCH	34
DUAL CLUTCH - GERMANY	35
CLUTCH PEDAL AND LINKAGE - UP TO SERIAL NUMBER	36
CLUTCH PEDAL AND LINKAGE - FROM SERIAL NUMBER	37
8 SPEED SYNCHROMESH TRANSMISSION-HOUSING	38
8 SPEED SYNCHROMESH TRANSMISSION-CONTROL	39
8 SPEED SYNCHROMESH TRANSMISSION-GEAR TRAIN	40
8 SPEED SYNCHROMESH TRANSMISSION-SHIFT CONTROL - SYNCHRO- ZF	41
8 SPEED SYNCHROMESH ZF TRANSMISSION-HOUSING	42
8 SPEED SYNCHROMESH ZF TRANSMISSION-FORK AND GEARSHIFT RAIL	43
8 SPEED SYNCHROMESH ZF TRANSMISSION-MAIN SHAFT	44
8 SPEED SYNCHROMESH ZF TRANSMISSION-SYNCHROMESH	45
8 SPEED SYNCHROMESH ZF TRANSMISSION-COUNTER SHAFT	46
12 SPEED TRANSMISSION-HOUSING - SYNCHRO- ZF	47
12 SPEED TRANSMISSION-SHIFT CONTROL - SYNCHRO- ZF	48
12 SPEED TRANSMISSION-FORK AND GEAR SHIFTRAIL - SYNCHRO- ZF	49
12 SPEED TRANSMISSION-INPUTSHAFT - SYNCHRO- ZF	50
12 SPEED TRANSMISSION-MAIN SHAFT - SYNCHRO- ZF- UP TO SERIAL NUMBER	51
12 SPEED TRANSMISSION-MAIN SHAFT - SYNCHRO ZF FROM SERIAL NU...- UP TO SERIAL NUL1670 21	52
12 SPEED TRANSMISSION-MAIN SHAFT - SYNCHRO- ZF- FROM SERIAL L167022	53
12 SPEED TRANSMISSION-COUNTERSHAFT - SYNCHRO- ZF- UP TO SERIAL 02/83	54
12 SPEED TRANSMISSION-COUNTERSHAFT - SYNCHRO- ZF- FROM SERIAL 03/83	55
EPICYCLIC UNIT-NORMAL DUTY	56
EPICYCLIC UNIT-HEAVY DUTY	57
PTO SHAFT - WITH IPTO	58
PTO-CONTROL	59
IPTO-PIPES AND COVER	60
IPTO-CLUTCH AND VALVES	61
IPTO-CLUTCH AND VALVES - UP TO SERIAL NO	62
IPTO-CLUTCH AND VALVES - FROM SERIAL NUMBER	63
REAR AXLE-SPACER	64
REAR AXLE CENTRE HOUSING	65
REAR AXLE-ATTACHMENTS	66

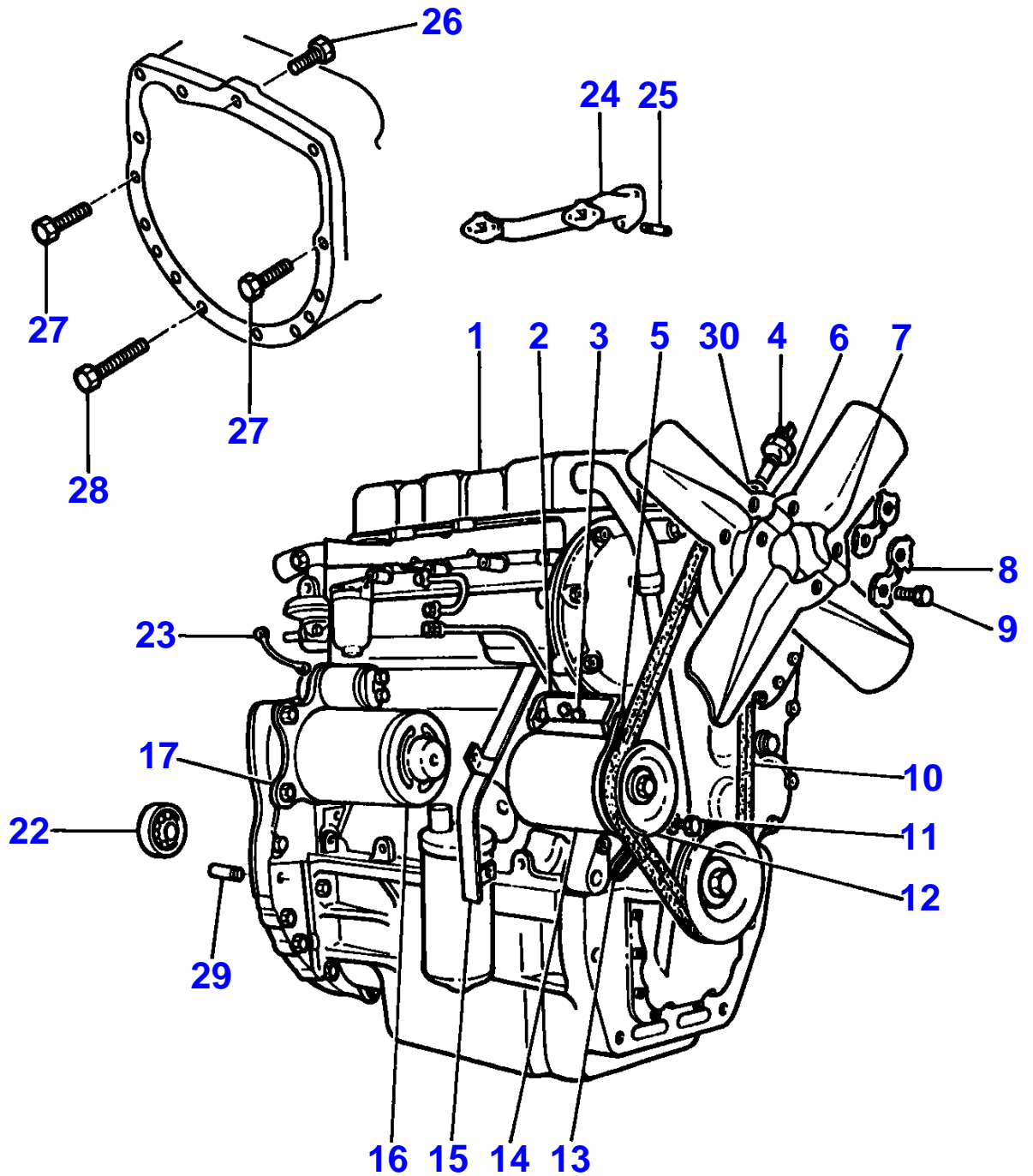
TABLE OF CONTENT

REAR AXLE-DIFFERENTIAL	67
REAR AXLE-DIFFERENTIAL LOCK MECHANISM	68
REAR AXLE-DIFFERENTIAL LOCK MECHANISM - UP TO SERIAL NUMBER- SHIFT CONTROL	69
REAR AXLE- DIFFERENTIAL LOCK PEDAL - FROM SERIAL NUMBER	70
REAR AXLE-HOUSING	71
REAR AXLE-HOUSING - UP TO SERIAL NO- GERMANY	72
DISC BRAKES - 3 DISC	73
DRUM BRAKES - GERMANY	74
BRAKE PEDALS AND LINKAGE - FRANCE	75
BRAKE PEDALS AND LINKAGE - GERMANY	76
BRAKE PEDALS AND LINKAGE - ITALY- EUROPE EXPORT	77
BRAKE PEDALS AND LINKAGE - UP TO SERIAL NUMBER	78
BRAKE PEDALS AND LINKAGE - FROM SERIAL NUMBER	79
BRAKE PEDALS AND LINKAGE - ITALY-UK-EE	80
BRAKE PEDALS AND LINKAGE - FROM SERIAL DU 10/1981- WITH HANDBRAKE	81
HANDBRAKE - ITALY- EUROPE EXPORT-UP TO SERIAL	82
HANDBRAKE	83
REAR WHEELS - 12X24	84
REAR WHEELS - UP TO SERIAL NO K.315001	85
REAR WHEELS - FROM SERIAL NO K.315002	86
POWER ASSISTED VARIABLE TRACK WHEEL	87
POWER ASSISTED VARIABLE TRACK WHEEL	88
FRONT WHEELS	89
FRONT AXLE - WHEEL HUB- UP TO SERIAL NUMBER S 253018	90
FRONT AXLE - WHEEL HUB- FROM SERIAL NUMBER S 253019	91
FRONT AXLE - UP TO SERIAL NUMBER S 253018	92
FRONT AXLE - FROM SERIAL NUMBER S 253019	93
AXLE SUPPORT - UP TO SERIAL NO	94
AXLE SUPPORT - FROM SERIAL NUMBER	95
STEERING WHEEL	96
STEERING GEAR - BOX	97
STEERING GEAR - POWER STEERING	98
STEERING GEAR	99
STEERING LINKAGE	100
STEERING HYDRAULIC LINES - POWER STEERING	101
STEERING HYDRAULIC LINES - POWER STEERING	102
STEERING PUMP-AIR EQUIPEMENT	103
STEERING CYLINDER - CYLINDER-UP TO 12-83	104
STEERING CYLINDER - FROM SERIAL 01/84	105
POWER STEERING VALVE - UP TO SERIAL NO	106
POWER STEERING VALVE - FROM SERIAL NUMBER	107
HYDRAULIC PUMP DRIVE	108
HYDRAULIC PUMP-SINGLE-PLESSEY	109
HYDRAULIC PUMP-DUAL-WARNER MOTIVE	110
HYDRAULIC PUMP-DUAL-PLESSEY	111
HYDRAULIC PUMP-DUAL-AIR EQUIPMENT	112
HYDRAULIC PUMP-DUAL-AIR EQUIPMENT	113
HYDRAULIC PUMP-DUAL-AIR EQUIPMENT	114
INTERNAL LINES - AUXILIARY HYDRAULIC	115
INTERNAL LINES - AUXILIARY HYDRAULIC- WITH BREATHING FILTER	116
INTERNAL LINES - 8 SPEED - 12 SPEED	117
INTERNAL LINES - WITH AUXILIARY PUMP	118
OIL FILTER	119
OIL FILTER - FRONT HOSE-WITHOUT OIL COOLER- UP TO SERIAL NO...	120
HYDRAULIC LINE - MICRONIC FILTRATION- - WITHOUT OIL COOLER- FROM SERIAL NUMBER	121
OIL COOLER AND FILTER - FRONT PIPE- UP TO SERIAL	122
OIL FILTER - REAR PIPE- UP TO SERIAL	123
OIL COOLER - MICRONIC FILTRATION- FROM SERIAL	124
DISTRIBUTOR - KONTAK	125
DISTRIBUTOR - KONTAK-DELIVERY	126
HYDRAULIC PUMP-BODY SHAFT PISTON	127
HYDRAULIC PUMP-OSCILLATOR VALVE	128
HYDRAULIC PUMP-STRAINER UNIT	129
HYDRAULIC PUMP-PRESSURE CONTROL VALVE	130
HYDRAULIC PUMP-STRAINER UNIT - WITH BREATHING FILTER	131
BREATHING FILTER	132
HYDRAULIC LIFT COVER	133
QUADRANT AND CONTROL LEVERS	134

TABLE OF CONTENT

QUADRANT AND CONTROL LEVERS - CONTROL SHAFT	135
RESPONSE CONTROLS	136
LIFT ARMS	137
LIFT ARMS - DRAFT AND POSITION CONTROLS	138
LIFT ARMS - RAM-UP TO 12-81	139
LIFT ARMS - RAM-FROM 12-81	140
TOP LINKS - UPPER LINK-SCALE- UP TO SERIAL NO H 107 025	141
TOP LINKS - UPPER LINK-SCALE- FROM SERIAL NO H 107 026	142
TOP LINKS - UPPER LINK-SCALE	143
LOWER LINKS - LEVELLING BOX- UP TO SERIAL NO H 107 025	144
LOWER LINKS - LEVELLING BOX- FROM SERIAL NO H 107 026	145
LOWER LINKS - LEVELLING BOX	146
LOWER LINKS - BOTTOM BAR	147
LOWER LINKS - BOTTOM BAR	148
LOWER LINKS - CHAIN	149
LOWER LINKS - CHAIN	150
LOWER LINKS - STAY-HITCH BAR	151
FRONT HITCH	152
SHEET METAL-GRILLE	153
SHEET METAL-HOOD	154
SHEET METAL-HOOD - HOOD NOSE- OLD MOUNTING	155
SHEET METAL-INSTRUMENT PANEL	156
SHEET METAL-INSTRUMENT PANEL - INSTRUMENT CHROME- UP TO SERIAL	157
SHEET METAL-INSTRUMENT PANEL - INSTRUMENT BLACK- FROM SERIAL	158
SHEET METAL-INSTRUMENT PANEL - INSTRUMENTS	159
SHEET METAL-SHEEL FENDERS - UP TO SERIAL NUMBER	160
SHEET METAL-SHEEL FENDERS - FROM SERIAL NUMBER	161
SAFETY FRAME	162
FOOTSTEP	163
SEAT-SABLE - SPECIAL	164
SEAT-SABLE	165
SEAT-SABLE - UP TO SERIAL NO J251044	166
SEAT-BOSTROM - XL MINI BALTIC	167
SEAT-BOSTROM - XH MINI BALTIC	168
TRANSFERS	169
SPEED CHARTS	170
WIRING - FROM 12-1981	171
WIRING - FROM SERIAL NO J215046	172
WIRING	173
REAR LIGHTING EQUIPMENT - SIGNALLING	174
ELECTRICAL WIRING - HORN	175
FRONT LIGHTING EQUIPMENT	176
REAR LIGHTING EQUIPMENT - WORKING LIGHT	177
REAR LIGHTING EQUIPMENT - LICENSE PLATE	178
REAR LIGHTING EQUIPMENT - LICENSE PLATE- GERMANY	179

1-0010-099

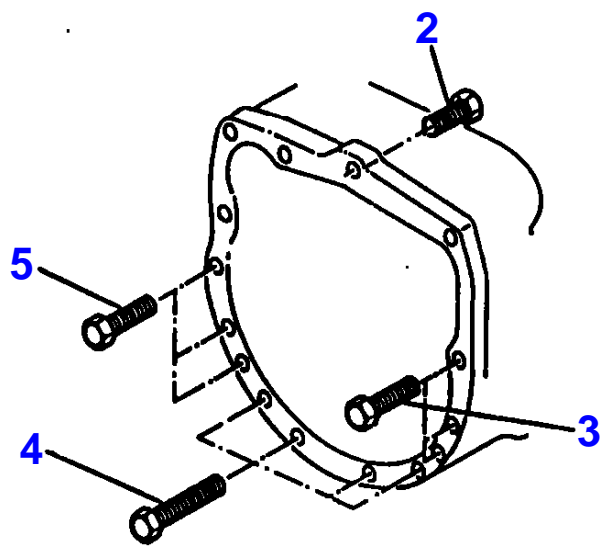
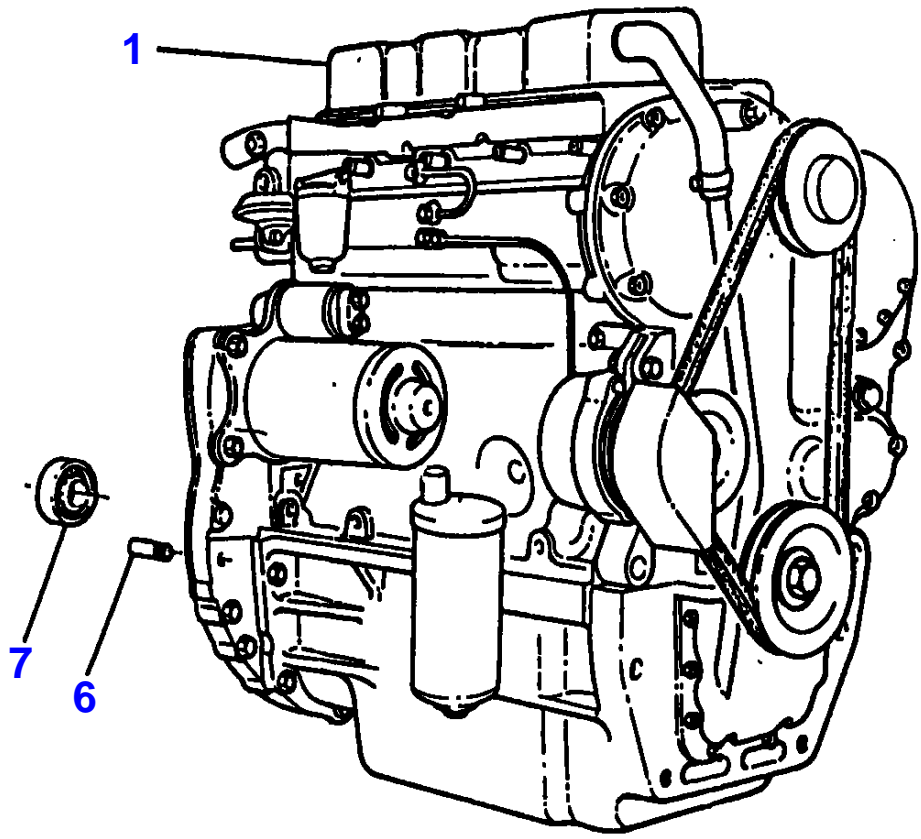


ENGINE AND ACCESSORIES - UP TO SERIAL 11-1981

Item	Part Number	Qty	Description	Comments
				UP TO SERIAL 11-1981
1	1808128M3	1	Engine	AD4.203 PEL - JE21586
1	1869374M1	1	Engine	(A) For Germany only or any text in German only AD4.203 PEL - JE21907
2	962182M1	1	Bearer	
3	353679X1	2	Screw Unc	
	375703X1	3	Washer	
	353446X1	3	Lock Washer	
	353518X1	1	Screw Unf	
4	963418M1	1	Gauge	
5	353521X1	2	Bolt Unf	
	353916X1	2	Nut Unf	
	353446X1	2	Lock Washer	
6	963929M1	1	Blade Fan	
7	963930M1	1	Blade Fan	
8	897057M1	2	Brake	
9	361444X1	4	Screw	
10	962184M2	1	Belt	
11	355565X1	2	Nut Unc	
	353446X1	5	Lock Washer	
	353755X1	1	Washer	
	353681X1	1	Bolt Unc	
12	960028M1	1	Pulley	
13	962183M1	1	Lever	
14		1	Dynamo	See Page - Reference Number 18/001
15	907500M91	1	Cowl	
16		1	Startermotor	See Page - Reference Number 23/001
17	362501X1	2	Screw	
	353432X1	3	Lock Washer	
	361773X1	1	Screw	
22	828123M1	1	Bearing Assy	
23	969112M1	1	Cable	LUCAS
24	732813M1	1	Manifold	
25	731656M1	3	Stud	
26	362479X1	1	Screw	
27	362491X1	7	Screw	
28	362726X1	4	Screw	
29	191314M1	2	Centraliser	
30	2411157	1	Washer	

(A)
SPEED LIMITATION

1-0010-095



L

MASSEY FERGUSON**MF 158 MKIII/158 S TRACTORS - 1637005**

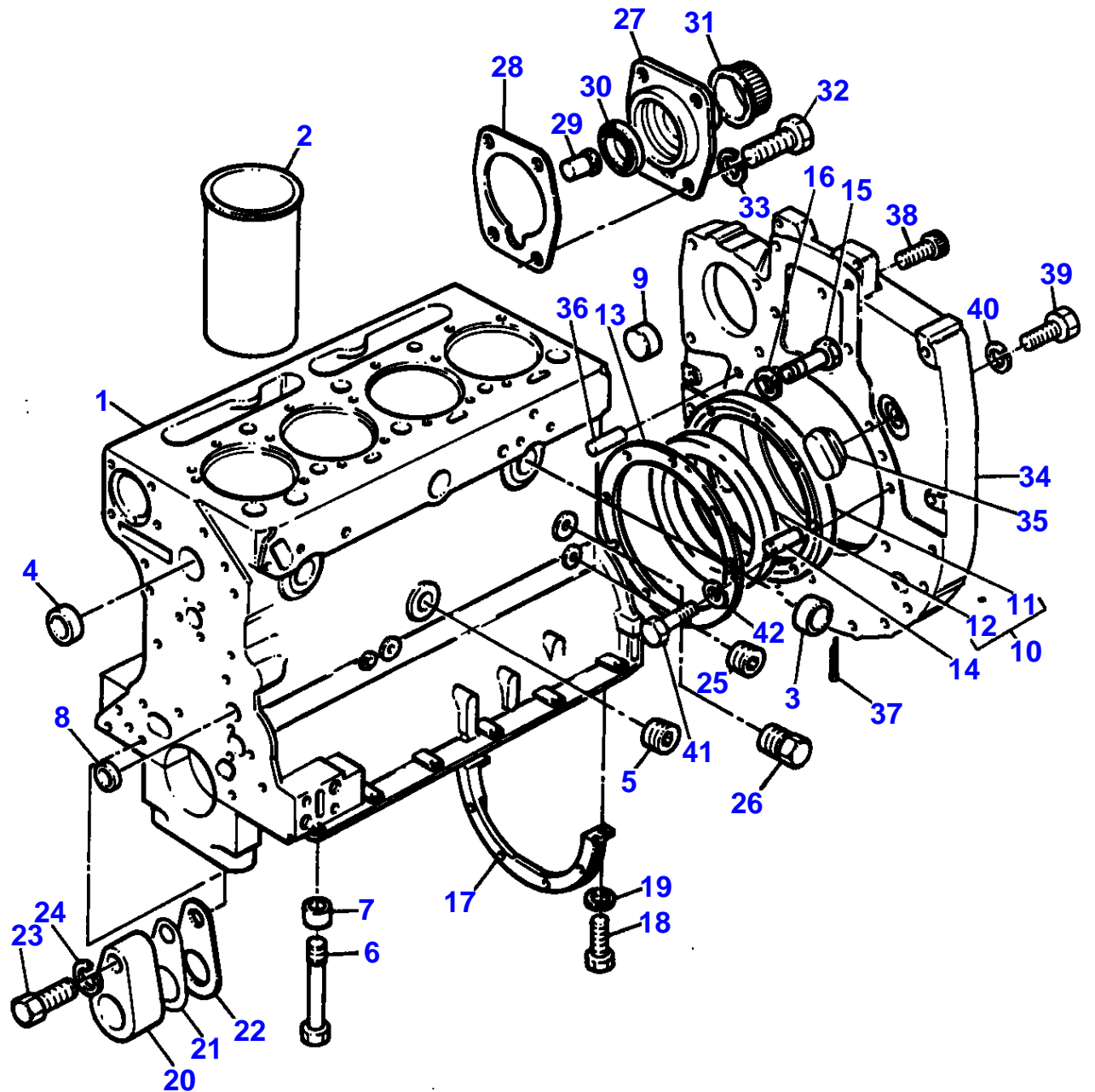
1637005

ENGINE AND ACCESSORIES

2

Item	Part Number	Qty	Description	Comments
1	1808128M3	1	Engine	AD4.203 PEL - JE21586
2	362479X1	1	Screw	
3	362491X1	4	Screw	
4	353714X1	4	Bolt Unc	
5	362491X1	3	Screw	
6	191314M1	2	Centraliser	
7	828123M1	1	Bearing Assy	

J-0560-01M - B

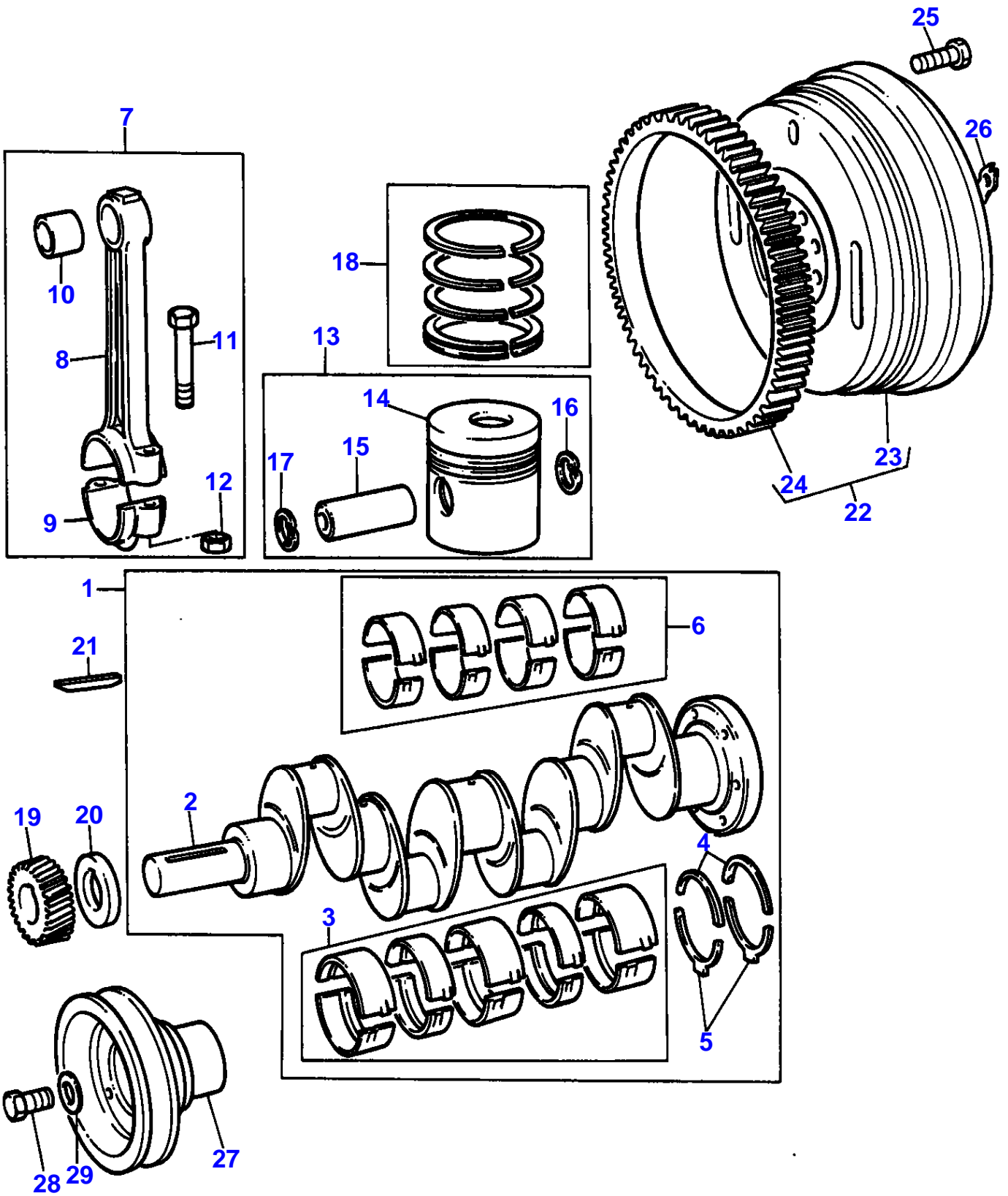


Item	Part Number	Qty	Description	Comments
				AD4.203 ENGINE
1	ZZ 50166	1	Kit,Cyl.Block	Repairs and replaces ZZ50000
2	31358323	4	Liner	(1) (A)
2	31358345	X	Liner	(B)
	31358384	X	Liner	0.010"0,25MM O/S
2	31358357	X	Liner	0.030"0,76MM O/S
3	0650710	6	Plug	(1) Repairs and replaces 0650563
4	0650710	1	Plug	(1)
5	0650588	1	Plug	(1)
6	32181441	10	Screw	(1)
7	33137408	10	Thimble	(1)
8	0650566	2	Plug	
9	0650710	1	Plug	Repairs and replaces 0650563
10	4142V002	1	Housing	
11		1	Housing	(10) Not serviced, order REF.10
12	2418F475	1	Seal	(10)
13	33826111	1	Joint	
14	0350015	2	Dowel	
15	0746255	9	Setscrew	
16	0920003	9	Washer	
17	37353821	1	Bridge Piece	
18	0096232	2	Bolt	
19	0920053	2	Washer	
20	36177511	1	Spacer	
21	36177415	14	Shim	
22	36177409	1	Shim	
23	0096236	1	Bolt	
24	0920053	1	Washer	
25	2431131	2	Plug	
26	32161114	2	Plug	
27	37512621	1	Housing	
28	0490699	1	Joint	
29	33473106	1	Connection	
30	30854	1	Seal	
31	32813106	1	Cap Nut	
32	0746255	4	Setscrew	
33	0920053	4	Washer	
34	37147974	1	Plate	
35	37813113	1	Plug	
36	0350016	2	Dowel	
37	0610045	1	Pin	
38	0720798	2	Screw	
39	0746454	6	Setscrew	
40	0920054	6	Washer	
41	0748613	2	Screw	
42	0920055	2	Washer	

(A)
PRESS FIT

(B)
SLIP FIT

J-0563-01M-B



Item	Part Number	Qty	Description	Comments
				AD4.203 ENGINE
1	ZZ 90111	1	Kit, Crankshaft	Repairs and replaces 94441
2		1	Crankshaft	Repairs and replaces 94455
3	68082	1	Kit, Bearing	(1) Not serviced, order REF.1
3	68082A	X	Kit, Bearing	(A) (A) Thickness (-)0.25MM Thickness (-)0.010"
3	68082B	X	Kit, Bearing	(A) Thickness (-)0.50MM Thickness (-)0.020"
3	68082C	X	Kit, Bearing	(A) Thickness (-)0.75MM Thickness (-)0.030"
4	31137211	2	Thrust Washer	(1)
	31137212	X	Washer	Thickness (+)0.19MM Thickness (+)0.0075"
5	31137221	2	Thrust Washer	(1)
	31137222	X	Washer	Thickness (+)0.19MM Thickness (+)0.0075"
6	85035	1	Kit, Bearing	(1) (A)
6	85035A	X	Kit, Bearing	(A) Thickness (-)0.25MM Thickness (-)0.010"
6	85035B	X	Kit, Bearing	(A) Thickness (-)0.50MM Thickness (-)0.020"
6	85035C	X	Kit, Bearing	(A) Thickness (-)0.75MM Thickness (-)0.030"
7	ZZ 90010	4	Kit, Conrod	
8		1	Conrod	(7) Not serviced, order REF.7
9		1	Bearing Cap	(7) Not serviced, order REF.7
10	31134151	1	Bush	(7)
11	0095250	2	Bolt	(7)
12	33221327	2	Nut	(7)
13	68302	4	Kit, Piston	(B)
	89214	X	Kit, Piston	(C)
14		1	Piston	(13) Not serviced, order REF.13
15		1	Piston Pin	(13) Not serviced, order REF.13
16	0170001	1	Circlip	(13)
17	0170001	1	Circlip	(13)
18	41158065	4	Kit, Piston Ring	
19	0410228	1	Gear,Crankshaft	26T
20	0330934	1	Spacer	
21	36271704	1	Woodruff Key	
22	41112797	1	Flywheel	
23		1	Flywheel	(22) Not serviced, order REF.22
24	0410236	1	Starter Ring	(22) Number of teeth/spines 115
25	32162203	6	Screw	
26	0921062	3	Tab Washer	
27	31148677	1	Pulley,Crank	
28	32162312	1	Screw	
29	33125112	1	Washer	

(A)
PRE-FINISHED

(B)
UNTOPPED

MASSEY FERGUSON

MF 158 MKIII/158 S TRACTORS - 1637005

1637005

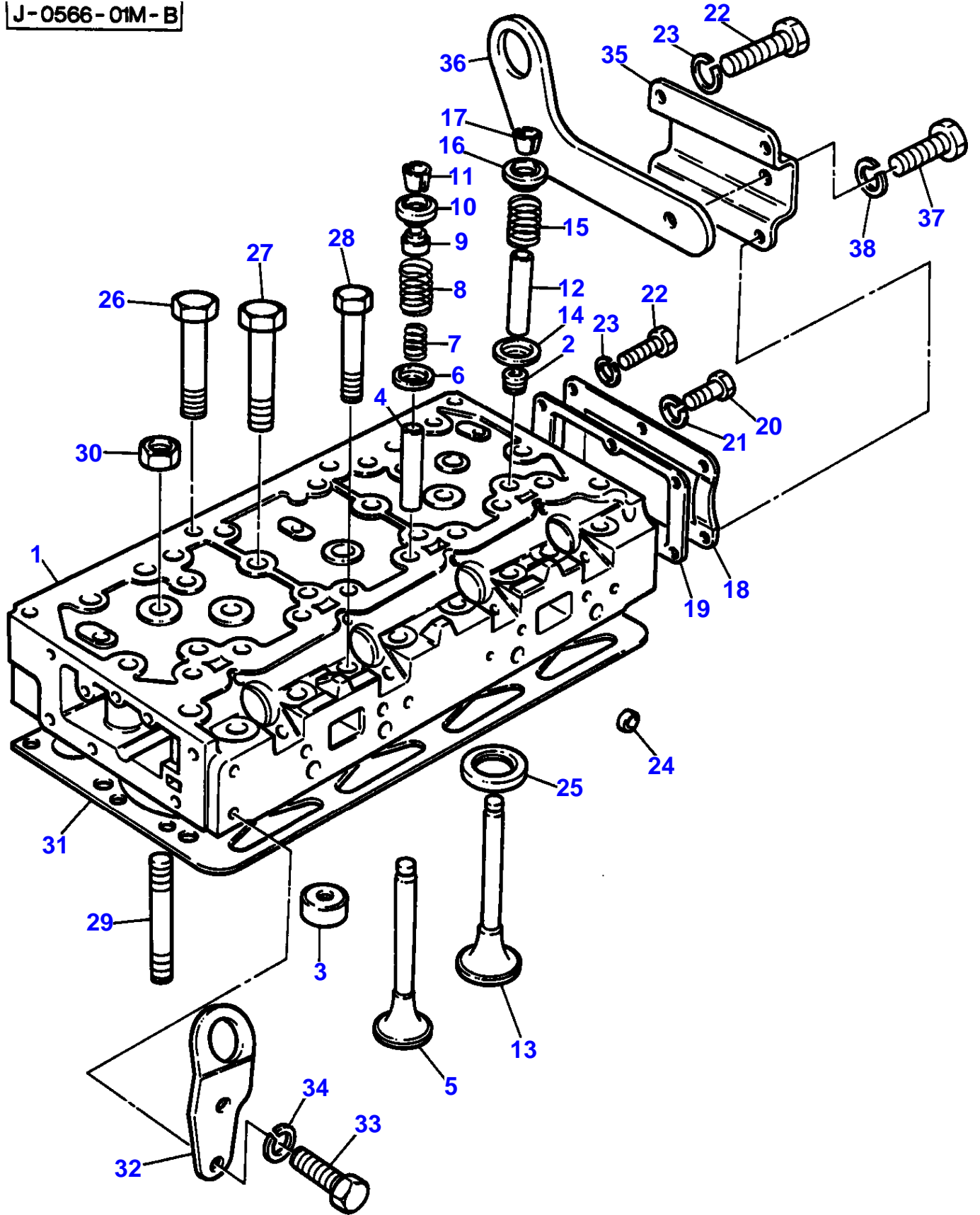
CRANKSHAFT, PISTONS AND CONNECTING RODS - AD4.203 ENGINE

4

Item	Part Number	Qty	Description	Comments
------	-------------	-----	-------------	----------

				(C) PRE-TOPPED
--	--	--	--	-------------------

J-0566-01M-B



CYLINDER HEAD - AD4.203 ENGINE

Item	Part Number	Qty	Description	Comments
				AD4.203 ENGINE
1	ZZ 80033	1	Kit, Cyl. Head	Up to Serial or Engine Number U527443E
	ZZ 80078	1	Kit, Cyl. Head	(A) From Serial or Engine Number U527444E
2	0650590	4	Plug	(1) Up to Serial or Engine Number U527443E
3	33157143	3	Plug	(1)
4	33261727	4	Guide	(1)
5	31431681	4	Valve Inlet	(1)
6	33177518	4	Washer	(1)
7	0780007	4	Spring	(1)
8	0780006	4	Spring	(1)
9	2415258	4	Seal	(1)
10	33423148	4	Cap	(1)
11	0230001	8	Cotter	(1) (C) Repairs and replaces 33173115
11	0230001	8	Cotter	(D,E)
12	33261723	4	Guide	(1)
13	31431991	4	Valve Exhaust	(1)
14	33415133	4	Washer	(1)
15	0780006	4	Spring	(1)
16	33423148	4	Cap	(1)
17	0230001	8	Cotter	(1) (C) Repairs and replaces 33173115
17	0230001	8	Cotter	(D,E)
18	3612M002	1	Plate	(1)
19	0490485	1	Joint	(1)
20	0746053	4	Bolt	(1) Up to Serial or Engine Number U527443E
20	0746254	4	Setscrew	(1) From Serial or Engine Number U527444E
21	0920052	4	Washer	(1) Up to Serial or Engine Number U527443E
21	0920053	4	Washer	(1) From Serial or Engine Number U527444E
22	0746052	2	Bolt	(1) Up to Serial or Engine Number U527443E
22	0746253	2	Screw	(1) From Serial or Engine Number U527444E
23	0920052	2	Washer	(1) Up to Serial or Engine Number U527443E
23	0920053	2	Washer	(1) From Serial or Engine Number U527444E
24	32417117	4	Plug	Up to Serial or Engine Number U527443E
25	33124428	4	Insert	
26	32181445	4	Screw	
27	32181446	9	Screw	
28	32181447	8	Screw	
29	32524133	2	Stud	
30	33221315	2	Nut	
31	36812138	1	Gasket	
32	3648C004	1	Plate	Repairs and replaces 36475706
33	0746453	2	Setscrew	
34	0920054	2	Washer	
35	36613125	1	Bracket	Up to Serial or Engine Number U527442E
	36613133	1	Bracket	From Serial or Engine Number U527443E
36	36245112	1	Plate	
37	2182110	1	Screw	
38	0920054	1	Washer	

(A)
MAJOR ASSEMBLY-SEE ZZ80104 FOR MINOR ASSEMBLY(INCL UDES REF.5,27,32 ONLY).

(C)
REMOVE AND FIT 0230001

Buy Now



Our support email:

ebooklibonline@outlook.com