

Page Title	Page Number
ENGINE AND ACCESSORIES	1
ENGINE AND ACCESSORIES - FROM- 12-1981	2
CYLINDER BLOCK - A4.236 ENGINE	3
CRANKSHAFT, PISTONS AND CONNECTING RODS - A4.236 ENGINE	4
CYLINDER HEAD - A4.236 ENGINE	5
ROCKER SHAFT - A4.236 ENGINE	6
AIR INDUCTION AND EXHAUST SYSTEM - A4.236 ENGINE - UP TO 01/12/81	7
AIR INDUCTION AND EXHAUST SYSTEM - A4.236 ENGINE - FROM 01/12/81	8
TIMING GEAR AND CAMSHAFT - A4.236 ENGINE	9
BALANCER UNIT - A4.236 ENGINE-UP TO ENGINE NO.U880190K	10
BALANCER UNIT - A4.236 ENGINE-FROM ENGINE NO.U880191K.	11
LUBRICATING OIL SUMP - A4.236 ENGINE	12
LUBRICATING OIL FILTER AND INTEGRAL COOLER - A4.236 ENGINE	13
WATER PUMP, THERMOSTAT AND HEAT EXCHANGER - A4.236 ENGINE - UP TO 01/12/81	14
WATER PUMP, THERMOSTAT AND HEAT EXCHANGER - A4.236 ENGINE - FROM 01/12/81	15
LOW PRESSURE FUEL SYSTEM - A4.236 ENGINE	16
FUEL INJECTION EQUIPMENT (DIESEL) - A4.236 ENGINE	17
JOINTS AND GASKETS	18
ALTERNATOR POSITIONER	19
ALTERNATOR POSITIONER - FROM- 12-1981	20
GUARDS PTO AND ALTERNATOR	21
ELECTRICAL EQUIPMENT - UP TO SERIAL 11-1981	22
BATTERY	23
GENERATOR-LUCAS - UP TO SERIAL 11-1981	24
ALTERNATOR-PARIS RHONE	25
ALTERNATOR-MOTOROLA	26
ALTERNATOR-MOTOROLA - FROM 12-1981	27
ALTERNATOR-LUCAS - AAA FROM 12-1981	28
ALTERNATOR-LUCAS	29
STARTER-LUCAS	30
STARTER-LUCAS	31
STARTER-PARIS RHONE	32
STARTER - PERKINS	33
RADIATOR	34
FAN	35
FUEL TANK AND ATTACHMENTS	36
FUEL FILTERS AND PIPES - UP TO 11-1981	37
FUEL FILTERS AND PIPES - FROM 12-1981	38
FUEL FILTER - UP TO 11-1981	39
FUEL FILTER - UP TO 11-1981	40
FUEL FILTER - FROM TO 12-1981	41
AIR FILTER	42
EXHAUST SYSTEM - UP TO 11-1981	43
EXHAUST SYSTEM - FROM 12-1981	44
HAND THROTTLE CONTROL	45
THROTTLE CONTROLS	46
SINGLE CLUTCH	47
CLUTCH PEDAL AND LINKAGE - UP TO SERIAL NUMBER	48
CLUTCH PEDAL AND LINKAGE - UP TO SERIAL NUMBER	49
CLUTCH PEDAL AND LINKAGE - FROM SERIAL NUMBER	50
8 SPEED SYNCHROMESH TRANSMISSION-HOUSING	51
8 SPEED SYNCHROMESH TRANSMISSION-SHIFT CONTROL	52
8 SPEED SYNCHROMESH TRANSMISSION-FORK AND GEAR SHIFTRAIL	53
8 SPEED SYNCHROMESH TRANSMISSION-GEAR TRAIN	54
8 SPEED SYNCHROMESH ZF TRANSMISSION-HOUSING	55
8 SPEED SYNCHROMESH TRANSMISSION-SHIFT CONTROL - SYNCHRO- ZF	56
8 SPEED SYNCHROMESH ZF TRANSMISSION-FORK AND GEARSHIFT RAIL	57
8 SPEED SYNCHROMESH ZF TRANSMISSION-MAIN SHAFT	58
8 SPEED SYNCHROMESH ZF TRANSMISSION-SYNCHROMESH	59
8 SPEED SYNCHROMESH ZF TRANSMISSION-COUNTER SHAFT	60
12 SPEED TRANSMISSION-HOUSING - SYNCHRO- ZF	61
12 SPEED TRANSMISSION-SHIFT CONTROL - SYNCHRO- ZF	62
12 SPEED TRANSMISSION-FORK AND GEAR SHIFTRAIL - SYNCHRO- ZF	63
12 SPEED TRANSMISSION-INPUTSHAFT - SYNCHRO- ZF	64
12 SPEED TRANSMISSION-MAIN SHAFT - SYNCHRO- ZF- UP TO SERIAL NUMBER	65
12 SPEED TRANSMISSION-MAIN SHAFT - SYNCHRO ZF FROM SERIAL NU...- UP TO SERIAL NUL1660 27	66

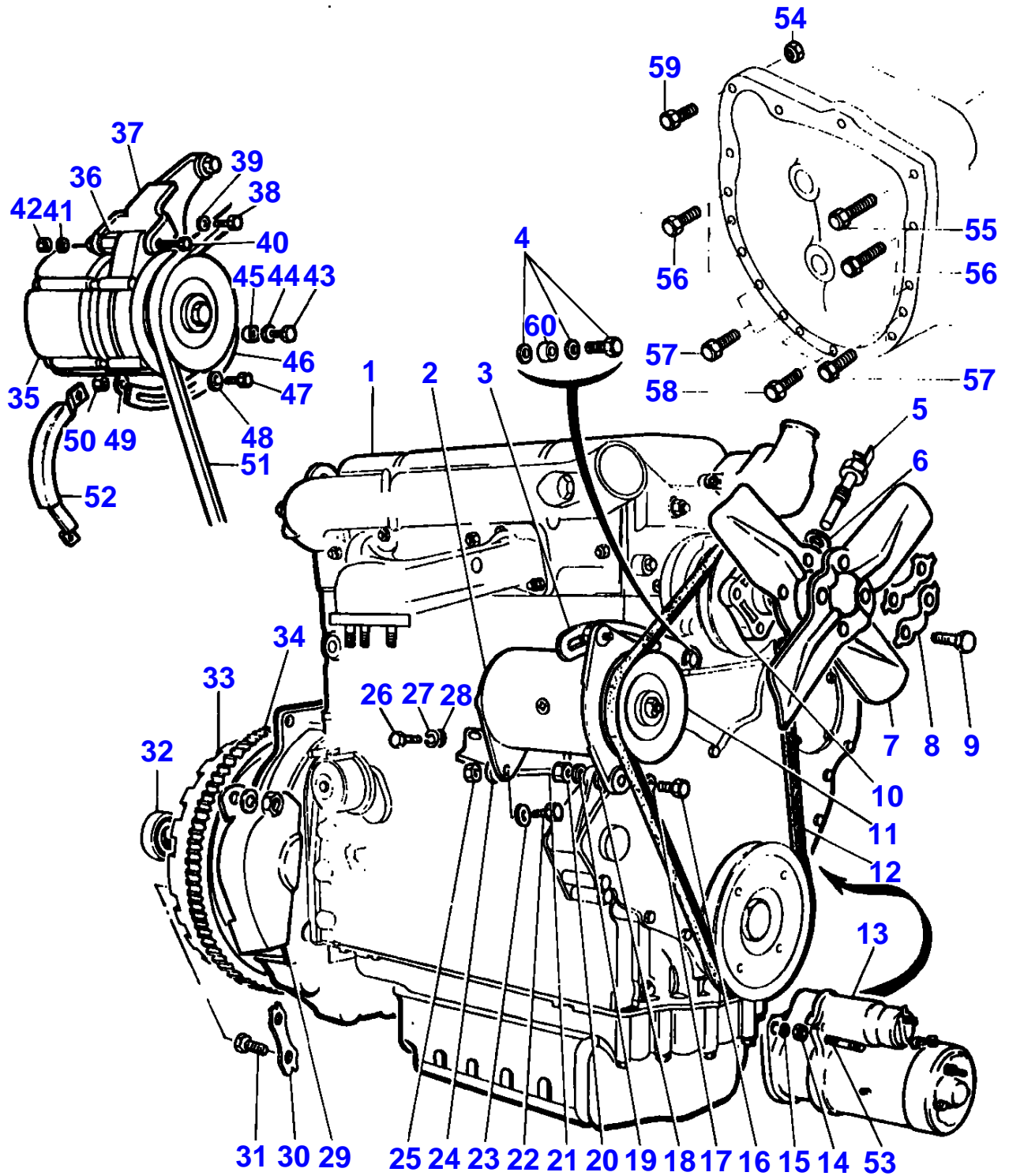
TABLE OF CONTENT

12 SPEED TRANSMISSION-MAIN SHAFT - SYNCHRO- ZF- FROM SERIAL L166028	67
12 SPEED TRANSMISSION-COUNTERSHAFT - SYNCHRO- ZF- UP TO SERIAL 02/83	68
12 SPEED TRANSMISSION-COUNTERSHAFT - SYNCHRO- ZF- FROM SERIAL 03/83	69
EPICYCLIC UNIT-HEAVY DUTY	70
PTO SHAFT - WITH IPTO	71
PTO-CONTROL	72
IPTO-PIPES AND COVER	73
IPTO-CLUTCH AND VALVES	74
IPTO-CLUTCH AND VALVES - UP TO SERIAL NO	75
IPTO-CLUTCH AND VALVES - FROM SERIAL NUMBER	76
REAR AXLE-SPACER	77
REAR AXLE CENTRE HOUSING	78
REAR AXLE-ATTACHMENTS	79
REAR AXLE-DIFFERENTIAL	80
REAR AXLE-DIFFERENTIAL	81
REAR AXLE-DIFFERENTIAL LOCK MECHANISM	82
REAR AXLE-DIFFERENTIAL LOCK MECHANISM - UP TO SERIAL NUMBER- SHIFT CONTROL	83
REAR AXLE- DIFFERENTIAL LOCK PEDAL - FROM SERIAL NUMBER	84
REAR AXLE-HOUSING	85
REAR AXLE-HOUSING - UP TO SERIAL NO- GERMANY	86
DISC BRAKES - 5 DISC	87
DISC BRAKES - 3 DISC	88
DRUM BRAKES - GERMANY	89
BRAKE PEDALS AND LINKAGE	90
BRAKE PEDALS AND LINKAGE - GERMANY	91
BRAKE PEDALS AND LINKAGE - UP TO SERIAL NUMBER	92
BRAKE PEDALS AND LINKAGE - FROM SERIAL NUMBER	93
BRAKE PEDALS AND LINKAGE - ITALY-UK-EE	94
BRAKE PEDALS AND LINKAGE - FROM SERIAL DU 10/1981- WITH HANDBRAKE	95
HANDBRAKE - ITALY- EUROPE EXPORT-UP TO SERIAL	96
HANDBRAKE	97
REAR WHEELS - 12X24	98
REAR WHEELS - UP TO SERIAL NO K.315001	99
REAR WHEELS - FROM SERIAL NO K.315002	100
POWER ASSISTED VARIABLE TRACK WHEEL	101
POWER ASSISTED VARIABLE TRACK WHEEL	102
FRONT WHEELS	103
FRONT AXLE - WHEEL HUB	104
FRONT AXLE-NORMAL DUTY	105
AXLE SUPPORT - UP TO SERIAL B 179039	106
AXLE SUPPORT - FROM SERIAL B 179040	107
STEERING GEAR - STEERING WHEEL- OLD MOUNTIN	108
STEERING GEAR - STEERING WHEEL	109
STEERING GEAR - STEERING WHEEL FROM SERIAL NO T.299046	110
STEERING LINKAGE - SHAFT	111
STEERING LINKAGE - TOP BAR	112
STEERING LINKAGE - LOWER	113
STEERING HYDRAULIC LINES	114
STEERING PUMP-AIR EQUIPEMENT	115
STEERING PUMP-PLESSEY	116
STEERING PUMP-AIR EQUIPEMENT	117
STEERING PUMP-AIR EQUIPEMENT	118
STEERING CYLINDER - POWER STEERING	119
STEERING CYLINDER-LASER	120
STEERING CYLINDER-LASER	121
HYDRAULIC PUMP DRIVE	122
HYDRAULIC PUMP-DUAL-WARNER MOTIVE	123
HYDRAULIC PUMP-DUAL-PLESSEY	124
HYDRAULIC PUMP-DUAL-AIR EQUIPMENT	125
HYDRAULIC PUMP-DUAL-AIR EQUIPMENT	126
HYDRAULIC PUMP-DUAL-AIR EQUIPMENT	127
INTERNAL LINES - AUXILIARY HYDRAULIC	128
INTERNAL LINES - AUXILIARY HYDRAULIC- WITH BREATHING FILTER	129
INTERNAL LINES - 8 SPEED - 12 SPEED	130
INTERNAL LINES - WITH AUXILIARY PUMP	131
OIL FILTER	132
OIL FILTER - TUBE-WITHOUT OIL COOLER- UP TO SERIAL NO...	133
HYDRAULIC LINE - MICRONIC FILTRATION- - WITHOUT OIL COOLER- FROM SERIAL NUMBER	134

TABLE OF CONTENT

OIL FILTER - TUBE-WITH OIL COOLER- UP TO SERIAL NO...	135
OIL COOLER AND FILTER - FRONT PIPE- UP TO SERIAL	136
OIL COOLER - MICRONIC FILTRATION- FROM SERIAL	137
DISTRIBUTOR - KONTAK	138
DISTRIBUTOR - KONTAK-DELIVERY	139
HYDRAULIC PUMP-BODY SHAFT PISTON	140
HYDRAULIC PUMP-STRAINER UNIT	141
HYDRAULIC PUMP-STRAINER UNIT - WITH BREATHING FILTER	142
HYDRAULIC PUMP-OSCILLATOR VALVE	143
HYDRAULIC PUMP-PRESSURE CONTROL VALVE	144
BREATHING FILTER	145
HYDRAULIC LIFT COVER	146
QUADRANT AND CONTROL LEVERS	147
QUADRANT AND CONTROL LEVERS - CONTROL SHAFT	148
RESPONSE CONTROLS	149
LIFT ARMS	150
LIFT ARMS - RAM-UP TO 12-81	151
LIFT ARMS - DRAFT AND POSITION CONTROLS	152
LIFT ARMS - RAM-FROM 12-81	153
TOP LINKS - UPPER LINK-SCALE	154
LOWER LINKS - LEVELLING BOX	155
LOWER LINKS - BOTTOM BAR	156
LOWER LINKS - CHAIN	157
LOWER LINKS - STAY-HITCH BAR	158
FRONT HITCH	159
SHEET METAL-GRILLE	160
SHEET METAL-HOOD - HOOD NOSE- OLD MOUNTING	161
SHEET METAL-HOOD	162
SHEET METAL-INSTRUMENT PANEL	163
SHEET METAL-INSTRUMENT PANEL - INSTRUMENT CHROME- UP TO SERIAL	164
SHEET METAL-INSTRUMENT PANEL - INSTRUMENT BLACK- FROM SERIAL	165
SHEET METAL-INSTRUMENT PANEL - INSTRUMENTS	166
SHEET METAL-SHEEL FENDERS - UP TO SERIAL NUMBER	167
SHEET METAL-SHEEL FENDERS - FROM SERIAL NUMBER	168
SAFETY FRAME	169
FOOTSTEP	170
SEAT-SABLE - UP TO SERIAL NO J251044	171
SEAT-BOSTROM - XL MINI BALTIC	172
SEAT-BOSTROM - XH MINI BALTIC	173
TRANSFERS	174
SPEED CHARTS	175
WIRING - FROM 12-1981	176
WIRING - FROM SERIAL NO J215046	177
WIRING	178
REAR LIGHTING EQUIPMENT - SIGNALLING	179
ELECTRICAL WIRING - HORN	180
FRONT LIGHTING EQUIPMENT	181
REAR LIGHTING EQUIPMENT - WORKING LIGHT	182
REAR LIGHTING EQUIPMENT - LICENSE PLATE	183

1-0010-019



ENGINE AND ACCESSORIES

Item	Part Number	Qty	Description	Comments
1	1661159M1	1	Engine	A4.236 PEL - LD22532 Up to Serial or Engine Number 11/1981
1	1661160M1	1	Engine	(A) For Germany only or any text in German only A4.236 PEL - 22546
2		1	Dynamo	See Page - Reference Number 24/1 For Germany only or any text in German only LUCAS
3	960960M1	1	Lever	For Italy only or any text in Italian only EE For Germany only or any text in German only LUCAS For Italy only or any text in Italian only EE
4	353755X1	1	Washer	LUCAS
	353446X1	1	Lock Washer	LUCAS
	353565X1	1	Bolt Unf	LUCAS
5	963418M1	1	Gauge	
6	2411157	1	Washer	
7	894729M1	1	Fan	
	894730M1	1	Fan	
8	897057M1	2	Brake	
9	361444X1	4	Screw	
10	732424M1	1	Extension	
11	960028M1	1	Pulley	LUCAS
12	960972M1	1	Belt	LUCAS
13		1	Startermotor	See Page - Reference Number 30/001 For Germany only or any text in German only LUCAS For Italy only or any text in Italian only EE
13		1	Startermotor	See Page - Reference Number 32/001 PARIS-RHONE For France only or any text in French only
14	353431X1	3	Nut Unf	
15	353434X1	3	Lock Washer	
16	353527X1	1	Screw	LUCAS
17	353755X1	1	Washer	LUCAS
18	960959M1	1	Spacer	For Germany only or any text in German only LUCAS For Italy only or any text in Italian only EE
19	353446X1	1	Lock Washer	LUCAS
20	353916X1	1	Nut Unf	LUCAS
21	960963M91	1	Bearer	For Germany only or any text in German only LUCAS For Italy only or any text in Italian only EE
22	353521X1	1	Bolt Unf	LUCAS
23	353755X1	1	Washer	LUCAS
24	353446X1	1	Lock Washer	LUCAS
25	353916X1	1	Nut Unf	LUCAS
26	353537X1	2	Screw Unf	
27	375706X1	2	Washer	
28	353434X1	2	Lock Washer	
29	880301M2	1	Cowl	For Germany only or any text in German only For Italy only or any text in Italian only
30	731192M1	3	Tab Washer	
31	354393X1	6	Screw Unf	
32	828123M1	1	Bearing Assy	
33		1	Flywheel	See Page - Reference Number 0600L01M/001
34		1	Crownwheel	See Page - Reference Number 0600L01M/003
35		1	Alternator	See Page - Reference Number 25/001 Up to Serial or Engine Number 11-1981 For France only or any text in French only
36	906060M1	1	Spacer	PARIS-RHONE Up to Serial or Engine Number 11-1981
37	906019M91	1	Bracket	PARIS-RHONE Up to Serial or Engine Number 11-1981
38	353546X1	1	Screw	PARIS-RHONE Up to Serial or Engine Number 11-1981
39	353756X1	1	Washer	PARIS-RHONE Up to Serial or Engine Number 11-1981
40	390122X1	1	Bolt Metric	PARIS-RHONE Up to Serial or Engine Number 11-1981
41	339376X1	1	Lock Washer	PARIS-RHONE Up to Serial or Engine Number 11-1981

MASSEY FERGUSON**MF 168 MKIII/168 S TRACTORS (FR) - 1637006**

1637006

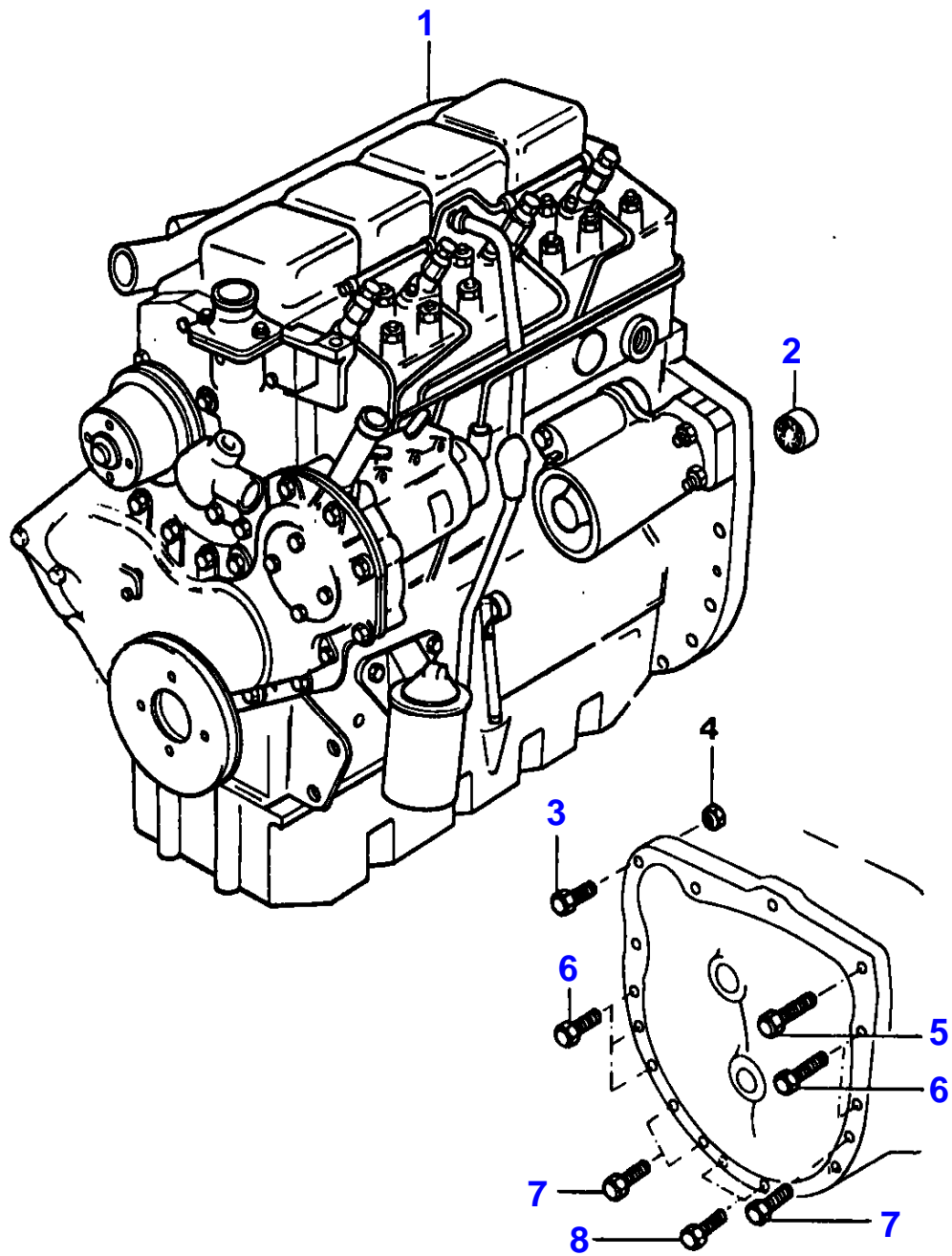
ENGINE AND ACCESSORIES

1

Item	Part Number	Qty	Description	Comments
42	339402X1	1	Nut Metric	PARIS-RHONE Up to Serial or Engine Number 11-1981
43	353535X1	1	Bolt Unf	PARIS-RHONE Up to Serial or Engine Number 11-1981
44	353755X1	1	Washer	PARIS-RHONE Up to Serial or Engine Number 11-1981
45	731981M1	1	Spacer	For France only or any text in French only Up to Serial or Engine Number 11-1981
46	609817M91	1	Lever	PARIS-RHONE Up to Serial or Engine Number 11-1981
47	353680X1	1	Screw Unc	PARIS-RHONE Up to Serial or Engine Number 11-1981
48	353755X1	1	Washer	PARIS-RHONE Up to Serial or Engine Number 11-1981
49	353446X1	1	Lock Washer	PARIS-RHONE Up to Serial or Engine Number 11-1981
50	355565X1	1	Nut Unc	PARIS-RHONE Up to Serial or Engine Number 11-1981
51	906022M2	1	Belt	PARIS-RHONE Up to Serial or Engine Number 11-1981
52	907002M91	1	Cowl	Up to Serial or Engine Number 11-1981
53	0826481	3	Stud	
54	363625X1	1	Nut	
55	362489X1	1	Bolt	
56	362493X1	5	Screw	
57	362499X1	4	Screw	
58	362485X1	2	Screw	
59	361536X1	1	Screw	
60	909591M1	1	Spacer	

(A)
SPEED LIMITATION

1-0010-081



MASSEY FERGUSON

MF 168 MKIII/168 S TRACTORS (FR) - 1637006

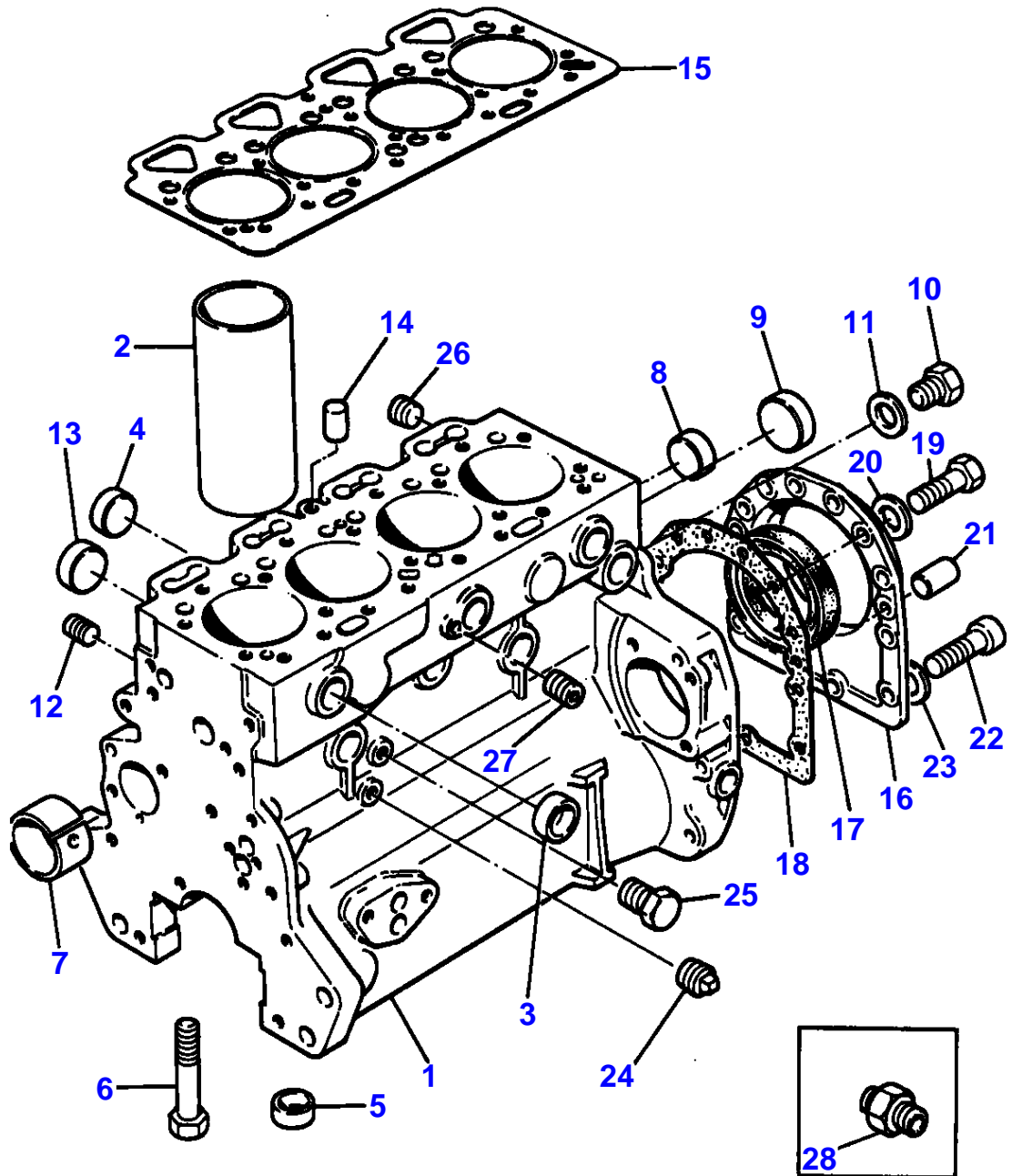
1637006

ENGINE AND ACCESSORIES - FROM- 12-1981

2

Item	Part Number	Qty	Description	Comments
				FROM- 12-1981
1	1673030M91	1	Engine	A4.236 PEL - LD22784
2	828123M1	1	Bearing Assy	
3	361536X1	1	Screw	
4	363625X1	1	Nut	
5	362491X1	1	Screw	
6	362493X1	5	Screw	
7	362499X1	4	Screw	
8	362485X1	2	Screw	

L-0560-10M-A



Item	Part Number	Qty	Description	Comments
				A4.236 ENGINE
1	ZZ 50144	1	Kit,Cyl.Block	(C,D) Repairs and replaces ZZ50079 Repairs and replaces ZZ50081 Repairs and replaces ZZ50039
2	31358393	4	Liner	(1) (A,E,H)
2	31358394	X	Liner	(B,E,H)
	31358398	X	Liner	(E,H) Repairs and replaces 31358403 0.010" 0.25MM O/S
2	3135X031	4	Liner	(1) (A,F,G,H)
2	3135X032	X	Liner	(B,F,G,H)
3	0650710	6	Plug	(1) Repairs and replaces 0650563
4	32418117	4	Plug	(1) Repairs and replaces 0650618
5	33142111	10	Thimble	(1)
6	32166329	10	Bolt	(1)
7	31134164	1	Bush	(1) Repairs and replaces 31134163 Repairs and replaces 31134132
8	0650710	2	Plug	(1) Repairs and replaces 0650563
9	32416105	1	Plug	
10	0650582	1	Plug	
11	0920130	1	Washer	
12	32114501	1	Plug	
13	0650577	4	Plug	
14	32417134	1	Plug	
15	3681E018	1	Head Gasket	Repairs and replaces 36812352 Repairs and replaces 36812349
16	4142V064	1	Housing	Repairs and replaces 4142V061 Repairs and replaces 4142V031
17	2418F475	1	Seal	(16) Repairs and replaces 2415391
18	36817157	1	Joint	
19	0746211	10	Bolt	
20	0920003	10	Washer	
21	0350009	2	Dowel	
22	2172530	2	Capscrew	
23	33112111	2	Washer	
24	0650594	1	Plug	From Serial or Engine Number 01/12/81
25	32161114	2	Plug	Repairs and replaces 32161357 Repairs and replaces 32161114
26	0650588	2	Plug	
27	32114143	1	Plug	
28	0201396	1	Union	Up to Serial or Engine Number 01/12/81
				(A) PRESS FIT
				(B) SLIP FIT
				(C) WAS ZZ50031 USE ZZ50039/32166337(2)/32166338(12)/3 2166339(8).
				(D) WAS ZZ50039 USE ZZ50081 WITH 36812352/33153157/211 6053/2184634(3)
				(E) USED ONLY WITH ZZ50039
				(F) USED ONLY WITH ZZ50079

MASSEY FERGUSON

MF 168 MKIII/168 S TRACTORS (FR) - 1637006

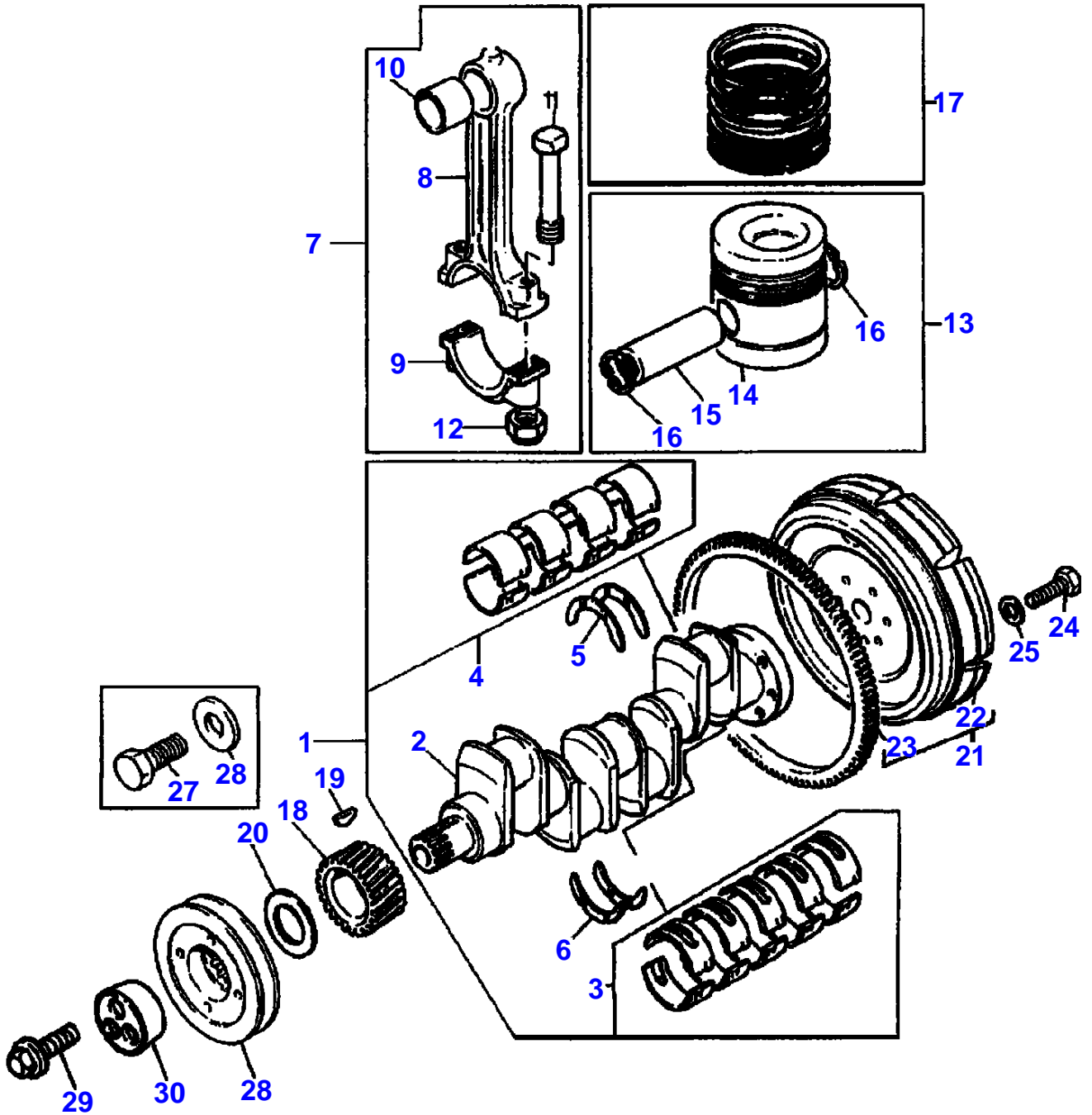
1637006

CYLINDER BLOCK - A4.236 ENGINE

3

Item	Part Number	Qty	Description	Comments
				(G) USED ONLY WITH ZZ50081.AND ZZ50144.
				(H) SEE PERKINS SERVICE BULLETIN NO.29 AND NO.35.

L-0563-08M-B



CRANKSHAFT, PISTONS AND CONNECTING RODS - A4.236 ENGINE

Item	Part Number	Qty	Description	Comments
				A4.236 ENGINE
1	ZZ 90082	1	Kit, Crankshaft	Repairs and replaces ZZ90083 Repairs and replaces U5BG0026 Repairs and replaces 68609
2		1	Crankshaft	(1) Not serviced, order REF.1
3	81558	1	Kit, Bearing	(1) (A)
3	81558A	X	Kit, Bearing	(A) Thickness (-)0.25MM Thickness (-)0.010"
3	81558B	X	Kit, Bearing	(A) Thickness (-)0.50MM Thickness (-)0.020"
3	81558C	X	Kit, Bearing	(A) Thickness (-)0.75MM Thickness (-)0.030"
4	85042	1	Kit, Bearing	(1) (A)
4	85042A	X	Kit, Bearing	(A) Thickness (-)0.25MM Thickness (-)0.010"
4	85042B	X	Kit, Bearing	(A) Thickness (-)0.50MM Thickness (-)0.020"
4	85042C	X	Kit, Bearing	(A) Thickness (-)0.75MM Thickness (-)0.030"
5	31137551	2	Thrust Washer	(1) Repairs and replaces 31137311
5	31137312	X	Thrust Washer	Thickness (+)0.19MM Thickness (+)0.0075"
6	31137561	2	Thrust Washer	(1) Repairs and replaces 31137321
6	31137322	X	Thrust Washer	Thickness (+)0.19MM Thickness (+)0.0075"
7	ZZ 90009	4	Kit, Conrod	Repairs and replaces M7BJ0015
8		1	Conrod	(7) Not serviced, order REF.7
9		1	Cap	(7) Not serviced, order REF.7
10	31134123	1	Bush	(7)
11	32762144	2	Bolt	(7)
12	33221328	2	Nut	(7)
13	68300	4	Kit, Piston	(B) Up to Serial or Engine Number U917431K
13	U5LU0025	4	Kit, Piston	(B) From Serial or Engine Number U917432K
13	U5LP0035	4	Kit, Piston	(C) From Serial or Engine Number U917432K
13	68301	4	Kit, Piston	(C) Up to Serial or Engine Number U917431K
13	68301C	X	Kit, Piston	(C) Up to Serial or Engine Number U917431K Thickness (+)0.75MM Thickness (+)0.030"
14		1	Piston	(13) Not serviced, order REF.13
15		1	Pin	(13) Not serviced, order REF.13
16	0170002	2	Circlip	(13)
17	41158041	4	Kit, Piston Ring	
	41158041C	X	Kit, Piston Ring	Thickness (+)0.75MM Thickness (+)0.030"
18	31171681	1	Gear,Crankshaft	28T
19	0500012	1	Woodruff Key	
20	33125416	1	Washer	
21	41117084	1	Flywheel	
22		1	Flywheel	(21)

MASSEY FERGUSON**MF 168 MKIII/168 S TRACTORS (FR) - 1637006**

1637006

CRANKSHAFT, PISTONS AND CONNECTING RODS - A4.236 ENGINE

4

Item	Part Number	Qty	Description	Comments
23	0410236	1	Starter Ring	Not serviced, order REF.21 (21) Number of teeth/spines 115
24	32162203	6	Screw	
25	33117127	6	Washer	Repairs and replaces 33117121
26	31148798	1	Pulley,Crank	Up to Serial or Engine Number 01/12/81 Repairs and replaces 31148791
26	31148714	1	Pulley,Crank	From Serial or Engine Number 01/12/81 Repairs and replaces 31148713
27	32162331	1	Screw	(D) Repairs and replaces 32162318
28	33125124	1	Washer	(D)
29	3242T001	1	Thrust Block	(E)
30	32186139	3	Screw	(E)
				(A) PRE-FINISHED
				(B) UNTOPPED
				(C) PRE-TOPPED
				(D) USED ONLY WITH CRANKSHAFTS 68609/94434/U5BG0008/U5 BG0009/U5BG0019.
				(E) USED ONLY WITH CRANKSHAFTS U5BG0022/U5BG0023/

Buy Now



Our support email:

ebooklibonline@outlook.com