

Page Title	Page Number
ENGINE AND ACCESSORIES	2
CYLINDER BLOCK-PLATE L	4
ROCKER ARM	8
CYLINDER HEAD	10
CRANKSHAFT	14
CYLINDER HEAD COVER	18
TIMING GEAR	20
JOINTS AND GASKETS	22
WATER PUMP	24
AIR INDUCTION	28
FUEL PIPINGS - LOW PRESSURE	30
FUEL FILTER	34
FUEL OIL LIFT PUMP	36
FUEL INJECTION EQUIPMENT	38
TURBOCHARGER	40
TURBOCHARGER	42
LUBRICATING OIL SYSTEM	44
LUBRICATING OIL FILTER	48
AUXILIARY DRIVE	50
BATTERY	52
ELECTRICAL EQUIPMENT	54
ALTERNATOR POSITIONER - TENSIONER	56
ALTERNATOR-MOTOROLA - UP TO SERIAL NO S 137200	58
ALTERNATOR-MOTOROLA - UP TO SERIAL NO	60
ALTERNATOR-MOTOROLA - MOTOROLA	61A
ALTERNATOR-MOTOROLA - FROM SERIAL NO S 137201	61C
STARTER-LUCAS	62
COOLING SYSTEM - INSTALLATION AIR CONDITIONED ENGINE	64
COOLING SYSTEM - COMPRESSOR	68
RADIATOR - ASSEMBLING	70
RADIATOR - FEEDING- UP TO SERIAL NO	72
RADIATOR - FEEDING- FROM SERIAL NO	74
FUEL TANK AND ATTACHMENTS - TANK- UP TO SERIAL NO A 163202	76
FUEL TANK AND ATTACHMENTS - FROM SERIAL NO A 163203	78
FUEL TANK AND ATTACHMENTS - FUEL TUBE	80
AIR FILTER - EQUIPMENT	82
AIR FILTER - EQUIPMENT WITH ETHER	84
AIR FILTER	86
AIR PRE FILTER	88
ETHER START SYSTEM	89A
EXHAUST SYSTEM	90
EXHAUST SYSTEM - INTAKE	92
THROTTLE CONTROLS - HAND THROTTLE	94
THROTTLE CONTROLS - FOOTTHROTTLE	96
THROTTLE CONTROLS - INJECTION PUMP BEADCORE	98
FRONT SPACER - UP TO SERIAL NO S 141210	100
CLUTCH	102
CLUTCH PEDAL AND LINKAGE - PEDAL	104
CLUTCH PEDAL AND LINKAGE - MASTER CYLINDER	106
MAIN CYLINDER BRAKE	108
16 SPEED TRANSMISSION	110
16 SPEED TRANSMISSION-HOUSING - UP TO SERIAL NO	112
16 SPEED TRANSMISSION-COVER	114

16 SPEED TRANSMISSION-COVER - GAMMA 2 CLUTCH SHAFT	116
16 SPEED TRANSMISSION-COVER - GAMMA 2 COVER	118
16 SPEED TRANSMISSION-COVER - GAMMA 2 CLUTCH AND REDUCER	120
16 SPEED TRANSMISSION-COVER - GAMMA 2 MAIN SHAFT	122
TRANSMISSION-HOUSING - GEAR TRAIN	124
16 SPEED TRANSMISSION-COUNTERSHAFT - UP TO SERIAL NO	126
TRANSMISSION-HOUSING - COUNTERSHAFT	127A
TRANSMISSION-HOUSING - MAIN SHAFT	128
TRANSMISSION-HOUSING - FORK AND GEAR SHIFT	130
16 SPEED TRANSMISSION-SHIFT CONTROL	132
16 SPEED TRANSMISSION-EXTERNAL CONTROL	134
8 SPEED SYNCHROMESH TRANSMISSION	135A
8 SPEED SYNCHROMESH TRANSMISSION-HOUSING - UP TO SERIAL NO	135C
8 SPEED SYNCHROMESH TRANSMISSION - COVER- UP TO SERIAL NO	135E
8 SPEED SYNCHROMESH TRANSMISSION - COVER- FROM SERIAL NO J306207	135I
8 SPEED SYNCHROMESH TRANSMISSION-SHIFT CONTROL	135K
8 SPEED SYNCHROMESH TRANSMISSION-CONTROL	135M
HYDRAULIC VALVE	136
PTO-DRIVE MECHANISM-TWO SPEED	138
PTO-CONTROL - UP TO SERIAL NO	140
PTO-CONTROL - FROM SERIAL NO	142
IPTO-CLUTCH AND VALVES	144
REAR AXLE CENTRE HOUSING	146
REAR AXLE-DIFFERENTIAL - WITH HYDRAULIC BLOCKING	148
REAR AXLE-DIFFERENTIAL	150
REAR AXLE-DIFFERENTIAL LOCK MECHANISM - HYDRAULIC CONTROL	152
REAR AXLE-DIFFERENTIAL LOCK MECHANISM - PIPES	154
REAR AXLE-HOUSING	156
HYDRAULIC BRAKE CONTROL - PEDALS- UP TO SERIAL NO	158
HYDRAULIC BRAKE CONTROL - PEDALS- FROM SERIAL NO	160
HYDRAULIC BRAKE CONTROL-PIPING - UP TO SERIAL NO	162
HYDRAULIC BRAKE CONTROL-PIPING - FROM SERIAL NO	164
HYDRAULIC BRAKE CONTROL - WITHOUT TRAILER BRAKING- GERMANY- UP TO SERIAL NO	166
HYDRAULIC BRAKE CONTROL - WITHOUT TRAILER BRAKING- FROM SERIAL NO	168
HANDBRAKE - UP TO SERIAL NO	170
HANDBRAKE - TOP CONTROL- UP TO SERIAL NO J276200	172
HANDBRAKE - TOP CONTROL- FROM SERIAL NO J 276201	173A
HANDBRAKE - BOTTOM CONTROL- FROM SERIAL NO	174
REAR WHEELS	176
REAR WHEELS	178
REAR WHEELS	180
FRONT WHEELS	182
FRONT WHEELS	184
FRONT WHEELS - 4 WHEEL DRIVE	186
FRONT WHEELS-4 WHEEL DRIVE - VARIABLE THREADS WHEEL	188
FRONT WHEELS - WEIGHT- 2 WHELL DRIVE	190
WHEELS - WEIGHT	191A
AXLE SUPPORT	192
FRONT AXLE-2 WHEEL DRIVE	194
STEERING - TELESCOPIC STEERING WHEEL	196
STEERING - TELESCOPIC STEERING - LOCKING	198
HYDROSTATIC- STEERING	200
HYDROSTATIC STEERING-2 WHEEL DRIVE - BOTTOM LINES	202

TABLE OF CONTENT

HYDROSTATIC- STEERING-4 WHEEL DRIVE - ABOVE LIGNE	204
STEERING UNIT-GEMMER - UP TO SERIAL NO	206
STEERING UNIT-GEMMER - FROM SERIAL NO	207A
STEERING CYLINDER-2 WHEEL DRIVE	208
STEERING CYLINDER-4 WHEEL DRIVE	210
HYDRAULIC PUMP-COVER - RIGHT SIDE INSIDE	212
HYDRAULIC PUMP	216
HYDRAULIC PUMP-COVER - RIGHT SIDE OUT	218
REAR AXLE-DIFFERENTIAL LOCK MECHANISM - VALVE	222
TRAILER BRAKE VALVE	224
HYDRAULIC VALVE	226
OUTSIDE FILTER - INSTALLATION	228
OUTSIDE FILTER	230
HYDRAULIC VALVE	232
AUXILIARY HYDRAULICS - TOP CONTROL	234
AUXILIARY HYDRAULICS - BOTTOM CONTROL	236
AUXILIARY HYDRAULICS - 3TH SPOOL VALVE- 4 WHEEL DRIVE	237A
DISTRIBUTOR	238
DISTRIBUTOR - 3TH SPOOL VALVE- 4 WEEL DRIVE	239A
HOSES AND COUPLINGS	240
HOSES AND COUPLINGS - 3TH SPOOL VALVE- 4 WHEEL DRIVE	241A
OIL COOLER - FRONT PIPES	242
OIL COOLER - REAR PIPES	244
OIL COOLER - REAR PIPES- ELECTRONIC DRAFT CONTROL	245A
OIL COOLER - ELECTRONIC DRAFT CONTROL	245C
HYDRAULIC LIFT COVER	246
HYDRAULIC LIFT COVER - ELECTRONIC DRAFT CONTROL	247A
HYDRAULIC LIFT ARRANGEMENT - ELECTRONIC DRAFT CONTROL	247C
HYDRAULIC LIFT COVER - COVER CONTROL	248
AUXILIARY HYDRAULIC VALVES	250
HYDRAULIC LIFT ARRANGEMENT	252
DRAFT AND POSITION CONTROLS	254
DRAFT AND POSITION CONTROLS - ARMS AND LEVERS	256
DRAFT AND POSITION CONTROLS - ELECTRONIC DRAFT CONTROL	257A
TOP LINKS - WITH BALL	258
TOP LINKS - WITH HOOK	260
TOP LINKS - ELECTRONIC DRAFT CONTROL	261A
HYDRAULIC LIFT CYLINDER	262
HYDRAULIC LIFT CYLINDER - O 79,2	264
LOWER LINKS - WITH BALL	266
LOWER LINKS - WITH HOOK	270
LOWER LINKS - WITH HOOK- SAUERMANN	274
TOP LINKS	276
LOWER LINKS - AUTOMATIC HOOK	278
STABILIZERS	279A
SWINGING DRAWBAR	280
PTO-CONTROL - GUARD	282
TRACTOR CAB-CAB AND WINDOWS - CAB DOORS ONE DOOR	283A
FRONT HITCH	284
HITCH-CRAMER	285A
HITCH - BRACKETS AND GUARDS	285C
SHEET METAL-GRILLE	290
SHEET METAL-HOOD - HOOD- UP TO SERIAL NO	294
SHEET METAL-HOOD - FROM SERIAL NO- ONE COMPONENT	297A
FENDER EXTENSION - GERMANY	298

TABLE OF CONTENT

FENDER EXTENSION - SERIAL NO	290
SHEET METAL - MISCELLANEOUS	300
SHEET METAL - MISCELLANEOUS	302
TRACTOR CAB-CAB AND WINDOWS ONEDOOR - UP TO SERIAL NO	304
TRACTOR CAB-CAB AND WINDOWS ONEDOOR - UP TO SERIAL NO J 237207	306
TRACTOR CAB-CAB AND WINDOWS ONEDOOR - FROM SERIAL NO J 237208	307A
SHEET METAL - PLATFORM	308
TRACTOR CAB - WITH TRAP	309A
TRACTOR CAB - WINDSCREEN- UP TO SERIAL NO J 237207	310
TRACTOR CAB - WINDSCREEN- FROM SERIAL NO J 237208	312
TRACTOR CAB-CAB DOORS ONE DOOR - DOOR- UP TO SERIAL NO	314
TRACTOR CAB-CAB DOORS ONE DOOR - DOOR- UP TO SERIAL NO J 237207	316
TRACTOR CAB-CAB DOORS ONE DOOR - DOOR- FROM SERIAL NO J 237208	317A
TRACTOR CAB-CAB DOORS ONE DOOR - HANDLE	318
TRACTOR CAB-CAB DOORS ONE DOOR - MISCELLANEOUS- UP TO SERIAL NO J 237207	320
TRACTOR CAB-CAB DOORS ONE DOOR - MISCELLANEOUS- FROM SERIAL NO J 237208	322
TRACTOR CAB-WINDOWS - RIGHT WINDOWS- FROM SERIAL NO J 237208	323A
TRACTOR CAB-WINDOWS - LEFT WINDOWS- FROM SERIAL NO J 237208	323C
TRACTOR CAB-WINDOWS - SIDE WINDOW- UP TO SERIAL NO J 237207	324
TRACTOR CAB-WINDOWS - REAR WINDOW- UP TO SERIAL NO J 237207	326
TRACTOR CAB-WINDOWS - REAR WINDOW- FROM SERIAL NO J 237208	328
TRACTOR CAB-CAB MOUNTINGS AND STEP / STAIRS	330
TRACTOR CAB-CAB MOUNTINGS AND STEP / STAIRS - WHEEL SHIM	332
WINDSCREEN WIPER	334
WINDSHIELD WIPER - REAR WINDSCREEN WIPER AND WASHER	335A
SCREEN WIPER MOTOR	336
WINDSCREEN WASHER	338
SEAT - PEDESTAL	340
SEAT-SABLE	341A
SEAT	342
SEAT-SABLE - UP TO SERIAL NO	344
SEAT-SABLE	346
SECONDARY SEAT	348
TRACTOR CAB-CAB INSULATION	350
TRACTOR CAB-CAB HEATER - UP TO SERIAL NO J 311209	352
TRACTOR CAB-CAB HEATER - HEATER- FROM SERIAL NO J 311210	353A
TRACTOR CAB-VENTILATION	354
AIR CONDITIONER - UP TO SERIAL NO J 228209	356
AIR CONDITIONER - FROM SERIAL NO J 228210	360
TRACTOR CAB-ROOF EQUIPMENT	364
TRACTOR CAB-ROOF EQUIPMENT - WITH TRAP	365A
SHEET METAL-INSTRUMENT PANEL - EQUIPMENT	366
SHEET METAL-INSTRUMENT PANEL - INSTRUMENT	368
SHEET METAL-INSTRUMENT PANEL - INSTRUMENT	370
SHEET METAL-PANEL WIRING - MAIN HARNESS	374
SHEET METAL-PANEL WIRING - LIGHT HARNESS	376
TRACTOR CAB - CONTROL BOX AUTOTRONIC	378
TRACTOR CAB - ELECTRONIC CONSOLE	379A
TRACTOR CAB - ELECTRONIC CONSOLE	379C
TRACTOR CAB-CAB MISCELLANEOUS	380
TRACTOR CAB-CAB MISCELLANEOUS - MIRROR	382
TRACTOR CAB-ROOF EQUIPMENT - ELECTRICITY	384
FRONT LIGHTING EQUIPMENT - UP TO SERIAL NO	386
FRONT LIGHTING EQUIPMENT - FROM SERIAL NO	388

TABLE OF CONTENT

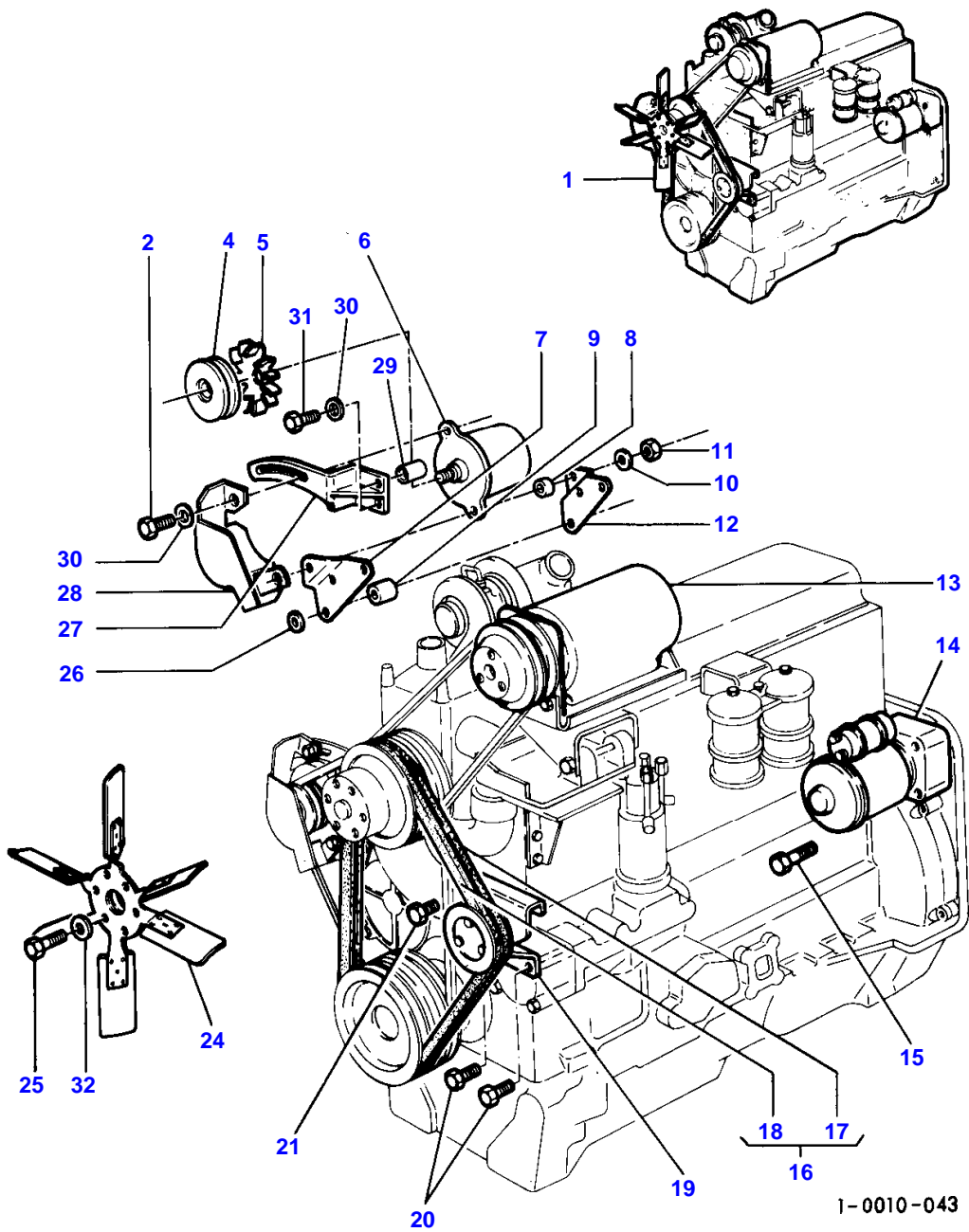
FRONT LIGHTING EQUIPMENT - FROM SERIAL NO	390
REAR LIGHTING EQUIPMENT - UP TO SERIAL NO	394
REAR LIGHTING EQUIPMENT - FROM SERIAL NO	398
LIGHTING KITS - WORKING LIGHT REAR	402
LIGHTING KITS - WORKING LIGHT FRONT	404
LIGHTING KITS - WORKING LIGHT	406
LIGHTING KITS - DANGER PANEL- UP TO SERIAL NO A 135200	408
LIGHTING KITS - UP TO SERIAL NO	410
LIGHTING KITS - DANGER PANEL- FROM SERIAL NO	411A
FRONT AXLE HYDRAULIC CONTROL	412
FRONT AXLE HYDRAULIC CONTROL - ELECTRONIC DRAFT CONTROL	413A
TRANSFER GEAR BOX	414
FRONT LIVE AXLE - SUPPORT	416
GUARD AND TRANSMISSION SHAFT	418
FRONT LIVE AXLE	420
FRONT AXLE HOUSING-4 WHEEL DRIVE	422
FRONT AXLE-DIFFERENTIAL-4 WHEEL DRIVE - HOUSING	424
FRONT AXLE-DIFFERENTIAL-4 WHEEL DRIVE - GEAR	426
FRONT AXLE FINAL DRIVE-4 WHEEL DRIVE	428

2

MOTEUR ET ACCESSOIRES
 MOTOR UND ZUBEHOER
 MOTORE ED ACCESSORI
 MOTOR Y ACCESORIOS
 ENGINE AND ACCESSORIES

00101009

1 0010 043



ENGINE AND ACCESSORIES

Item	Part Number	Qty	Description	Comments
1	3045795M91	1	Engine	Without or not For Germany only or any text in German only
1	3045796M91	1	Engine	For Germany only or any text in German only
2	353679X1	1	Screw Unc	
4	1699137M91	1	Pulley	
5	1618469M1	1	Fan	Up to Serial or Engine Number
	3045705M1	1	Fan	From Serial or Engine Number
6		1	Alternator	(A) See Page - Reference Number 58/1 See Page - Reference Number 61C/1
6		1	Alternator	(B) See Page - Reference Number 60/1 See Page - Reference Number 61C/1
7	3040961M1	1	Support	
8	3040964M2	1	Spacer	
9	3040962M1	3	Spacer	
10	339376X1	1	Lock Washer	
11	339402X1	1	Nut Metric	
12	3040963M1	1	Bearer	
13		1	Compressor	See Page - Reference Number 68/1
14		1	Startermotor	See Page - Reference Number 62/1
15	353693X1	3	Screw Unc	
16	3040950M91	1	Kit, Belt	
17		1	Belt	Not serviced, order 3040950M91
18		1	Belt	Not serviced, order 3040950M91
19		1	Tensioner	See Page - Reference Number 56/
20		2	Screw	See Page - Reference Number 56/12
21		1	Screw	See Page - Reference Number 56/7
24	3041591M2	1	Fan	Repairs and replaces 1619422M91
25	353540X1	6	Screw Unf	
26	353755X1	3	Washer	
27	3040944M92	1	Tensioner	
28	3042320M91	1	Cowl	
29	3040965M1	2	Spacer	
30	353446X1	3	Lock Washer	
31	353525X1	2	Bolt Unf	
32	353434X1	6	Lock Washer	

(A)
TRACTOR WITH CAB

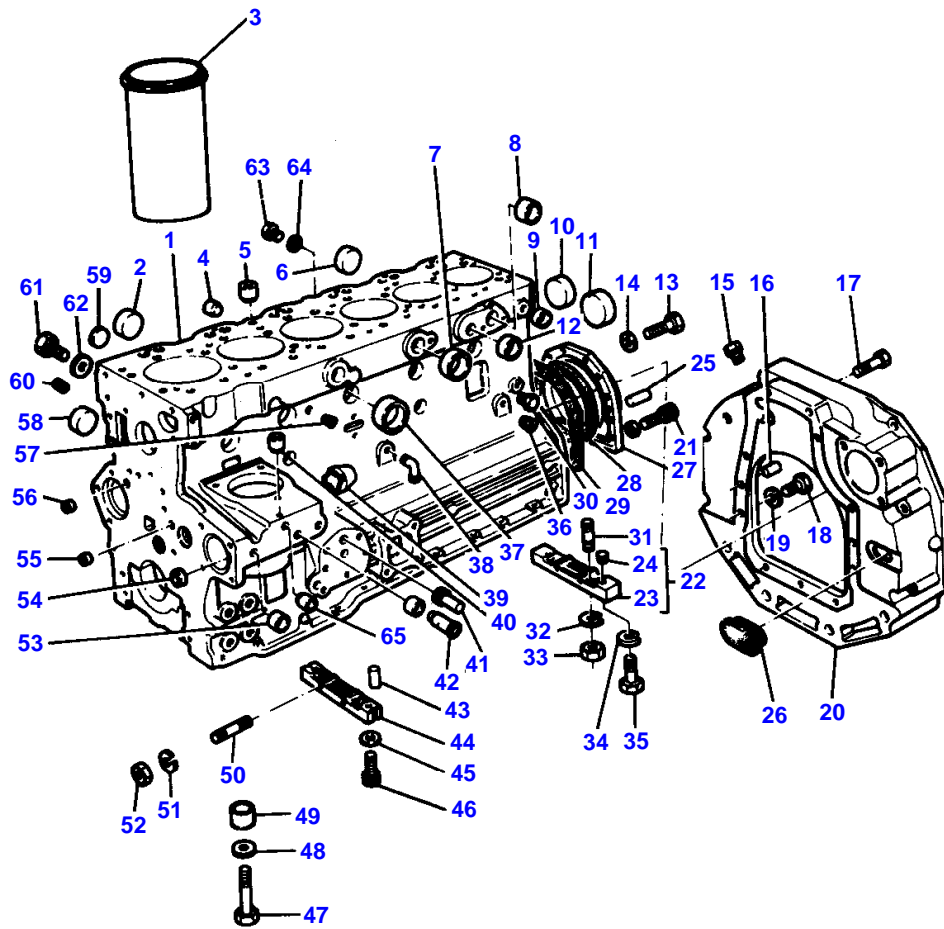
(B)
TRACTOR WITH PLATFORM

4

BLOC CYLINDRES
 ZYLINDERBLOCK
 BLOCCO CILINDRI
 BLOQUE DE CILINDROS
 CYLINDER BLOCK

00501019

1 0050 021



1 - 0050 - 021

CYLINDER BLOCK-PLATE L

Item	Part Number	Qty	Description	Comments
1	63614	1	Cylinder Block	Repairs and replaces 63067
2	0650618	6	Plug	1
3	31358393	6	Liner	1 (A)
3	31358394	6	Liner	(B)
4	32417133	1	Plug	
5	32417134	1	Plug	
6	0650618	5	Plug	
7	0650710	4	Plug	
8	0650618	1	Plug	
9	0650563	1	Plug	
10	0650618	2	Plug	1
11	32416105	1	Plug	
12	0650664	1	Plug	1
13	0746211	10	Bolt	
14	0920003	10	Washer	
15	2487004	1	Plug	
16	32455119	2	Dowel	
17	2222157	2	Screw	
18	0746462	6	Bolt	
19	33115129	6	Washer	
20	37148191	1	Plate	
21	2172530	2	Capscrew	
	33112111	2	Washer	
22	41474004	1	Bridge Piece	
23		1	Spacer	22 Not serviced, order 41474004
24	2137467	2	Insert	22
25	0350009	2	Dowel	
26	37813113	1	Plug	
27	37513851	1	Housing	
28	2415391	1	Seal	
29	36817157	1	Joint	
30	32161114	2	Plug	
31	0826287	2	Stud	
32	0920053	2	Washer	
33	0576002	2	Nut	
34	0920521	2	Washer	
35	2176369	2	Screw	
36	2431131	1	Plug	
37	32417152	5	Plug	1
38	0201568	1	Connection	
39	32813108	1	Cover	
40	32417134	2	Plug	
41	0650586	2	Plug	
42	33435133	1	Tube	
43	32811408	4	Joint	
44	36277831	1	Bridge Piece	
45	0920521	2	Washer	
46	2176369	2	Screw	
47	32166329	14	Bolt	1
48	33121421	14	Washer	
49	33142111	14	Thimble	1
50	0826201	2	Stud	
51	0920053	2	Washer	
52	0576002	2	Nut	
53	32417127	3	Plug	
54	32417115	1	Plug	
55	0650566	2	Plug	
56	32417115	2	Plug	
57	0650586	1	Plug	1
58		1	Not Used	
59	0650618	1	Plug	
60	32114431	1	Plug	
61		3	Not Used	
62		3	Not Used	
63	32161317	1	Plug	
64	2411156	1	Washer	
65	32417143	1	Plug	(A)

MASSEY FERGUSON

MF 2680 TRACTOR, ->| 271212 - 1637040

1637040

CYLINDER BLOCK-PLATE L

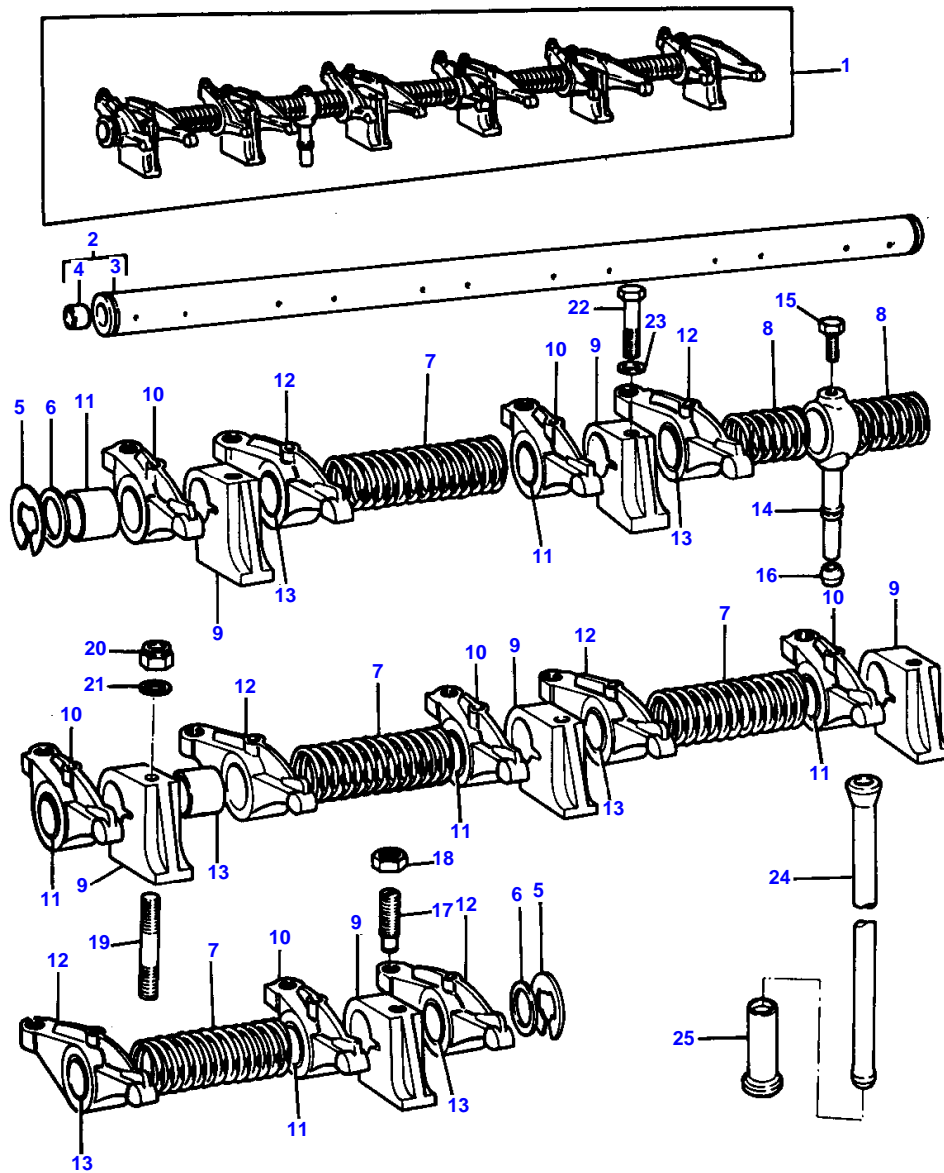
4

Item	Part Number	Qty	Description	Comments
				PRESS FIT
				(B)
				SLIP FIT

8
 CULBUTEURS
 KIPPHEBEL
 ALBERO A BILANCIERI
 BALANCINES
 ROCKER ARM

00701003

1 0070 001



1-0070-001

ROCKER ARM

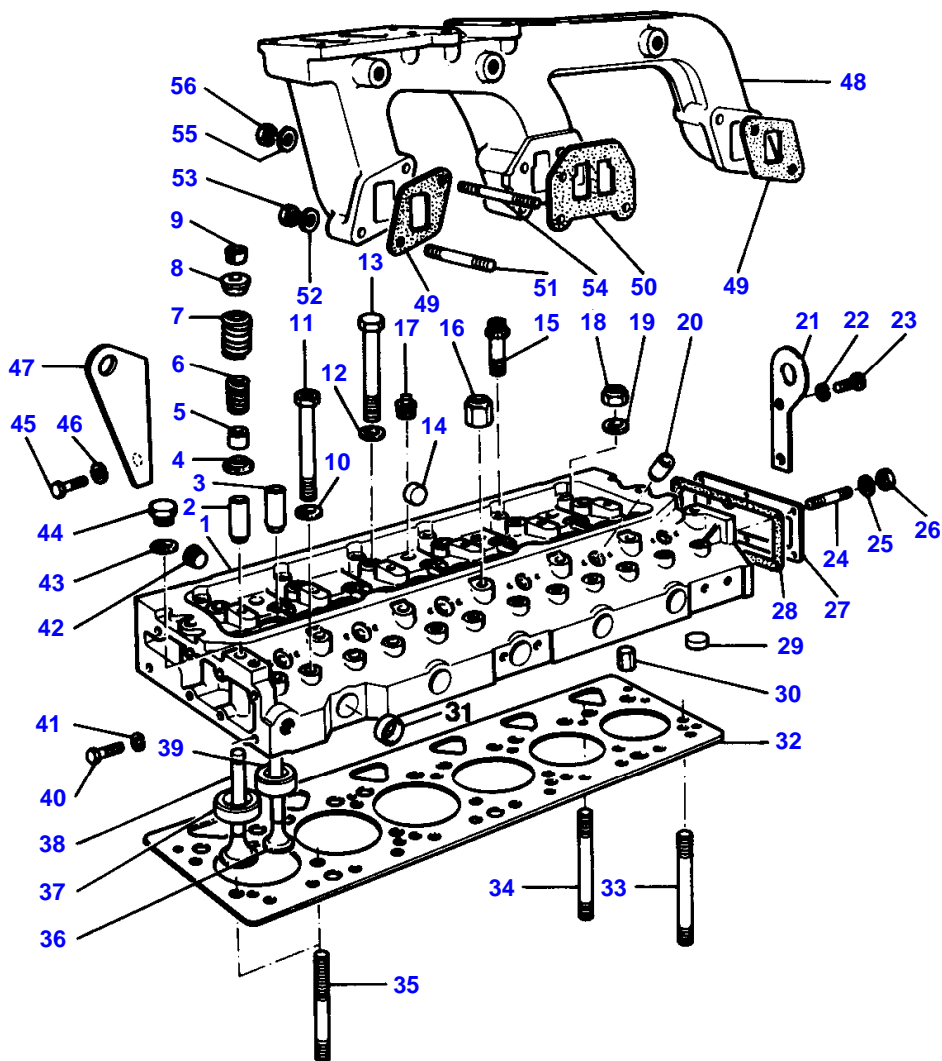
Item	Part Number	Qty	Description	Comments
1	62843	1	Rocker Shaft Ass	
2	58768	1	Rocker Shaft	1
3		1	Rocker Shaft	Not serviced, order 2
4	0650507	2	Plug	2
5	0170151	2	Circlip	1
6	33117415	2	Washer	1
7	31744123	4	Spring	1
8	31743108	2	Spring	1
9	37521431	6	Bracket	1
10	41151468	6	Lever	1
				Right Hand
11	2511425	1	Bush	10
12	41151467	6	Lever	1
				Left Hand
13	2511425	1	Bush	12
14	35511111	1	Pipe	1
15	0726504	1	Setscrew	1
16	33811113	1	Olive	
17	0720579	12	Screw	1
18	0576052	12	Nut	1
19	2215274	4	Stud	
20	0576054	4	Nut	
21	33116111	4	Washer	
22	0096636	2	Bolt	
23	33116111	2	Washer	
24	31434307	12	Pushrod	
25	31434163	12	Tappet	

10

CULASSE
 ZYLINDERKOPF
 TESTATA
 CULATA
 CYLINDER HEAD

00751016

1 0075 015



1-0075-015

CYLINDER HEAD

Item	Part Number	Qty	Description	Comments
1	68172	1	Cylinder Head	
2	33261732	6	Guide	1
3	33261754	6	Guide	1
4	33415118	12	Washer	1
5	33817117	12	Seal	1
6	31744131	12	Spring	1
7	31745121	12	Spring	1
8	33423122	12	Cap	1
9	33173108	12	Cotter	1
				(A)
10	33117122	12	Washer	
11	32181424	12	Screw	
12	33117122	6	Washer	
13	32181453	6	Screw	
14	32417127	6	Plug	1
15	2172142	6	Bolt	
16	33287318	2	Nut	
17	2431154	3	Plug	1
18	33221316	12	Nut	
19	33117122	13	Washer	
20	33242112	6	Sleeve	1
21	36237734	1	Bracket	
22	0920054	2	Washer	
23	0746453	2	Setscrew	
24	0826244	6	Stud	
25	0920053	6	Washer	
26	0576002	6	Nut	
27	36124433	1	Cover	
28	0490485	1	Joint	
29	32417122	13	Plug	1
30	32461323	2	Dowel	
31	0650563	4	Plug	1
32	36812607	1	Gasket	
33	32526321	3	Stud	
34	32526322	9	Stud	
35	32526319	2	Stud	
36	31431752	6	Valve Exhaust	1
37	33152155	6	Insert	1
38	31431315	6	Valve Inlet	1
39	33152154	6	Insert	1
40	0746453	2	Setscrew	
41	0920054	2	Washer	
42	32114501	1	Plug	
43	2411157	1	Washer	
44	0650203	1	Plug	
45	0746453	2	Setscrew	
46	0920054	2	Washer	
47	36445322	1	Plate	
48	37782952	1	Exhaust Manifold	Repairs and replaces 37782951
49	36862191	2	Gasket	
50	36866746	1	Joint	
51	0826458	4	Stud	(B)
	0826475	4	Stud	(C)
52	33115117	4	Spacer	
53	2188135	4	Nut	
54	0826456	4	Stud	
55	33115117	4	Spacer	
56	2188135	4	Nut	

(A)
 SERVICED IN PAIRS
 (B)
 WITH 37782951
 (C)
 WITH 37782952

Buy Now



Our support email:

ebooklibonline@outlook.com