

Page Title	Page Number
ENGINE AND ACCESSORIES	2
CYLINDER BLOCK	3A
CYLINDER HEAD	3E
CRANKSHAFT	11A
CYLINDER HEAD COVER	12
TIMING GEAR	14
ALTERNATOR POSITIONER	16
WATER PUMP	17A
AIR INDUCTION AND EXHAUST SYSTEM	20
FUEL OIL LIFT PUMP - FITTING 2 STUDS	22
FUEL INJECTION EQUIPMENT	24
LUBRICATING OIL SUMP	26
JOINTS AND GASKETS	28
ALTERNATOR POSITIONER - COWLS	30
BATTERY	32
ELECTRICAL EQUIPMENT - UP TO SERIAL NUMBER	34
ALTERNATOR-MOTOROLA	38
ALTERNATOR-MOTOROLA	39A
STARTER-DUCELLIER	40
STARTER-LUCAS	42
STARTER-LUCAS	43A
STARTER-LUCAS	43C
STARTER-PARIS RHONE	43E
COOLING SYSTEM	44
FUEL TANK AND ATTACHMENTS	46
FUEL FILTERS AND PIPES	48
FUEL FILTER	50
AIR FILTER-OIL BATH AIR FILTER	52
MUFFLER VERTICAL	54
HAND THROTTLE CONTROL	56
THROTTLE CONTROLS - FOOTTHROTTLE	58
THROTTLE CONTROLS - FOOTTHROTTLE ERGONOMIQUE-GERMANY	60
DUAL CLUTCH	62
CLUTCH PEDAL AND LINKAGE	64
8 SPEED SYNCHROMESH TRANSMISSION-HOUSING	66
8 SPEED SYNCHROMESH TRANSMISSION-MAIN SHAFT	68
SYNCHRO	70
8 SPEED SYNCHROMESH TRANSMISSION-COUNTERSHAFT	72
8 SPEED SYNCHROMESH TRANSMISSION - REVERSE SPEED PINION	74
8 SPEED SYNCHROMESH TRANSMISSION-CONTROL	76
8 SPEED SYNCHROMESH TRANSMISSION-FORK AND GEAR SHIFTRAIL - SYNCHRO- ZF	78
8 SPEED SYNCHROMESH TRANSMISSION-MAIN SHAFT - SYNCHRO- ZF	80
SYNCHRO - ZF- 8 SPEED TRANSMISSION	82
8 SPEED SYNCHROMESH TRANSMISSION-COUNTERSHAFT - SYNCHRO- ZF	84
EPICYCLIC UNIT-NORMAL DUTY	86
PTO SHAFT - WITHOUT INDEPENDANT PTO	88
CENTRE AXLE - ASSEMBLING	90
REAR AXLE CENTRE HOUSING	92
REAR AXLE-DIFFERENTIAL	94
REAR AXLE-DIFFERENTIAL LOCK MECHANISM	96
REAR AXLE-HOUSING	98
BRAKE PEDALS AND LINKAGE	102

TABLE OF CONTENT

00

HYDRAULIC BRAKE CONTROL-PEDAL - GERMANY	104
HYDRAULIC BRAKE CONTROL-PIPING - GERMANY	106
DRUM BRAKES	108
DUAL BRAKES	110
HANDBRAKE - SINGLE BRAKE	112
HANDBRAKE - DUAL BRAKES GERMANY	114
WHEELS	116
FRONT WHEELS	117A
AXLE SUPPORT	118
FRONT AXLE - MANUAL STEERING	120
FRONT AXLE - WHEEL HUB	122
STEERING WHEEL - MANUAL	124
STEERING GEAR - BOX	126
STEERING LINKAGE - MANUAL	128
HYDRAULIC PUMP-BODY SHAFT PISTON - LOW FLOW-WITHOUT AUXILIARY PUMP-WITHOUT PRESSURE MODULATION-WITH SIDE PTO	129A
HYDRAULIC PUMP-BODY SHAFT PISTON - LOW FLOW-WITHOUT AUXILIARY PUMP-WITHOUT PRESSURE MODULATION-WITHOUT SIDE PTO	129E
HYDRAULIC PUMP-STRAINER UNIT - WITHOUT PRESSURE MODULATION- MARK III	134
HYDRAULIC PUMP-OSCILLATOR VALVE - WITHOUT PRESSURE MODULATION-MARK III	136
HYDRAULIC LIFT COVER	138
QUADRANT SUPPORT - DRIVE SHAFT- WITHOUT PRESSURE MODULATION	139A
DRAFT AND POSITION CONTROLS - WITHOUT PRESSURE MODULATION	142
RESPONSE CONTROLS	144
LIFT ARMS - DRAFT AND POSITION CONTROL- WITHOUT PRESSURE MODULATION	146
LIFT ARMS	147A
LIFT ARMS - CYLINDER-UP TO 12-81	147C
LIFT ARMS - CYLINDER-FROM 12-81	147E
TOP LINKS - UPPER LINK	148
LOWER LINKS - LEVELLING BOX	150
LOWER LINKS - BOTTOM BAR	151A
LOWER LINKS - CHAIN	151C
LOWER LINKS - STAY-HITCH BAR	151E
LOWER LINKS - TELESCOPIC STAYS-HITCH BAR	151G
STABILIZERS	151I
HITCH-CRAMER	154
FRONT HITCH - GERMANY	156
SHEET METAL-GRILLE	158
SHEET METAL-HOOD	160
SHEET METAL-INSTRUMENT PANEL - UP TO SERIAL NUMBER	162
SHEET METAL-INSTRUMENT PANEL - FROM SERIAL NUMBER	166
SHEET METAL-PANEL WIRING - UP TO SERIAL NUMBER	168
SHEET METAL-FLAT TOP FENDERS	169A
SHEET METAL-FLAT TOP FENDERS - BRACKET AND LOWER SAFETY FRAME	169C
SHEET METAL-FLAT TOP FENDERS - FOOT REST	169E
SAFETY FRAME	176
SAFETY FRAME	177A
SAFETY FRAME	177C
FOOTSTEP	178
FOOTSTEP - ERGONOMIQUE	180
SEAT-BRENDEL - GERMANY	182
SEAT-SABLE	188
TRANSFERS	190
WIRING - ENGINE FROM SERIAL	191A

TABLE OF CONTENT

00

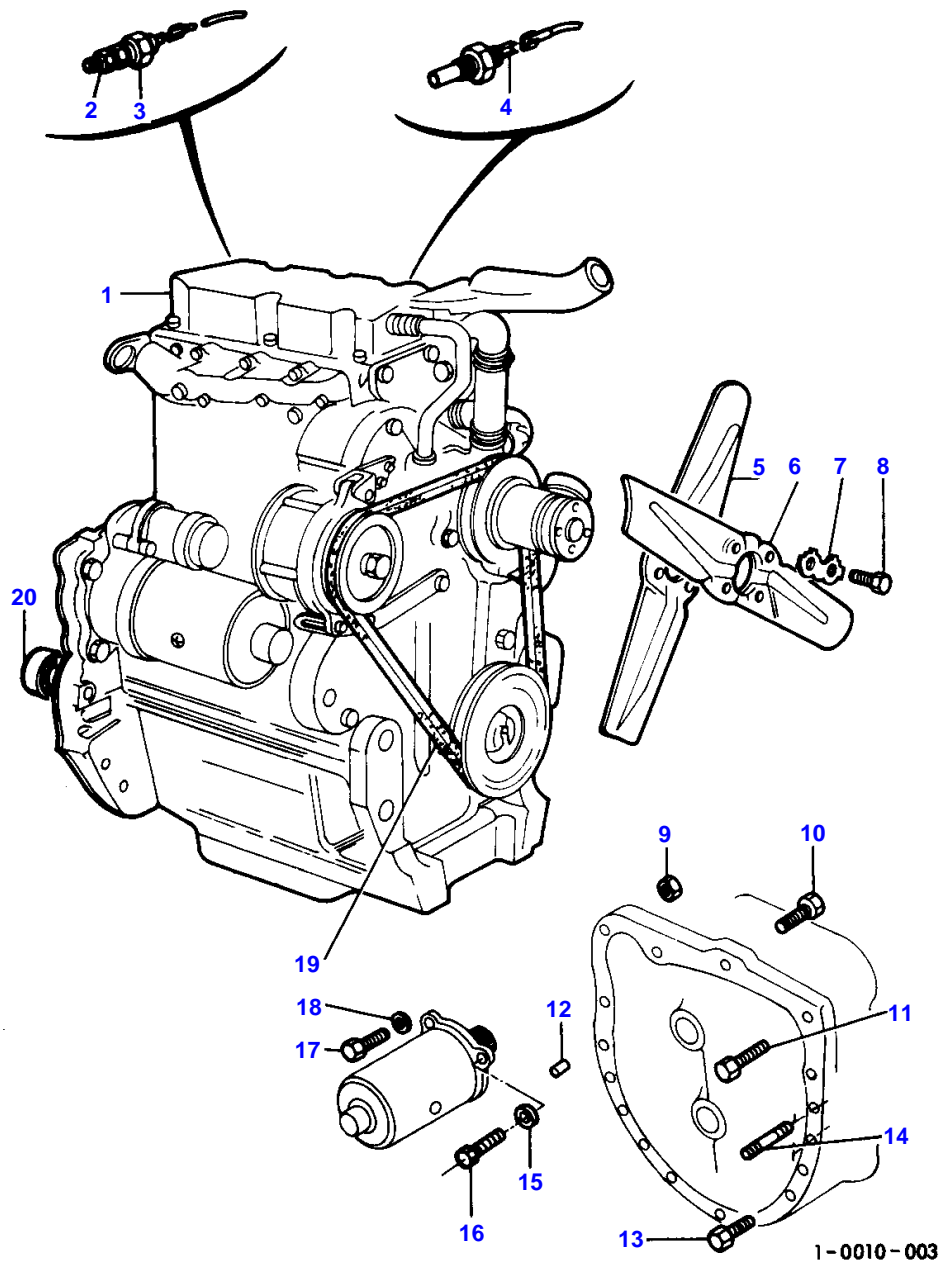
WIRING - ENGINE FROM SERIAL	191A
WIRING - INSTRUMENT PANEL- FROM SERIAL	191C
WIRING - FENDER- FROM SERIAL NO J 201023	191E
ELECTRICAL WIRING - UP TO SERIAL NO ...	192
FRONT LIGHTING EQUIPMENT - UP TO SERIAL NUMBER	194
FRONT LIGHTING EQUIPMENT - FROM SERIAL UP TO SERIAL NO J 195011	198
FRONT LIGHTING EQUIPMENT - FROM SERIAL NUMBER	200
REAR LIGHTING EQUIPMENT - UP TO SERIAL NO J 195011	202
REAR LIGHTING EQUIPMENT - LICENSE PLATE- FROM SERIAL NO J 201023	203C
ELECTRICAL WIRING - HORN	203E
REAR LIGHTING EQUIPMENT - FIELD LIGHTS	204
REAR LIGHTING EQUIPMENT	205A
REAR LIGHTING EQUIPMENT - FROM SERIAL NO J 195012	203A1

2

MOTEUR ET ACCESSOIRES
MOTOR UND ZUBEHOER
MOTORE ED ACCESSORI
MOTOR Y ACCESORIOS
ENGINE AND ACCESSORIES

00101010

1 0010 003



MASSEY FERGUSON**MF 235 TRACTOR, |-> 173013 (FR) - 1637058****1637058****ENGINE AND ACCESSORIES****2**

Item	Part Number	Qty	Description	Comments
1	1672509M91	1	Engine	AD3 152
	1672510M91	1	Engine	(A) AD3 152
2	355851X1	1	Bush	
3	1877721M92	1	Pressure Switch	
4	1877731M92	1	Sender	
5	963929M1	1	Blade Fan	
6	963930M1	1	Blade Fan	
7	897057M1	2	Brake	
8	361444X1	4	Screw	
9	363625X1	2	Nut	
10	362479X1	1	Screw	
11	362491X1	3	Screw	
12	191314M1	2	Centraliser	
13	362499X1	8	Screw	
14	191314M1	2	Centraliser	
15	353432X1	2	Lock Washer	
16	362501X1	2	Screw	
17	361773X1	1	Screw	
18	353432X1	1	Lock Washer	
19	1876670M1	1	Belt	
20	828123M1	1	Bearing Assy	

(A)

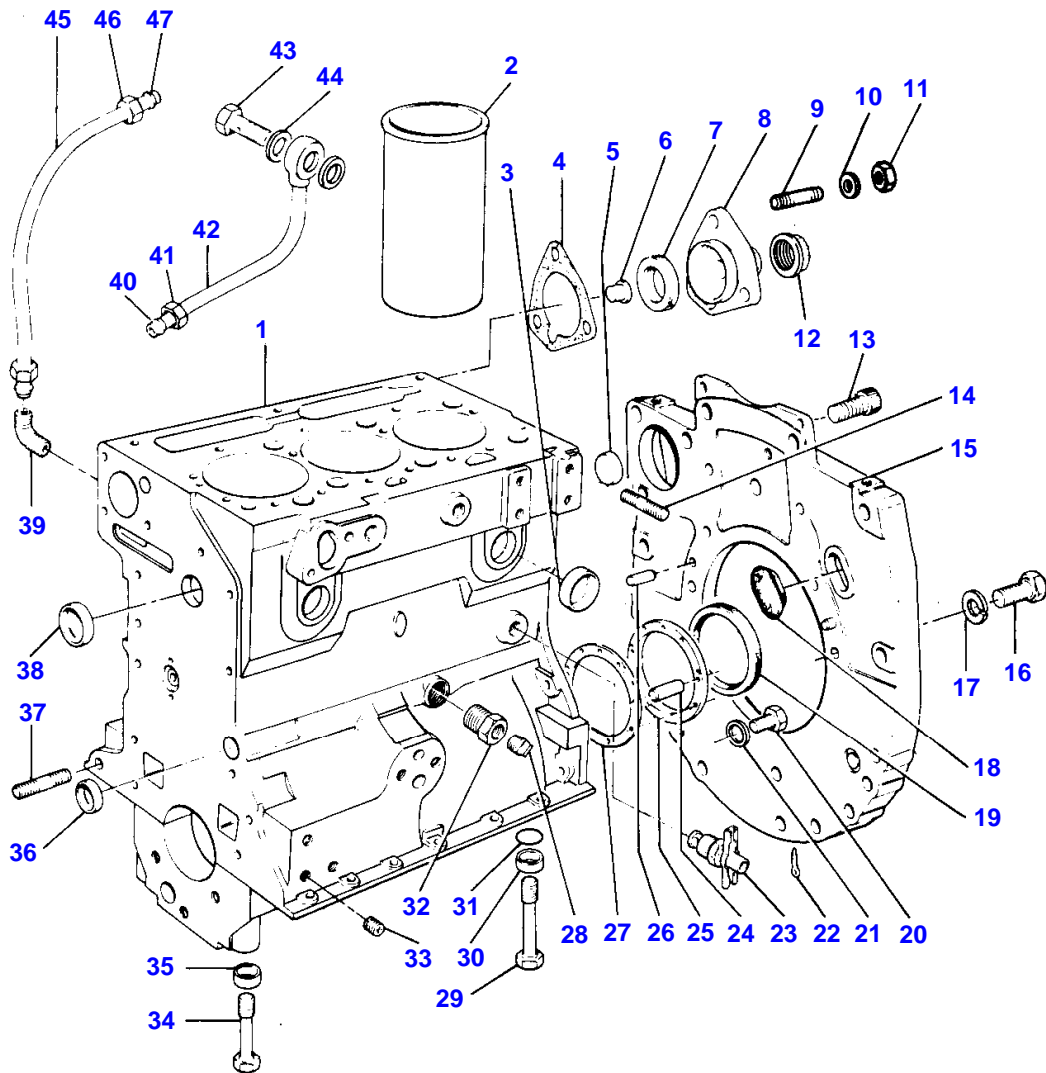
WITH ROAD SPEED LIMITING DEVICE

3A

BLOC CYLINDRES
ZYLINDERBLOCK
BLOCCO CILINDRI
BLOQUE DE CILINDROS
CYLINDER BLOCK

00501028

1 0050 032



1-0050-032

CYLINDER BLOCK

Item	Part Number	Qty	Description	Comments
1	61424	1	Cylinder Block	Up to Serial or Engine Number U635848G
	64573	1	Cylinder Block	From Serial or Engine Number U635849G
2	31358381	3	Liner	(1) (A)
2	31358345	X	Liner	(B)
3	0650563	4	Plug	
4	36862511	1	Joint	
5	0650664	1	Plug	(1)
6	33473106	1	Connection	
7	30854	1	Seal	
8	37416751	1	Housing	
9	0826201	3	Stud	(C)
10	0920053	3	Washer	(C)
11	0576002	3	Nut	(C)
12	32813106	1	Cap Nut	
13	0720798	2	Screw	
14	0826214	4	Stud	
15	37147974	1	Plate	
16	0746454	6	Setscrew	
17	0920054	6	Washer	
18	37813113	1	Plug	
19	2415391	1	Seal	
20	0746255	9	Setscrew	
21	0920003	9	Washer	
22	0610045	1	Pin	
23	31419	1	Cock	
24	0350015	2	Dowel	
25	37424611	1	Housing	
26	0350016	2	Dowel	
27	33826111	1	Joint	
28	0650594	1	Plug	
29	32181442	2	Screw	(1)
30	33137408	2	Thimble	(1)
31	2415608	2	O Ring	
32	0470682	1	Adaptor	
33	32114471	1	Plug	
34	32181441	6	Screw	(1)
35	33137408	6	Thimble	(1)
36	0650566	2	Plug	
37	32526512	1	Stud	
38	0650710	1	Plug	(1)
39	0201047	3	Connection	
40	0566002	1	Olive	(42)
41	0576111	1	Nut	(42)
42	35568319	1	Pipe	
43	0095350	1	Bolt	
44	0920126	2	Washer	
45	35352404	1	Pipe,Oil	
46	0576111	2	Nut	(45)
47	0566002	2	Olive	(45)

(A)
PRESS FIT

(B)
SLIP FIT

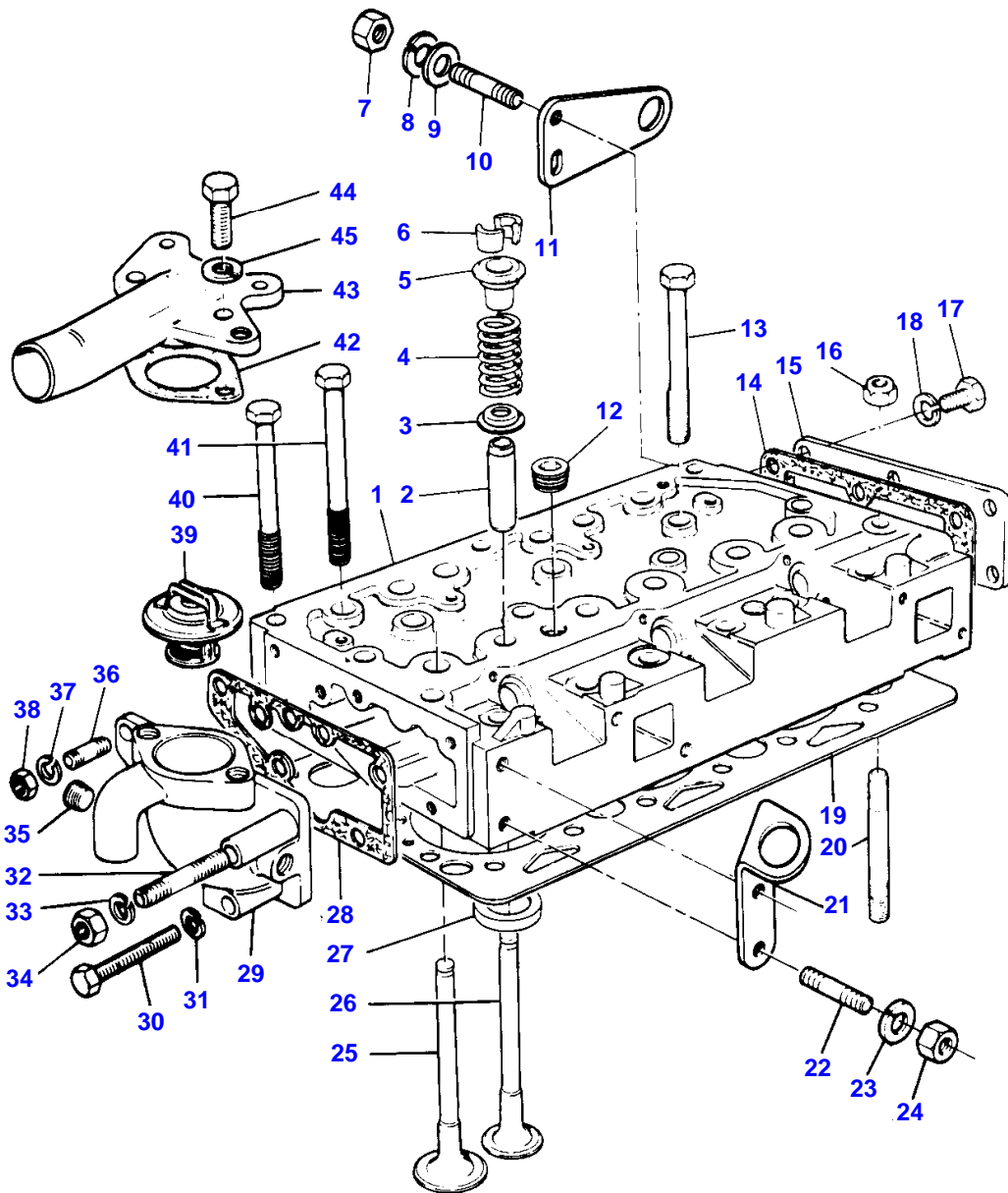
(C)
REPLACES 0746254+0920299

3E

CULASSE
 ZYLINDERKOPF
 TESTATA
 CULATA
 CYLINDER HEAD

00751023

1 0075 027



1-0075-027

CYLINDER HEAD

Item	Part Number	Qty	Description	Comments
1	68128	1	Cylinder Head	
	89141	1	Cylinder Head	
2	33261723	6	Guide	(1)
3	33415133	6	Washer	(1)
4	0780006	6	Spring	(1)
5	0150008	6	Cap	(1)
6	33173115	6	Cotter	(1) (A)
7	0576051	2	Nut	
8	0920054	2	Washer	
9	0920004	1	Washer	
10	0826466	2	Stud	
11	36237727	1	Plate	
12	2431154	2	Plug	
13	32181447	4	Screw	
14	0490485	1	Joint	
15	0940809	1	Plate	
16	33221315	2	Nut	
17	0746255	6	Setscrew	
18	0920053	6	Washer	
19	36812127	1	Gasket	
20	32524132	2	Stud	
21	36456321	1	Plate	
22	0826462	2	Stud	
23	0920054	2	Washer	
24	0576051	2	Nut	
25	31431281	3	Valve Inlet	(1) (B)
25	31431681	3	Valve Inlet	(1) (C)
26	31431591	3	Valve Exhaust	(1) (B)
26	31431761	3	Valve Exhaust	(1) (C)
27	33124428	3	Insert	
28	0490482	1	Joint	
29	37766362	1	Body	
30	0096437	1	Bolt	
31	0920054	1	Washer	
32	2215178	1	Stud	(D)
33	0920054	1	Washer	(D)
34	0576051	1	Nut	(D)
35	0650586	1	Plug	
36	0826214	1	Stud	(E)
37	0920053	1	Washer	(E)
38	0576002	1	Nut	(E)
39	2485666	1	Thermostat	
40	32181445	3	Screw	
41	32181446	9	Screw	
42	0490184	1	Joint	
43	37747581	1	Connection	
44	0096432	2	Screw	
45	0920054	2	Washer	

(A)
SERVICED IN PAIRS

(B)
USED ONLY WITH 68128

(C)
USED ONLY WITH 89141

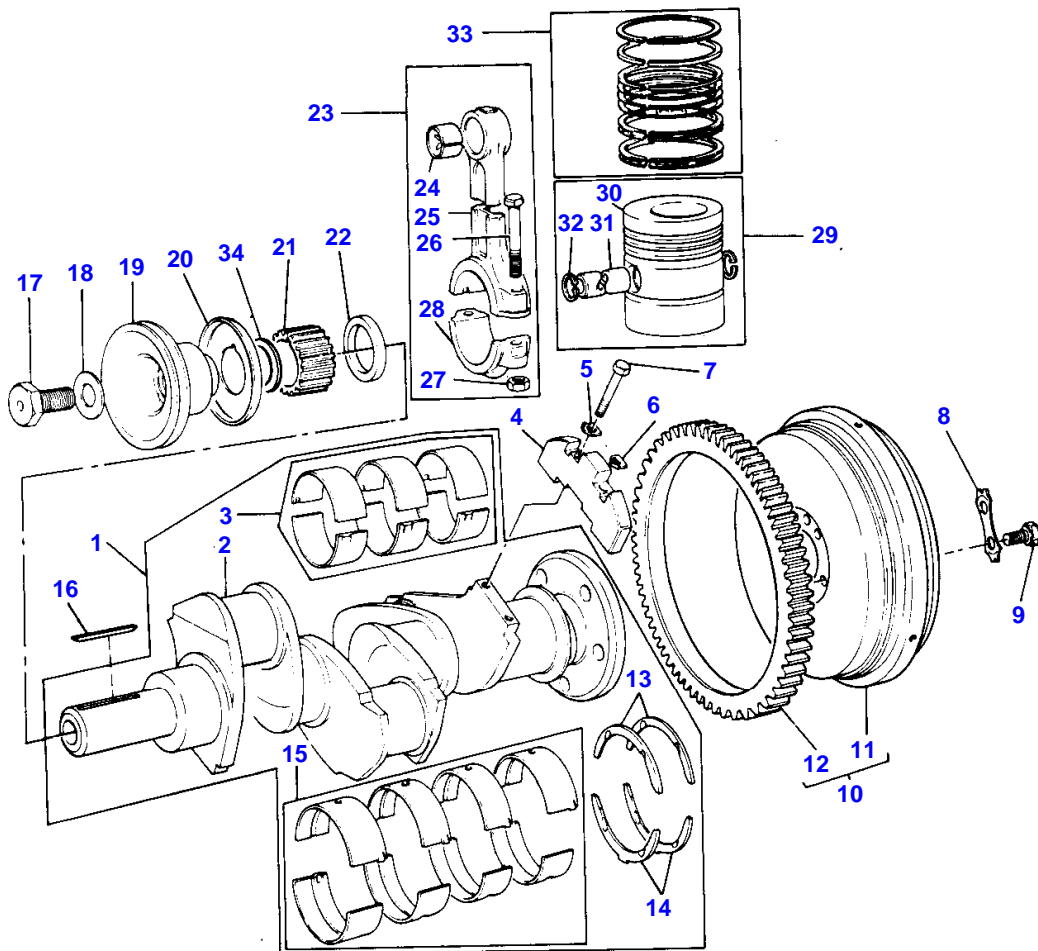
(D)
REPLACES 0096441+0920155

(E)
REPLACES 0746255+0920053

11A
 VILEBREQUIN
 KURBELWELLE
 ALBERO A MANOVELLA
 CIGUENAL
 CRANKSHAFT

00801017

1 0080 023



1-0080-023

CRANKSHAFT

Item	Part Number	Qty	Description	Comments
1	94458	1	Kit, Crankshaft	
2		1	Crankshaft	(1) Not serviced, order 94458
3	85036	1	Kit, Bearing	(1) (A)
3	85036A	X	Kit, Bearing	(A) Thickness -0,25MM
3	85036B	X	Kit, Bearing	(A) Thickness -0,50MM
3	85036C	X	Kit, Bearing	(A) Thickness -0,75MM
4	31328241	2	Weight	Repairs and replaces 0995415
5	31731515	2	Washer	Right Hand
6	31731516	2	Washer	Left Hand
7	2185189	4	Screw	
8	0921062	3	Tab Washer	
9	32162203	6	Screw	
10	41112797	1	Flywheel	
11		1	Flywheel	(10) Not serviced, order 41112797
12	0410236	1	Starter Ring	(10)
13	31137211	2	Thrust Washer	(1)
	31137212	X	Washer	Thickness +0,18MM
14	31137221	2	Thrust Washer	(1)
	31137222	X	Washer	Thickness +0,18MM
15	68084	1	Kit, Bearing	(1) (A) Repairs and replaces 68083-58703
15	68084A	X	Kit, Bearing	(A) Thickness -0,25MM
15	68084B	X	Kit, Bearing	(A) Thickness -0,50MM
15	68084C	X	Kit, Bearing	(A) Thickness -0,75MM
16	36271704	1	Woodruff Key	
17	32162312	1	Screw	
18	33125112	1	Washer	
19	31143733	1	Pulley,Crank	
20	33176308	1	Flange	(D)
21	0410132	1	Gear,Crankshaft	
22	0330811	1	Spacer	
23	M7BJ0014	3	Kit, Conrod	Repairs and replaces 91051
24	31134151	1	Bush	(23)
25		1	Piston Rod	(23) Not serviced, order 91051
26	0095250	2	Bolt	(23)
27	33221327	2	Nut	(23) Repairs and replaces 33221319
28		1	Cover	(23) Not serviced, order 91051
29	68331	3	Kit, Piston	(B)
	68332	3	Kit, Piston	(C)
30		3	Piston	(29) Not serviced, order 68331-68332
31		3	Piston Pin	(29) Not serviced, order 68331-68332
32	0170001	6	Circlip	(29)
33	41158057	3	Kit, Piston Ring	
35			Not Used	

(A)
PRE-FINISHED

(B)
UNTOPPED

(C)
PRE-TOPPED

(D)

MASSEY FERGUSON

MF 235 TRACTOR, |-> 173013 (FR) - 1637058

1637058

CRANKSHAFT

11A

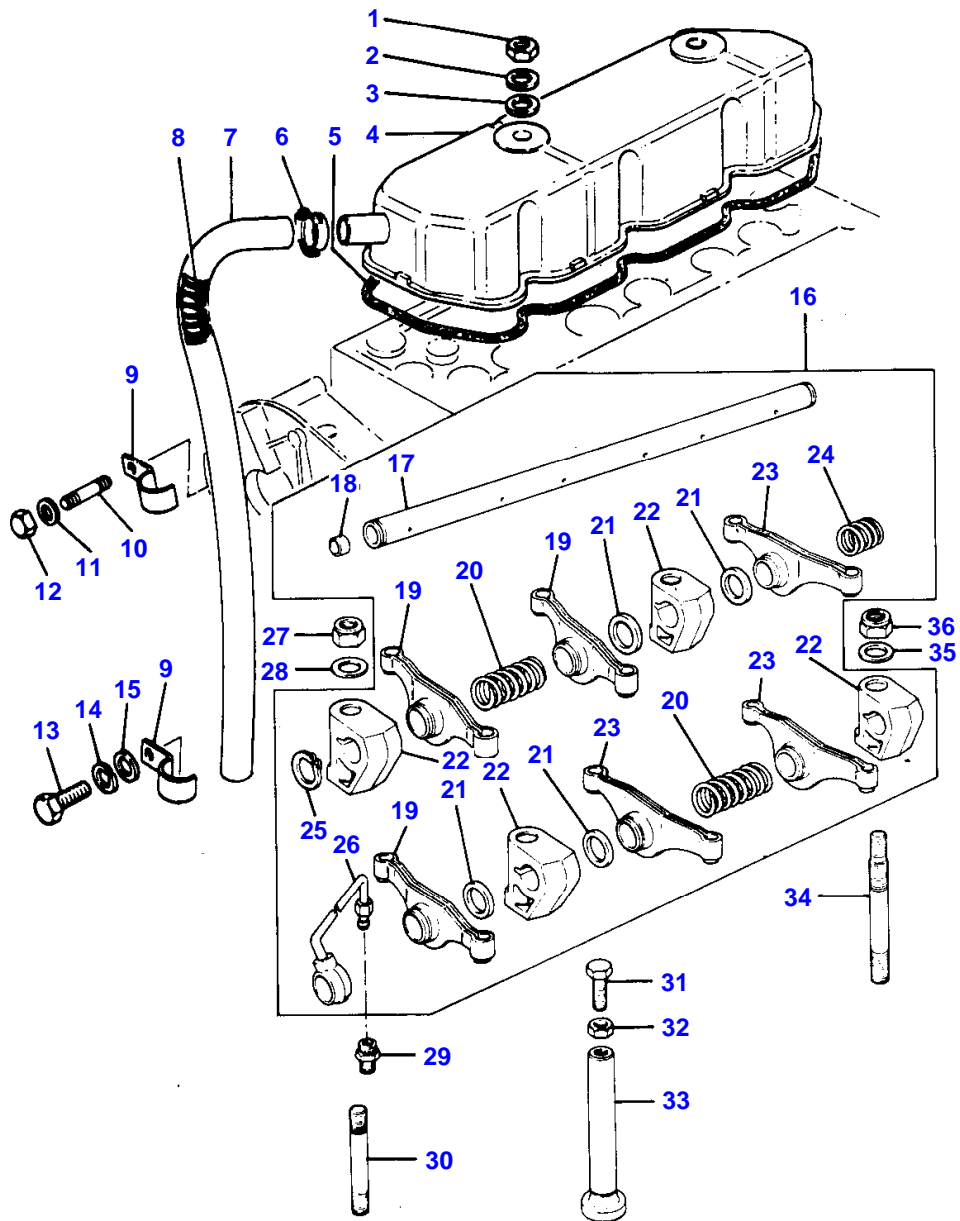
Item	Part Number	Qty	Description	Comments
				ORDER 33176137-2415343

12

CACHE CULBUTEURS
 ZYLINDERKOPFDECKEL
 COPERCHIO TESTATA
 TAPA CULATA
 CYLINDER HEAD COVER

00851011

1-0085-018



1-0085-018

CYLINDER HEAD COVER

Item	Part Number	Qty	Description	Comments
1	0576102	2	Nut	
2	0920003	2	Washer	
3	0920302	2	Washer	
4	37188571	1	Cyl.Head Cover	
5	36811115	1	Joint	
6	0180063	1	Clip	Repairs and replaces 2481802
7	33872531	1	Pipe	
8	31754118	1	Spring	
9	36561129	2	Clip	
10	0827622	1	Stud	
11	0920053	1	Washer	
12	0576002	1	Nut	
13	0748354	1	Screw	
14	0920052	1	Washer	
15	0920002	1	Washer	
16	83135	1	Rocker Shaft	
17	53843	1	Rocker Shaft	(16)
18	0650507	2	Plug	(17)
19	0520430	3	Lever	(16) Right Hand
20	0780005	2	Spring	(16)
21	0330505	4	Spacer	(16)
22	0101138	4	Bracket	(16)
23	0520429	3	Lever	(16) Left Hand
24	0780175	1	Spring	(16)
25	0170033	2	Circlip	(16)
26	35568352	1	Pipe,Oil	(16)
27	2211283	2	Nut	
28	0920004	2	Washer	
29	0206002	1	Union	
30	2214209	2	Stud	Repairs and replaces 0826469
31	0720677	6	Screw	
32	0576052	6	Nut	
33	0860012	6	Tappet	
34	32754435	2	Stud	Repairs and replaces 32754412
35	2211283	2	Nut	
36	0920004	2	Washer	

Buy Now



Our support email:

ebooklibonline@outlook.com