

Page Title	Page Number
ENGINE AND ACCESSORIES	2
CYLINDER BLOCK	3A
CYLINDER HEAD	3E
CRANKSHAFT	10
CYLINDER HEAD COVER	12
TIMING GEAR	14
ALTERNATOR POSITIONER	16
WATER PUMP	17A
AIR INDUCTION AND EXHAUST SYSTEM	20
FUEL OIL LIFT PUMP - FITTING 2 STUDS	22
FUEL INJECTION EQUIPMENT	24
LUBRICATING OIL SUMP	26
JOINTS AND GASKETS	28
BATTERY	30
ELECTRICAL EQUIPMENT - UP TO SERIAL NUMBER	32
ALTERNATOR-MOTOROLA	36
ALTERNATOR-MOTOROLA	37A
STARTER-DUCELLIER	38
ALTERNATOR-LUCAS	40
ALTERNATOR-LUCAS	41A
STARTER-LUCAS	42
STARTER-LUCAS - AAA	44
STARTER-LUCAS	45A
STARTER-PARIS RHONE	45E
COOLING SYSTEM	46
FUEL TANK AND ATTACHMENTS	48
FUEL FILTERS AND PIPES	50
FUEL FILTER	52
AIR FILTER-OIL BATH AIR FILTER	54
MUFFLER VERTICAL	56
HAND THROTTLE CONTROL	58
THROTTLE CONTROLS - FOOTTHROTTLE	60
DUAL CLUTCH	62
CLUTCH PEDAL AND LINKAGE	64
8 SPEED SYNCHROMESH TRANSMISSION-HOUSING	66
TRANSMISSION-HOUSING - AAA	68
TRANSMISSION-GEAR TRAIN - NO SYNCHRO-MESH- AAA	70
8 SPEED SYNCHROMESH TRANSMISSION-MAIN SHAFT	74
SYNCHRO	76
8 SPEED SYNCHROMESH TRANSMISSION-COUNTERSHAFT	78
8 SPEED SYNCHROMESH TRANSMISSION - REVERSE SPEED PINION	80
8 SPEED SYNCHROMESH TRANSMISSION-CONTROL	82
TRANSMISSION-SHIFT CONTROL - NO SYNCHRO- AAA	84
8 SPEED SYNCHROMESH TRANSMISSION-FORK AND GEAR SHIFTRAIL - SYNCHRO- ZF	86
8 SPEED SYNCHROMESH TRANSMISSION-MAIN SHAFT - SYNCHRO- ZF	88
SYNCHRO - ZF- 8 SPEED TRANSMISSION	90
8 SPEED SYNCHROMESH TRANSMISSION-COUNTERSHAFT - SYNCHRO- ZF	92
EPICYCLIC UNIT-NORMAL DUTY	94
PTO SHAFT - WITHOUT INDEPENDANT PTO	96
CENTRE AXLE - ASSEMBLING	98
REAR AXLE CENTRE HOUSING	100
REAR AXLE-DIFFERENTIAL	102

TABLE OF CONTENT

00

REAR AXLE-DIFFERENTIAL LOCK MECHANISM	104
REAR AXLE-HOUSING	106
BRAKE PEDALS AND LINKAGE	108
DRUM BRAKES	110
HANDBRAKE - SINGLE BRAKE	112
WHEELS	114
FRONT WHEELS	115A
AXLE SUPPORT	116
FRONT AXLE - MANUAL STEERING	118
FRONT AXLE - POWER STEERING	120
FRONT AXLE - WHEEL HUB	122
STEERING WHEEL - MANUAL	124
STEERING WHEEL - POWER STEERING	126
STEERING GEAR - BOX	128
STEERING LINKAGE - MANUAL	132
STEERING LINKAGE - POWER STEERING	134
STEERING HYDRAULIC LINES - POWER STEERING UP TO SERIAL NO Z 277018	136
STEERING HYDRAULIC LINES - FROM SERIAL NO Z 277019	137A
STEERING PUMP-PLESSEY	138
POWER STEERING VALVE	140
STEERING CYLINDER	142
STEERING CYLINDER	143A
HYDRAULIC PUMP-BODY SHAFT PISTON - LOW FLOW-WITHOUT AUXILIARY PUMP-WITH PRESSURE MODULATION	143C
HYDRAULIC PUMP-BODY SHAFT PISTON - LOW FLOW-WITHOUT AUXILIARY PUMP-WITHOUT PRESSURE MODULATION-WITHOUT SIDE PTO	143E
HYDRAULIC PUMP-STRAINER UNIT	143I
HYDRAULIC PUMP-PRESSURE CONTROL VALVE	156
HYDRAULIC PUMP-OSCILLATOR VALVE	157A
HYDRAULIC LIFT COVER	162
QUADRANT SUPPORT - DRIVE SHAFT- WITHOUT PRESSURE MODULATION	163A
QUADRANT SUPPORT - DRIVE SHAFT- WITH PRESSURE MODULATION	163C
DRAFT AND POSITION CONTROLS - WITHOUT PRESSURE MODULATION	166
DRAFT AND POSITION CONTROLS - WITH PRESSURE MODULATION	168
RESPONSE CONTROLS	170
LIFT ARMS - DRAFT AND POSITION CONTROL- WITH PRESSURE MODULATION	171A
LIFT ARMS	171C
LIFT ARMS - CYLINDER-UP TO 12-81	171E
LIFT ARMS - CYLINDER-FROM 12-81	171G
TOP LINKS - UPPER LINK	178
LOWER LINKS - LEVELLING BOX	180
LOWER LINKS - BOTTOM BAR	181A
LOWER LINKS - CHAIN	181C
LOWER LINKS - STAY-HITCH BAR	181E
STABILIZERS	181G
SWINGING DRAWBAR - AAA	184
FRONT HITCH	186
SHEET METAL-GRILLE	187A
SHEET METAL-HOOD	187C
SHEET METAL-INSTRUMENT PANEL - UP TO SERIAL NUMBER	192
SHEET METAL-INSTRUMENT PANEL - FROM SERIAL NUMBER	196
SHEET METAL-PANEL WIRING - UP TO SERIAL NUMBER	198
SHEET METAL-FLAT TOP FENDERS	199A
SHEET METAL-FLAT TOP FENDERS - BRACKET AND LOWER SAFETY FRAME	199C
SAFETY FRAME	206

TABLE OF CONTENT

00

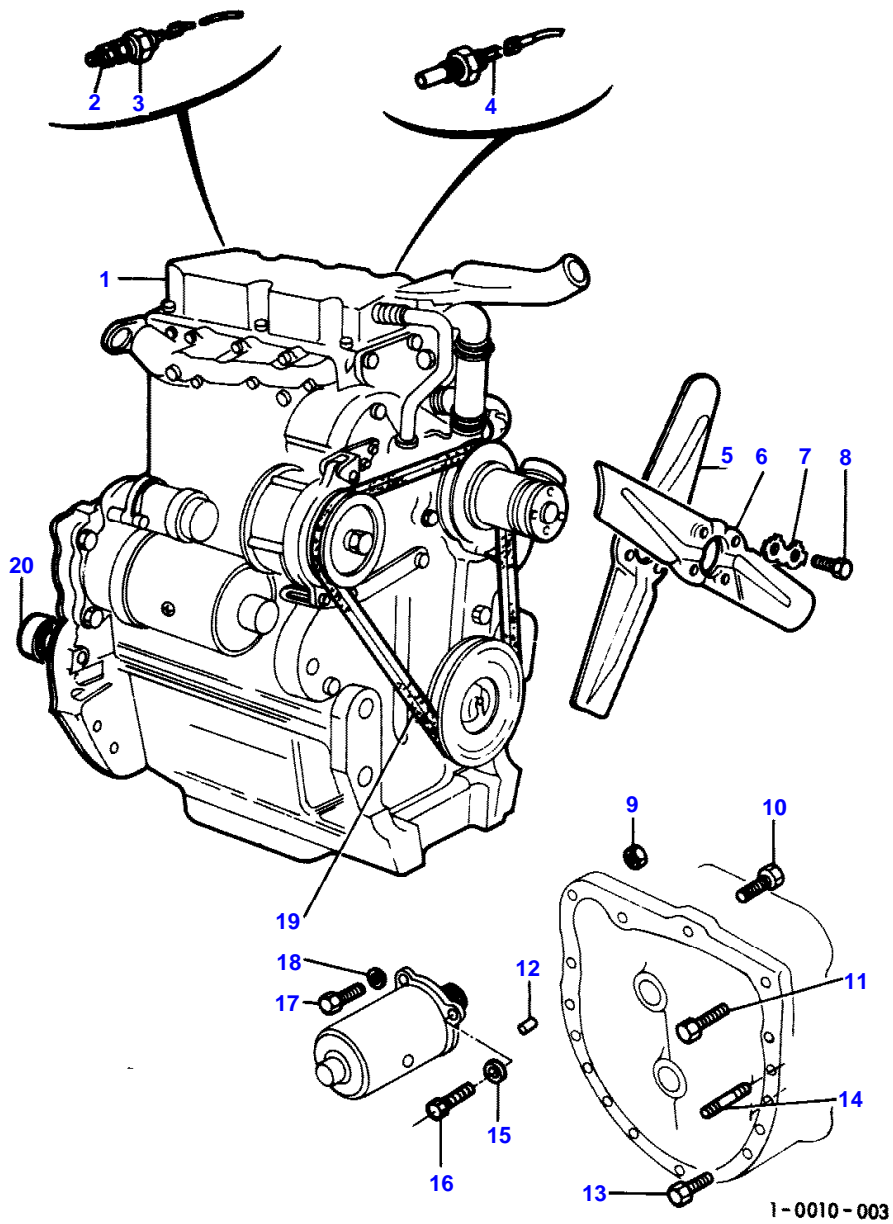
SAFETY FRAME	207A
FOOTSTEP	208
SEAT-FRITZMEYER	210
SEAT-SABLE	212
SEAT-SABLE	214
TRANSFERS	216
WIRING - ENGINE FROM SERIAL	217A
WIRING - INSTRUMENT PANEL- FROM SERIAL	217C
WIRING - FENDER- FROM SERIAL NO J 201023	217E
ELECTRICAL WIRING - UP TO SERIAL NO ...	218
FRONT LIGHTING EQUIPMENT - UP TO SERIAL NUMBER	220
FRONT LIGHTING EQUIPMENT - FROM SERIAL UP TO SERIAL NO J 195011	224
FRONT LIGHTING EQUIPMENT - FROM SERIAL NUMBER	226
REAR LIGHTING EQUIPMENT - UP TO SERIAL NO J 195011	228
REAR LIGHTING EQUIPMENT - FROM SERIAL NO J 195012	229A
REAR LIGHTING EQUIPMENT - LICENSE PLATE- FROM SERIAL NO J 201023	229C
ELECTRICAL WIRING - HORN	229E
REAR LIGHTING EQUIPMENT - FIELD LIGHTS	230
REAR LIGHTING EQUIPMENT	231A
LIFT ARMS - DRAFT AND POSITION CONTROL- WITHOUT PRESSURE MODULATION	171B1

2

MOTEUR ET ACCESSOIRES
MOTOR UND ZUBEHOER
MOTORE ED ACCESSORI
MOTOR Y ACCESORIOS
ENGINE AND ACCESSORIES

00101010

1 0010 003



MASSEY FERGUSON**MF 245 TRACTOR, |-> (FR) - 1637059****1637059****ENGINE AND ACCESSORIES****2**

Item	Part Number	Qty	Description	Comments
1	1662736M91	1	Engine	AD3 152
	1672513M91	1	Engine	(B) AD3.152
2	355851X1	1	Bush	
3	1877721M92	1	Pressure Switch	
4	1877731M92	1	Sender	
5	963929M1	1	Blade Fan	
6	963930M1	1	Blade Fan	
7	897057M1	2	Brake	
8	361444X1	4	Screw	
9	363625X1	2	Nut	
10	362479X1	1	Screw	
11	362491X1	3	Screw	
12	191314M1	2	Centraliser	
13	362499X1	8	Screw	
14	191314M1	2	Centraliser	
15	353432X1	2	Lock Washer	
16	362501X1	2	Screw	
17	361773X1	1	Screw	
18	353432X1	1	Lock Washer	
19	1876670M1	1	Belt	
20	828123M1	1	Bearing Assy	

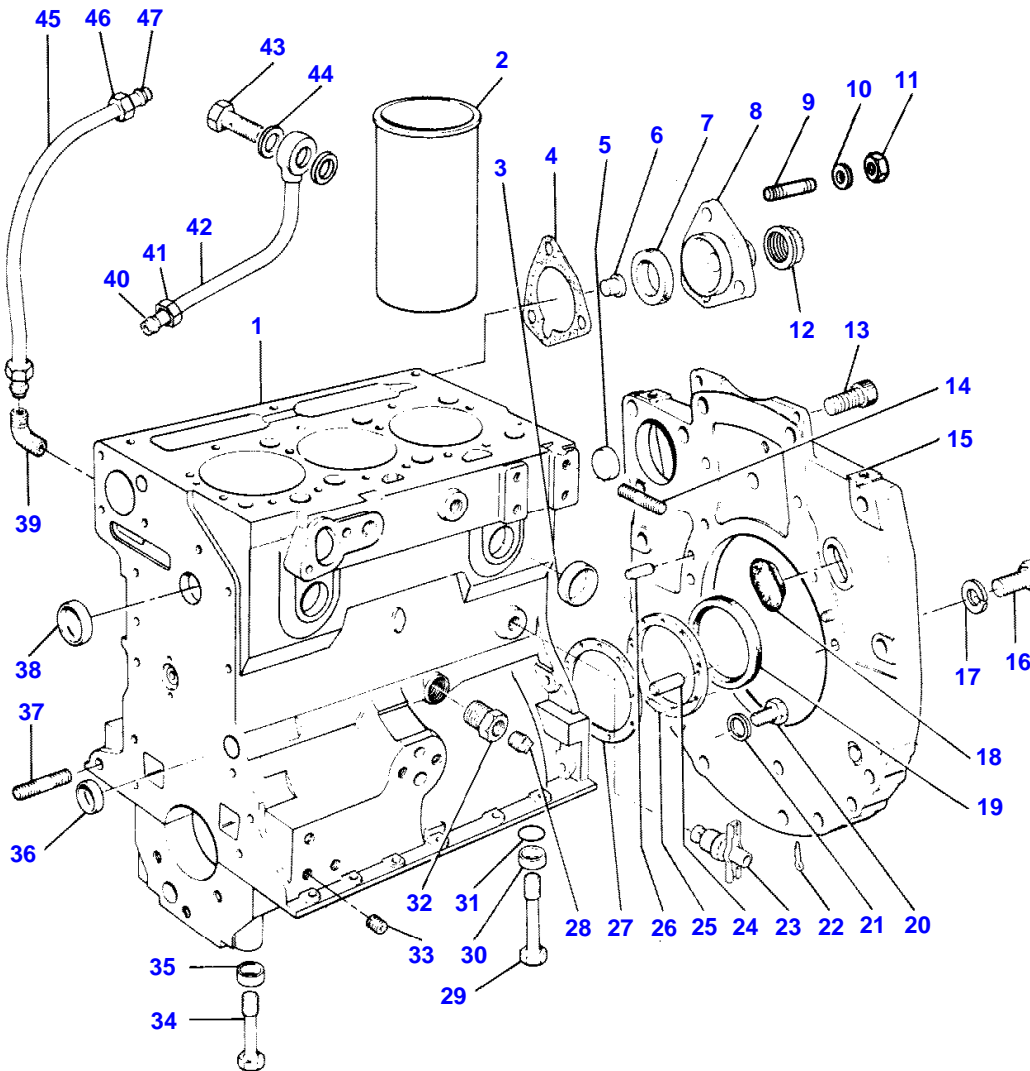
(B)
WHEEL 10X32

3A

BLOC CYLINDRES
 ZYLINDERBLOCK
 BLOCCO CILINDRI
 BLOQUE DE CILINDROS
 CYLINDER BLOCK

00501028

1 0050 032



1 - 0050 - 032

CYLINDER BLOCK

Item	Part Number	Qty	Description	Comments
1	61424	1	Cylinder Block	Up to Serial or Engine Number U635848G
	64573	1	Cylinder Block	From Serial or Engine Number U635849G
2	31358381	3	Liner	(1) (A)
2	31358345	X	Liner	(B)
3	0650563	4	Plug	
4	36862511	1	Joint	
5	0650664	1	Plug	(1)
6	33473106	1	Connection	
7	30854	1	Seal	
8	37416751	1	Housing	
9	0826201	3	Stud	(C)
10	0920053	3	Washer	(C)
11	0576002	3	Nut	(C)
12	32813106	1	Cap Nut	
13	0720798	2	Screw	
14	0826214	4	Stud	
15	37147974	1	Plate	
16	0746454	6	Setscrew	
17	0920054	6	Washer	
18	37813113	1	Plug	
19	2415391	1	Seal	
20	0746255	9	Setscrew	
21	0920003	9	Washer	
22	0610045	1	Pin	
23	31419	1	Cock	
24	0350015	2	Dowel	
25	37424611	1	Housing	
26	0350016	2	Dowel	
27	33826111	1	Joint	
28	0650594	1	Plug	
29	32181442	2	Screw	(1)
30	33137408	2	Thimble	(1)
31	2415608	2	O Ring	
32	0470682	1	Adaptor	
33	32114471	1	Plug	
34	32181441	6	Screw	(1)
35	33137408	6	Thimble	(1)
36	0650566	2	Plug	
37	32526512	1	Stud	
38	0650710	1	Plug	(1)
39	0201047	3	Connection	
40	0566002	1	Olive	(42)
41	0576111	1	Nut	(42)
42	35568319	1	Pipe	
43	0095350	1	Bolt	
44	0920126	2	Washer	
45	35352404	1	Pipe,Oil	
46	0576111	2	Nut	(45)
47	0566002	2	Olive	(45)

(A)
PRESS FIT

(B)
SLIP FIT

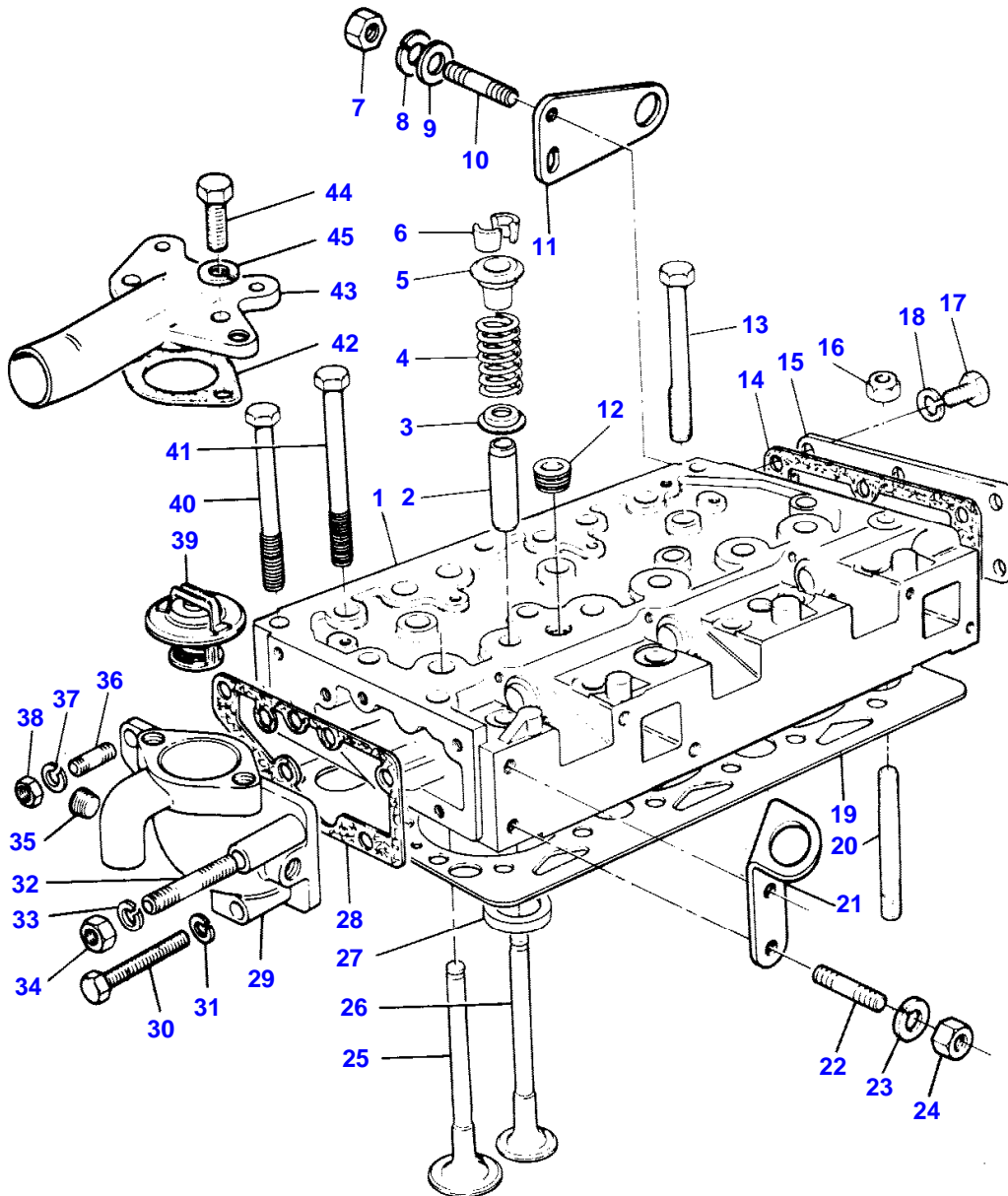
(C)
REPLACES 0746254+0920299

3E

CULASSE
 ZYLINDERKOPF
 TESTATA
 CULATA
 CYLINDER HEAD

00751023

1 0075 027



1-0075-027

CYLINDER HEAD

Item	Part Number	Qty	Description	Comments
1	68128	1	Cylinder Head	
	89141	1	Cylinder Head	
2	33261723	6	Guide	(1)
3	33415133	6	Washer	(1)
4	0780006	6	Spring	(1)
5	0150008	6	Cap	(1)
6	33173115	6	Cotter	(1) (A)
7	0576051	2	Nut	
8	0920054	2	Washer	
9	0920004	1	Washer	
10	0826466	2	Stud	
11	36237727	1	Plate	
12	2431154	2	Plug	
13	32181447	4	Screw	
14	0490485	1	Joint	
15	0940809	1	Plate	
16	33221315	2	Nut	
17	0746255	6	Setscrew	
18	0920053	6	Washer	
19	36812127	1	Gasket	
20	32524132	2	Stud	
21	36456321	1	Plate	
22	0826462	2	Stud	
23	0920054	2	Washer	
24	0576051	2	Nut	
25	31431281	3	Valve Inlet	(1) (B)
25	31431681	3	Valve Inlet	(1) (C)
26	31431591	3	Valve Exhaust	(1) (B)
26	31431761	3	Valve Exhaust	(1) (C)
27	33124428	3	Insert	
28	0490482	1	Joint	
29	37766362	1	Body	
30	0096437	1	Bolt	
31	0920054	1	Washer	
32	2215178	1	Stud	(D)
33	0920054	1	Washer	(D)
34	0576051	1	Nut	(D)
35	0650586	1	Plug	
36	0826214	1	Stud	(E)
37	0920053	1	Washer	(E)
38	0576002	1	Nut	(E)
39	2485666	1	Thermostat	
40	32181445	3	Screw	
41	32181446	9	Screw	
42	0490184	1	Joint	
43	37747581	1	Connection	
44	0096432	2	Screw	
45	0920054	2	Washer	

(A)
SERVICED IN PAIRS

(B)
USED ONLY WITH 68128

(C)
USED ONLY WITH 89141

(D)
REPLACES 0096441+0920155

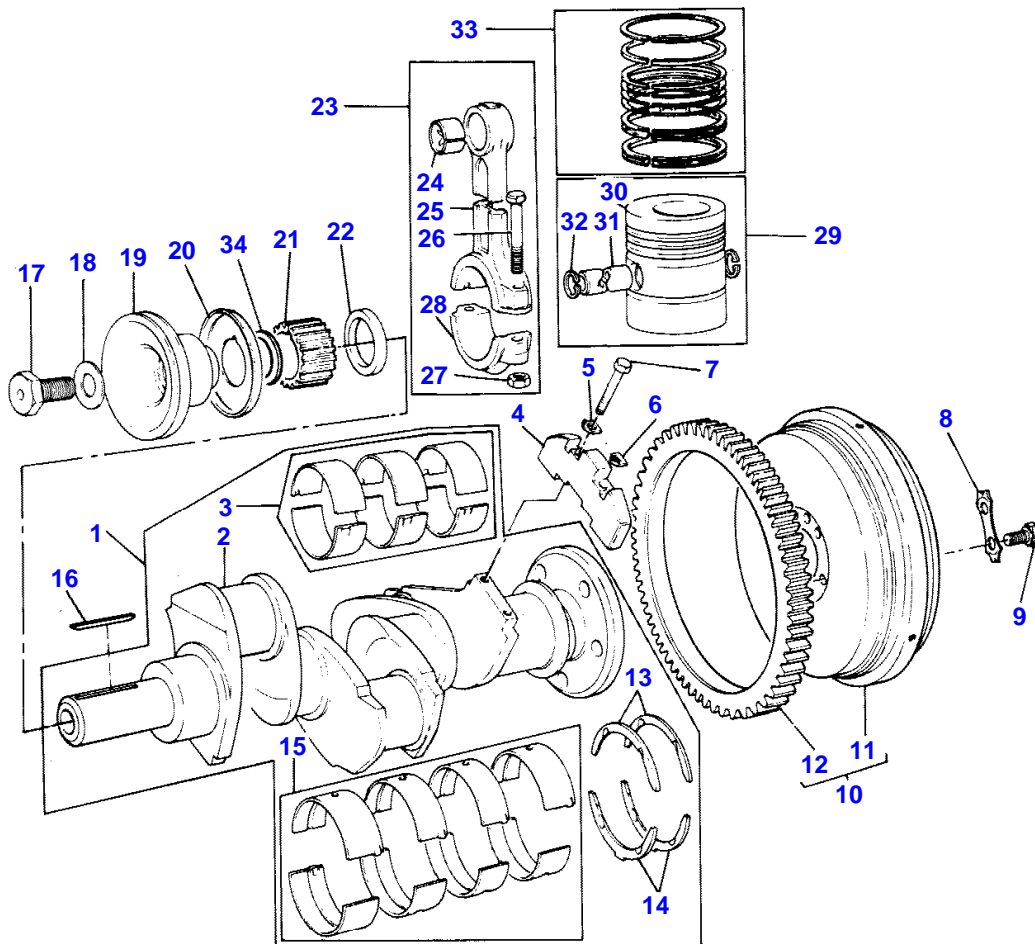
(E)
REPLACES 0746255+0920053

10

VILEBREQUIN
 KURBELWELLE
 ALBERO A MANOVELLA
 CIGUENAL
 CRANKSHAFT

00801017

1 0080 023



1-0080-023

CRANKSHAFT

Item	Part Number	Qty	Description	Comments
1	94458	1	Kit, Crankshaft	
2		1	Crankshaft	(1) Not serviced, order 94458
3	85036	1	Kit, Bearing	(1) (A)
3	85036A	X	Kit, Bearing	(A) Thickness -0,25MM
3	85036B	X	Kit, Bearing	(A) Thickness -0,50MM
3	85036C	X	Kit, Bearing	(A) Thickness -0,75MM
4	31328241	2	Weight	Repairs and replaces 0995415
5	31731515	2	Washer	Right Hand
6	31731516	2	Washer	Left Hand
7	2185189	4	Screw	
8	0921062	3	Tab Washer	
9	32162203	6	Screw	
10	41112797	1	Flywheel	
11		1	Flywheel	(10) Not serviced, order 41112797
12	0410236	1	Starter Ring	(10)
13	31137211	2	Thrust Washer	(1)
	31137212	X	Washer	Thickness +0,18MM
14	31137221	2	Thrust Washer	(1)
	31137222	X	Washer	Thickness +0,18MM
15	68084	1	Kit, Bearing	(1) (A) Repairs and replaces 68083-58703
15	68084A	X	Kit, Bearing	(A) Thickness -0,25MM
15	68084B	X	Kit, Bearing	(A) Thickness -0,50MM
15	68084C	X	Kit, Bearing	(A) Thickness -0,75MM
16	36271704	1	Woodruff Key	
17	32162312	1	Screw	
18	33125112	1	Washer	
19	31143733	1	Pulley,Crank	
20	33176308	1	Flange	(D)
21	0410132	1	Gear,Crankshaft	
22	0330811	1	Spacer	
23	M7BJ0014	3	Kit, Conrod	Repairs and replaces 91051
24	31134151	1	Bush	(23)
25		1	Piston Rod	(23) Not serviced, order 91051
26	0095250	2	Bolt	(23)
27	33221327	2	Nut	(23) Repairs and replaces 33221319
28		1	Cover	(23) Not serviced, order 91051
29	68331	3	Kit, Piston	(B)
	68332	3	Kit, Piston	(C)
30		3	Piston	(29) Not serviced, order 68331-68332
31		3	Piston Pin	(29) Not serviced, order 68331-68332
32	0170001	6	Circlip	(29)
33	41158057	3	Kit, Piston Ring	
35			Not Used	
				(A) PRE-FINISHED
				(B) UNTOPPED
				(C) PRE-TOPPED
				(D)

MASSEY FERGUSON

MF 245 TRACTOR, |-> (FR) - 1637059

1637059

CRANKSHAFT

10

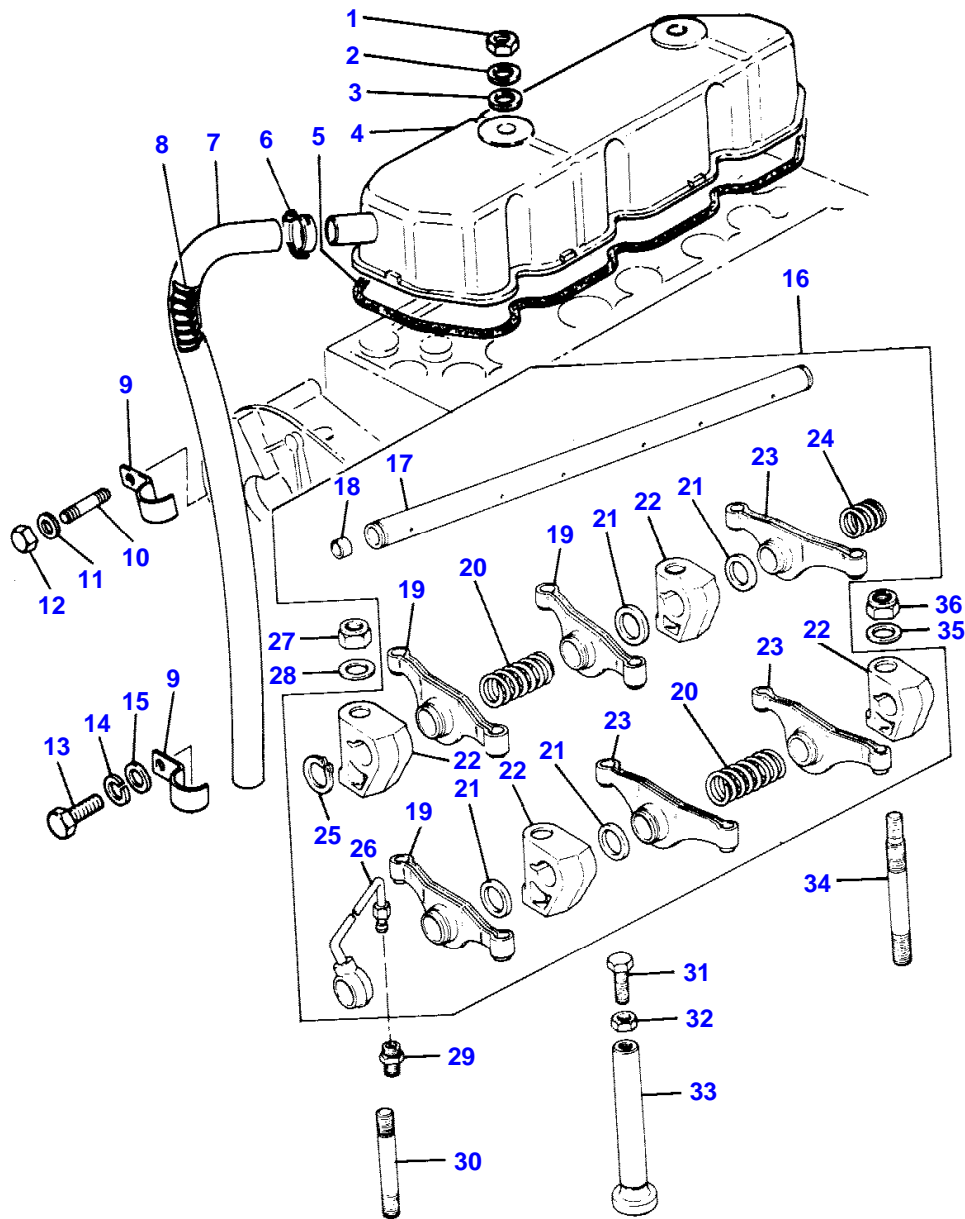
Item	Part Number	Qty	Description	Comments
				ORDER 33176137-2415343

12

CACHE CULBUTEURS
 ZYLINDERKOPFDECKEL
 COPERCHIO TESTATA
 TAPA CULATA
 CYLINDER HEAD COVER

00851011

1-0085-018



1-0085-018

CYLINDER HEAD COVER

Item	Part Number	Qty	Description	Comments
1	0576102	2	Nut	
2	0920003	2	Washer	
3	0920302	2	Washer	
4	37188571	1	Cyl.Head Cover	
5	36811115	1	Joint	
6	0180063	1	Clip	Repairs and replaces 2481802
7	33872531	1	Pipe	
8	31754118	1	Spring	
9	36561129	2	Clip	
10	0827622	1	Stud	
11	0920053	1	Washer	
12	0576002	1	Nut	
13	0748354	1	Screw	
14	0920052	1	Washer	
15	0920002	1	Washer	
16	83135	1	Rocker Shaft	
17	53843	1	Rocker Shaft	(16)
18	0650507	2	Plug	(17)
19	0520430	3	Lever	(16) Right Hand
20	0780005	2	Spring	(16)
21	0330505	4	Spacer	(16)
22	0101138	4	Bracket	(16)
23	0520429	3	Lever	(16) Left Hand
24	0780175	1	Spring	(16)
25	0170033	2	Circlip	(16)
26	35568352	1	Pipe,Oil	(16)
27	2211283	2	Nut	
28	0920004	2	Washer	
29	0206002	1	Union	
30	2214209	2	Stud	Repairs and replaces 0826469
31	0720677	6	Screw	
32	0576052	6	Nut	
33	0860012	6	Tappet	
34	32754435	2	Stud	Repairs and replaces 32754412
35	2211283	2	Nut	
36	0920004	2	Washer	

Buy Now



Our support email:

ebooklibonline@outlook.com