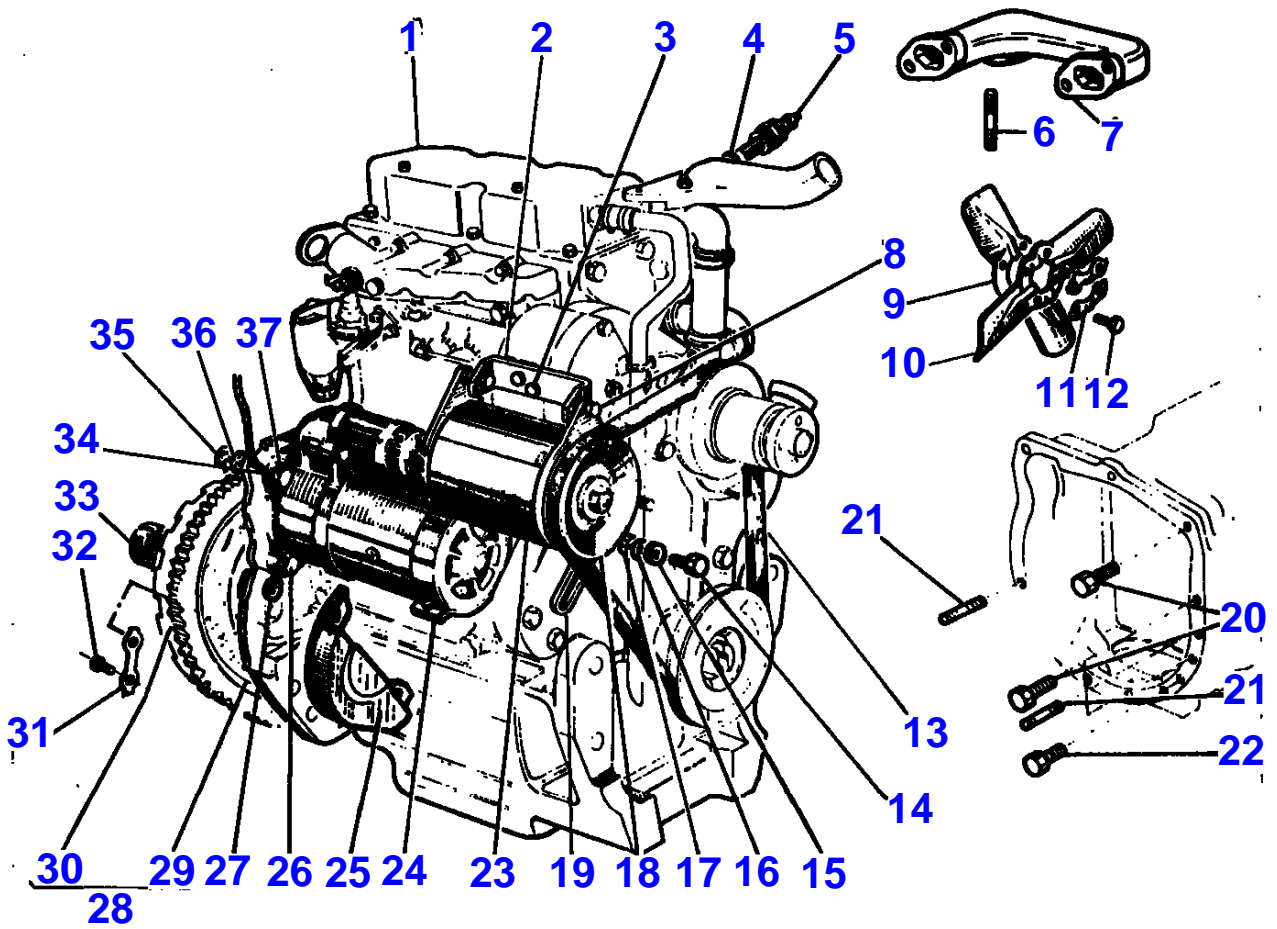


Page Title	Page Number
ENGINE AND ACCESSORIES - UP TO SERIAL 11-1981	1
ENGINE AND ACCESSORIES - FROM 12-1981	2
CYLINDER BLOCK	3
CRANKSHAFT, PISTONS AND CONNECTING RODS - AD3.152 ENGINE	4
CYLINDER HEAD - UP TO 11-1981	5
CYLINDER HEAD - AD3.152 ENGINE	6
ROCKER SHAFT - AD3.152 ENGINE	7
AIR INDUCTION AND EXHAUST SYSTEM - AD3.152 ENGINE	8
TIMING GEAR AND CAMSHAFT - AD3.152 ENGINE	9
LUBRICATING OIL SUMP - AD3.152 ENGINE	10
LUBRICATING OIL FILTER AND INTEGRAL COOLER - AD3.152 ENGINE	11
WATER PUMP, THERMOSTAT AND HEAT EXCHANGER - AD3.152 ENGINE	12
FUEL OIL LIFT PUMP - FITTING 2 STUDS	13
FUEL OIL LIFT PUMP	14
FUEL INJECTION EQUIPMENT (DIESEL) - AD3.152 ENGINE	15
JOINTS AND GASKETS - AD3.152 ENGINE	16
BATTERY - UP TO SERIAL 11-1981	17
BATTERY	18
BATTERY	19
GENERATOR-DUCELLIER - UP TO SERIAL 11-1981	20
GENERATOR-PARIS RHONE - UP TO SERIAL 11-1981	21
ALTERNATOR-LUCAS - FROM SERIAL S165043	22
ALTERNATOR POSITIONER - ENGINE- FROM 12-1981	23
GUARDS PTO AND ALTERNATOR	24
STARTER-DUCELLIER	25
STARTER-DUCELLIER	26
STARTER-LUCAS	27
STARTER-PARIS RHONE	28
RADIATOR	29
FAN	30
FUEL TANK AND ATTACHMENTS	31
FUEL FILTERS AND PIPES	32
FUEL FILTER	33
AIR FILTER	34
AIR FILTER-OIL BATH AIR FILTER	35
AIR FILTER-OIL BATH AIR FILTER	36
EXHAUST SYSTEM	37
HAND THROTTLE CONTROL	38
DUAL CLUTCH	39
CLUTCH PEDAL AND LINKAGE - UP TO SERIAL NUMBER	40
CLUTCH PEDAL AND LINKAGE - FROM SERIAL NUMBER	41
CLUTCH PEDAL AND LINKAGE - CATCH PEDAL- FROM SERIAL NUMBER	42
8 SPEED SYNCHROMESH TRANSMISSION-HOUSING	43
8 SPEED SYNCHROMESH TRANSMISSION-CONTROL	44
8 SPEED SYNCHROMESH TRANSMISSION-GEAR TRAIN	45
8 SPEED SYNCHROMESH ZF TRANSMISSION-HOUSING	46
8 SPEED SYNCHROMESH TRANSMISSION-SHIFT CONTROL - SYNCHRO- ZF	47
8 SPEED SYNCHROMESH ZF TRANSMISSION-FORK AND GEARSHIFT RAIL	48
8 SPEED SYNCHROMESH ZF TRANSMISSION-MAIN SHAFT	49
8 SPEED SYNCHROMESH ZF TRANSMISSION-SYNCHROMESH	50
8 SPEED SYNCHROMESH ZF TRANSMISSION-COUNTER SHAFT	51
EPICYCLIC UNIT-NORMAL DUTY	52
PTO SHAFT - LIVE PTO	53
PTO-CONTROL	54
REAR AXLE CENTRE HOUSING	55
REAR AXLE CENTRE HOUSING - ASSEMBLING PARTS	56
REAR AXLE-ATTACHMENTS	57
REAR AXLE-DIFFERENTIAL	58
REAR AXLE-DIFFERENTIAL LOCK MECHANISM	59
REAR AXLE-DIFFERENTIAL LOCK MECHANISM - UP TO SERIAL NUMBER- SHIFT CONTROL	60
REAR AXLE-DIFFERENTIAL LOCK MECHANISM - FROM SERIAL- SHIFT CONTROL	61
REAR AXLE-HOUSING	62
DISC BRAKES - 5 DISC	63
DISC BRAKES - 3 DISC	64
BRAKE PEDALS AND LINKAGE	65
BRAKE PEDALS AND LINKAGE - UP TO SERIAL NUMBER	66

TABLE OF CONTENT

BRAKE PEDALS AND LINKAGE - FROM SERIAL NUMBER	67
REAR WHEELS - UP TO SERIAL NO K.262017	68
REAR WHEELS - FROM SERIAL NO K.262018	69
REAR WHEELS - UP TO SERIAL NO T.140002	70
REAR WHEELS - FROM SERIAL NO T.140003	71
FRONT WHEELS	72
FRONT AXLE - WHEEL HUB- VINEYARD	73
FRONT AXLE	74
AXLE SUPPORT - UP TO SERIAL NO	75
AXLE SUPPORT - FROM SERIAL NUMBER	76
STEERING WHEEL	77
STEERING GEAR - BOX	78
STEERING LINKAGE - VINEYARD	79
HYDRAULICS - WITHOUT BREATHING FILTER	80
HYDRAULIC PUMP-BODY SHAFT PISTON - LOW FLOW	81
HYDRAULIC PUMP-BODY SHAFT PISTON - LOW FLOW-WITHOUT AUXILIARY PUMP- WITHOUT PRESSURE MODULATION-WITHOUT SIDE PTO	82
HYDRAULIC PUMP-STRAINER UNIT	83
HYDRAULIC PUMP-STRAINER UNIT - WITHOUT PRESSURE MODULATION- MARK III	84
HYDRAULIC PUMP-OSCILLATOR VALVE	85
HYDRAULIC PUMP-OSCILLATOR VALVE - WITHOUT PRESSURE MODULATION- MARK III	86
HYDRAULIC LIFT COVER	87
QUADRANT AND CONTROL LEVERS - UP TO- 01/04/1977	88
QUADRANT AND CONTROL LEVERS	89
QUADRANT AND CONTROL LEVERS - CONTROL SHAFT	90
RESPONSE CONTROLS - UP TO NO	91
RESPONSE CONTROLS - FROM NO	92
LIFT ARMS	93
LIFT ARMS - CYLINDER-UP TO 12-81	94
LIFT ARMS - CYLINDER-FROM 12-81	95
LIFT ARMS - UP TO NO	96
LIFT ARMS - FROM NO	97
TOP LINKS - UPPER LINK-SCALE	98
LOWER LINKS - BOTTOM BAR	99
LOWER LINKS - LEVELLING BOX	100
LOWER LINKS - CHAIN	101
LOWER LINKS - STAY-HITCH BAR	102
SHEET METAL-GRILLE	103
SHEET METAL-HOOD	104
SHEET METAL-HOOD - HOOD NOSE- OLD MOUNTING	105
SHEET METAL-INSTRUMENT PANEL	106
SHEET METAL-INSTRUMENT PANEL - INSTRUMENT CHROME- UP TO SERIAL	107
SHEET METAL-INSTRUMENT PANEL - INSTRUMENT BLACK- FROM SERIAL	108
SHEET METAL-INSTRUMENT PANEL - INSTRUMENTS	109
SHEET METAL-SHEEL FENDERS	110
SAFETY FRAME	111
FOOTSTEP	112
SEAT-SABLE - UP TO SERIAL NO J251044	113
SEAT-BOSTROM - XL MINI BALTIC	114
SEAT-BOSTROM - XH MINI BALTIC	115
TRANSFERS	116
SPEED CHARTS	117
SPEED CHARTS	118
WIRING - ENGINE- FROM 12-1981	119
WIRING - FROM SERIAL NO J215046	120
WIRING	121
ELECTRICAL WIRING	122
REAR LIGHTING EQUIPMENT - SIGNALLING	123
ELECTRICAL WIRING - HORN	124
FRONT LIGHTING EQUIPMENT	125
REAR LIGHTING EQUIPMENT - WORKING LIGHT	126
REAR LIGHTING EQUIPMENT - LICENSE PLATE	127

1-0010-017



MASSEY FERGUSON

MF 133/135 MKIII/135 V TRACTORS - 1637071

1637071

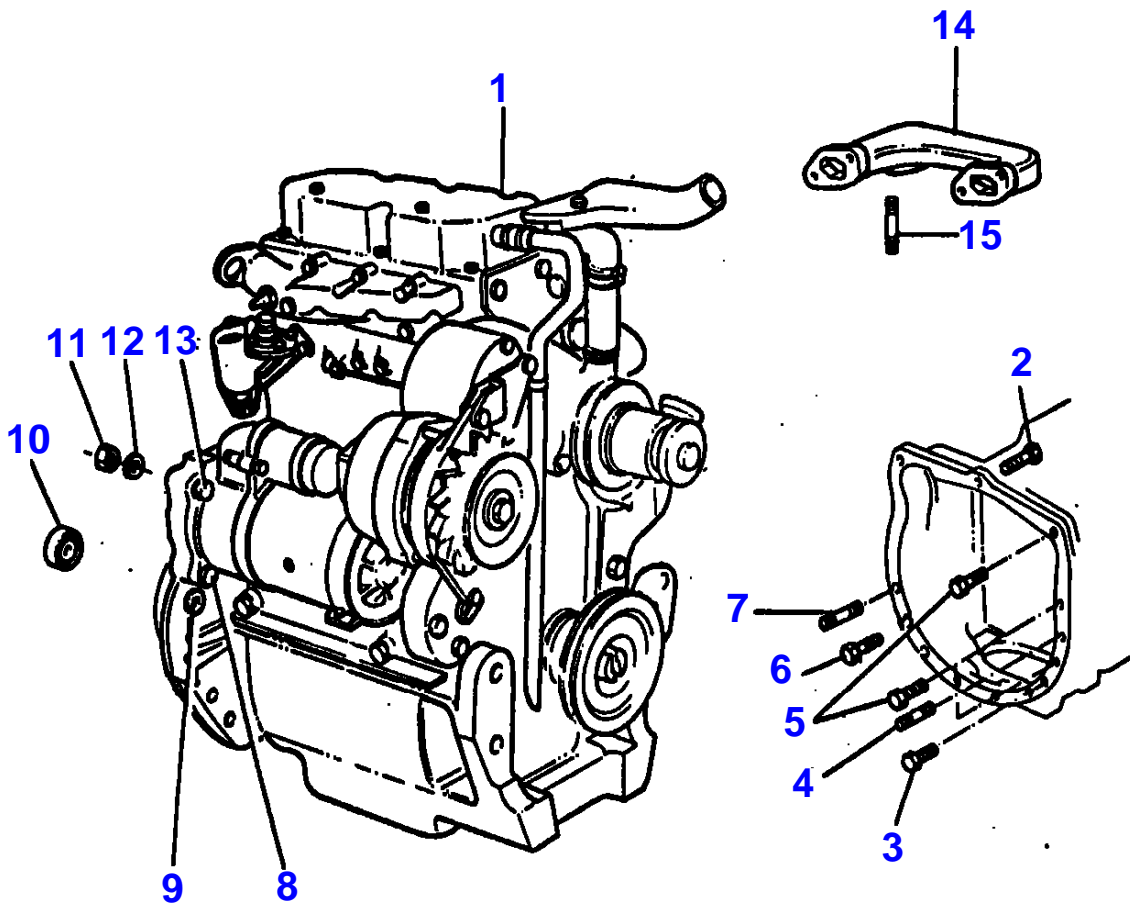
ENGINE AND ACCESSORIES - UP TO SERIAL 11-1981

1

Item	Part Number	Qty	Description	Comments
				UP TO SERIAL 11-1981
1	1660815M91	1	Engine	AD3.152 PEL - CE22526
2	962180M1	1	Bearer	
3	353690X1	2	Screw Unc	
	353756X1	2	Washer	
	353434X1	2	Lock Washer	
4	2411157	1	Washer	
5	963418M1	1	Gauge	
6	0826403	3	Stud	
7	37781341	1	Exhaust Manifold	
8	353521X1	2	Bolt Unf	
	353916X1	2	Nut Unf	
	353446X1	2	Lock Washer	
9	963929M1	1	Blade Fan	
10	963930M1	1	Blade Fan	
11	897057M1	2	Brake	
12	361444X1	4	Screw	
13	962184M2	1	Belt	
14	353521X1	1	Bolt Unf	
15	353446X1	1	Lock Washer	
16	353755X1	1	Washer	
17	353916X1	1	Nut Unf	
18		1	Pulley	(A)
19	962181M1	1	Lever	
20	362491X1	2	Screw	
21	191314M1	2	Centraliser	Repairs and replaces 825302M1
22	362499X1	8	Screw	
23		1	Dynamo	See Page - Reference Number 20/001
		1	Dynamo	See Page - Reference Number 21/001
24		1	Startermotor	See Page - Reference Number 25/001
		1	Startermotor	See Page - Reference Number 28/001
25	892639M92	1	Cowl	
26	362501X1	2	Screw	
27	353432X1	2	Lock Washer	
28	41112797	1	Flywheel	
29		1	Flywheel	(28) Not serviced, order 41112797
30	0410236	1	Starter Ring	(28)
31	0921062	3	Tab Washer	
32	32162203	6	Screw	
33	828123M1	1	Bearing Assy	
34		1	Cable	(A)
35	363625X1	1	Nut	
36	353432X1	1	Lock Washer	
37	361773X1	1	Screw	

(A)
NOT FITTED ON THIS APPLICATION

1.0010.074



MASSEY FERGUSON**MF 133/135 MKIII/135 V TRACTORS - 1637071**

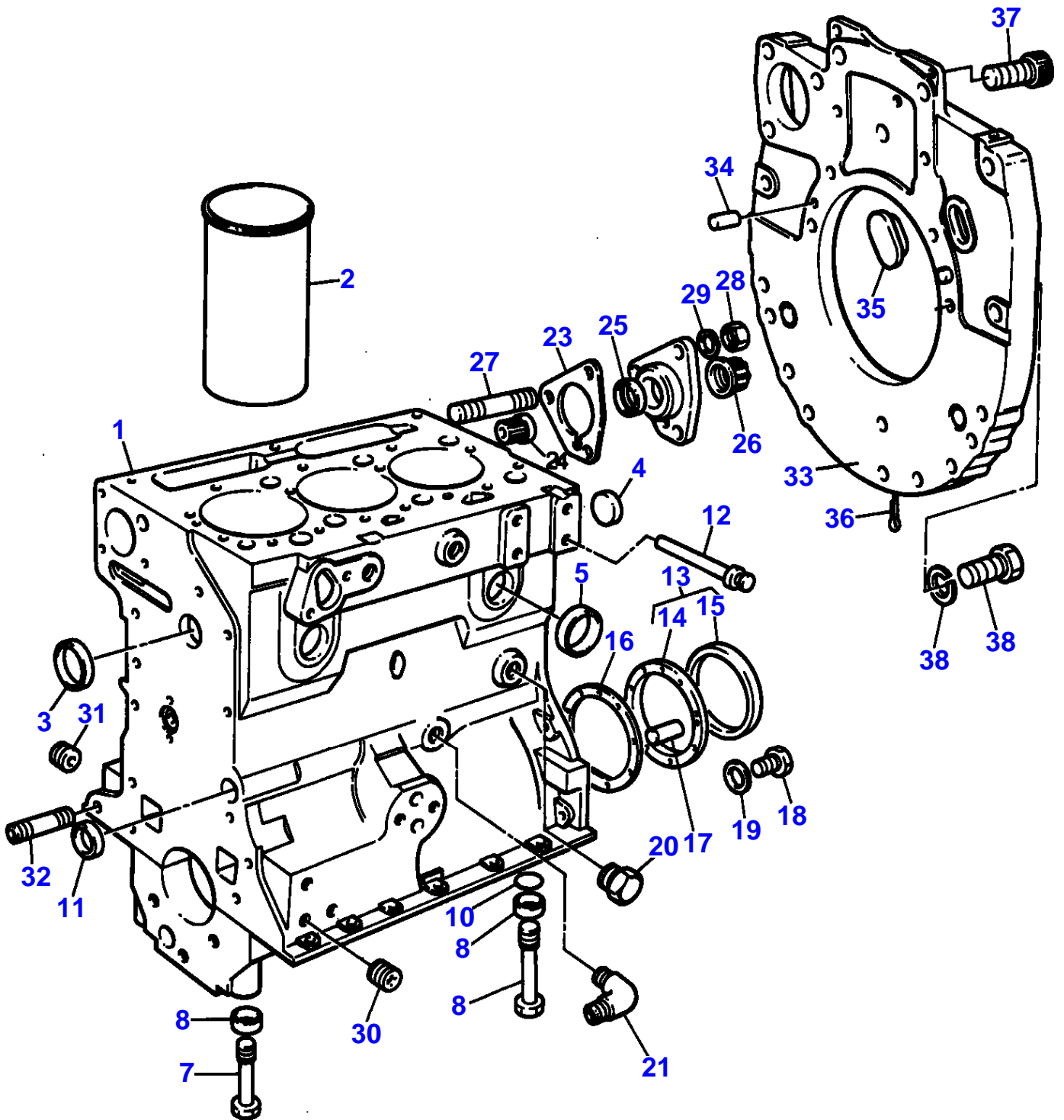
1637071

ENGINE AND ACCESSORIES - FROM 12-1981

2

Item	Part Number	Qty	Description	Comments
				FROM 12-1981
1	1808123M3	1	Engine	AD3.152 PEL - CE21583
2	362479X1	1	Screw	
3	362499X1	8	Screw	
4	191314M1	1	Centraliser	
5	362491X1	2	Screw	
6	353710X1	1	Bolt Unc	
7	191314M1	1	Centraliser	
8	362501X1	2	Screw	
9	353432X1	2	Lock Washer	
10	828123M1	1	Bearing Assy	
11	363625X1	1	Nut	
12	353432X1	1	Lock Washer	
13	361773X1	1	Screw	
14	37781341	1	Exhaust Manifold	Repairs and replaces 734874M1
15	0826403	3	Stud	

C-0560-17M - A



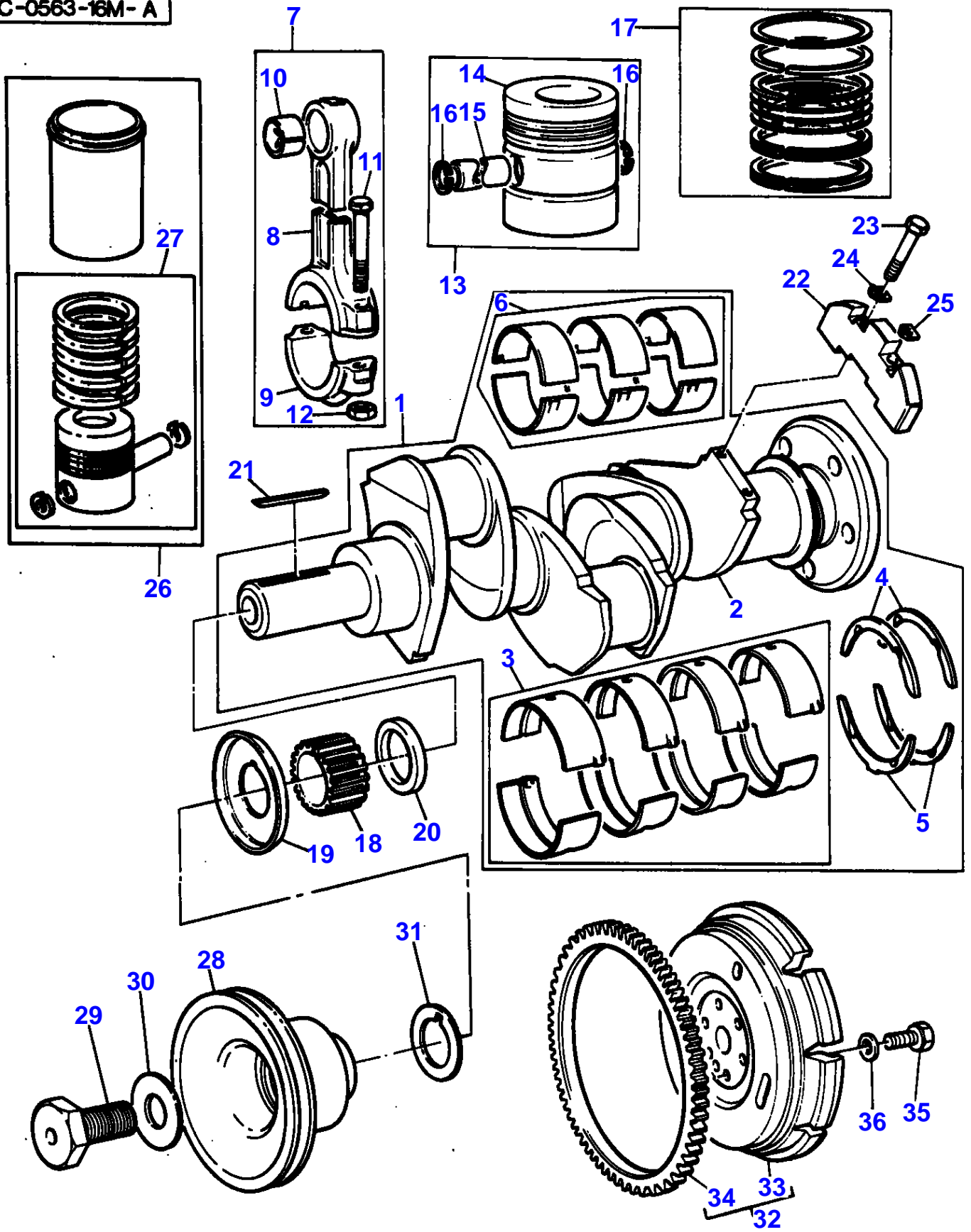
CYLINDER BLOCK

Item	Part Number	Qty	Description	Comments
1	ZZ 50170	1	Kit,Cyl.Block	Repairs and replaces ZZ50107 Repairs and replaces U5BA0008
2	31358323	3	Liner	(1) (A)
2	31358345	X	Liner	(B)
	31358384	X	Liner	0.010"0,25MM O/S
2	31358357	X	Liner	0.030"0,76MM O/S
3	0650710	1	Plug	(1)
4	0650664	1	Plug	(1)
5	0650563	4	Plug	(1)
6	33137408	6	Thimble	(1)
7	32181441	6	Screw	(1)
8	33137408	2	Thimble	(1)
9	32181442	2	Screw	(1)
10	2415608	2	O Ring	(1)
11	0650566	2	Plug	(1)
12	2485A204	1	Plug	(1)
13	4142V002	1	Housing	
14		1	Housing	(13) Not serviced, order REF.13
15	2418F475	1	Seal	(13)
16	33826111	1	Joint	
17	0350015	2	Dowel	
18	0746255	9	Setscrew	
19	0920003	9	Washer	
20	32161114	1	Plug	
21	37732901	1	Elbow	Up to Serial or Engine Number U726816K
	0201568	1	Connection	From Serial or Engine Number U726817K
22	37416751	1	Housing	
23	36862511	1	Joint	
24	33473106	1	Connection	
25	30854	1	Seal	
26	32813106	1	Cap Nut	
27	0826201	3	Stud	
28	0576002	3	Nut	
29	0920053	3	Washer	
30	32114471	1	Plug	
31	32114471	1	Plug	
32	32526512	1	Stud	
33	37147974	1	Plate	
34	0350016	2	Dowel	
35	37813113	1	Plug	
36	0610045	1	Pin	
37	0720798	2	Screw	
38	0746454	6	Setscrew	
39	0920054	6	Washer	

(A)
PRESS FIT

(B)
SLIP FIT

C-0563-16M-A



CRANKSHAFT, PISTONS AND CONNECTING RODS - AD3.152 ENGINE

Item	Part Number	Qty	Description	Comments
				AD3.152 ENGINE
1	ZZ 90078	1	Kit, Crankshaft	Repairs and replaces ZZ90122 Repairs and replaces U5BG0027 Repairs and replaces ZZ90019
2		1	Crankshaft	(1) Not serviced, order REF.1
3	68084	X	Kit, Bearing	(A)
	68084A	X	Kit, Bearing	(A) Thickness (-)0.25MM Thickness (-)0.010"
3	68084B	X	Kit, Bearing	(A) Thickness (-)0.50MM Thickness (-)0.020"
3	68084C	X	Kit, Bearing	(A) Thickness (-)0.75MM Thickness (-)0.030"
4	31137211	2	Thrust Washer	(1)
	31137212	X	Washer	Thickness (+)0.19MM Thickness (+)0.0075"
5	31137221	2	Thrust Washer	(1)
	31137222	X	Washer	Thickness (+)0.19MM Thickness (+)0.0075"
6	85036	1	Kit, Bearing	(1) (A)
6	85036A	X	Kit, Bearing	(A) Thickness (-)0.25MM Thickness (-)0.010"
6	85036B	X	Kit, Bearing	(A) Thickness (-)0.50MM Thickness (-)0.020"
6	85036C	X	Kit, Bearing	(A) Thickness (-)0.75MM Thickness (-)0.030"
7	ZZ 90010	1	Kit, Conrod	Repairs and replaces 91051 Repairs and replaces M7BJ0014
8		1	Conrod	(7) Not serviced, order REF.7
9		1	Cap	(7) Not serviced, order REF.7
10	31134151	1	Bush	(7)
11	0095250	2	Bolt	(7)
12	33221327	2	Nut	(7)
13	68331	3	Kit, Piston	(B)
	68332	3	Kit, Piston	(C)
14		1	Piston	(13) Not serviced, order REF.13
15		1	Pin	(13) Not serviced, order REF.13
16	0170001	2	Circlip	(13)
17	41158057	3	Kit, Piston Ring	
18	0410132	1	Gear,Crankshaft	25T
19		1	Washer	(F)
20	0330811	1	Spacer	
21	36271704	1	Woodruff Key	
22	31328242	2	Weight	(G)
23	2185189	4	Screw	
24	31731515	2	Washer	
25	31731516	2	Washer	
26	U5MK0034	X	Kit, Cylinder	(D)
	U5MK0035	X	Kit, Cylinder	(E)
27	68504	1	Kit, Piston	(3) (C)
28	31143733	1	Pulley,Crank	
29	32162312	1	Screw	
30	33125112	1	Washer	
31	33176137	1	Washer	
32	41112797	1	Flywheel	
33		1	Flywheel	(32) Not serviced, order REF.32

MASSEY FERGUSON

MF 133/135 MKIII/135 V TRACTORS - 1637071

1637071

CRANKSHAFT, PISTONS AND CONNECTING RODS - AD3.152 ENGINE

4

Item	Part Number	Qty	Description	Comments
34	0410236	1	Starter Ring	(32) 115T
35	0096803	6	Bolt	
36	33117127	6	Washer	Repairs and replaces 33117121

(A)
PRE-FINISHED

(B)
UNTOPPED

(C)
PRE-TOPPED

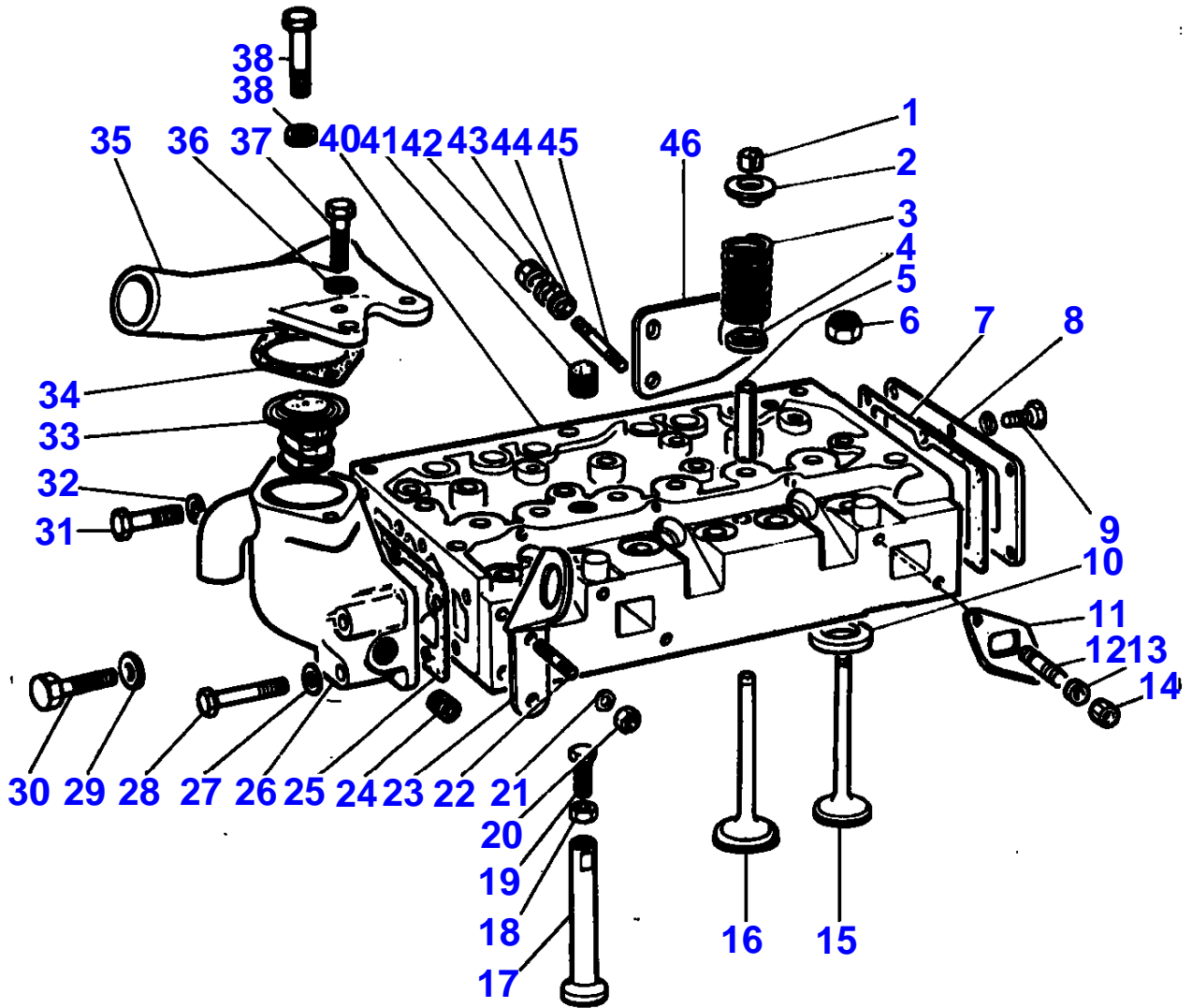
(D)
SLIP FIT

(E)
PRESS FIT

(F)
NOT FITTED ON THIS APPLICATION

(G)
REPLACES 31328241 IN ENGINE SETS ONLY(QTY 2).

1-0075-010

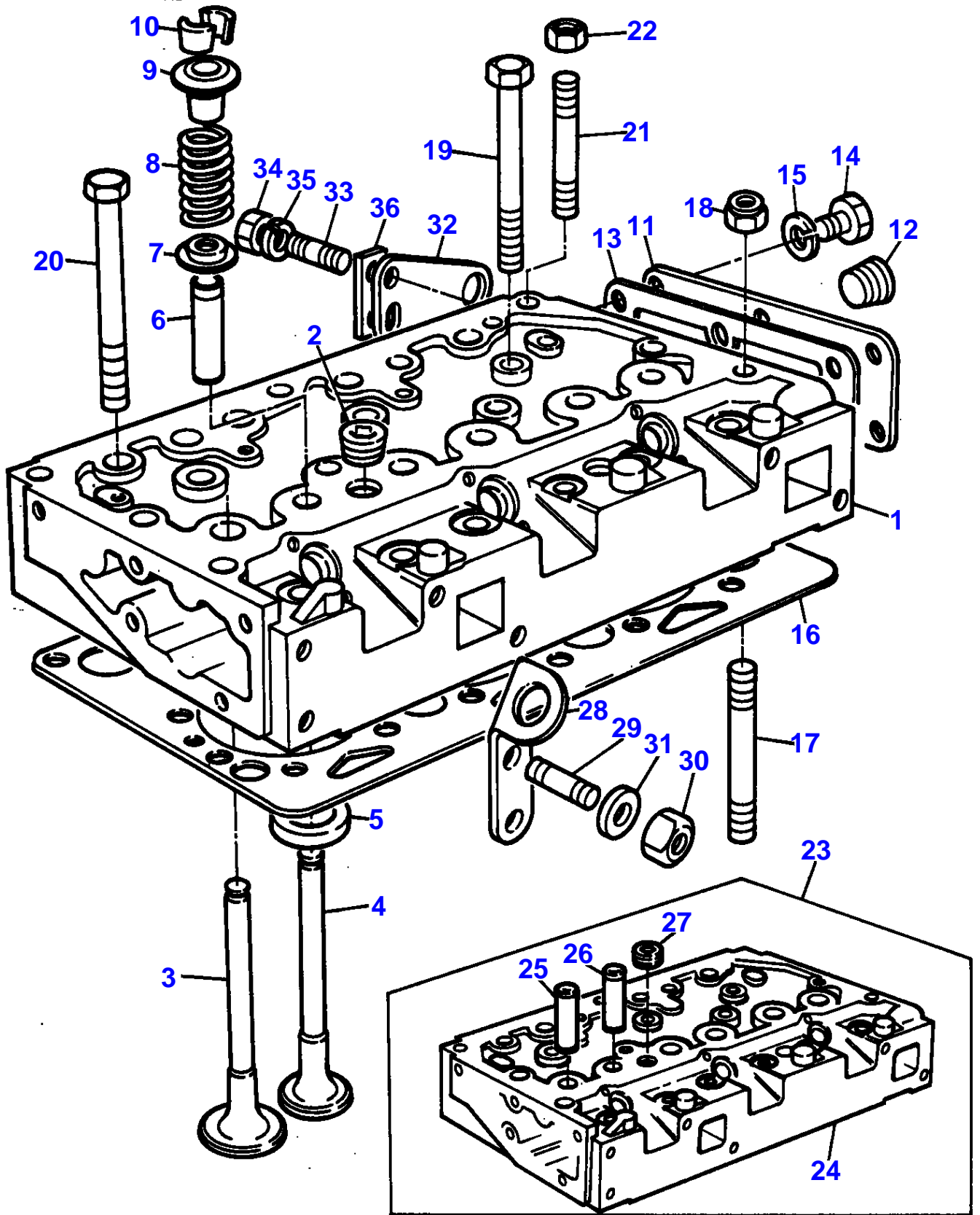


CYLINDER HEAD - UP TO 11-1981

Item	Part Number	Qty	Description	Comments
				UP TO 11-1981
1	0230001	12	Cotter	(40)
				(A)
2	0150008	6	Cap	(40)
3	0780006	6	Spring	(40)
4	33415133	6	Washer	(40)
5	33261723	6	Guide	(40)
6	33221315	18	Nut	
7	0490485	1	Joint	(40)
8	0940737	1	Plate	(40)
9	0746254	6	Setscrew	(40)
	0920053	6	Washer	(40)
10	33124428	3	Insert	
11	36862143	2	Gasket	
12	0826232	4	Stud	
13	0920003	4	Washer	
14	0576064	4	Nut	
15	31431591	3	Valve Exhaust	(40)
16	31431281	3	Valve Inlet	(40)
17	0860012	6	Tappet	
18	0576052	6	Nut	
19	0720677	6	Screw	
20	0576051	2	Nut	
21	0920054	2	Washer	
22	0826462	2	Stud	
23	36456321	1	Plate	
24	0650586	1	Plug	
25	0490482	1	Joint	
26	37766362	1	Body	
27	0920054	1	Washer	
28	0096437	1	Bolt	
29	0920155	1	Washer	
30	0096441	1	Bolt	
31	0746255	3	Setscrew	
32	0920053	3	Washer	
33	2485666	1	Thermostat	
34	0490184	1	Joint	
35	37747581	1	Connection	
36	0920054	2	Washer	
37	0096432	2	Screw	
38	0920106	2	Washer	
39	0746255	2	Setscrew	
40	86550	1	Cylinder Head	
41	2431154	2	Plug	(40)
42	0576051	2	Nut	
43	0920054	2	Washer	
44	0920004	1	Washer	
45	0826466	2	Stud	
46	36237727	1	Plate	

(A)
SERVICED IN PAIRS

C 0566-15M-A



Buy Now



Our support email:

ebooklibonline@outlook.com