

Page Title	Page Number
ENGINE AND ACCESSORIES	2
CYLINDER BLOCK	4
CRANKSHAFT	8
CYLINDER HEAD	12
CYLINDER HEAD COVER	16
ROCKER ARM	18
AIR INDUCTION	20
TIMING GEAR	22
LUBRICATING OIL SYSTEM	24
LUBRICATING OIL FILTER	26
WATER PUMP	28
FUEL PIPINGS	30
FUEL OIL LIFT PUMP	32
FUEL FILTER	34
FUEL INJECTION EQUIPMENT	36
AUXILIARY DRIVE	38
JOINTS AND GASKETS	40
ALTERNATOR POSITIONER	42
ALTERNATOR-LUCAS	44
STARTER-LUCAS	46
ELECTRICAL EQUIPMENT	48
RADIATOR	50
RADIATOR - TUBE	52
ROTATING AIR INTAKE	54
ROTATING AIR INTAKE - LOWER HOUSING	56
ROTATING AIR INTAKE - DRIVING	58
FUEL TANK AND ATTACHMENTS	60
FUEL TANK AND ATTACHMENTS - TUBE	62
FUEL TANK AND ATTACHMENTS - COWL	64
AIR FILTER	66
AIR FILTER - DETAIL	68
AIR PRE FILTER	70
EXHAUST SYSTEM	72
ENGINE FRAME	74
MOTOR COVER	76
KNIFE	80
WOBBLE DRIVE	84
TABLE DRIVE	86
REEL	90
REEL - DRIVING SHAFTS	92
REEL CARRIER	94
AUGER	96
TABLE	100
TABLE - 12'-14'	104
DIVIDER - SLOPING	108
DIVIDER - TALL CROP	110
DIVIDER - HARPOON	112
ATHC - MECHANICAL	116
ATHC	118
SENSING FINGERS	120
CLUTCH - TABLE	124
ELEVATOR	126
ELEVATOR - UPPER SHAFT	130
ELEVATOR - DRUM	132
ELEVATOR - CHAIN	134
CYLINDER HOUSING - LEFT SIDE	136
CYLINDER HOUSING - RIGHT SIDE	138
CYLINDER HOUSING - DOOR-COVER	140
CYLINDER HOUSING - DOOR-COVER	142
SEPARATOR CLUTCH - CONTROLS	144
SEPARATOR CLUTCH	148
REAR BEATER - DRIVING	150
REAR BEATER	152
CYLINDER	154
CYLINDER - DRIVE GEAR BOX	158
CYLINDER - DRIVE	162

TABLE OF CONTENT

CONCAVE	164
CONTROL LINKAGE	168
CONTROL LINKAGE - REAR	170
STONE STRAP	174
SMALL SEED KIT	176
HOOD - BELT-SIGNAL	178
HOOD - MULTI-FLOW	180
GRAIN ELEVATOR	184
GRAIN ELEVATOR - LOWER COMPONENT	188
CASCADE SEPARATOR - COWL	192
CASCADE SEPARATOR	196
CASCADE SEPARATOR - COWL	198
SHAKER SHOE - DOUBLE SHOE	200
SHAKER SHOE - TRIPLE SHOE	204
PAN - DRIVE	208
PAN	212
SCREEN - DOUBLE SHOE	216
SCREEN - TRIPLE SHOE	218
FANNING HILL	220
FANNING HILL - COWL	224
STRAW WALKER - UPPER DRIVE	226
STRAW WALKER - LOWER DRIVE	228
STRAW WALKER	230
STRAW WALKER - DIVIDER	232
STRAW WALKER BODY - EXTERNAL COMPONENTS	234
STRAW WALKER BODY - INTERNAL COMPONENTS	238
GLEANINGS ELEVATOR - UPPER COMPONENTS	240
GLEANINGS ELEVATOR - LOWER COMPONENT	242
GLEANINGS ELEVATOR - SLINGER HOUSING	246
RETURN ELEVATOR ALARM ARRANGEMENT	248
ALARM	250
MAIN FRAME - REINFORCEMENT	252
MAIN FRAME - DOOR	256
HOOD	258
GRAIN TANK - LEFT COMPONENT	262
GRAIN TANK - RIGHT COMPONENT	264
GRAIN TANK - LOWER COMPONENT	268
GRAIN TANK - LOWER AUGER	270
AUGER AND PITMAN CRANK	272
GRAIN TANK - EXTENSION	274
GRAIN TANK - CHAINS	278
GRAIN ELEVATOR - UPPER COMPONENTS	280
GRAIN ELEVATOR - LOWER COMPONENT	284
GRAIN ELEVATOR - CHAINS	286
UNLOADER DRIVE AND CONTROLS	288
AUGER LOWER - UPPER COMPONENTS	292
AUGER LOWER - LOWER COMPONENT	296
AUGER LOWER - EXTENSION	298
TANK FILLING CONTROL	300
FLYWHEEL	302
TRANSMISSION - RIGHT SIDE	306
TRANSMISSION - LEFT SIDE	312
COUNTER SHAFT AND CLUTCH	316
COUNTER SHAFT AND CLUTCH - LUBRICATION	318
SECONDARY COUNTERSHAFT	322
TRACTION DRIVE - VARIATOR	324
TRACTION CLUTCH	326
TRACTION CLUTCH - CONTROLS	328
FRONT AXLE FINAL DRIVE-4 WHEEL DRIVE	330
TRANSMISSION GEAR BOX	334
TRANSMISSION GEAR BOX - DRIVE	340
FRONT AXLE	344
GEARBOX PARKING BRAKE	346
BRAKES OPERATING - KNIFE DRIVE HOUSING	348
BRAKES OPERATING - PARKING	350
HYDRAULIC BRAKE CONTROL-CYLINDER	352
BRAKES OPERATING - PEDAL	356
DRUM BRAKE	358

TABLE OF CONTENT

OPERATORS PLATFORM	360
OPERATORS PLATFORM - RAIL-LADDER	364
SEAT-SABLE	368
SPRING SUPPORT	372
CONTROL PANEL - HOUSING	374
CONTROL PANEL - GUARD LOWER	378
CONTROL PANEL - SOUND INSULATION	380
CONTROL PANEL - LEVER	382
CONTROL PANEL - LEVER-WITH AUTOMATIC TABLE HEIGT CONTROLS	388
CONTROL PANEL - CABLE	392
INSTRUMENTS - SUPPORT	394
INSTRUMENTS - INSTRUMENTS-SWITCH	396
INSTRUMENTS - JUNCTION	400
CAB - FRONT	402
CAB - REAR	406
CAB - RIGHT HAND	408
CAB - LEFT HAND	410
CAB - LATCH LADDER	412
CAB - LATCH RAMP- GERMANY	414
CAB - MISCELLANEOUS	416
CAB - FLOOR	418
CAB - WIRING	420
AIR CONDITIONNER-COMPRESSOR - KYSOR	422
AIR CONDITIONNER-COMPRESSOR - BRACKET AND ASSEMBLING- KYSOR	424
AIR CONDITIONNER-CONDENSOR - KYSOR	426
AIR CONDITIONNER-CONDENSOR - BRACKET	430
AIR CONDITIONNER-EVAPORATOR - KYSOR	432
AIR CONDITIONNER-EVAPORATOR - KYSOR	434
STEERING COLUMN	436
STEERING COLUMN - HOUSING	438
STEERING COLUMN - ADJUSTING	440
STEERING PUMP	442
SAFETY BLOCK	444
REAR AXLE	446
WHEELS	448
HYDRAULIC CIRCUIT	450
REEL HYDROSTATIC DRIVE	454
HYDRAULIC MOTOR	458
REEL - HYDRAULIC	460
REEL LIFT HYDRAULICS	462
REEL HYDRAULIC PUMP AND TANK	464
RAM FOR REEL LIFT - LEFT	466
RAM FOR REEL LIFT - RIGHT	468
RAM FOR REEL FORE AND AFT ARRANGEMENT - LEFT HAND	470
RAM FOR REEL FORE AND AFT ARRANGEMENT - LEFT	472
HYDRAULIC CIRCUIT - CONTAINER-PUMP-VALUE	474
HYDRAULIC CIRCUIT - REEL	476
HYDRAULIC CIRCUIT - STEERING	478
HYDRAULIC CIRCUIT - STEERING	480
HYDRAULIC CIRCUIT - TRACTION	484
HYDRAULIC CIRCUIT - REAR BEATER CLUTCH	486
HYDRAULIC UNLOADER ARRANGEMENT	488
UNLOADER SPOUT ARRANGEMENTS	492
HYDRAULIC PUMP	494
CONTROL VALVE	496
RAM FOR TRACTION	502
RAM FOR STEERING	504
RAM FOR TABLE LIFT - RIGHT	506
RAM FOR TABLE LIFT - LEFT	508
CHAINS	510
BELT DETAILS	512
LIGHTING - FRONT	514
LIGHTING - REAR	518
LIGHTING - HAPPER SPOTLIGHT	522
LIGHTING - ROTAING LIGHT-HELLA	524
LIGHTING - ROTATING LIGHT-S.E.V	526
LIGHTING - WORKING LIGHT	528
MISCELLANEOUS	530

TABLE OF CONTENT

00

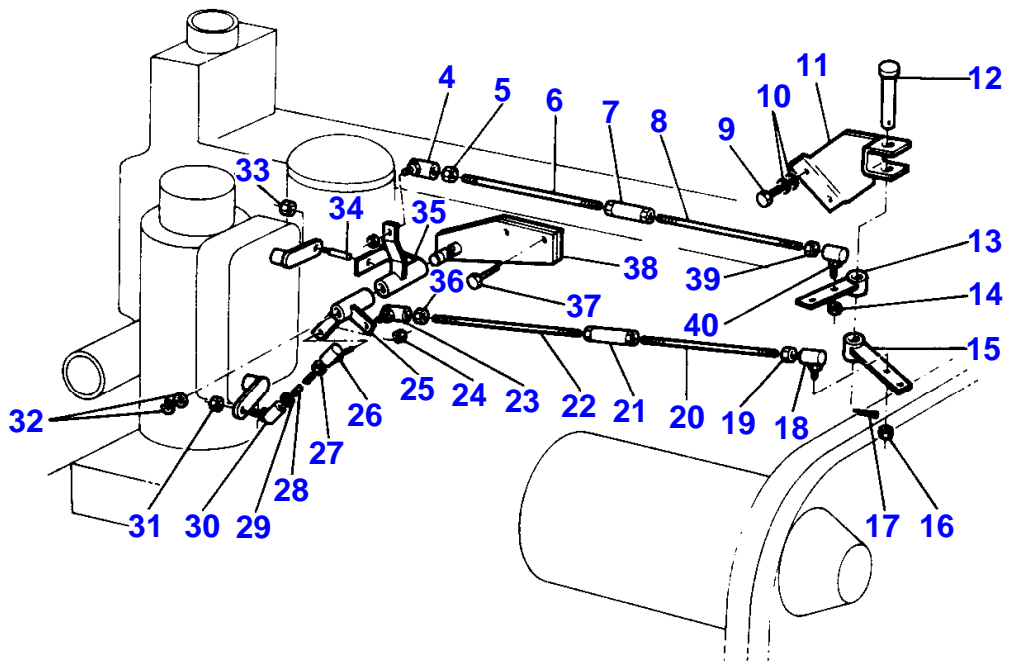
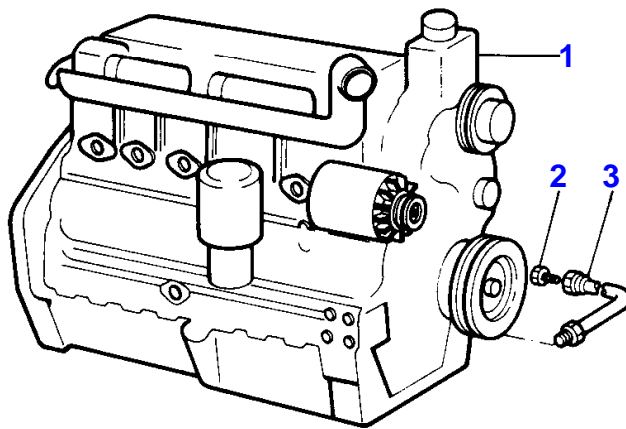
TRANSFER FOR TABLE	532
TRANSFERS	534
GUARDS-FAN - TABLE	540
WEIGHT FRAME AND WEIGHTS - WEIGHT	542
ELEVATOR - RICE MACHINES .COWL. FUEL TANK	544
CYLINDER - RICE MACHINES- CONIC TEETH	546
CONCAVE - RICE MACHINES .COWL. FUEL TANK	548
REAR AXLE - RICE MACHINES .COWL. FUEL TANK	550
TRACK CHAIN - FINAL DRIVE	554
UNDERCARRIAGE	556
UNDERCARRIAGE	558
TRACK CHAIN - GUARDS	560
WHEELS - RICE MACHINES .COWL. FUEL TANK	562

2

MOTEUR ET ACCESSOIRES
MOTOR UND ZUBEHOER
MOTORE ED ACCESSORI
MOTOR Y ACCESORIOS
ENGINE AND ACCESSORIES

00101026

1 0010 027



1-0010-027

MASSEY FERGUSON**MF 530/535 COMBINES, ->| 1115200 - 1637078****1637078****ENGINE AND ACCESSORIES****2**

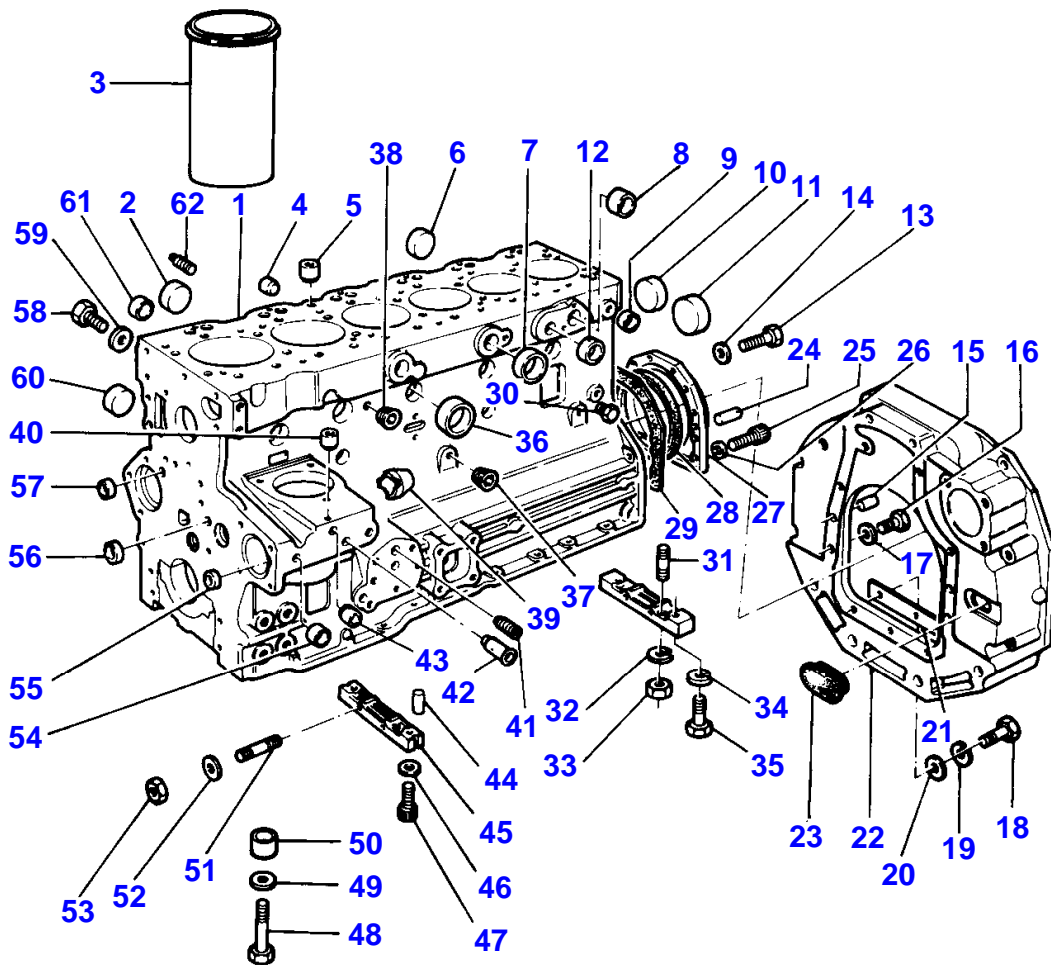
Item	Part Number	Qty	Description
1	3049557M91	1	Engine
2	356447X1	1	Plug
3	784270M91	1	Hose
4	3049874M1	1	Toggle
	353919X1	1	Nut Unf
5	353919X1	1	Nut Unf
6	3044979M1	1	Stem
7	525396M1	1	Buckle
8	3049619M1	1	Stem
9	353517X1	2	Screw Unf
10	353446X1	2	Lock Washer
	353755X1	2	Washer
11	3049017M91	1	Bearer
12	195612M1	1	Pin
13	3044960M91	1	Lever
14	353919X1	1	Nut Unf
15	3044963M91	1	Lever
16	353919X1	1	Nut Unf
17	354057X1	1	Pin
18	3049874M1	1	Toggle
19	353919X1	1	Nut Unf
20	3049619M1	1	Stem
21	525396M1	1	Buckle
22	3044979M1	1	Stem
23	3049874M1	1	Toggle
24	353919X1	2	Nut Unf
25	3044952M91	1	Lever
26	3049874M1	1	Toggle
27	353919X1	1	Nut Unf
28	3044982M1	1	Stem
29	353919X1	1	Nut Unf
30	3045150M91	1	Toggle
31	357515X1	1	Nut Unf
32	353756X1	1	Washer
	355848X1	1	Snpring
33	358656X1	1	Nut
34	271675M1	1	Clevis Pin
35	3044950M91	1	Lever
36	353919X1	1	Nut Unf
37	353540X1	2	Screw Unf
38	3044956M91	1	Bearer
39	353919X1	1	Nut Unf
40	3049874M1	1	Toggle

4

BLOC CYLINDRES
ZYLINDERBLOCK
BLOCCO CILINDRI
BLOQUE DE CILINDROS
CYLINDER BLOCK

00501018

1 0050 018



1-0050-018

CYLINDER BLOCK

Item	Part Number	Qty	Description	Comments
1	63621	1	Cylinder Block	
2	0650618	6	Plug	(1)
3	31358393	6	Liner	(1) (A)
3	31358394	6	Liner	(B)
4	32417133	1	Plug	
5	32417134	1	Plug	
6	0650618	7	Plug	
7	0650710	4	Plug	(1)
8	0650618	1	Plug	
9	0650563	1	Plug	
10	0650618	1	Plug	(1)
	32418117	2	Plug	
11	32416105	1	Plug	
13	0746211	10	Bolt	
14	0920003	10	Washer	
15	32455119	2	Dowel	
16	0746424	6	Bolt	
17	33115129	6	Washer	
18	0746253	3	Screw	
19	0920053	3	Washer	
20	0920003	3	Washer	
21	36125305	1	Cover	
22	37147644	1	Plate	
23	37813113	1	Plug	
24	0350009	2	Dowel	
25	2172530	2	Capscrew	
26	33112111	2	Washer	
27	37513851	1	Housing	
28	2418F475	1	Seal	Repairs and replaces 2415391
29	36817157	1	Joint	
30	32161114	2	Plug	
31	0826214	4	Stud	
32	0920053	4	Washer	
33	0576002	4	Nut	
34	0920521	2	Washer	
35	2176369	2	Screw	
36	32418121	5	Plug	Repairs and replaces 32417155
37	2431131	2	Plug	
38	0650586	1	Plug	
39	32813108	1	Cover	
40	32417134	2	Plug	
41	0650586	1	Plug	
42	33435133	1	Tube	
43	32417143	1	Plug	
44	32811408	4	Joint	
45	36277831	2	Bridge Piece	
46	0920521	2	Washer	
47	2176369	2	Screw	
48	32166329	14	Bolt	(1)
49	33121421	14	Washer	
50	33142111	14	Thimble	(1)
51	0826201	2	Stud	
52	0920053	2	Washer	
53	0576002	2	Nut	
54	32417127	2	Plug	
55	32417115	1	Plug	
56	0650566	2	Plug	
57	32417115	2	Plug	
58	32168231	4	Plug	
59	2411157	4	Washer	
60	0650618	1	Plug	
61	32417117	1	Plug	
62	0650586	1	Plug	

(A)
PRESS FIT

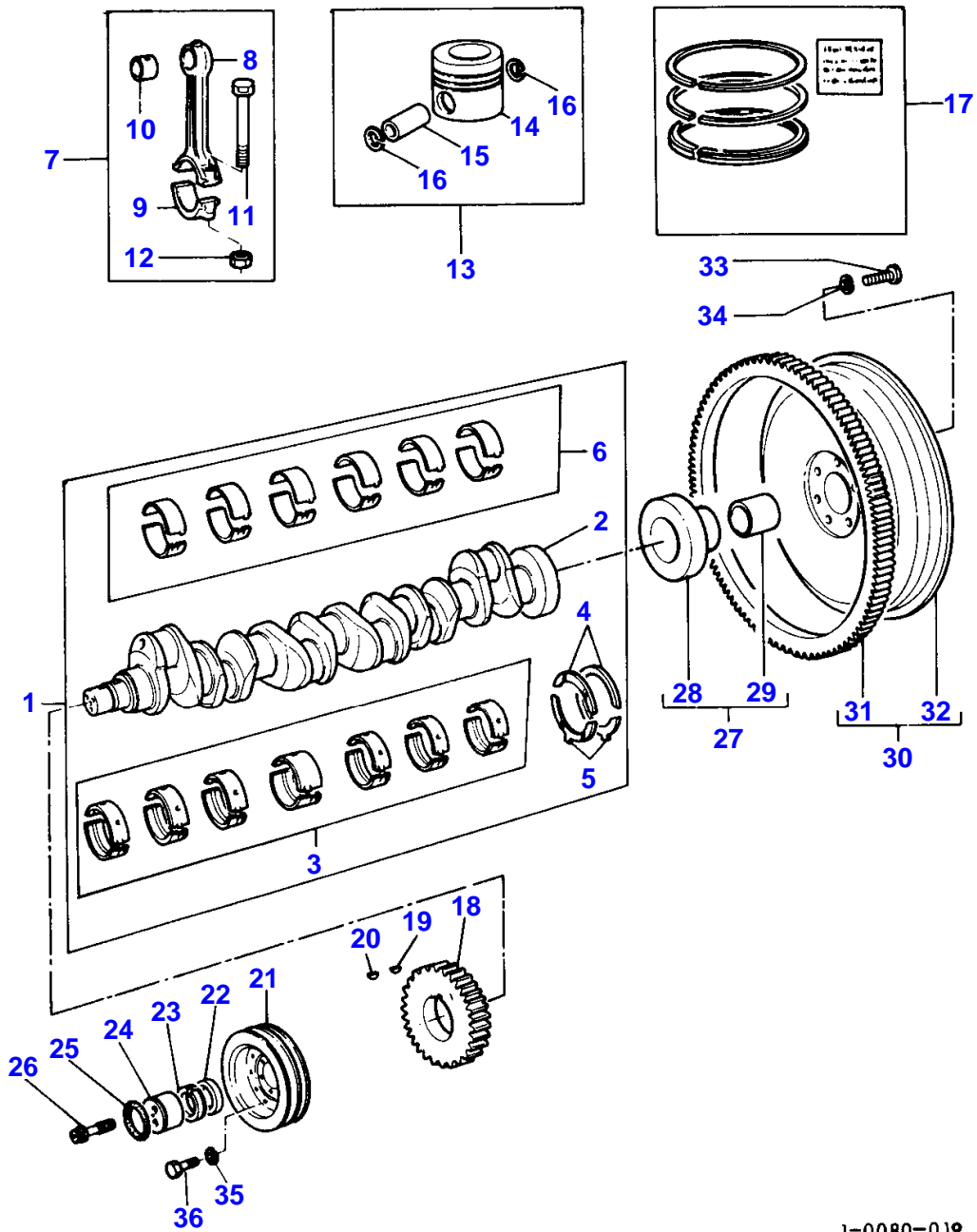
(B)
SLIP FIT

8

VILEBREQUIN
 KURBELWELLE
 ALBERO A MANOVELLA
 CIGUENAL
 CRANKSHAFT

00801012

1 0080 019



1-0080-019

CRANKSHAFT

Item	Part Number	Qty	Description	Comments
1	68076	1	Kit, Crankshaft	
2		1	Crankshaft	(1) Not serviced, order REF NO 1
3	68079	1	Kit, Bearing	(1) (C)
3	68079A	X	Kit, Bearing	(C) Thickness -0,25MM
3	68079B	X	Kit, Bearing	(C) Thickness -0,50MM
3	68079C	X	Kit, Bearing	(C) Thickness -0,75MM
4	31137311	2	Washer	(1)
	31137312	X	Thrust Washer	Thickness +0,17MM
5	31137321	2	Washer	(1)
	31137322	X	Thrust Washer	Thickness +0,17MM
6	85043	1	Kit, Bearing	(1)
	85043A	X	Kit, Bearing	(C) Thickness -0,25MM
6	85043B	X	Kit, Bearing	(C) Thickness -0,50MM
6	85043C	X	Kit, Bearing	(C) Thickness -0,75MM
7	M7BJ0015	6	Kit, Conrod	Repairs and replaces 84920
8		1	Piston Rod	(7) Not serviced, order REF NO 7
9		1	Cap	(7) Not serviced, order REF NO 7
10	31134131	1	Bush	(7)
11	32762116	2	Bolt	(7)
12	33221328	2	Nut	(7) Repairs and replaces 33221321
13	68393	6	Piston	(B) From Serial or Engine Number
13	86740	6	Kit, Piston	(B) Up to Serial or Engine Number
13	68314	6	Kit, Piston	(A) Up to Serial or Engine Number
13	68392	6	Piston	(A) From Serial or Engine Number
14		1	Piston	(13) Not serviced, order REF NO 13
15		1	Piston Pin	(13) Not serviced, order REF NO 13
16	2721A029	2	Circlip	(13)
17	86785	6	Kit, Ring	
18	31171211	1	Gear,Crankshaft	
19	0500012	1	Woodruff Key	
20	0500005	1	Woodruff Key	
21	31153111	1	Pulley,Crank	
22	33125412	1	Spacer	
23	2417711	1	Element	
24	32418313	1	Thrust Plate	
25	2415638	1	O Ring	
26	32186133	3	Screw	
27	41425216	1	Adaptor	
28		1	Adaptor	(27) Not serviced, order 41425216
29	2513246	1	Bush	(27)
30	41117088	1	Flywheel	
31	0410264	1	Gear,Starterring	(30)
32		1	Flywheel	(30) Not serviced, order 41117088
33	0746853	6	Bolt	
34	33117121	6	Washer	
35			Not Used	
36			Not Used	

(A)
UNTOPPED

MASSEY FERGUSON

MF 530/535 COMBINES, ->| 1115200 - 1637078

1637078

CRANKSHAFT

8

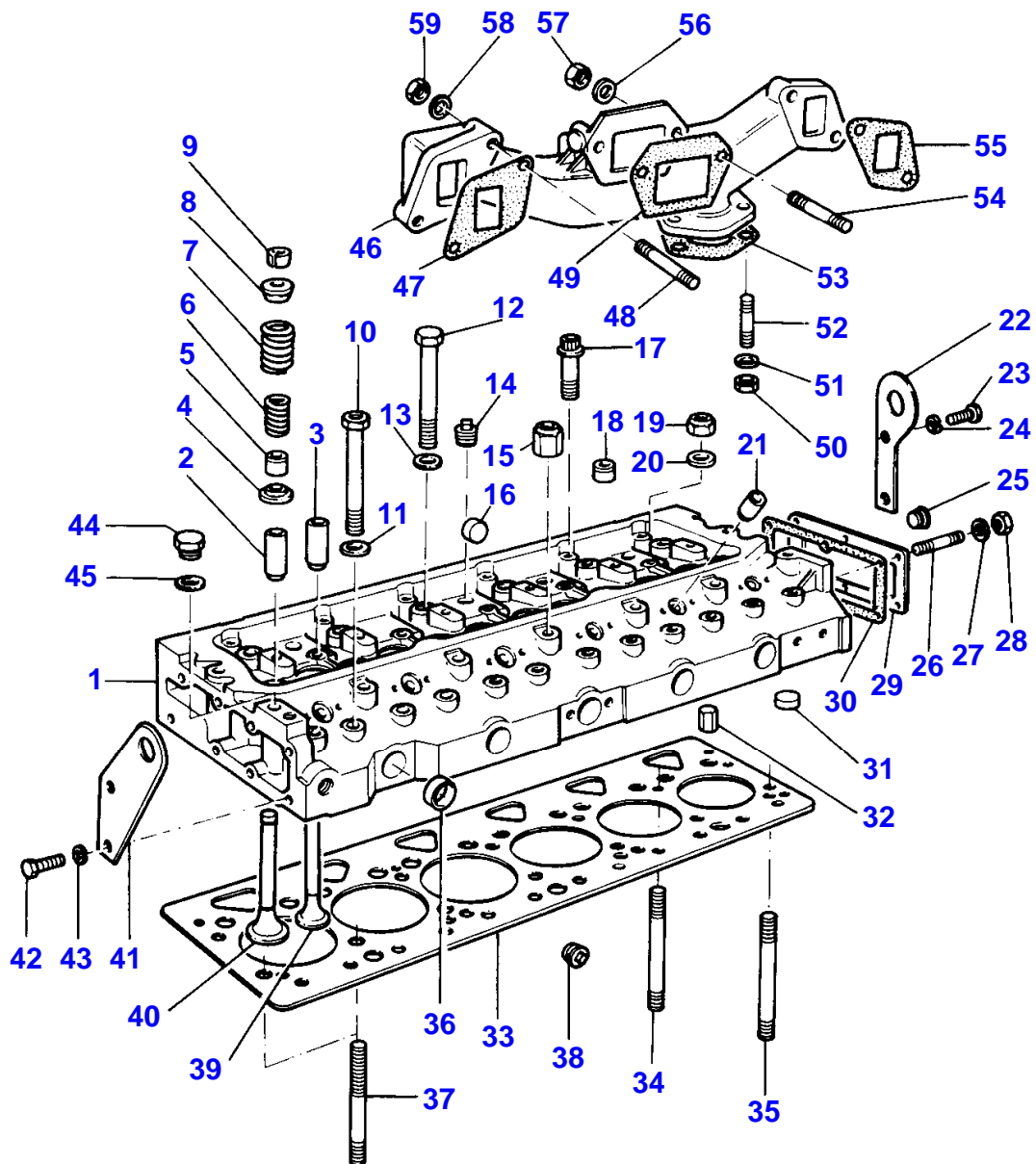
Item	Part Number	Qty	Description	Comments
				(B) PRE-TOPPED
				(C) PRE-FINISHED

12

CULASSE
 ZYLINDERKOPF
 TESTATA
 CULATA
 CYLINDER HEAD

00751014

1 0075 013



1-0075-013

CYLINDER HEAD

Item	Part Number	Qty	Description	Comments
1	68169	1	Cylinder Head	
2	33261732	6	Guide	(1)
3	33261752	6	Guide	(1)
				Repairs and replaces 33261754
4	33415118	12	Washer	(1)
5	33817125	12	Seal	(1)
6	31744131	12	Spring	(1)
7	31745121	12	Spring	(1)
8	33423122	12	Cap	(1)
9	33173108	12	Cotter	(1)
				(A)
10	32166219	12	Bolt	Repairs and replaces 32181454
11	33117122	12	Washer	Up to Serial or Engine Number
12	32166221	6	Bolt	Repairs and replaces 32181243
13	33117122	6	Washer	Up to Serial or Engine Number
14	2431154	3	Plug	(1)
15	33287344	2	Nut	Up to Serial or Engine Number
16	32417127	6	Plug	(1)
17	2172142	6	Bolt	
18	32114501	3	Plug	
19	33221322	12	Nut	Up to Serial or Engine Number
	33531132	14	Nut	From Serial or Engine Number
20	33117122	14	Washer	Up to Serial or Engine Number
21	33242112	6	Sleeve	(1)
22	36237734	1	Bracket	
23	0746453	2	Setscrew	
24	0920054	2	Washer	
25		1	Not Used	
26	0826244	6	Stud	
27	0920053	6	Washer	
28	0576002	6	Nut	
29	37532113	1	Plate	Up to Serial or Engine Number
	0940737	1	Plate	From Serial or Engine Number
30	0490485	1	Joint	
31	32417122	13	Plug	(1)
32	2116190	2	Dowel	
33	36812607	1	Gasket	Up to Serial or Engine Number
	36812613	1	Gasket	From Serial or Engine Number
34	32526324	9	Stud	
35	32526323	3	Stud	Up to Serial or Engine Number
	32526323	4	Stud	From Serial or Engine Number
36	0650710	4	Plug	(1)
				Repairs and replaces 0650563
37	32526319	2	Stud	Up to Serial or Engine Number
	32526319	1	Stud	From Serial or Engine Number
38	2431154	1	Plug	
39	31431961	6	Valve Exhaust	(1)
40	31431315	6	Valve Inlet	(1)
41	36237728	1	Plate	
42	0096432	2	Screw	
43	0920054	2	Washer	
44	0650203	1	Plug	
45	2411157	1	Washer	
46	37782274	1	Exhaust Manifold	
47	36862124	1	Joint	
48	0826521	4	Stud	
49	36862129	1	Joint	
50	2188135	3	Nut	
51	0920004	3	Washer	
52	0827818	3	Stud	
53	36822111	1	Joint	
54	0826450	2	Stud	
55	36862124	1	Joint	
56	0920469	2	Spacer	
57	2188135	2	Nut	
58	0920469	4	Spacer	
59	2188135	4	Nut	

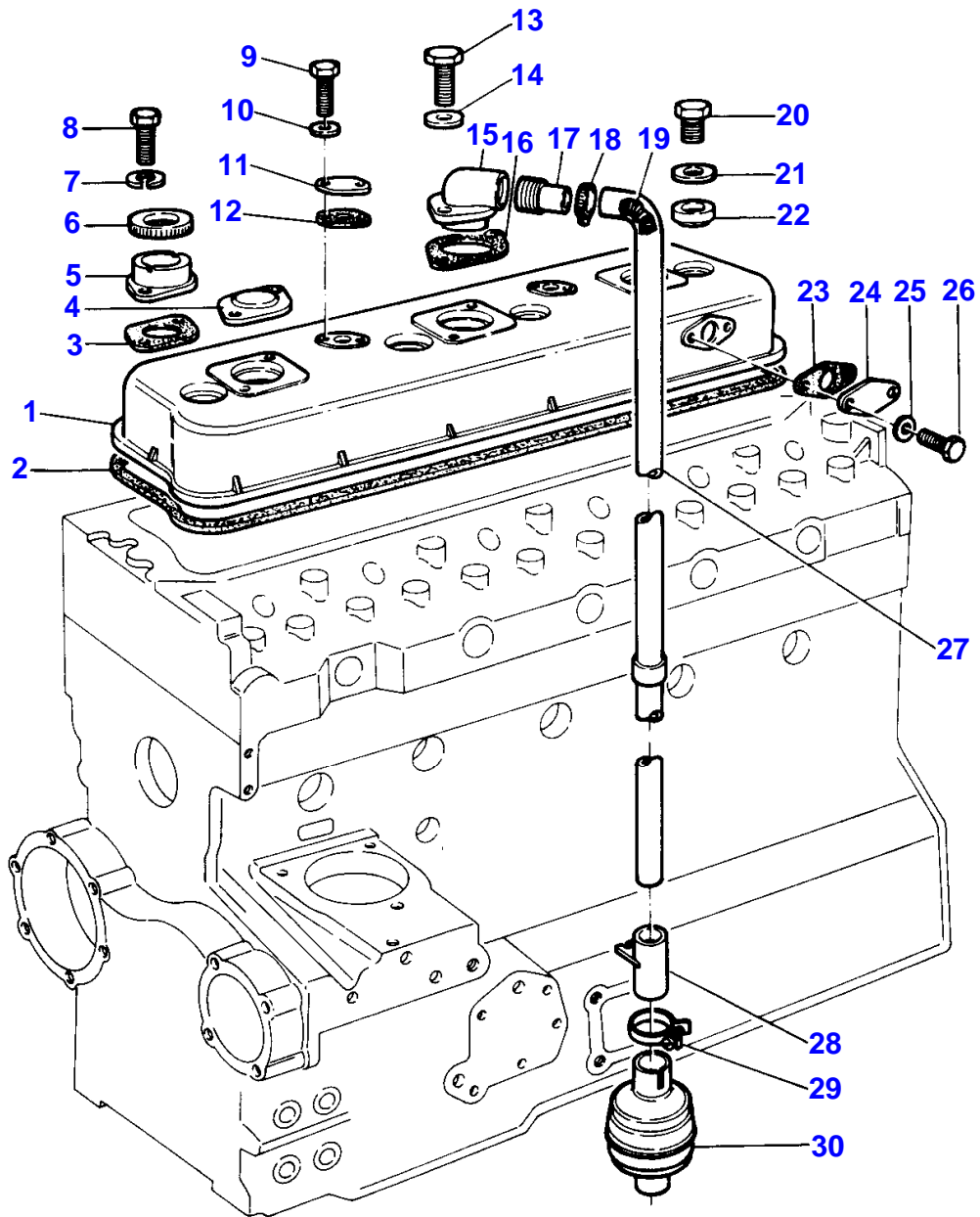
(A)
SERVICED IN PAIRS

16

CACHE CULBUTEURS
 ZYLINDERKOPFDECKEL
 COPERCHIO TESTATA
 TAPA CULATA
 CYLINDER HEAD COVER

00851009

1 0085 010



1-0085-010

Buy Now



Our support email:

ebooklibonline@outlook.com