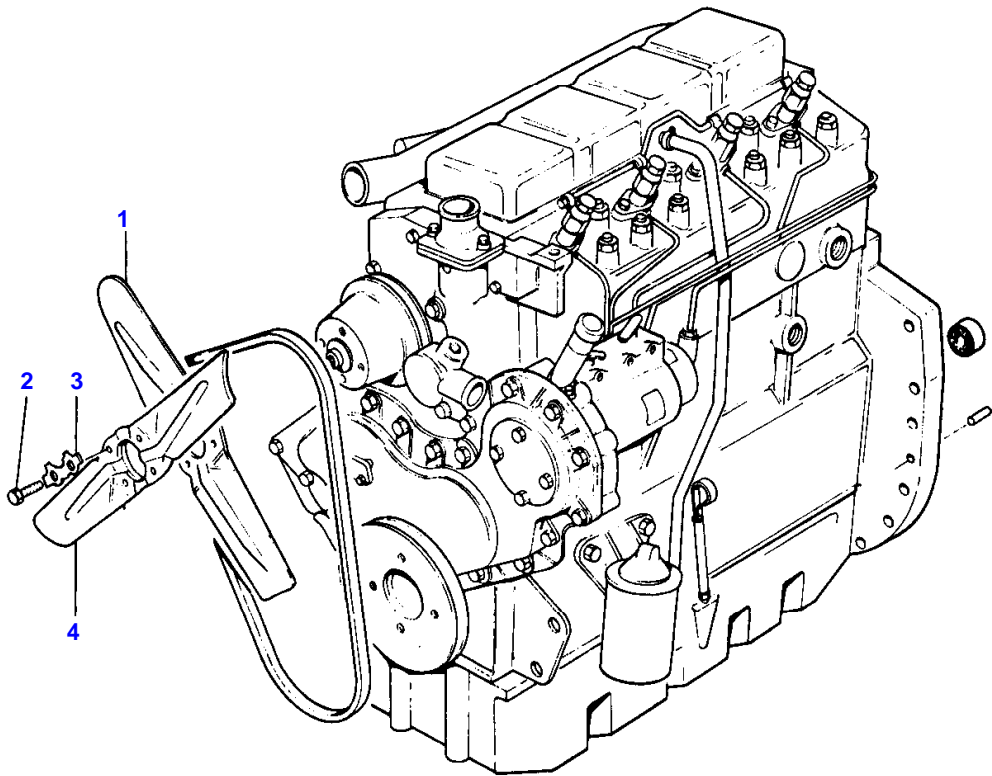


Page Title	Page Number
ENGINE AND ACCESSORIES	2
ENGINE ACCESSORIES	4
FAN	6
CYLINDER BLOCK - A4.236 ENGINE	8
CRANKSHAFT, PISTONS AND CONNECTING RODS - A4.236 ENGINE	10
FLYWHEEL AND STARTER RING - A4.236 ENGINE	14
FRONT END DRIVE INPUT AND OUTPUT - A4.236 ENGINE	16
CYLINDER HEAD - A4.236 ENGINE	18
WATER OUTLET AND INLET - A4.236 ENGINE	20
ENGINE LIFTING - A4.236 ENGINE	22
ROCKER SHAFT - A4.236 ENGINE	24
INDUCTION MANIFOLD - A4.236 ENGINE	26
EXHAUST MANIFOLD - A4.236 ENGINE	28
COLD START SYSTEM - A4.236 ENGINE	30
TIMING GEAR AND CAMSHAFT - A4.236 ENGINE	32
LUBRICATING OIL FILLER AND BREATHER - A4.236 ENGINE	34
BALANCER UNIT - A4.236 ENGINE-UP TO ENGINE NO.U880190K	36
BALANCER UNIT - A4.236 ENGINE-FROM ENGINE NO.U880191K.	38
LUBRICATING OIL SUMP - A4.236 ENGINE	40
LUBRICATING OIL FILTER AND INTEGRAL COOLER - A4.236 ENGINE	42
WATER PUMP, THERMOSTAT AND HEAT EXCHANGER - A4.236 ENGINE	44
LOW PRESSURE FUEL SYSTEM - A4.236 ENGINE	46
FUEL INJECTION EQUIPMENT (DIESEL) - A4.236 ENGINE	48
GEAR DRIVE AUXILIARY DRIVE OPTIONS - A4.236 ENGINE	50
GUARDS PTO AND ALTERNATOR	52
GUARDS PTO AND ALTERNATOR	54
ALTERNATOR POSITIONER - A4.236 ENGINE	56
JOINTS AND GASKETS-TOP SERVICE KIT - A4.236 ENGINE	58
JOINTS AND GASKETS-BOTTOM SERVICE KIT - A4.236 ENGINE	60
BATTERY	62
BATTERY - 4 WHEEL DRIVE	64
ALTERNATOR-MOTOROLA	66
ALTERNATOR-LUCAS	68
STARTER-LUCAS	70
STARTER-PARIS RHONE	72
COOLING SYSTEM	74
FUEL TANK AND ATTACHMENTS	76
FUEL FILTERS AND PIPES	78
FUEL FILTER	80
AIR FILTER - UP TO SERIAL NUMBER	82
AIR FILTER - FROM SERIAL NUMBER	84
MUFFLER VERTICAL	86
THROTTLE CONTROLS - HAND	88
THROTTLE CONTROLS - FOOT	90
THROTTLE CONTROLS - PULL STOP	92
SINGLE CLUTCH	94
PEDAL AND LINKAGE-SINGLE CLUTCH	96
DUAL CLUTCH	98
PEDAL AND LINKAGE-DUAL CLUTCH	100
TRANSMISSION-SHIFT CONTROL - SYNCHRO- ZF	102
8 SPEED SYNCHROMESH TRANSMISSION-HOUSING - SYNCHRO- ZF	104
8 SPEED SYNCHROMESH TRANSMISSION-FORK AND GEAR SHIFTRAIL - SYNCHRO- ZF	106

TABLE OF CONTENT

8 SPEED SYNCHROMESH TRANSMISSION-MAIN SHAFT - SYNCHRO- ZF	108
SYNCHRO - ZF 8 SPEED TRANSMISSION	110
8 SPEED SYNCHROMESH TRANSMISSION-COUNTERSHAFT - SYNCHRO- ZF	112
12 SPEED TRANSMISSION-SHIFT CONTROL - SYNCHRO- ZF	114
12 SPEED TRANSMISSION-HOUSING - SYNCHRO- ZF	116
12 SPEED TRANSMISSION-FORK AND GEAR SHIFTRAIL - SYNCHRO- ZF	118
12 SPEED TRANSMISSION-INPUTSHAFT - SYNCHRO- ZF	120
12 SPEED TRANSMISSION-MAIN SHAFT - SYNCHRO- ZF	122
12 SPEED TRANSMISSION-COUNTERSHAFT - SYNCHRO- ZF	124
MULTIPOWER TRANSMISSION-CONTROL - LEVER	126
MULTIPOWER TRANSMISSION-CONTROL	128
MULTIPOWER TRANSMISSION-HOUSING - SYNCHRO- ZF	130
MULTIPOWER TRANSMISSION-FORK AND GEAR SHIFT - SYNCHRO- ZF	132
MULTIPOWER TRANSMISSION-INPUT SHAFT - SYNCHRO- ZF	134
MULTIPOWER TRANSMISSION-MAIN SHAFT - SYNCHRO- ZF	136
SYNCHRO - ZF MULTIPOWER TRANSMISSION	138
MULTIPOWER TRANSMISSION-COUNTERSHAFT - SYNCHRO- ZF	140
EPICYCLIC UNIT-HEAVY DUTY	142
REAR AXLE-SPACER	144
PTO-DRIVE MECHANISM-TWO SPEED	146
PTO-DRIVE MECHANISM-TWO SPEED - WITHOUT IPTO	148
PTO-DRIVE MECHANISM-SINGLE SPEED - WITH GROUND SPEED POWER TAKE-OFF	150
IPTO-CLUTCH AND VALVES	152
PTO-CONTROL	154
REAR AXLE CENTRE HOUSING	156
REAR AXLE-ATTACHMENTS	158
REAR AXLE-DIFFERENTIAL	160
REAR AXLE-DIFFERENTIAL - WITH GROUND SPEED POWER TAKE OFF	162
REAR AXLE-DIFFERENTIAL LOCK MECHANISM	164
REAR AXLE- DIFFERENTIAL LOCK PEDAL	166
REAR AXLE-HOUSING - NORMAL DUTY	168
REAR AXLE-HOUSING - HEAVY DUTY	170
DISC BRAKES	172
HYDRAULIC BRAKE CONTROL-PEDAL	174
HYDRAULIC BRAKE CONTROL-PIPING - EARLY MODELS	176
HYDRAULIC BRAKE CONTROL-PIPING	178
MAIN CYLINDER BRAKE	180
BRAKE CYLINDER	182
HANDBRAKE - RIGHT SIDE	184
HANDBRAKE - RIGHT SIDE	186
HANDBRAKE-LINKAGE - RIGHT SIDE	188
REAR WHEELS - AAA-14X30	190
REAR WHEELS - 11X38	192
REAR WHEELS - 14X34	194
REAR WHEELS - 11X38	196
REAR WHEELS	198
FRONT WHEELS	200
FRONT WHEELS-4 WHEEL DRIVE	202
FRONT AXLE - IMPELLER HUB	204
FRONT AXLE-HEAVY DUTY - HEAVY DUTY	206
AXLE SUPPORT - UP TO SERIAL NO K 123002	208
HYDROSTATIC- STEERING - STEERING WHEEL	210
STEERING UNIT-ORBITROL DANFOSS	212
HYDROSTATIC- STEERING - SAFETY VALVE	214



1-0270-002

MASSEY FERGUSON

MF 675 TRACTOR, ->| 1984 (FR) - 1637096

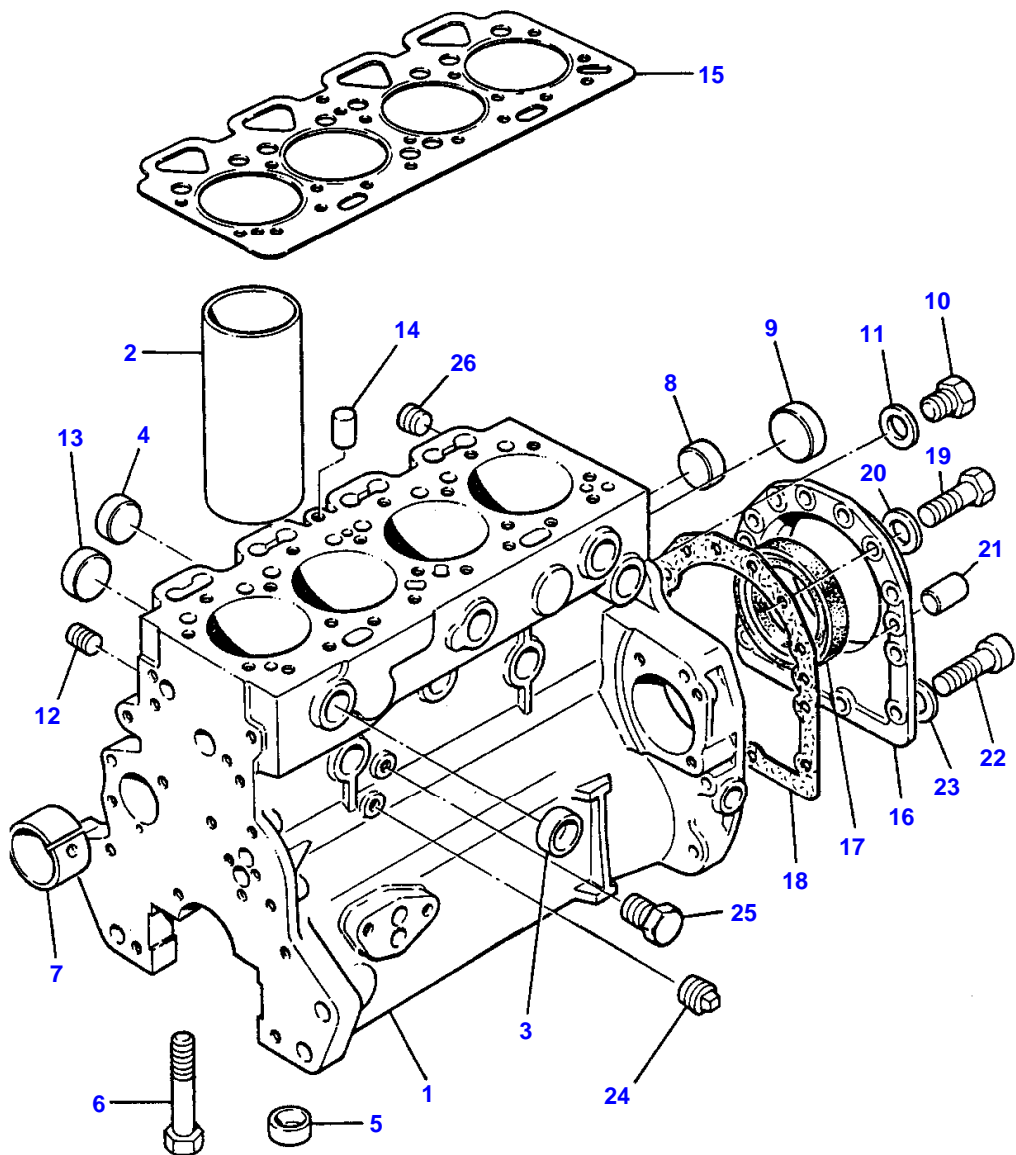
1637096

FAN

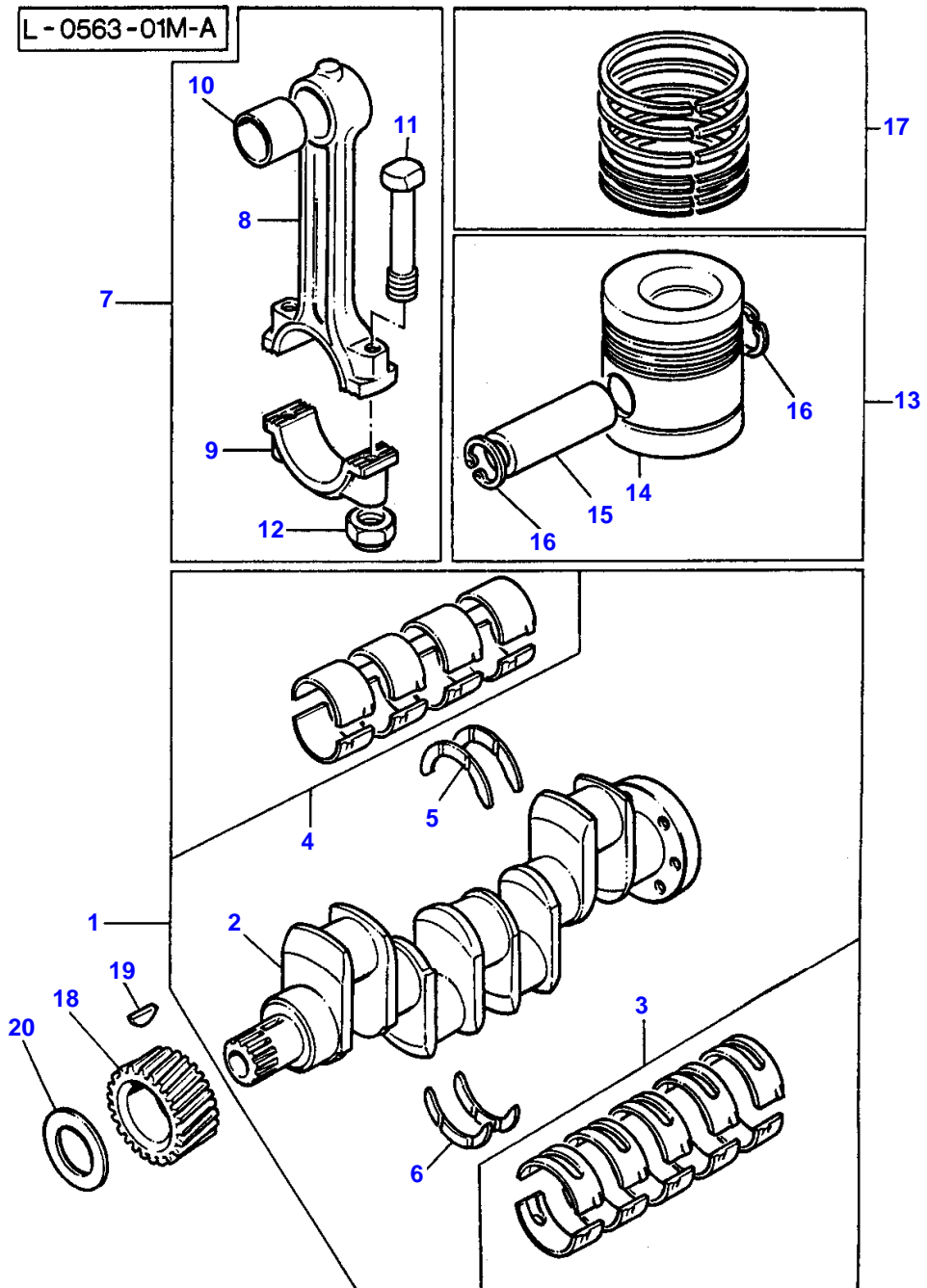
6

Item	Part Number	Qty	Description
1	894729M1	1	Fan
2	361444X1	4	Screw
3	897057M1	2	Brake
4	894730M1	1	Fan
5	37413571	1	Extension

L-0560-01M-A

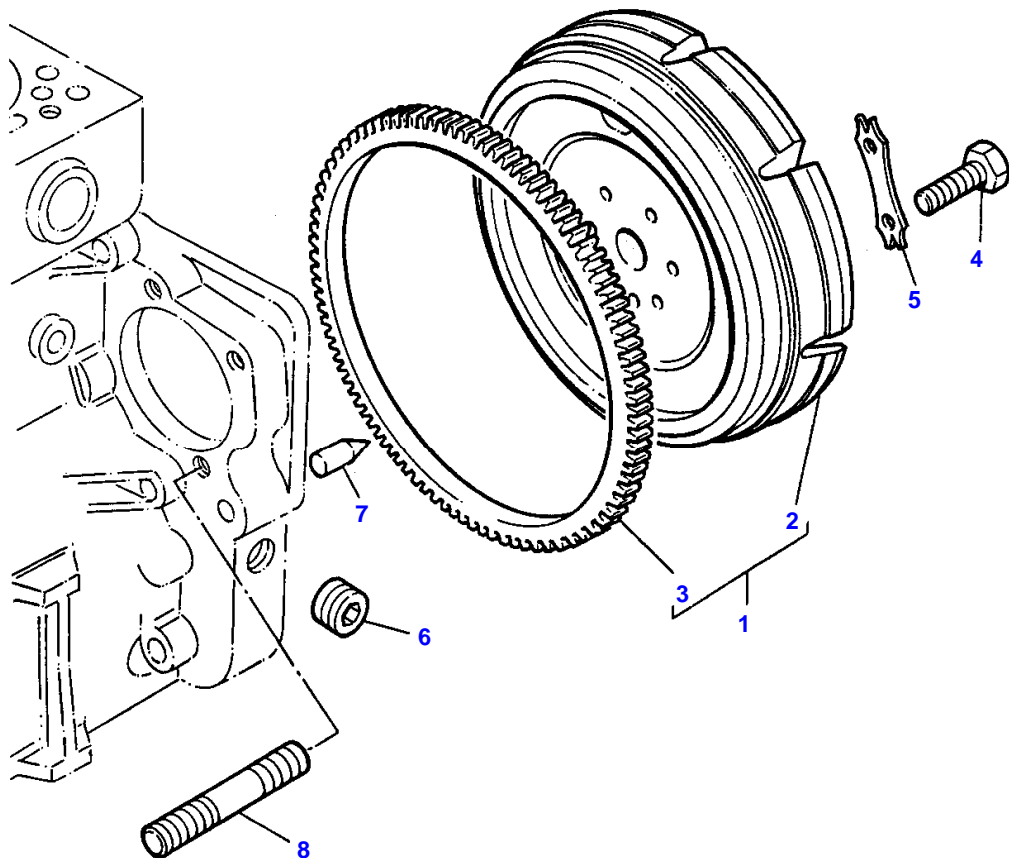


Item	Part Number	Qty	Description	Comments
				A4.236 ENGINE
1	ZZ 50144	1	Kit,Cyl.Block	(C,D) Repairs and replaces ZZ50079/81 Repairs and replaces ZZ50039/31 Repairs and replaces 61676
2	31358393	4	Liner	(1) (A,E)
2	31358394	X	Liner	(B,E)
	31358398	X	Liner	(E) Repairs and replaces 31358403 0.010" 0.25MM O/S
2	3135X031	4	Liner	(1) (A,F)
2	3135X032	X	Liner	(B,F)
3	0650710	6	Plug	(1) Repairs and replaces 0650563
4	32418117	4	Plug	(1) Repairs and replaces 0650618
5	33142111	10	Thimble	(1)
6	32166329	10	Bolt	(1)
7	31134164	1	Bush	(1) Repairs and replaces 31134163 Repairs and replaces 31134132
8	0650710	2	Plug	(1) Repairs and replaces 0650563
9	32416105	1	Plug	
10	0650582	1	Plug	
11	0920130	1	Washer	
12	32114501	1	Plug	
13	0650577	4	Plug	
14	32417134	1	Plug	
15	36812349	1	Head Gasket	
16	4142V064	1	Housing	Repairs and replaces 4142V061 Repairs and replaces 4142V031
17	2418F475	1	Seal	(16) Repairs and replaces 2415391
18	36817157	1	Joint	
19	0746211	10	Bolt	
20	0920003	10	Washer	
21	0350009	2	Dowel	
22	2172530	2	Capscrew	
23	33112111	2	Washer	
24	0650594	1	Plug	
25	32161114	2	Plug	Repairs and replaces 32161357 Repairs and replaces 32161114
26	0650588	2	Plug	
				(A) PRESS FIT
				(B) SLIP FIT
				(C) WAS ZZ50031 USE ZZ50039/32166337(2)/32166338(12)/3 2166339(8).
				(D) WAS ZZ50039 USE ZZ50081 WITH 36812352/33153157/211 6053/2184634(3)
				(E) USED ONLY WITH ZZ50039/ZZ50031/61676.
				(F) USED ONLY WITH ZZ50081.



Item	Part Number	Qty	Description	Comments
				A4.236 ENGINE
1	ZZ 90082	1	Kit, Crankshaft	Repairs and replaces ZZ90083 Repairs and replaces U5BG0026 Repairs and replaces 68609
2		1	Crankshaft	(1) Not serviced, order REF.1
3	81558	1	Kit, Bearing	(1) (A)
3	81558A	X	Kit, Bearing	(A) Thickness (-)0.25MM Thickness (-)0.010"
3	81558B	X	Kit, Bearing	(A) Thickness (-)0.50MM Thickness (-)0.020"
3	81558C	X	Kit, Bearing	(A) Thickness (-)0.75MM Thickness (-)0.030"
4	85042	1	Kit, Bearing	(1) (A)
4	85042A	X	Kit, Bearing	(A) Thickness (-)0.25MM Thickness (-)0.010"
4	85042B	X	Kit, Bearing	(A) Thickness (-)0.50MM Thickness (-)0.020"
4	85042C	X	Kit, Bearing	(A) Thickness (-)0.75MM Thickness (-)0.030"
5	31137551	2	Thrust Washer	(1) Repairs and replaces 31137311
5	31137312	X	Thrust Washer	Thickness (+)0.19MM Thickness (+)0.0075"
6	31137561	2	Thrust Washer	(1) Repairs and replaces 31137321
6	31137322	X	Thrust Washer	Thickness (+)0.19MM Thickness (+)0.0075"
7	ZZ 90009	4	Kit, Conrod	Repairs and replaces M7BJ0015
8		1	Conrod	(7) Not serviced, order REF.7
9		1	Cap	(7) Not serviced, order REF.7
10	31134123	1	Bush	(7)
11	32762144	2	Bolt	(7)
12	33221328	2	Nut	(7)
13	68300	4	Kit, Piston	(B)
	68301	4	Kit, Piston	(C)
	68301C	X	Kit, Piston	(C) Thickness (+)0.75MM Thickness (+)0.030"
14		1	Piston	(13) Not serviced, order REF.13
15		1	Pin	(13) Not serviced, order REF.13
16	0170002	2	Circlip	(13)
17	41158041	4	Kit, Piston Ring	
	41158041C	X	Kit, Piston Ring	Thickness (+)0.75MM Thickness (+)0.030"
18	31171681	1	Gear,Crankshaft	28T
19	0500012	1	Woodruff Key	
20	33125416	1	Washer	
				(A) PRE-FINISHED
				(B) UNTOPPED
				(C) PRE-TOPPED

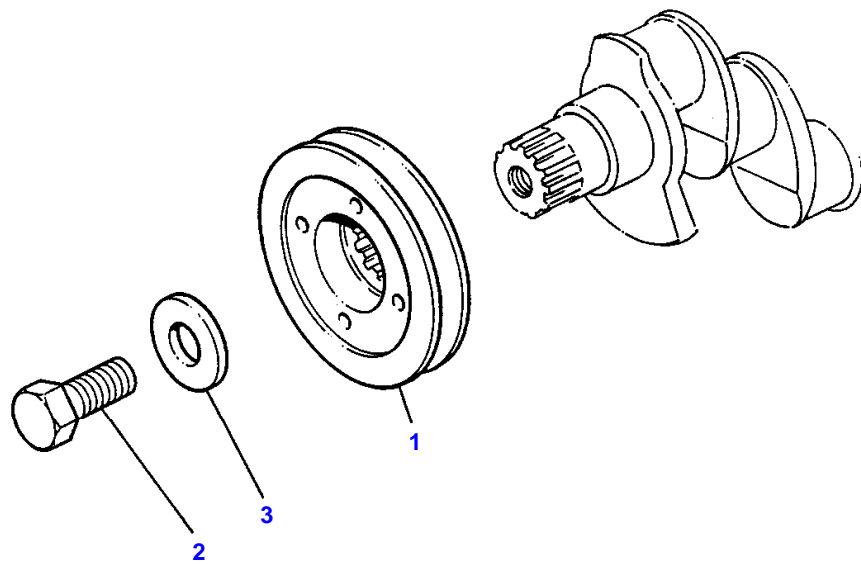
L-0600-01M-A



MASSEY FERGUSON**MF 675 TRACTOR, ->| 1984 (FR) - 1637096****1637096****FLYWHEEL AND STARTER RING - A4.236 ENGINE****14**

Item	Part Number	Qty	Description	Comments
				A4.236 ENGINE
1	41117084	1	Flywheel	
2		1	Flywheel	(1) Not serviced, order REF.1
3	0410236	1	Starter Ring	(1) 115T
4	2182122	6	Setscrew	
5	33117127	6	Washer	Repairs and replaces 33117121
6	0650588	1	Plug	
7	32452113	1	Pointer	
8	0826481	3	Stud	

L-0625-01M - A



MASSEY FERGUSON

MF 675 TRACTOR, ->| 1984 (FR) - 1637096

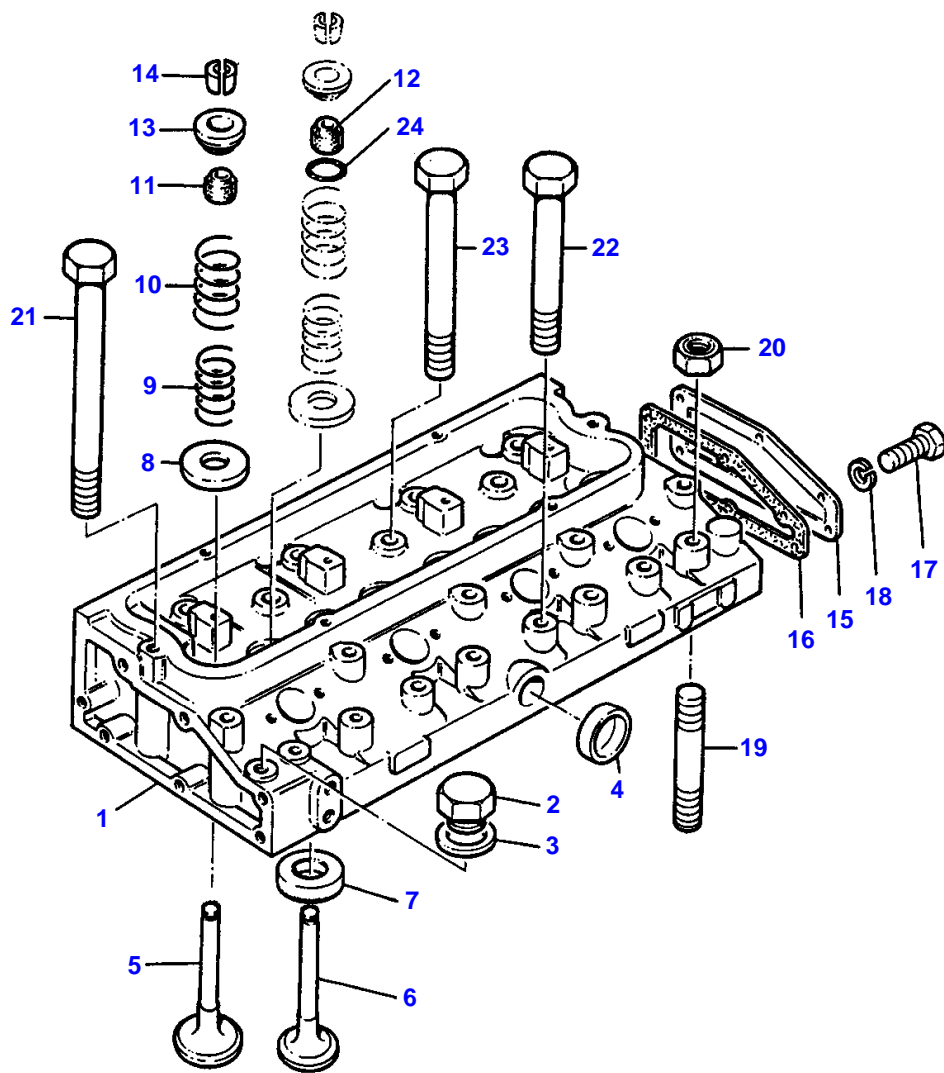
1637096

FRONT END DRIVE INPUT AND OUTPUT - A4.236 ENGINE

16

Item	Part Number	Qty	Description	Comments
				A4.236 ENGINE
1	31148714	1	Pulley,Crank	Repairs and replaces 31148713
2	32162331	1	Screw	Repairs and replaces 32162318
3	33125124	1	Washer	

L-0566-01M-A



Buy Now



Our support email:

ebooklibonline@outlook.com