

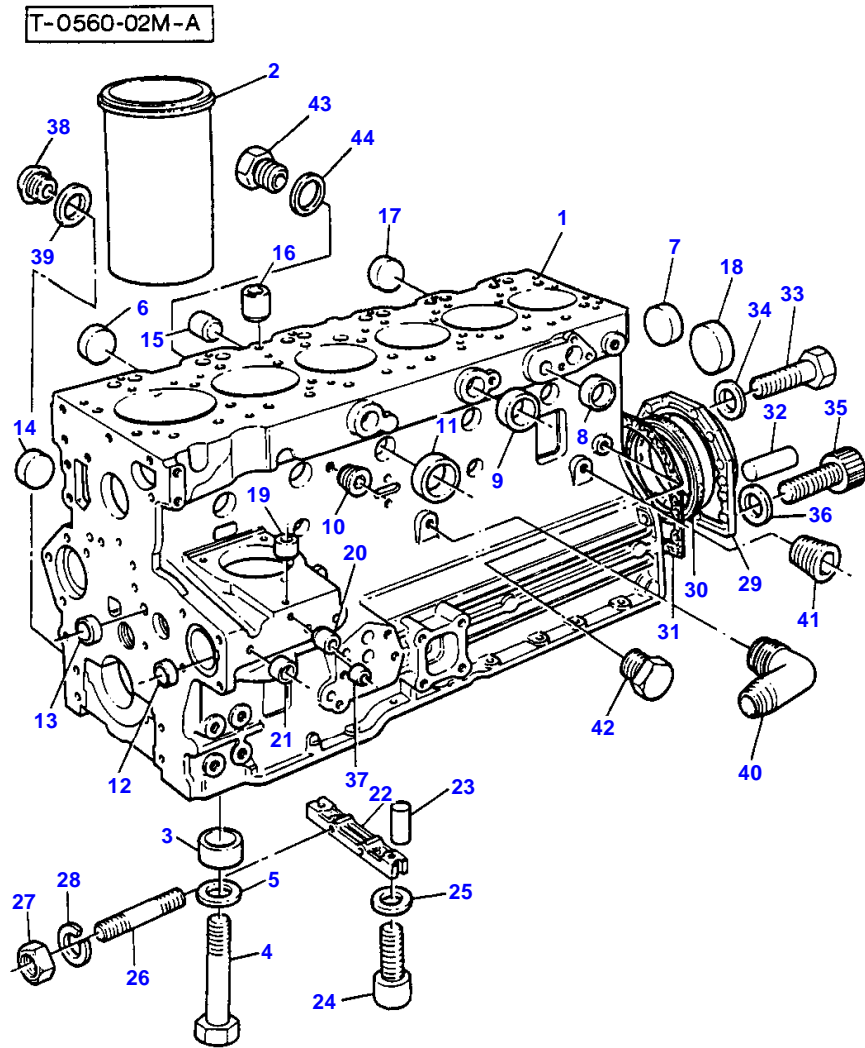
Page Title	Page Number
ENGINE AND ACCESSORIES - UP TO SERIAL NO	2
ENGINE AND ACCESSORIES - BELT- PULLEY- UP TO SERIAL NO	4
ENGINE AND ACCESSORIES - FROM TO SERIAL NO	6
ENGINE AND ACCESSORIES - SOUTH-AFRICA	7A
CYLINDER BLOCK - AT6.354.4 ENGINE	8
FLYWHEEL HOUSING - AT6.354.4 ENGINE	12
CRANKSHAFT, PISTONS AND CONNECTING RODS - AT6.354.4 ENGINE	14
CYLINDER HEAD - AT6.354.4 ENGINE	18
ROCKER SHAFT - AT6.354.4 ENGINE	20
ENGINE LIFTING - AT6.354.4 ENGINE	24
TURBOCHARGER - AT6.354.4 ENGINE	26
TURBOCHARGER - AT6.354.4 ENGINE	27A
TURBOCHARGER-INLET AND EXHAUST MANIFOLD - AT6.354.4 ENGINE	28
TURBOCHARGER-PIPES AND HEAT SHIELDS - AT6.354.4 ENGINE	30
TIMING GEAR AND CAMSHAFT - AT6.354.4 ENGINE	32
FRONT END DRIVE INPUT AND OUTPUT - AT6.354.4 ENGINE	36
FRONT END DRIVE INPUT AND OUTPUT - AT6.354.4 ENGINE	38
AUXILIARY DRIVE - AT6.354.4 ENGINE	40
LUBRICATING OIL PUMP AND DELIVERY HOUSING - AT6.354.4 ENGINE	42
LUBRICATING OIL SUMP - AT6.354.4 ENGINE	44
LUBRICATING OIL FILLER AND BREATHER - AT6.354.4 ENGINE	46
LUBRICATING OIL FILTER AND INTEGRAL COOLER - AT6.354.4 ENGINE	48
WATER PUMP, THERMOSTAT AND HEAT EXCHANGER - AT6.354.4 ENGINE	50
WATER OUTLET AND INLET - AT6.354.4 ENGINE	54
FAN AND EXTENSION - AT6.354.4 ENGINE	55A
GEAR DRIVE AUXILIARY DRIVE OPTIONS - AT6.354.4 ENGINE	56
FUEL INJECTION EQUIPMENT (DIESEL) - AT6.354.4 ENGINE	58
LOW PRESSURE FUEL SYSTEM - AT6.354.4 ENGINE	62
JOINTS AND GASKETS-TOP SERVICE KIT - AT6.354.4 ENGINE	66
JOINTS AND GASKETS-BOTTOM SERVICE KIT - AT6.354.4 ENGINE	68
BATTERY	70
TOOL BOX BATTERY BOX	72
ENGINE AND ACCESSORIES - TENSIONER- UP TO SERIAL S 133202	74
ENGINE AND ACCESSORIES - TENSIONER- FROM TO SERIAL NO S 133203- UP TO SERIAL NO	76
ALTERNATOR-MOTOROLA - WITH CAB	78
ALTERNATOR-MOTOROLA - TRACTOR WITH PLATFORM	80
ALTERNATOR-MOTOROLA	82
STARTER-LUCAS	84
STARTER-LUCAS	85A
COOLING SYSTEM - AIR CONDITIONER- UP TO SERIAL K 125209	86
COOLING SYSTEM - AIR CONDITIONER- FROM SERIAL NO K 125210	88
COOLING SYSTEM - COMPRESSOR GENERAL MOTORS- UP TO SERIAL NO L 178202	90
COOLING SYSTEM - INSTALLATION AIR CONDITIONED WITH COMPRESSOR-SANK YO FROM TO SERIAL NO L 178203	91A
RADIATOR - ASSEMBLING	92
RADIATOR - FEEDING	94
ELECTRICAL EQUIPMENT	96
FUEL TANK AND ATTACHMENTS	98
FUEL TANK AND ATTACHMENTS - FUEL TUBE	100
AIR FILTER - EQUIPMENT	102
AIR FILTER - EQUIPMENT	104
AIR FILTER - EQUIPMENT- WITH- ETHER	106

TABLE OF CONTENT

AIR FILTER - EQUIPMENT WITH OTHER	100
AIR FILTER - LAUTRETTE- UP TO SERIAL NO T 207204	108
AIR FILTER - LAUTRETTE : FROM SERIAL NO T 198210 FOR 2720- FROM SERIAL NO T 207205 FOR 2620-2640-2680	109A
AIR PRE FILTER	110
EXHAUST SYSTEM	112
EXHAUST SYSTEM	114
THROTTLE CONTROLS - HAND THROTTLE	116
THROTTLE CONTROLS - FOOTTHROTTLE.OLD MOUNTING	118
THROTTLE CONTROLS - INJECTION PUMP BEADCORE	120
THROTTLE CONTROLS - FOOTTHROTTLE	121A
FRONT SPACER	122
CLUTCH	124
CLUTCH PEDAL AND LINKAGE - PEDAL	126
CLUTCH PEDAL AND LINKAGE - MASTER CYLINDER	128
MASTER CYLINDER	130
TRANSMISSION	132
TRANSMISSION-HOUSING - UP TO SERIAL NB K 204204	134
TRANSMISSION-HOUSING - FROM SERIAL NB K204205	136
TRANSMISSION - UP TO SERIAL NO S 268000	140
16 SPEED TRANSMISSION-COVER	142
16 SPEED TRANSMISSION-COVER - POWER TAKE OFF SHAFT- UP TO SERIAL NO K 223205	144
16 SPEED TRANSMISSION-COVER - POWER TAKE OFF SHAFT- FROM TO SERIAL NO K 223206	146
16 SPEED TRANSMISSION-COVER - GAMMA 2 CLUTCH SHAFT	148
16 SPEED TRANSMISSION-COVER - GAMMA 2 COVER	150
16 SPEED TRANSMISSION-COVER - CREEPER GEAR - FRONT COVER	152
16 SPEED TRANSMISSION-COVER - CREEPER GEAR	154
16 SPEED TRANSMISSION-COVER - CREEPER GEAR - REAR COVER	156
16 SPEED TRANSMISSION-COVER - GAMMA 2 CLUTCH AND REDUCER	158
16 SPEED TRANSMISSION-COVER - GAMMA 2 INPUT SHAFT- WITHOUT SYNCHRO-MESH	160
16 SPEED TRANSMISSION-COVER - GAMMA 2 INPUT SHAFT- WITH SYNCHRO-MESH	161B
TRANSMISSION - GAMMA 2 GEAR TRAIN	161C
TRANSMISSION - MAIN SHAFT AND DUTPUT SHAFT	164
TRANSMISSION	166
TRANSMISSION - MARK II- OUTPUT SHAFT- ASSEMBLING	168
TRANSMISSION-COUNTERSHAFT - MARK II	170
TRANSMISSION-MAIN SHAFT - MARK II- GEAR TRAIN	172
16 SPEED TRANSMISSION-INTERNAL CONTROL	174
TRANSMISSION-SHIFT CONTROL	176
TRACTION GEARCHANGE CONTROLS	178
TRANSMISSION - CONTROL VANE GAMMA 2- 2 WHEEL DRIVE	180
PTO-DRIVE MECHANISM-TWO SPEED	182
PTO-DRIVE MECHANISM-TWO SPEED - SHAFT	184
PTO-CONTROL	186
IPTO-CLUTCH AND VALVES	188
IPTO-CLUTCH AND VALVES - UNITED STATES- FROM SERIAL NO- K 223206	190
REAR AXLE CENTRE HOUSING	192
REAR AXLE CENTRE HOUSING - UNITED STATES	194
REAR AXLE-DIFFERENTIAL - WITH HYDRAULIC LOCK- UP TO SERIAL NO K 125204	196
REAR AXLE-DIFFERENTIAL LOCK MECHANISM - HYDROMECHANICAL- FROM SERIAL NO K 125205	198
REAR AXLE-DIFFERENTIAL - WITH HYDRAULIC LOCK- UP TO SERIAL NO K 125204	200
REAR AXLE-DIFFERENTIAL - WITH LOCK MECHANISM HYDROMECHANICAL - FROM	202

TABLE OF CONTENT

REAR AXLE-DIFFERENTIAL - WITH LOCK MECHANISM (HYDROMECHANICAL) FROM SERIAL N O K 125205	202
REAR AXLE-DIFFERENTIAL LOCK MECHANISM - HIDRAULIC CONTROL- UP TO SERIAL K 131201	206
REAR AXLE-DIFFERENTIAL LOCK MECHANISM - HIDRAULIC CONTROL- FROM SERIAL K 131202	208
REAR AXLE-DIFFERENTIAL LOCK MECHANISM	210
REAR AXLE-HOUSING - NORMAL DUTY	212
REAR AXLE-HOUSING - HEAVY DUTY	214
HYDRAULIC BRAKE CONTROL - PEDALS	216
HYDRAULIC BRAKE CONTROL - WITH TRAILER BRAKING WITHOUT COMPENSATING- FROM TO SERIAL NO T 129216	218
HYDRAULIC BRAKE CONTROL - WITHOUT TRAILER BRAKING WITHOUT COMPENSATING- UP T O SERIAL NO T 129215	220
HYDRAULIC BRAKE CONTROL - WITHOUT TRAILER BRAKING WITHOUT COMPENSATING- FROM SERIAL NO T 129216	222
HYDRAULIC BRAKE CONTROL - WITHOUT TRAILER BRAKING WITH COMPENSATING- UP TO S ERIAL NO T 219215	224
HYDRAULIC BRAKE CONTROL - WITHOUT TRAILER BRAKING WITH COMPENSATING- FROM SE RIAL NO T 129216	226
HYDRAULIC BRAKE CONTROL-PIPING - WITH TRAILER BRAKING WITHOUT COMPENSATING- UP TO S ERIAL NO T 129215	228
HANDBRAKE - TOP CONTROL	230
HANDBRAKE - BOTTOM CONTROL	232
REAR WHEELS	234
REAR WHEELS - FOR AMERICAS REGION- FIXING BY BRIDLE	236
REAR WHEELS	238
REAR WHEELS	240
REAR WHEELS	242
REAR WHEELS - FOR U.S.A.- FIXING BY CONE	244
REAR WHEELS	245A
REAR WHEELS - FIXED WHEELS FIXING BY CONE- USA (WESTERN)	245C
REAR WHEELS-4 WHEEL DRIVE	246
FRONT WHEELS	250
FRONT WHEELS-2 WHEEL DRIVE - U.S.A	252
FRONT WHEELS-4 WHEEL DRIVE	254
FRONT WHEELS-4 WHEEL DRIVE	256
FRONT WHEELS-4 WHEEL DRIVE - VARIABLE- THREADS- WHEEL	258
FRONT WHEELS-4 WHEEL DRIVE - VARIABLE THREADS WHEEL	260
WHEELS - WEIGHT	262
AXLE SUPPORT - VENTRAL WEIGHT	264
AXLE SUPPORT - 2 WHEEL DRIVE	266
AXLE SUPPORT - 2 WHEEL DRIVE	268
FRONT AXLE-2 WHEEL DRIVE	270
FRONT AXLE-2 WHEEL DRIVE - UNITED STATES	272
STEERING - GEMMER UP TO SERIAL K 204202- TELESCOPIC STEERING WHEEL	274
STEERING - DANFOSS FROM TO SERIAL NO K 204203- TELESCOPIC STEERING WHEEL	278
STEERING - TELESCOPIC STEERING LOCKING- GEMMER UP TO SERIAL K 204202	280
STEERING - TELESCOPIC STEERING LOCKING- DANFOSS FROM SERIAL K 204203	282
HYDROSTATIC- STEERING - GEMMER- UP TO SERIAL K 204202	284
HYDROSTATIC- STEERING - DANFOSS- FROM SERIAL K 204203	286
HYDROSTATIC- STEERING - DANFOSS FROM TO SERIAL NO K 204203- CONTINUATION	288
STEERING UNIT-ORBITROL DANFOSS - DANFOSS- FROM SERIAL K 204203	289A
HYDROSTATIC- STEERING - EXHAUSTER	290
HYDROSTATIC STEERING-2 WHEEL DRIVE - BOTTOM LINES	292
HYDROSTATIC- STEERING-4 WHEEL DRIVE - BOTTOM LINES	294



Item	Part Number	Qty	Description	Comments
				AT6.354.4 ENGINE
1	ZZ 50008	1	Kit,Cyl.Block	Repairs and replaces ZZ50043
2	31358393	6	Liner	Repairs and replaces 63614 (1) (A)
2	31358394	X	Liner	(B)
	31358398	X	Liner	Repairs and replaces 31358403 Thickness (+) 0.010" Thickness (+) 0.25MM
3	33142111	14	Thimble	(1)
4	32166329	14	Bolt	(1)
5		14	Washer	(D)
6	32418117	6	Plug	(1) Repairs and replaces 0650618
7	32418117	2	Plug	(1) Repairs and replaces 0650618
8	0650692	1	Plug	(1) Repairs and replaces 0650664
9	0650710	4	Plug	(1)
10	2431A054	1	Plug	(1) Repairs and replaces 0650586
11	32416116	5	Plug	(1) Repairs and replaces 32417155 Repairs and replaces 32418121
12	32417115	1	Plug	
13	0650566	2	Plug	
14	32418122	1	Plug	Repairs and replaces 0650712
15	32417133	1	Plug	
16	32417134	1	Plug	
17	32418117	5	Plug	Repairs and replaces 0650618
18	32416105	1	Plug	
19	32417134	1	Plug	
20	32417134	1	Plug	
21	32417127	2	Plug	
22	3627P011	1	Bridge Piece	Repairs and replaces 36277825 Repairs and replaces 36277833
23	32811408	2	Joint	(C)
24	2172514	2	Screw	Repairs and replaces 2176369
25	0920521	2	Washer	(C)
26	0826201	2	Stud	
27	0576002	2	Nut	
28	0920053	2	Washer	
29	4142V064	1	Housing	Repairs and replaces 4142V061 Repairs and replaces 4142V031 Repairs and replaces 37513851
30	2418F475	1	Seal	(29) Repairs and replaces 2415391
31	36817157	1	Joint	
32	0350009	2	Dowel	
33	0746211	10	Bolt	
34	0920003	10	Washer	
35	2172530	2	Capscrew	
36	33112111	2	Washer	
37	32417115	1	Plug	
38	32168232	4	Plug	Repairs and replaces 32168231
39	2411157	4	Washer	
40	0201568	1	Connection	
41	2431131	1	Plug	
42	32161114	2	Plug	Repairs and replaces 32161357
43	32161317	1	Plug	
44	2411156	1	Washer	

(A)
PRESS FIT

(B)
SLIP FIT

MASSEY FERGUSON

MF 2680 TRACTOR, |-> 271213 - 1637121

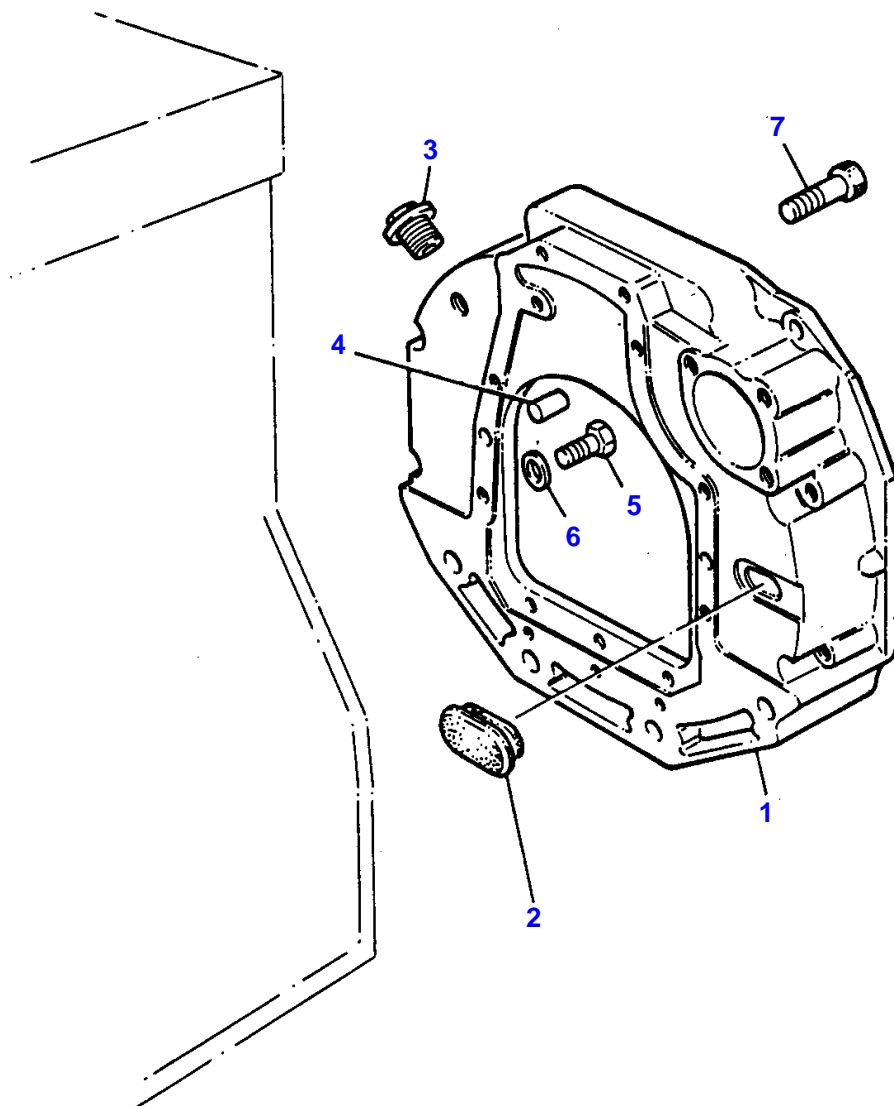
1637121

CYLINDER BLOCK - AT6.354.4 ENGINE

8

Item	Part Number	Qty	Description	Comments
				(C) USED ONLY WITH 36277831/36277833. NOT REQUIRED WITH 36277825/3627P011.
				(D) NO LONGER REQUIRED ON THIS APPLICATION

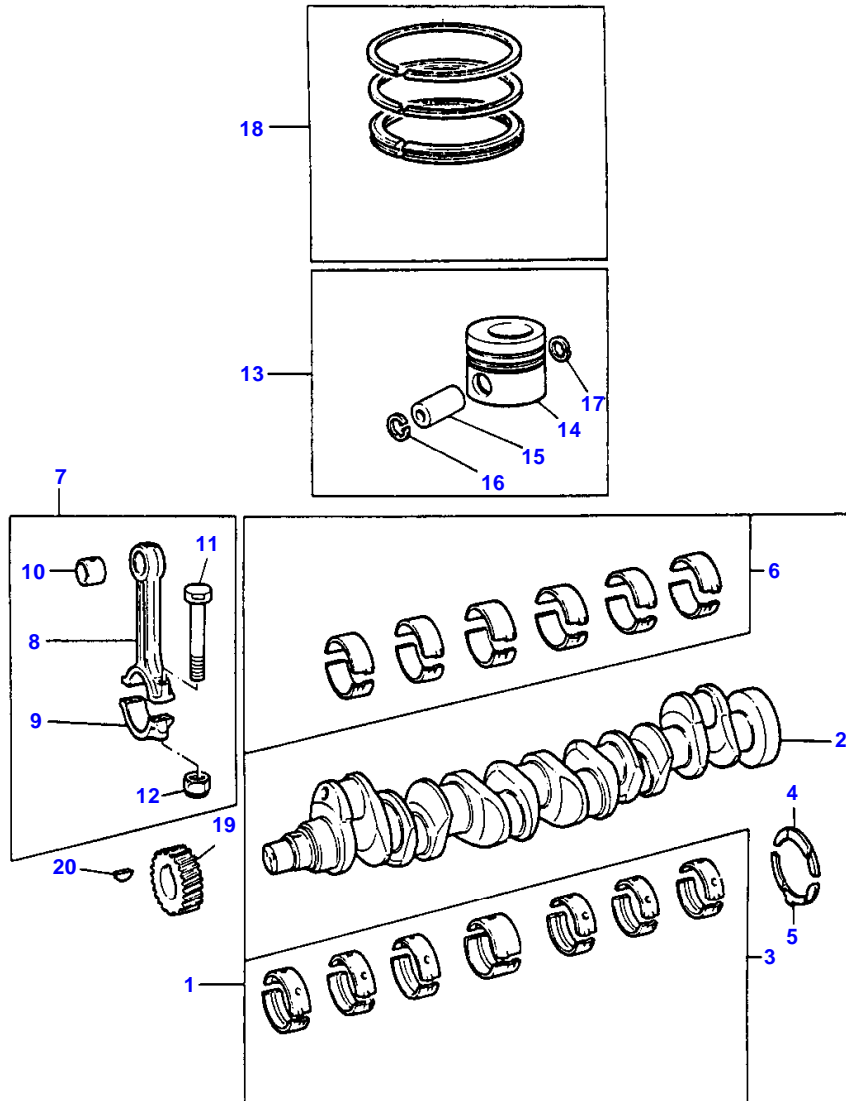
T-0596-02M-B



MASSEY FERGUSON**MF 2680 TRACTOR, |-> 271213 - 1637121****1637121****FLYWHEEL HOUSING - AT6.354.4 ENGINE****12**

Item	Part Number	Qty	Description	Comments
				AT6.354.4 ENGINE
1	37148191	1	Plate	Up to Serial or Engine Number U739319M
	37148192	1	Plate	From Serial or Engine Number U739320M
2	37813113	1	Plug	
3	32186404	1	Plug	Up to Serial or Engine Number U739319M
4	32455119	2	Dowel	
5	0746462	6	Bolt	
6	33115129	6	Washer	
7	2222157	2	Screw	

T-0563-02M-A



Item	Part Number	Qty	Description	Comments
				AT6.354.4 ENGINE
1	ZZ 90086	1	Kit, Crankshaft	Repairs and replaces U5BG0035
2		1	Crankshaft	Repairs and replaces 68077 (1) Not serviced, order REF.1
3	68079	1	Kit, Bearing	(1) (A)
3	68079A	X	Kit, Bearing	(A) Thickness (-)0.25MM Thickness (-)0.010"
3	68079B	X	Kit, Bearing	(A) Thickness (-)0.50MM Thickness (-)0.020"
3	68079C	X	Kit, Bearing	(A) Thickness (-)0.75MM Thickness (-)0.030"
4	31137551	2	Thrust Washer	(1) Repairs and replaces 31137311
4	31137312	X	Thrust Washer	Thickness (+)0.19MM Thickness (+)0.0075"
5	31137561	2	Thrust Washer	(1) Repairs and replaces 31137321
5	31137322	X	Thrust Washer	Thickness (+)0.19MM Thickness (+)0.0075"
6	U5ME0003	1	Kit, Bearing	(1) (A) Repairs and replaces 89064
6	U5ME0003A	X	Kit, Bearing	(A) Thickness (-)0.25MM Thickness (-)0.010" Repairs and replaces 89064A
6	U5ME0003B	X	Kit, Bearing	(A) Thickness (-)0.50MM Thickness (-)0.020" Repairs and replaces 89064B
6	U5ME0003C	X	Kit, Bearing	(A) Thickness (-)0.75MM Thickness (-)0.030" Repairs and replaces 89064C
7	ZZ 90013	6	Kit, Conrod	Repairs and replaces M7BJ0053
8		1	Conrod	(7) Not serviced, order REF.7
9		1	Cap	(7) Not serviced, order REF.7
10	31134131	1	Bush	(7)
11	32762144	2	Bolt	(7)
12	33221328	2	Nut	(7)
13	68802	6	Kit, Piston	(B,D) Repairs and replaces 68390
13	68803	6	Kit, Piston	(C,D) Repairs and replaces 68391
14		1	Piston	(13) Not serviced, order REF.13
15		1	Pin	(13) Not serviced, order REF.13
16	2721A029	1	Circlip	(13)
17	2721A029	1	Circlip	(13)
18	41158005	6	Kit, Piston Ring	(D,E)
19	31171211	1	Gear,Crankshaft	(F,G) 28T
19	31171682	1	Gear,Crankshaft	(H,J) 28T
20	0500012	1	Woodruff Key	(G,J) (A) PRE-FINISHED (B) UNTOPPED

MASSEY FERGUSON

MF 2680 TRACTOR, |-> 271213 - 1637121

1637121

CRANKSHAFT, PISTONS AND CONNECTING RODS - AT6.354.4 ENGINE

14

Item Part Number Qty Description Comments

(C)
PRE-TOPPED

(D)
REFER TO SERVICE BULLETIN NO.10

(E)
REPLACES 68238/68498

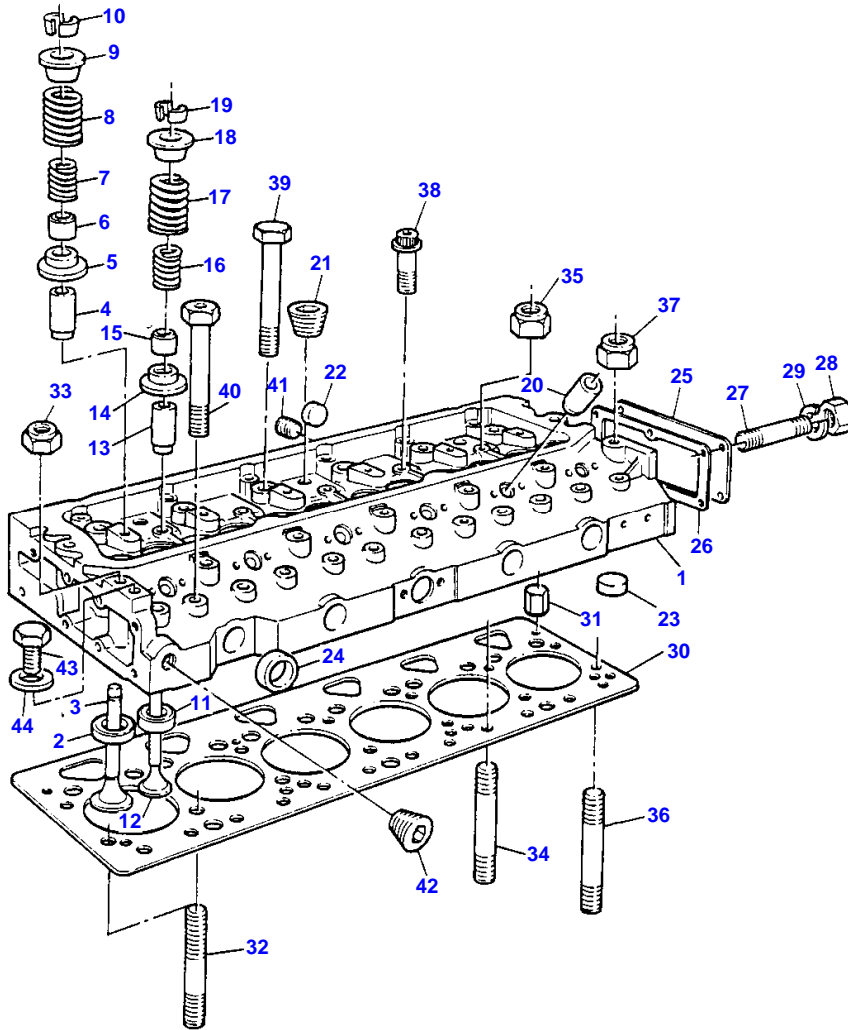
(F)
USED ONLY WITH 68077

(G)
NOT INCLUDED IN 68077

(H)
USED ONLY WITH U5BG0035 AND ZZ90086.

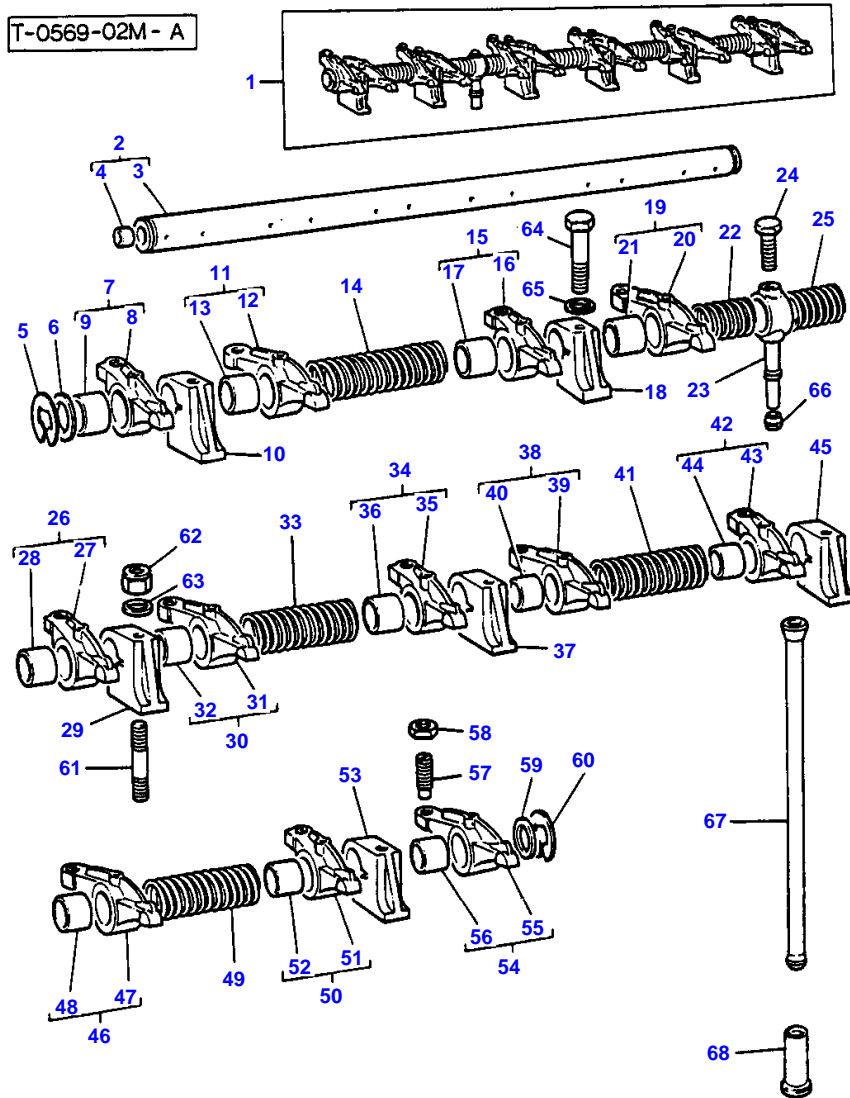
(J)
ALSO INCLUDED IN U5BG0035. AND ZZ90086.

T-0566-02M-A



Item	Part Number	Qty	Description	Comments
				AT6.354.4 ENGINE
1	ZZ 80024	1	Kit, Cyl. Head	Repairs and replaces ZZ80027 Repairs and replaces 68172
2	33152155	6	Insert	(1)
3	31431315	6	Valve Inlet	(1)
4	3343F002	6	Guide	(1) Repairs and replaces 33261732 Repairs and replaces 3343F001
5	33415118	6	Washer	(1)
6	33817117	6	Seal	(1)
7	31744131	6	Spring	(1)
8	31745121	6	Spring	(1)
9	33423147	6	Cap	(1) Repairs and replaces 33423122
10	33173108	12	Cotter	(1) (A)
11	33152154	6	Insert	(1)
12	3142A051	6	Valve Exhaust	(1) Repairs and replaces 31431961
13	3343J002	6	Guide	(1) Repairs and replaces 3343J001 Repairs and replaces 33261754
14	33415118	6	Washer	(1)
15	33817117	6	Seal	(1)
16	31744131	6	Spring	(1)
17	31745121	6	Spring	(1)
18	33423147	6	Cap	(1) Repairs and replaces 33423122
19	33173108	12	Cotter	(1) (A)
20	3312K014	6	Sleeve	(1) Repairs and replaces 33242112
21	2431154	1	Plug	(1)
22	32417165	6	Plug	(1) Repairs and replaces 32417127
23	32417156	13	Plug	(1) Repairs and replaces 32417122
24	0650563	4	Plug	(1)
25	3612M002	1	Plate	(1) Repairs and replaces 36124433
26	0490485	1	Joint	(1)
27	0826244	6	Stud	(1)
28	0576002	6	Nut	(1)
29	0920053	6	Washer	(1)
30	3681H202	1	Head Gasket	Repairs and replaces 36812613 Repairs and replaces 36812607
31	2116190	2	Dowel	
32	32526319	1	Stud	
33	33531136	1	Nut	Repairs and replaces 33531132
34	32526324	9	Stud	
35	33531136	9	Nut	Repairs and replaces 33531132
36	32526323	4	Stud	
37	33531136	4	Nut	Repairs and replaces 33531132
38	2172142	6	Bolt	
39	32166221	6	Bolt	
40	32166219	12	Bolt	
41	32114501	1	Plug	
42	2431154	1	Plug	
43	0650203	1	Plug	
44	2411157	1	Washer	

(A)
SERVICED IN PAIRS



Buy Now



Our support email:

ebooklibonline@outlook.com