

Page Title	Page Number
ENGINE AND ACCESSORIES - 530 S	2
CYLINDER BLOCK	4
CRANKSHAFT	8
CYLINDER HEAD	12
CYLINDER HEAD COVER	16
ROCKER ARM	18
AIR INDUCTION	20
TIMING GEAR	22
LUBRICATING OIL SYSTEM	24
LUBRICATING OIL COOLER	26
WATER PUMP	28
FUEL PIPINGS	32
FUEL OIL LIFT PUMP	36
FUEL FILTER	38
FUEL INJECTION EQUIPMENT	40
AUXILIARY DRIVE	42
JOINTS AND GASKETS	44
ALTERNATOR POSITIONER	46
ALTERNATOR-LUCAS	48
STARTER-LUCAS - UP TO NO	50
STARTER-LUCAS - FROM NO	52
ELECTRICAL EQUIPMENT - 530 S	54
RADIATOR - 530 S	56
RADIATOR - 530 S- TUBE	58
ROTATING AIR INTAKE - 530 S	60
ROTATING AIR INTAKE - 530 S-LOWER HOUSING	62
ROTATING AIR INTAKE - 530 S-DRIVING	64
FUEL TANK AND ATTACHMENTS - 200 LITRES-530 S	66
FUEL TANK AND ATTACHMENTS - TUBE-530 S	70
FUEL TANK AND ATTACHMENTS - COWL-530 S	72
AIR FILTER - 530 S	74
AIR FILTER - 530 S- DETAIL PROUST	78
AIR PRE FILTER - 530 S	80
EXHAUST SYSTEM - 530 S	82
ENGINE FRAME - 530 S	84
MOTOR COVER - 530 S	88
MOTOR COVER - 530 S- CONTINUATION	92
KNIFE	94
KNIFE	98
KNIFE - 14'	102
WOBBLE DRIVE	106
TABLE DRIVE - 10'	108
TABLE DRIVE - 12'	112
TABLE DRIVE - 14'	116
REEL CONTROL HEADS AND TINE SUPPORT BAR - 10'	120
REEL CONTROL HEADS AND TINE SUPPORT BAR	122
REEL CONTROL HEADS AND TINE SUPPORT BAR - 14'	124
REEL DRIVING SHAFTS AND BEARING SUPPORTS - 10'	126
REEL DRIVING SHAFTS AND BEARING SUPPORTS	128
REEL DRIVING SHAFTS AND BEARING SUPPORTS - 14'	130
CONVEYOR ASSEMBLY APRON AND DRIVES - UNIVERSAL TABLE- 10'	132
CONVEYOR ASSEMBLY APRON AND DRIVES - MAT	136
CONVEYOR ASSEMBLY APRON AND DRIVES - UNIVERSAL TABLE	140
CONVEYOR ASSEMBLY TENSION ROLLER - UNIVERSAL TABLE- 10'	144
CONVEYOR ASSEMBLY TENSION ROLLER - UNIVERSAL TABLE	146
REEL ARMS AND SLOP ASSEMBLIES	148
AUGER - 10'	150
AUGER	156
AUGER - 14'	162
TABLE - 10'	168
TABLE	172
TABLE - 14'	176
DIVIDERS SLOPING	180
DIVIDERS HARPOON	182
ATHC - MECHANICAL- 10'	186
ATHC - MECHANICAL	188

TABLE OF CONTENT

ATHC - MECHANICAL	190
ATHC - MECHANICAL- 10'- NEW MOUNTING	191A
ATHC - MECHANICAL	191C
ATHC - MECHANICAL	191E
SENSING FINGERS - UNIVERSAL TABLE- 10'	192
SENSING FINGERS	194
SENSING FINGERS - UNIVERSAL TABLE	196
CLUTCH	198
TABLE GUARDS	200
TABLE GUARDS - RAPE- 10'	202
TABLE GUARDS - RAPE	204
TABLE GUARDS - RAPE	206
TRANSFER FOR TABLE	208
KNIFE - 10'	210
KNIFE - 12'	212
KNIFE - 14'	214
KNIFE - 16'	216
WOBBLE DRIVE	218
TABLE DRIVE - 10'	220
TABLE DRIVE - 12'	224
TABLE DRIVE - 14'	228
TABLE DRIVE - 16'	232
REEL - 10'	236
REEL - 12'	238
REEL - 14'	240
REEL - 16'	242
REEL DRIVING SHAFTS AND BEARING SUPPORTS	243A
REEL DRIVING SHAFTS AND BEARING SUPPORTS	243C
REEL - DRIVING SHAFTS	244
REEL CARRIER	248
AUGER - 10'	250
AUGER - 12'	254
AUGER - 14'	258
AUGER - 16'	262
TABLE - 10'	266
TABLE - 12'	270
TABLE - 14'	274
TABLE - 16'	278
DIVIDERS SLOPING	282
DIVIDER - TALL CROP	284
DIVIDERS HARPOON	286
ATHC - MECHANICAL	288
ATHC - MECHANICAL	290
ATHC - MECHANICAL	292
ATHC - MECHANICAL	294
SENSING FINGERS - 10'	296
SENSING FINGERS - 12'	298
SENSING FINGERS - 14'	300
SENSING FINGERS - 16'	302
CLUTCH	304
GUARDS-FAN - TABLE	306
TRANSFER FOR TABLE	308
ELEVATOR - 530 S	310
ELEVATOR - MAIZE-PLATE-ANGLE PIECE- - 530 S	314
ELEVATOR - 530 S-UPPER SHAFT	316
ELEVATOR - 530 S-DRUM	318
ELEVATOR - 530 S-CHAIN	320
CYLINDER HOUSING - 530 S- LEFT SIDE	322
CYLINDER HOUSING - 530 S RIGHT SIDE	324
CYLINDER HOUSING - 530 S- INTERNAL COMPONENTS	326
CYLINDER HOUSING - 530 S- DOOR-COVER	328
SEPARATOR CLUTCH - 530 S- CONTROLS	330
SEPARATOR CLUTCH - 530 S	334
REAR BEATER - 530 S-DRIVING	336
REAR BEATER - 530 S	338
CYLINDER - 530 S	340
CYLINDER - 530 S- SEED BEATER-MAIZE	344
CYLINDER - DRIVE GEAR BOX- 530 S	346

TABLE OF CONTENT

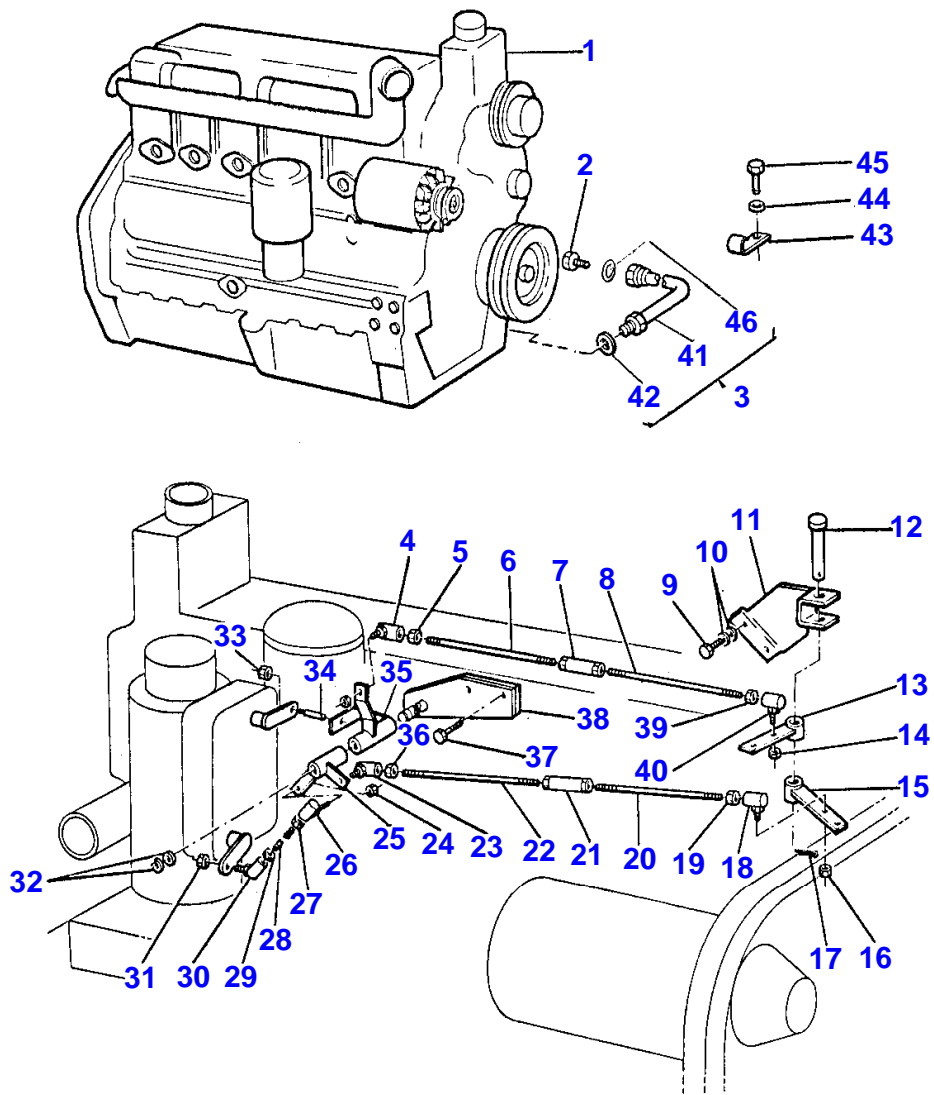
CYLINDER - 530 S- DRIVE	350
CONCAVE - 530 S-UNIVERSAL	352
CONTROL LINKAGE - 530 S	354
CONTROL LINKAGE - 530 S- REAR	358
STONE STRAP - 530 S	362
SHAKER SHOE - 530 S-DOUBLE SHOE	364
SHAKER SHOE - 530 S-TRIPLE SHOE	366
SHAKER SHOE - SHAKER SHOE TRIPLE SHOE ATTACHMENT- 530 S	367A
SHAKER SHOE - 530 S-HILLSIDE KIT	367C
PAN - 530 S-DRIVE	368
PAN - 530 S-DRIVE-TRIPLE SHOE	370
PAN - 530 S	372
PAN - 530 S	376
PAN - 530 S-TRIPLE SHOE	378
PAN - 530 S-SCREEN-MAIZE	380
SCREEN - 530 S-DOUBLE SHOE	382
SCREEN - 530 S-TRIPLE SHOE	384
SCREEN - 530 S-DRIVE	386
FANNING HILL - 530 S	388
SHAKER SHOE DRIVE - 530 S	392
FANNING HILL - 530 S-GUARDS	394
STRAW WALKER - 530 S UPP ERDRIVE	396
STRAW WALKER - 530 S LOWER DRIVE	398
STRAW WALKER - 530 S	400
STRAW WALKER - 530 S DIVIDER	402
STRAW WALKER BODY - 530 S EXTERNAL COMPONENTS	404
STRAW WALKER BODY - 530 S INTERNAL COMPONENTS	408
GLEANINGS ELEVATOR - UPPER COMPONENTS-530 S	410
GLEANINGS ELEVATOR - LOWER COMPONENT-530 S	412
GLEANINGS ELEVATOR - 530 S-SLINGER HOUSING	416
RETURN ELEVATOR ALARM ARRANGEMENT - 530 S	420
ALARM - 530 S	422
MAIN FRAME - 530S REINFORCEMENT	424
MAIN FRAME - 530S- DOOR	428
HOOD - 530 S	430
GRAIN TANK - 530 S- LEFT COMPONENT	432
GRAIN TANK - 530 S- RIGHT COMPONENT	434
GRAIN TANK - 530 S-LOWER COMPONENTS	438
GRAIN TANK - 530 S- LOWER AUGER	440
AUGER AND PITMAN CRANK - 530 S	444
GRAIN TANK - 530 S- EXTENSION- MODEL 83	446
GRAIN TANK - 530 S- CHAINS	450
GRAIN ELEVATOR - 530 S- UPPER COMPONENTS- MODEL 83	452
GRAIN ELEVATOR - 530 S- LOWER COMPONENT	458
GRAIN ELEVATOR - 530 S- CHAINS	460
UNLOADER DRIVE AND CONTROLS - 530 S	462
AUGER LOWER - 530 S	468
AUGER LOWER - LOWER COMPONENT- 530 S	472
AUGER LOWER - 530 S- BANG BOARD	474
TANK FILLING CONTROL - 530 S	476
FLYWHEEL - 530 S	478
TRANSMISSION - RIGHT SIDE-530 S	482
TRANSMISSION - 530 S-LEFT SIDE	488
TRANSMISSION - 530 S-LEFT SIDE-MAIZE GUARD	490
COUNTER SHAFT AND CLUTCH - 530 S	492
COUNTER SHAFT AND CLUTCH - 530 S-LUBRICATION	496
SECONDARY COUNTERSHAFT - 530 S	498
TRACTION DRIVE - VARIATOR- 530 S	500
TRACTION CLUTCH - 530 S	502
TRACTION CLUTCH - DRIVE- 530 S	504
TRACTION CLUTCH - 530 S-PEDAL	506
TRACTION CLUTCH - 530 S-HYDRAULIC	508
FRONT AXLE FINAL DRIVE-4 WHEEL DRIVE - 530 S	510
TRANSMISSION GEAR BOX - 530 S-COVER-HOUSING	514
TRANSMISSION GEAR BOX - 530 S-INPUT SHAFT	516
TRANSMISSION GEAR BOX - 530 S-SECOND MOTION SHAFT	518
TRANSMISSION GEAR BOX - 530 S-SPEED GEAR	520
TRANSMISSION GEAR BOX - 530 S-DIFFERENTIAL	522

TABLE OF CONTENT

TRANSMISSION GEAR BOX - 530 S-DRIVE UPPER COMPONENTS	524
TRANSMISSION GEAR BOX - 530 S-DRIVE LOWER COMPONENTS	528
FRONT AXLE - 530 S	530
HAND BRAKE - 530 S	534
GEARBOX PARKING BRAKE - 530 S-DRIVE	536
GEARBOX PARKING BRAKE - 530 S	538
BRAKES OPERATING - 530 S-HYDRAULIC	540
BRAKES OPERATING - 530 S-PEDAL	542
DRUM BRAKE - 530S	546
OPERATORS PLATFORM - 530 S	548
OPERATORS PLATFORM - 530 S	552
OPERATORS PLATFORM - 530 S-RAIL-LADDER	556
OPERATORS PLATFORM - RICE TRACK LADDER EXTENSION	559A
SEAT-SABLE - 530 S	560
SPRING SUPPORT - 530 S	564
CONTROL PANEL - 530 S-HOUSING	568
CONTROL PANEL - 530 S-GUARD LOWER	572
CONTROL PANEL - 530 S-SOUND INSULATION	574
CONTROL PANEL - 530 S-LEVER	576
CONTROL PANEL - 530S- WITH C-A-H-C- LEVER UP TO SERIAL NO B 11.191 00	582
CONTROL PANEL - WITH C-A-H-C- 530 S- LEVER FROM TO SERIAL NO B 11 191 00	583A
CONTROL PANEL - 530 S-CABLE	584
CONTROL PANEL - 530S- WITH C-A-H-C- CABLE UP TO SERIAL NO B 11.191 00	585A
CONTROL PANEL - WITH C-A-H-C- 530 S- CABLE FROM TO SERIAL NO B 11- 191-00	585C
ATHC - KIT	585E
INSTRUMENTS - 530 S-SUPPORT	586
INSTRUMENTS - 530 S-INSTRUMENTS-SWITCH	588
INSTRUMENTS - 530 S-JUNCTION	592
CAB - FRONT- 530S	594
CAB - REAR- 530 S	596
CAB - RIGHT- 530 S	598
CAB - LEFT- 530 S	600
CAB - CONSOLE 530 S	602
CAB - 530 S-LAT CHLADDER	604
CAB - 530 S-LAT CHRAMP-GERMANY	606
CAB - 530 S-MISCELLANEOUS	608
CAB - 530 S-FLOOR	610
CAB - 530 S-WIRING	612
AIR CONDITIONNER-COMPRESSOR - 530 S-KYSOR	614
AIR CONDITIONNER-COMPRESSOR - 530 S-KYSOR-BRACKET AND ASSEMBLING	616
AIR CONDITIONNER-CONDENSOR - 530 S-KYSOR	618
AIR CONDITIONNER-CONDENSOR - 530 S-BRACKET	622
AIR CONDITIONNER-EVAPORATOR - 530 S-KYSOR	624
AIR CONDITIONNER-EVAPORATOR - 530 S-KYSOR	626
STEERING COLUMN - 530 S	628
STEERING COLUMN - 530 S-HOUSING	630
STEERING COLUMN - 530 S-ADJUSTING	632
STEERING PUMP - 530 S	634
SAFETY BLOCK - 530 S	636
REAR AXLE - 530 S	638
WHEELS - 530 S	640
HYDRAULIC CIRCUIT - 530 S-CONTAINER-PUMP-VALVE	642
HYDRAULIC CIRCUIT - 530 S-REEL	644
HYDRAULIC CIRCUIT - 530 S-TABLE LIFT	646
HYDRAULIC CIRCUIT - 530S TABLE LIFT- WITH A.T.H.C	649A
HYDRAULIC CIRCUIT - 530 S-STEERING	650
HYDRAULIC CIRCUIT - 530 S-TRACTION VARIATOR	654
HYDRAULIC CIRCUIT - 530S REAR BEATER CLUTCH- UP TO SERIAL NU...	656
HYDRAULIC CIRCUIT - 530 S-REAR BEATER CLUTCH- FROM SERIAL NU...	657A
HYDRAULIC CIRCUIT - 530 S-DISCHARGE CHUTE	658
UNLOADER SPOUT ARRANGEMENTS - 530 S	662
HYDRAULIC PUMP - 530 S	664
CONTROL VALVE - 530 S-UPPER COMPONENTS	666
CONTROL VALVE - 530 S-LOWER COMPONENT	668
RAM FOR TRACTION - 530 S	670
RAM FOR STEERING - 530 S	672
RAM FOR TABLE LIFT - 530 S-RIGHT	674
RAM FOR TABLE LIFT - 530 S-LEFT	676

TABLE OF CONTENT

REEL HYDROSTATIC DRIVE - PULLEY	678
REEL HYDROSTATIC DRIVE - UNIVERSAL TABLE- 10'- PINIONS	680
REEL HYDROSTATIC DRIVE - GEAR	684
REEL HYDROSTATIC DRIVE - UNIVERSAL TABLE- 14'- PINIONS	688
REEL HYDROSTATIC DRIVE - NEW PROFILE TABLE	692
REEL HYDROSTATIC DRIVE - NEW PROFILE TABLE	696
REEL HYDROSTATIC DRIVE - NEW PROFILE TABLE	700
REEL HYDROSTATIC DRIVE - NEW PROFILE TABLE	704
HYDRAULIC MOTOR	708
REEL FORE AND AFT HYDRAULICS - UNIVERSAL TABLE- 10'	710
REEL FORE AND AFT HYDRAULICS	712
REEL FORE AND AFT HYDRAULICS - UNIVERSAL TABLE	714
REEL FORE AND AFT HYDRAULICS - NEW PROFILE TABLE	716
REEL FORE AND AFT HYDRAULICS - NEW PROFILE TABLE	718
REEL FORE AND AFT HYDRAULICS - NEW PROFILE TABLE	720
REEL FORE AND AFT HYDRAULICS - NEW PROFILE TABLE	722
REEL LIFT HYDRAULICS - UNIVERSAL TABLE- 10'	724
REEL LIFT HYDRAULICS - UNIVERSAL TABLE	726
REEL LIFT HYDRAULICS - UNIVERSAL TABLE	728
REEL LIFT HYDRAULICS - NEW PROFILE TABLE	730
REEL LIFT HYDRAULICS - NEW PROFILE TABLE	732
REEL LIFT HYDRAULICS - NEW PROFILE TABLE	734
REEL LIFT HYDRAULICS - NEW PROFILE TABLE	736
REEL HYDRAULIC PUMP AND TANK	738
HYDRAULIC CIRCUIT - UNIVERSAL TABLE- 12'-14'- THIRD CYLINDER	739A
RAM FOR REEL LIFT	740
RAM FOR REEL LIFT	742
RAM FOR REEL FORE AND AFT ARRANGEMENT	744
RAM FOR REEL FORE AND AFT ARRANGEMENT - NEW PROFILE TABLE	746
RAM FOR REEL FORE AND AFT ARRANGEMENT	748
LIGHTING - 530 S-FRONT	750
LIGHTING - 530 S-LAMP	752
LIGHTING - 530 S-REAR	754
LIGHTING - 530 S-SIGNALLING	758
LIGHTING - 530 S-HAPPER SPOTLIGHT	760
LIGHTING - 530 S-ROTAING LIGHT-HELLA 45W	762
LIGHTING - 530 S-ROTAING LIGHT-HELLA 21W	764
LIGHTING - 530 S-WORKING LIGHT	766
MISCELLANEOUS - 530 S	768
MISCELLANEOUS - 530 S	770
TRANSFERS - 530 S	772
GUARDS - 530 S- GERMANY	780
WEIGHT FRAME AND WEIGHTS - 530 S- WEIGHT	782
ELEVATOR - 530 S- RICE MACHINES	784
CYLINDER - 530 S RICE MACHINES- CONIC TEEH	786
CYLINDER - 530 S- RICE MACHINE- TEETH WITH SPATULA	788
CONCAVE - 530 S- RICE MACHINE- CONICAL TEETH	790
CONCAVE - 530 S IRICE MACHINE- TEETH WITH SPATULA	792
REAR AXLE - 530 S- RICE MACHINE	794
REAR AXLE - 530 S- RICE MACHINES	798
TRACK CHAIN - 530S	800
TRACK CHAIN - 530S	802
UNDERCARRIAGE - 530S	804
UNDERCARRIAGE - 530S	806
TRACK CHAIN - 530 S- GUARDS RICE TRACK	808



1-0010-082

MASSEY FERGUSON

MF 530 S COMBINE - 1637132

1637132

ENGINE AND ACCESSORIES - 530 S

2

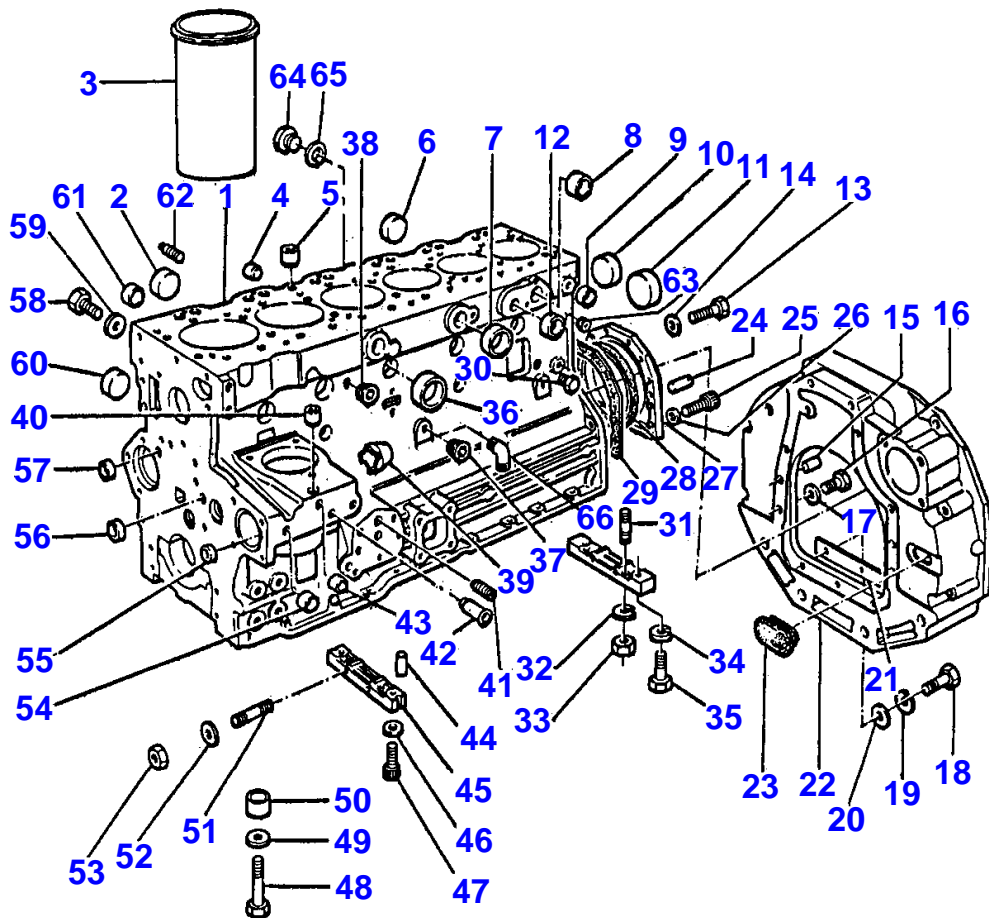
Item	Part Number	Qty	Description	Comments
				530 S
1	3375703M91	1	Engine	6.3544
2	356446X1	1	Plug	
3	3371689M91	1	Hydr Hose	
4	353919X1	1	Nut Unf	
5	353919X1	1	Nut Unf	
6	3044979M1	1	Stem	
7	525396M1	1	Buckle	
	338160X1	1	Nut	
8	3049619M1	1	Stem	
9	353517X1	2	Screw Unf	
10	353446X1	2	Lock Washer	
	353755X1	2	Washer	
11	3049017M91	1	Bearer	
12	195612M1	1	Pin	
13	3044960M91	1	Lever	
14	353919X1	1	Nut Unf	
15	3044963M91	1	Lever	
16	353919X1	1	Nut Unf	
17	354057X1	1	Pin	
18	3052849M1	1	Toggle	
19	353919X1	1	Nut Unf	
20	3049619M1	1	Stem	
21	525396M1	1	Buckle	
	338160X1	1	Nut	
22	3044979M1	1	Stem	
23	3052849M1	1	Toggle	
24	353919X1	2	Nut Unf	
25	3044952M91	1	Lever	
26	3052849M1	1	Toggle	
27	353919X1	1	Nut Unf	
28	3044982M1	1	Stem	
29	353919X1	1	Nut Unf	
30	3045150M91	1	Toggle	
31	357515X1	1	Nut Unf	
32	353756X1	1	Washer	
	355848X1	1	Snapping	
33	358656X1	1	Nut	
34	271675M1	1	Clevis Pin	
35	3044950M91	1	Lever	
36	353919X1	1	Nut Unf	
37	353540X1	2	Screw Unf	
38	3044956M91	1	Bearer	
39	353919X1	1	Nut Unf	
40	3052849M1	1	Toggle	
41		1	Hydr Hose	(3) Not serviced, order 3371689M91
42	831497M1	1	O Ring	(3)
43	360059X1	1	Tie	
44	356446X1	1	Plug	
45	353516X1	1	Screw Unf	
46	831497M1	1	O Ring	(3)

4

BLOC CYLINDRES
 ZYLINDERBLOCK
 BLOCCO CILINDRI
 BLOQUE DE CILINDROS
 CYLINDER BLOCK

00501018

1 0050 038



1-0050-038

CYLINDER BLOCK

Item	Part Number	Qty	Description	Comments
1	63621	1	Cylinder Block	
2	0650618	6	Plug	(1)
3	31358393	6	Liner	(1) (A) (B)
3	31358394	6	Liner	(B)
4	32417133	1	Plug	
5	32417134	1	Plug	
6	32418117	5	Plug	
7	0650710	4	Plug	(1)
8	0650618	1	Plug	
9	0650563	1	Plug	
10	32418117	2	Plug	
11	32416105	1	Plug	
12	0650692	1	Plug	
13	0746211	10	Bolt	
14	0920003	10	Washer	
15	32455119	2	Dowel	
16	0746424	6	Bolt	
17	33115129	6	Washer	
18	0746253	3	Screw	
19	0920053	3	Washer	
20	0920003	3	Washer	
21	36125305	1	Cover	
22	37147644	1	Plate	
23	37813113	1	Plug	
24	0350009	2	Dowel	
25	2172530	2	Capscrew	
26	33112111	2	Washer	
27	37513851	1	Housing	
28	2418F475	1	Seal	Repairs and replaces 2415391
29	36817157	1	Joint	
30	32161114	2	Plug	
31	0826214	4	Stud	
32	0920053	4	Washer	
33	0576002	4	Nut	
34	0920521	2	Washer	
35	2176369	2	Screw	
36	32418121	5	Plug	Repairs and replaces 32417155
37	2431131	2	Plug	
38			Not Used	
39	32813108	1	Cover	
40	32417134	2	Plug	
41	0650586	1	Plug	
42	33435133	1	Tube	
43	32417143	1	Plug	
44	32811408	4	Joint	
45	36277831	2	Bridge Piece	
46	0920521	2	Washer	
47	2176369	2	Screw	
48	32166329	14	Bolt	(1)
49	33121421	14	Washer	
50	33142111	14	Thimble	(1)
51	0826201	2	Stud	
52	0920053	2	Washer	
53	0576002	2	Nut	
54	32417127	2	Plug	
55	32417115	1	Plug	
56	0650566	2	Plug	
57	32417115	2	Plug	
58	32168231	4	Plug	
59	2411157	4	Washer	
60	0650710	1	Plug	
61	32417117	1	Plug	
62	0650586	1	Plug	
63	0650593	1	Plug	
64	32161317	1	Plug	
65	2411156	1	Washer	
66			Not Used	

(A)

MASSEY FERGUSON

MF 530 S COMBINE - 1637132

1637132

CYLINDER BLOCK

4

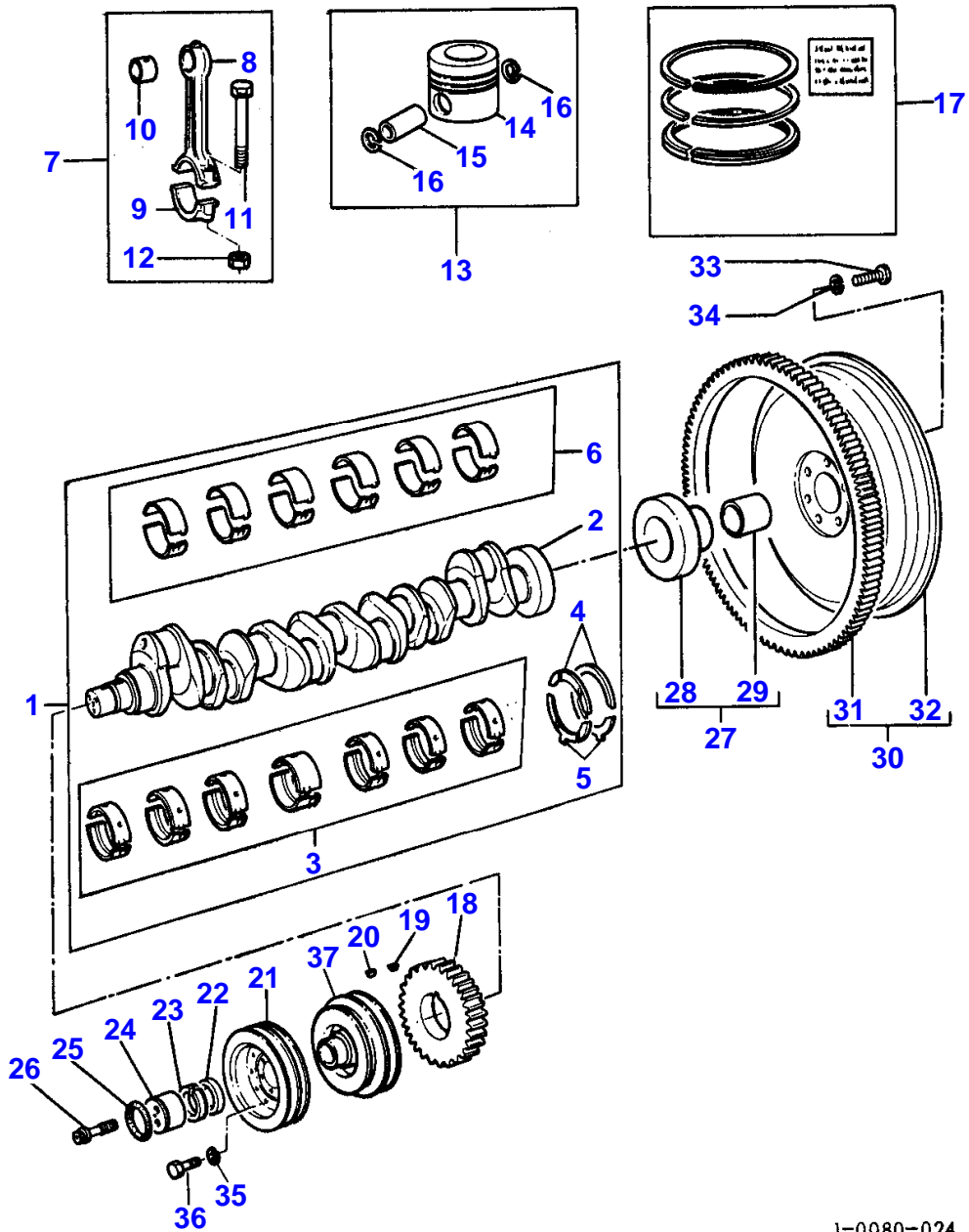
Item	Part Number	Qty	Description	Comments
				PRESS FIT
				(B)
				SLIP FIT

8

VILEBREQUIN
 KURBELWELLE
 ALBERO A MANOVELLA
 CIGUENAL
 CRANKSHAFT

00801012

1 0080 024



1-0080-024

CRANKSHAFT

Item	Part Number	Qty	Description	Comments
1	68076	1	Kit, Crankshaft	
2		1	Crankshaft	(1) Not serviced, order REF NO 1
3	68079	1	Kit, Bearing	(1) (C)
3	68079A	X	Kit, Bearing	(C) Thickness -0,25MM
3	68079B	X	Kit, Bearing	(C) Thickness -0,50MM
3	68079C	X	Kit, Bearing	(C) Thickness -0,75MM
4	31137311	2	Washer	(1)
	31137312	X	Thrust Washer	Thickness +0,17MM
5	31137321	2	Washer	(1)
	31137322	X	Thrust Washer	Thickness +0,17MM
6	85043	1	Kit, Bearing	(1)
	85043A	X	Kit, Bearing	(C) Thickness -0,25MM
6	85043B	X	Kit, Bearing	(C) Thickness -0,50MM
6	85043C	X	Kit, Bearing	(C) Thickness -0,75MM
7	M7BJ0015	6	Kit, Conrod	Repairs and replaces 84920
8		1	Piston Rod	(7) Not serviced, order REF NO 7
9		1	Cap	(7) Not serviced, order REF NO 7
10	31134123	1	Bush	(7)
11	32762116	2	Bolt	(7)
12	33221328	2	Nut	(7) Repairs and replaces 33221321
13	68393	6	Piston	(B) From Serial or Engine Number
13	86740	6	Kit, Piston	(B) Up to Serial or Engine Number
13	68314	6	Kit, Piston	(A) Up to Serial or Engine Number
13	68392	6	Piston	(A) From Serial or Engine Number
14		1	Piston	(13) Not serviced, order REF NO 13
15		1	Piston Pin	(13) Not serviced, order REF NO 13
16	0170002	2	Circlip	(13)
17	41158017	6	Kit, Piston Ring	
18	31171211	1	Gear,Crankshaft	
19	0500012	1	Woodruff Key	
20	0500005	1	Woodruff Key	
21	31153111	1	Pulley,Crank	
22	33125412	1	Spacer	
23	2417711	1	Element	
24	32418313	1	Thrust Plate	
25	2415638	1	O Ring	
26	32186133	3	Screw	
27	41425216	1	Adaptor	
28		1	Adaptor	(27) Not serviced, order 41425216
29	2513246	1	Bush	(27)
30	41117088	1	Flywheel	
31	0410264	1	Gear,Starterring	(30)
32		1	Flywheel	(30) Not serviced, order 41117088
33	0746853	6	Bolt	
34	33117121	6	Washer	
35			Not Used	
36			Not Used	
37	2635674	1	Pulley,Crank	From Serial or Engine Number
	2635679	1	Pulley,Crank	Up to Serial or Engine Number

(A)

CRANKSHAFT

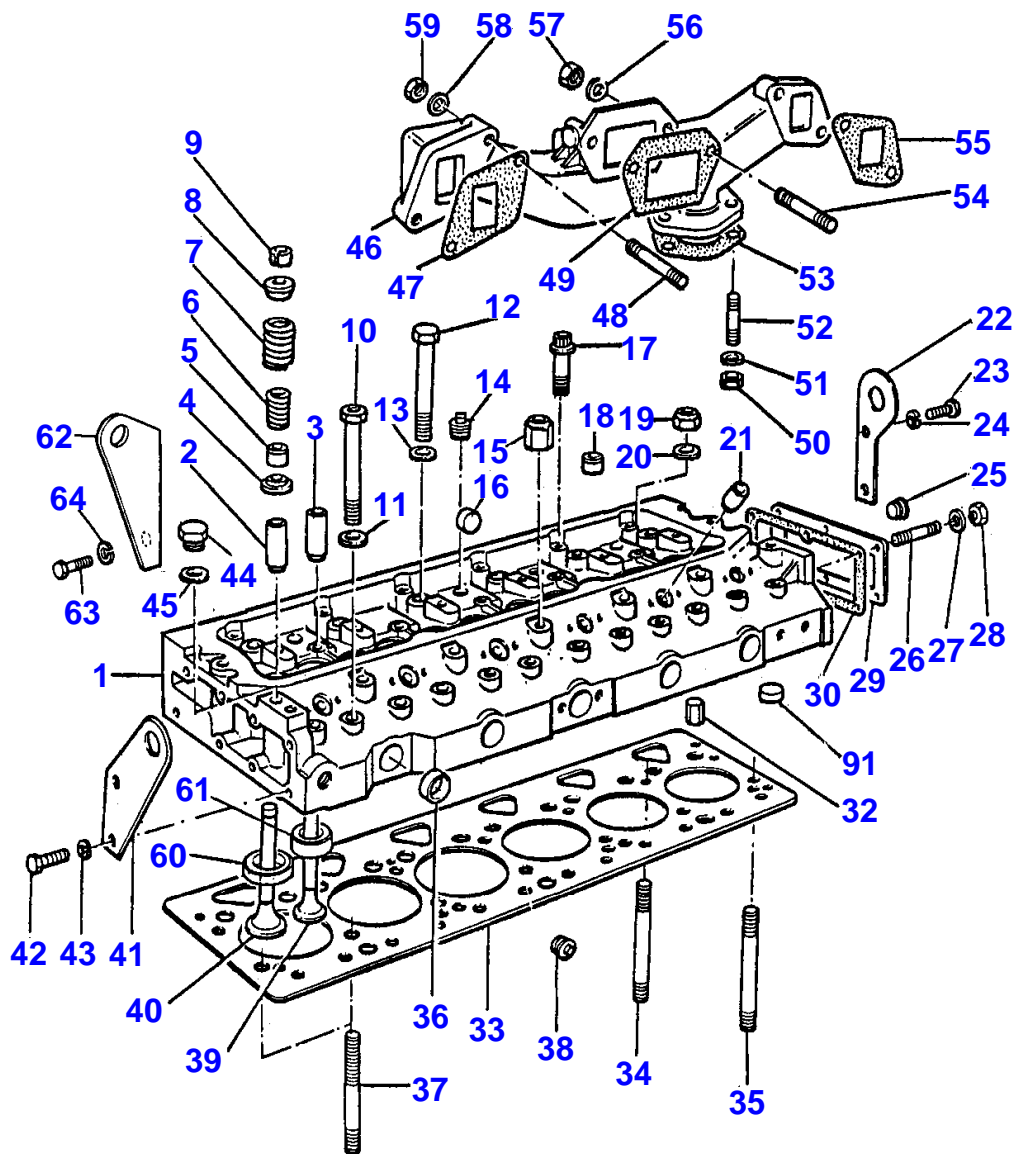
Item	Part Number	Qty	Description	Comments
				UNTOPPED
				(B) PRE-TOPPED
				(C) PRE-FINISHED

12

CULASSE
 ZYLINDERKOPF
 TESTATA
 CULATA
 CYLINDER HEAD

00751014

1 0075 038



1-0075-038

Buy Now



Our support email:

ebooklibonline@outlook.com