

Page Title	Page Number
ENGINE AND ACCESSORIES - ENGINE . ROD . DRAIN	2
CYLINDER BLOCK - A6.354.4 ENGINE	6
FLYWHEEL HOUSING - A6.354.4 ENGINE	10
FLYWHEEL AND STARTER RING - A6.354.4 ENGINE	12
CRANKSHAFT, PISTONS AND CONNECTING RODS - A6.354.4 ENGINE	14
CYLINDER HEAD - A6.354.4 ENGINE	18
ROCKER SHAFT - A6.354.4 ENGINE	20
INDUCTION MANIFOLD - A6.354.4 ENGINE	24
EXHAUST MANIFOLD - A6.354.4 ENGINE	26
ENGINE LIFTING - A6.354.4 ENGINE	28
TIMING GEAR AND CAMSHAFT - A6.354.4 ENGINE	30
FRONT END DRIVE INPUT AND OUTPUT - A6.354.4 ENGINE	34
AUXILIARY DRIVE - A6.354.4 ENGINE	36
GEAR DRIVE AUXILIARY DRIVE OPTIONS - A6.354.4 ENGINE	38
LUBRICATING OIL PUMP AND DELIVERY HOUSING - A6.354.4 ENGINE	40
LUBRICATING OIL SUMP - A6.354.4 ENGINE	42
LUBRICATING OIL FILLER AND BREATHER - A6.354.4 ENGINE	44
LUBRICATING OIL FILTER AND INTEGRAL COOLER - A6.354.4 ENGINE	46
WATER PUMP, THERMOSTAT AND HEAT EXCHANGER - A6.354.4 ENGINE	48
WATER OUTLET AND INLET - A6.354.4 ENGINE	52
FAN AND EXTENSION - A6.354.4 ENGINE	54
FUEL INJECTION EQUIPMENT (DIESEL) - A6.354.4 ENGINE	56
COLD START SYSTEM - A6.354.4 ENGINE	60
LOW PRESSURE FUEL SYSTEM - A6.354.4 ENGINE	62
JOINTS AND GASKETS-TOP SERVICE KIT - A6.354.4 ENGINE	66
JOINTS AND GASKETS-BOTTOM SERVICE KIT - A6.354.4 ENGINE	68
STARTER MOTOR - A6.354.4 ENGINE	70
STARTER-LUCAS - DETAIL	72
ALTERNATOR AND GENERATOR - A6.354.4 ENGINE	74
ALTERNATOR-LUCAS - DETAIL	76
ALTERNATOR-LUCAS - DETAIL	78
ELECTRICAL EQUIPMENT	80
RADIATOR	82
RADIATOR - TUBES	84
ROTATING AIR INTAKE	86
FUEL TANK AND ATTACHMENTS	88
FUEL TANK AND ATTACHMENTS - TUBE	90
FUEL TANK AND ATTACHMENTS - COWL	92
AIR FILTER	94
AIR FILTER - DETAIL	96
AIR PRE FILTER	98
EXHAUST SYSTEM	100
ENGINE FRAME	102
MOTOR COVER	104
MOTOR COVER - PARTITION	108
ELEVATOR	110
ELEVATOR - UPPER SHAFT	114
ELEVATOR - DRUM	116
ELEVATOR - CHAIN	118
CYLINDER HOUSING - LEFT SIDE	120
CYLINDER HOUSING - RIGHT SIDE	122
CYLINDER HOUSING - INTERNAL COMPONENTS	124
CYLINDER HOUSING - DOOR-COVER	126
SEPARATOR CLUTCH - CONTROLS	128
SEPARATOR CLUTCH	132
REAR BEATER - DRIVING	134
REAR BEATER	136
CYLINDER	138
CYLINDER - DRIVE GEAR BOX	142
CYLINDER - DRIVE	146
CONCAVE - UNIVERSAL	148
CONTROL LINKAGE	150
CONTROL LINKAGE - REAR	154
STONE STRAP	158
CASCADE SEPARATOR - HOOD-DOOR	160
CASCADE SEPARATOR - HOOD - INTERNAL COMPONENTS	162

TABLE OF CONTENT

CASCADE SEPARATOR - BELT - DRIVE	164
CASCADE SEPARATOR - GRAIN ELEVATOR - LOWER COMPONENT	166
CASCADE SEPARATOR - GRAIN ELEVATOR - UPPER COMPONENT	170
CASCADE SEPARATOR - CONTROL	174
CASCADE SEPARATOR - MECHANISM	176
CASCADE SEPARATOR - GUARDS - INTERNAL COMPONENTS	178
CASCADE SEPARATOR - GUARDS - EXTERNAL COMPONENTS	182
CASCADE SEPARATOR - MISCELLANEOUS	184
SHAKER SHOE - SHAKER SHOE DOUBLE SHOE - INTERNAL COMPONENTS	186
SHAKER SHOE - SHAKER SHOE DOUBLE SHOE - EXTERNAL COMPONENTS	188
SHAKER SHOE - SHAKER SHOE DOUBLE SHOE - EXTERNAL COMPONENTS	190
SHAKER SHOE - HILLSIDE KIT	192
SCREEN - UPPER SHOE , SHAKER SHOE DOUBLE SHOE	194
SCREEN - LOWER SHOE , SHAKER SHOE DOUBLE SHOE	196
FANNING HILL	198
FANNING HILL - GUARDS	202
SHAKER SHOE DRIVE	204
PAN	206
PAN - CONTROLS	208
STRAW WALKER - UPPER DRIVE	210
STRAW WALKER - LOWER DRIVE	212
STRAW WALKER	214
STRAW WALKER BODY - EXTERNAL COMPONENTS	216
STRAW WALKER BODY - INTERNAL COMPONENTS	220
GLEANINGS ELEVATOR - UPPER COMPONENTS	222
GLEANINGS ELEVATOR - LOWER COMPONENT	224
GLEANINGS ELEVATOR - SLINGER HOUSING	228
RETURN ELEVATOR ALARM ARRANGEMENT	232
ALARM	234
MAIN FRAME	236
MAIN FRAME - REINFORCEMENT	238
MAIN FRAME - DOOR	240
HOOD	242
GRAIN TANK - LEFT COMPONENT	244
GRAIN TANK - RIGHT COMPONENT	246
GRAIN TANK - EXTENSION	248
GRAIN TANK - LOWER COMPONENT	250
GRAIN TANK - LOWER AUGER	252
GRAIN TANK - REAR PANEL	254
AUGER AND PITMAN CRANK	256
GRAIN ELEVATOR - UPPER COMPONENTS	258
GRAIN ELEVATOR - LOWER COMPONENT	262
GRAIN ELEVATOR - CHAIN	264
UNLOADER DRIVE AND CONTROLS	266
AUGER LOWER - SPOUT	270
AUGER LOWER - MECHANISM	272
FLYWHEEL	274
TRANSMISSION - RIGHT SIDE	278
TRANSMISSION - LEFT SIDE	282
COUNTER SHAFT AND CLUTCH	284
COUNTER SHAFT AND CLUTCH - LUBRICATION	288
SECONDARY COUNTERSHAFT	290
TRACTION DRIVE - VARIATOR	292
TRACTION CLUTCH	294
TRACTION CLUTCH - CONTROLS	296
TRACTION CLUTCH - PEDAL	298
FRONT AXLE FINAL DRIVE-4 WHEEL DRIVE	300
TRANSMISSION GEAR BOX	302
TRANSMISSION GEAR BOX - CONTROL	306
FRONT AXLE	310
FRONT WHEELS	312
HAND BRAKE	314
BRAKES OPERATING - PARKING	316
BRAKES OPERATING - PARKING	318
BRAKES OPERATING - HYDRAULIC	320
BRAKES OPERATING - PEDAL	324
BRAKES OPERATING - PEDAL	326
DRUM BRAKE	328

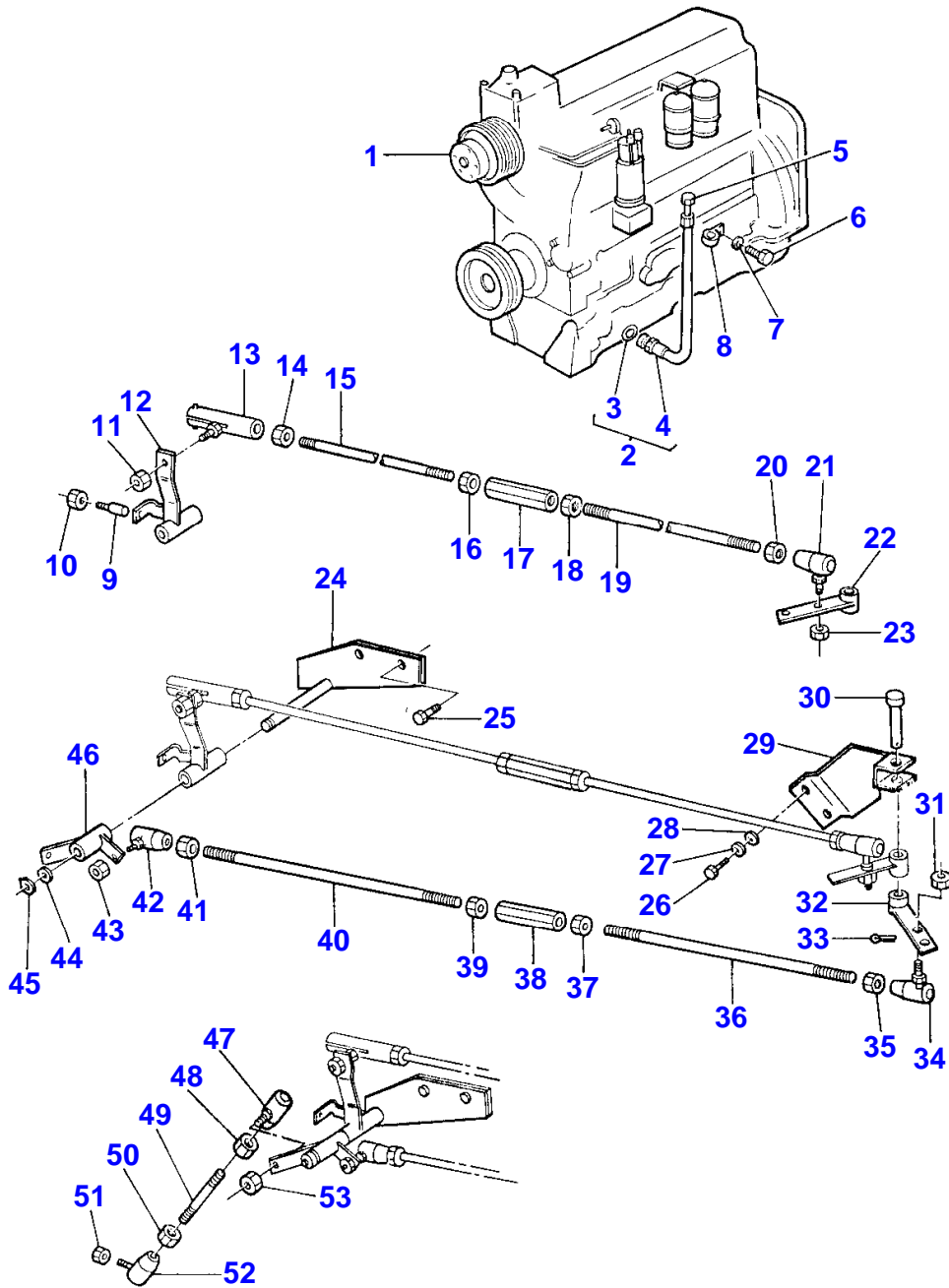
TABLE OF CONTENT

OPERATORS PLATFORM	330
OPERATORS PLATFORM - CONTROLS	334
OPERATORS PLATFORM - RAIL WITHOUTCAB	336
OPERATORS PLATFORM - RAIL WITHCAB	338
OPERATORS PLATFORM	340
SEAT - SIFRA GL14	342
SPRING SUPPORT	344
SPRING SUPPORT - WITHOUTCAB	346
CONTROL PANEL - HOUSING	348
CONTROL PANEL - GUARD LOWER	352
CONTROL PANEL - SOUND INSULATION	354
CONTROL PANEL - LEVER	356
CONTROL PANEL - LEVER WITH A.T.H.C	360
CONTROL PANEL - CABLE	362
CONTROL PANEL - CABLE WITH A.T.H.C	364
INSTRUMENTS - SUPPORT	366
INSTRUMENTS - INSTRUMENTS-SWITCH	368
INSTRUMENTS - JUNCTION	374
CAB - FRONT	376
CAB - REAR	378
CAB - RIGHT	380
CAB - LEFT	382
CAB - CONSOLE	384
CAB - MISCELLANEOUS	386
CAB - FLOOR	388
CAB - WIRING	390
AIR CONDITIONNER-COMPRESSOR - KYSOR	392
AIR CONDITIONNER-COMPRESSOR - KYSOR-BRACKET AND ASSEMBLING	394
AIR CONDITIONNER-CONDENSOR - KYSOR	396
AIR CONDITIONNER-CONDENSOR - BRACKET	400
AIR CONDITIONNER-EVAPORATOR - KYSOR	402
AIR CONDITIONNER-EVAPORATOR - KYSOR	404
STEERING COLUMN	406
STEERING COLUMN - HOUSING	408
STEERING COLUMN - ADJUSTING	410
STEERING PUMP	412
SAFETY BLOCK	414
REAR AXLE	416
REAR AXLE - IMPELLER HUB	418
REAR WHEELS	420
HYDRAULIC CIRCUIT - CONTAINER-PUMP-VALVE	422
HYDRAULIC CIRCUIT - REEL	424
HYDRAULIC CIRCUIT - TABLE LIFT	426
HYDRAULIC CIRCUIT - TABLE LIFT- WITH A.T.H.C	428
HYDRAULIC CIRCUIT - STEERING	432
HYDRAULIC CIRCUIT - TRACTION VARIATOR	436
HYDRAULIC CIRCUIT - REAR BEATER CLUTCH	438
HYDRAULIC CIRCUIT - DISCHARGE CHUTE	440
HYDRAULIC PUMP	444
CONTROL VALVE - UPPER COMPONENTS	446
CONTROL VALVE - LOWER COMPONENT	448
RAM FOR TRACTION	450
RAM FOR STEERING	452
RAM FOR TABLE LIFT - RIGHT	454
RAM FOR TABLE LIFT - LEFT	456
UNLOADER SPOUT ARRANGEMENTS	458
LIGHTING - FRONT	460
LIGHTING - LAMP	462
LIGHTING - REAR	464
LIGHTING - HARNESS- REAR	466
LIGHTING - SIGNALLING	468
LIGHTING - ROTATING LIGHT-S.E.V	470
LIGHTING - SUPPORT (REFLECTOR)	472
LIGHTING - REAR	474
MIRRORS	476
TOOLS	478
TRANSFERS	480
TRANSFERS	482

TABLE OF CONTENT

00

WHEEL WEDGES	486
KIT DRIVE RIGHT HAND FOR 5 ROWS CORN HEADER - CODE 510	488
CAB HEATING KIT - CODE 511	490
RAM FOR TABLE LIFT-3RD.RAM - CODE 512	492
RAM FOR TABLE LIFT-3RD.RAM - CODE 512	494
STRAWWALKER RISERS - CODE 517	496
HEIGHT CUT OFF INDICATOR KIT - CODE 562	498
WEIGHT FRAME AND WEIGHTS	500
MAIZE EQUIPMENT - CODE 545	502
FANNING MILL BLADES-SMALL SEED	506
CAB - CODE 563- 565	508



1-0010-090

MASSEY FERGUSON

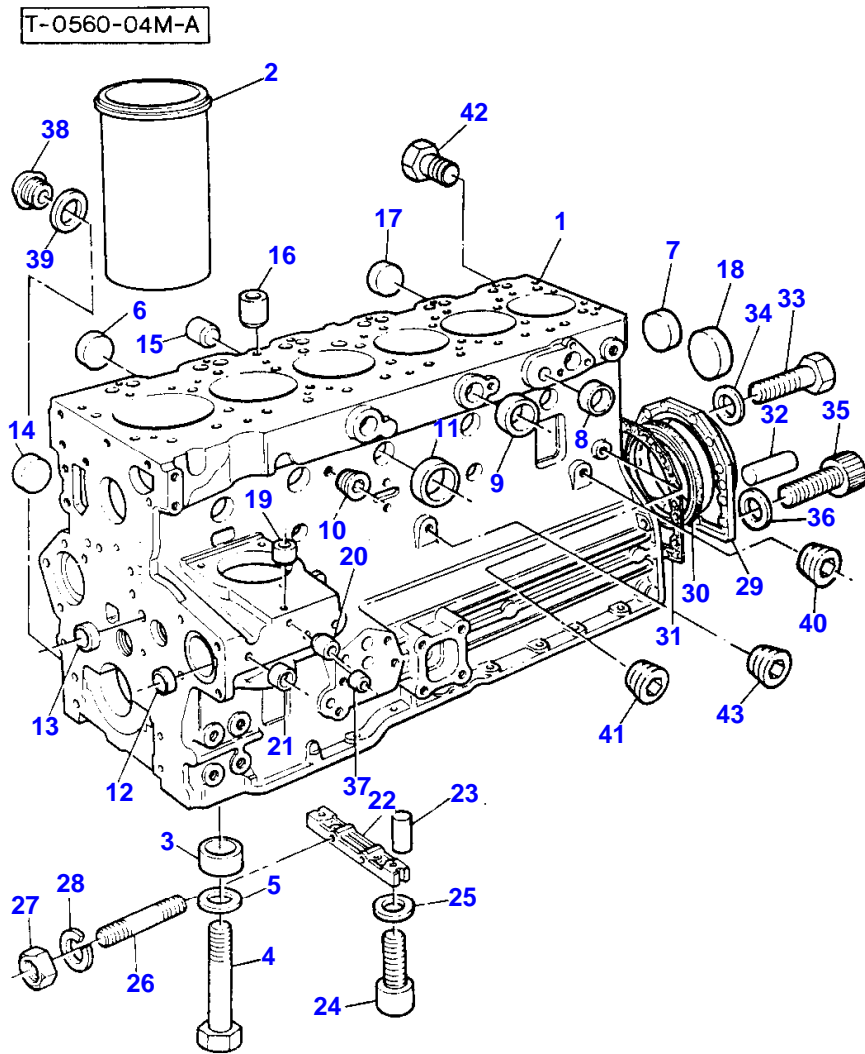
MF 800/805 COMBINES - 1637136

1637136

ENGINE AND ACCESSORIES - ENGINE . ROD . DRAIN

2

Item	Part Number	Qty	Description	Comments
				ENGINE . ROD . DRAIN
1	3049557M92	1	Engine	
2	3371689M91	1	Hydr Hose	
3	831497M1	2	O Ring	(2)
4		1	Hydr Hose	(2)
5	356446X1	1	Plug	
6	361444X1	1	Screw	
7	0920053	1	Washer	
8	360059X1	1	Tie	
9	271675M1	1	Clevis Pin	
10	358656X1	1	Nut	
11	0576150	1	Nut	
12	3044950M91	1	Lever	
13	3045157M91	1	Toggle	
14	0576150	1	Nut	
15	3044979M1	1	Stem	
16	0576150	1	Nut	
17	525396M1	1	Buckle	
18	338160X1	1	Nut	
19	3049619M1	1	Stem	
20	0576150	1	Nut	
21	3052849M1	1	Toggle	
22	3044960M91	1	Lever	
23	0576150	1	Nut	
24	3044956M91	1	Bearer	
25	353540X1	2	Screw Unf	
26	353517X1	2	Screw Unf	
27	0920053	2	Washer	
28	0920497	2	Washer	
29	3049017M91	1	Bearer	
30	195612M1	1	Pin	
31	0576150	1	Nut	
32	3044963M91	1	Lever	
33	354057X1	1	Pin	
34	3052849M1	1	Toggle	
35	0576150	1	Nut	
36	3049619M1	1	Stem	
37	338160X1	1	Nut	
38	525396M1	1	Buckle	
39	0576150	1	Nut	
40	3044979M1	1	Stem	
41	0576150	1	Nut	
42	3052849M1	1	Toggle	
43	0576150	1	Nut	
44	353756X1	1	Washer	
45	355848X1	1	Snpring	
46	3044952M91	1	Lever	
47	3052849M1	1	Toggle	
48	0576150	1	Nut	
49	3044982M1	1	Stem	
50	0576150	1	Nut	
51	0576150	1	Nut	
52	3052849M1	1	Toggle	
53	0576150	1	Nut	



Item	Part Number	Qty	Description	Comments
				A6.354.4 ENGINE
1	ZZ 50041	1	Kit,Cyl.Block	Repairs and replaces M7BA0441
2	31358393	6	Liner	Repairs and replaces 63621 (1) (A)
2	31358394	X	Liner	(B)
	31358398	X	Liner	Repairs and replaces 31358403 Thickness (+) 0.010" Thickness (+) 0.25MM
3	33142111	14	Thimble	(1)
4	32166329	14	Bolt	(1)
5		14	Washer	(E)
6	32418117	6	Plug	(1) Repairs and replaces 0650618
7	32418117	2	Plug	(1) Repairs and replaces 0650618
8	0650692	1	Plug	(1) Repairs and replaces 0650664
9	0650710	4	Plug	(1)
10	2431A054	1	Plug	(1) Repairs and replaces 0650586
11	32416116	5	Plug	(1) Repairs and replaces 32417155 Repairs and replaces 32418121
12	32417115	1	Plug	
13	0650566	2	Plug	
14	0650710	1	Plug	
15	32417133	1	Plug	
16	32417134	1	Plug	
17	32418117	6	Plug	Repairs and replaces 0650618
18	32416105	1	Plug	
19	32417134	1	Plug	
20	32417134	1	Plug	
21	32417127	2	Plug	
22	3627P011	1	Bridge Piece	Repairs and replaces 36277825 Repairs and replaces 36277833
23	32811408	2	Joint	(D)
24	2172514	2	Screw	Repairs and replaces 2176369
25	0920521	2	Washer	(D)
26	0826201	2	Stud	
27	0576002	2	Nut	
28	0920053	2	Washer	
29	4142V064	1	Housing	Repairs and replaces 4142V061 Repairs and replaces 4142V031 Repairs and replaces 37513851
30	2418F475	1	Seal	(29) Repairs and replaces 2415391
31	36817157	1	Joint	
32	0350009	2	Dowel	
33	0746211	10	Bolt	
34	0920003	10	Washer	
35	2172530	2	Capscrew	
36	33112111	2	Washer	
37	32417143	1	Plug	
38	32168232	4	Plug	Repairs and replaces 32168231
39	2411157	4	Washer	
40	2431131	1	Plug	
41	0650593	1	Plug	
42	32161357	1	Plug	Repairs and replaces 32161114
43	2431131	1	Plug	

(A)
PRESS FIT

(B)
SLIP FIT

(D)

MASSEY FERGUSON

MF 800/805 COMBINES - 1637136

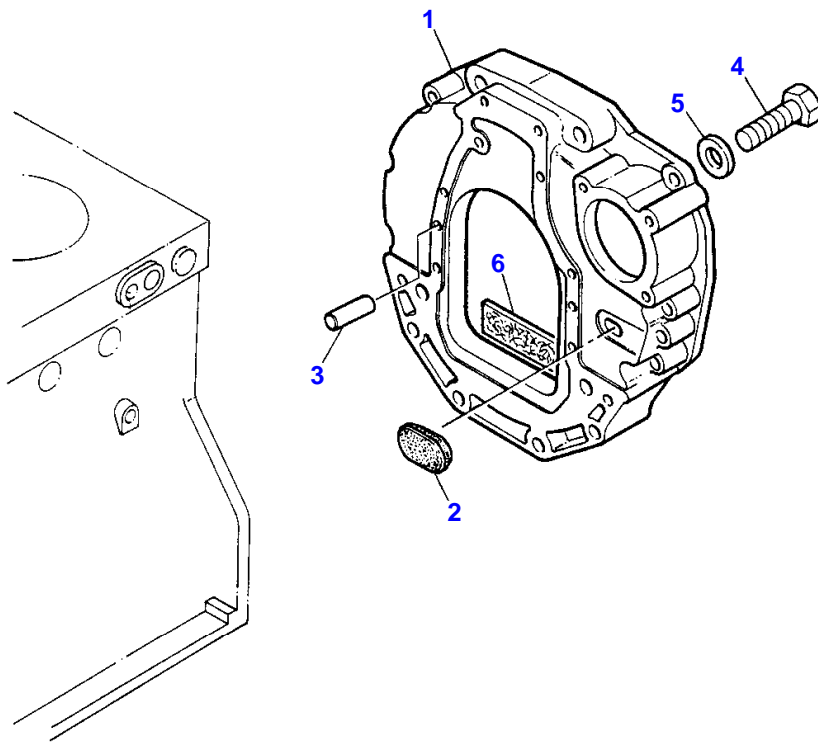
1637136

CYLINDER BLOCK - A6.354.4 ENGINE

6

Item	Part Number	Qty	Description	Comments
				USED ONLY WITH 36277831/36277833. NOT REQUIRED WITH 36277825/3627P011.
				(E) NO LONGER REQUIRED ON THIS APPLICATION

T-0596-04M-A



MASSEY FERGUSON

MF 800/805 COMBINES - 1637136

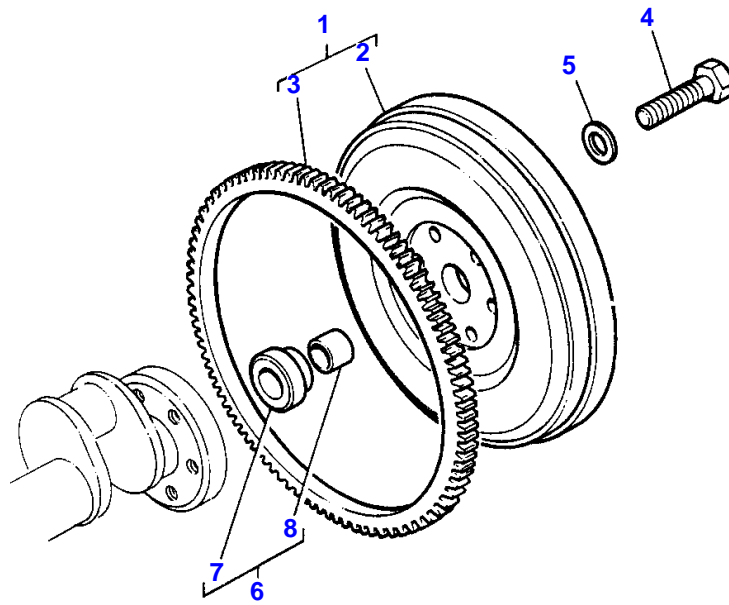
1637136

FLYWHEEL HOUSING - A6.354.4 ENGINE

10

Item	Part Number	Qty	Description	Comments
				A6.354.4 ENGINE
1	37147644	1	Plate	
2	37813113	1	Plug	
3	32455119	2	Dowel	
4	0746424	6	Bolt	
5	33115129	6	Washer	
6	36843154	1	Cover	(A)
				(A)
				WAS 36125305/0746253(3)/0920003(3)/0920053(3)

T-0600-02M-A

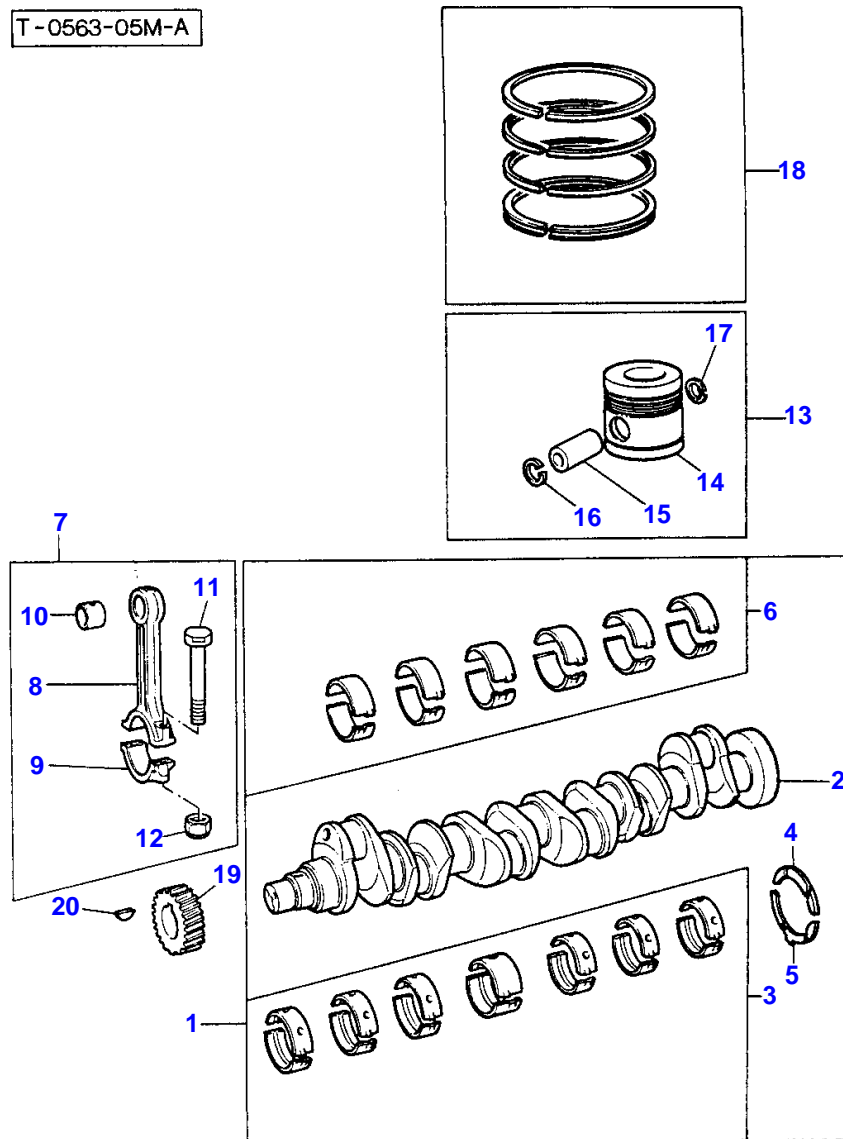


12

FLYWHEEL AND STARTER RING - A6.354.4 ENGINE

Item	Part Number	Qty	Description	Comments
				A6.354.4 ENGINE
1	41117291	1	Flywheel	Repairs and replaces 41117088
2		1	Flywheel	(1) Not serviced, order REF 1
3	0410264	1	Gear,Starterring	(1) Number of teeth/spines 122
4	0746853	6	Bolt	
5	33117127	6	Washer	Repairs and replaces 33117121
6	41425217	1	Adaptor	Repairs and replaces 41425216
7		1	Adaptor	(6) Not serviced, order REF.6
8	2513246	1	Bush	(6)

T-0563-05M-A



Buy Now



Our support email:

ebooklibonline@outlook.com